



US00D460548S

(12) **United States Design Patent**
Melwani

(10) **Patent No.:** **US D460,548 S**

(45) **Date of Patent:** **** Jul. 16, 2002**

(54) **ELECTRIC FAN**

D332,655 S * 1/1993 Lytle et al. D23/378
D389,567 S * 1/1998 Gudfin D23/370

(75) Inventor: **Ravin G Melwani**, Kowloon (HK)

* cited by examiner

(73) Assignee: **B. K. Rekhatex (H.K.) Ltd.**, Kowloon (HK)

Primary Examiner—Lisa Lichtenstein

(74) *Attorney, Agent, or Firm*—Leydig, Voit & Mayer, Ltd.

(**) Term: **14 Years**

(57) **CLAIM**

(21) Appl. No.: **29/153,215**

The ornamental design for an electric fan, as shown and described.

(22) Filed: **Jan. 9, 2002**

(30) **Foreign Application Priority Data**

DESCRIPTION

Oct. 17, 2001 (HK) 0111570

FIG. 1 is a front and left side perspective view of an electric fan showing my new design;

(51) **LOC (7) Cl.** **23-04**

FIG. 2 is a rear and left side perspective view thereof;

(52) **U.S. Cl.** **D23/378**

FIG. 3 is a front elevational view thereof;

(58) **Field of Search** D23/378, 370,
D23/381, 335, 337, 332; 415/53.1, 53.2,
53.3; 416/244 R, 247 R

FIG. 4 is a rear elevational view thereof;

FIG. 5 is a left side elevational view thereof;

FIG. 6 is a right side elevational view thereof;

FIG. 7 is a top plan view thereof; and,

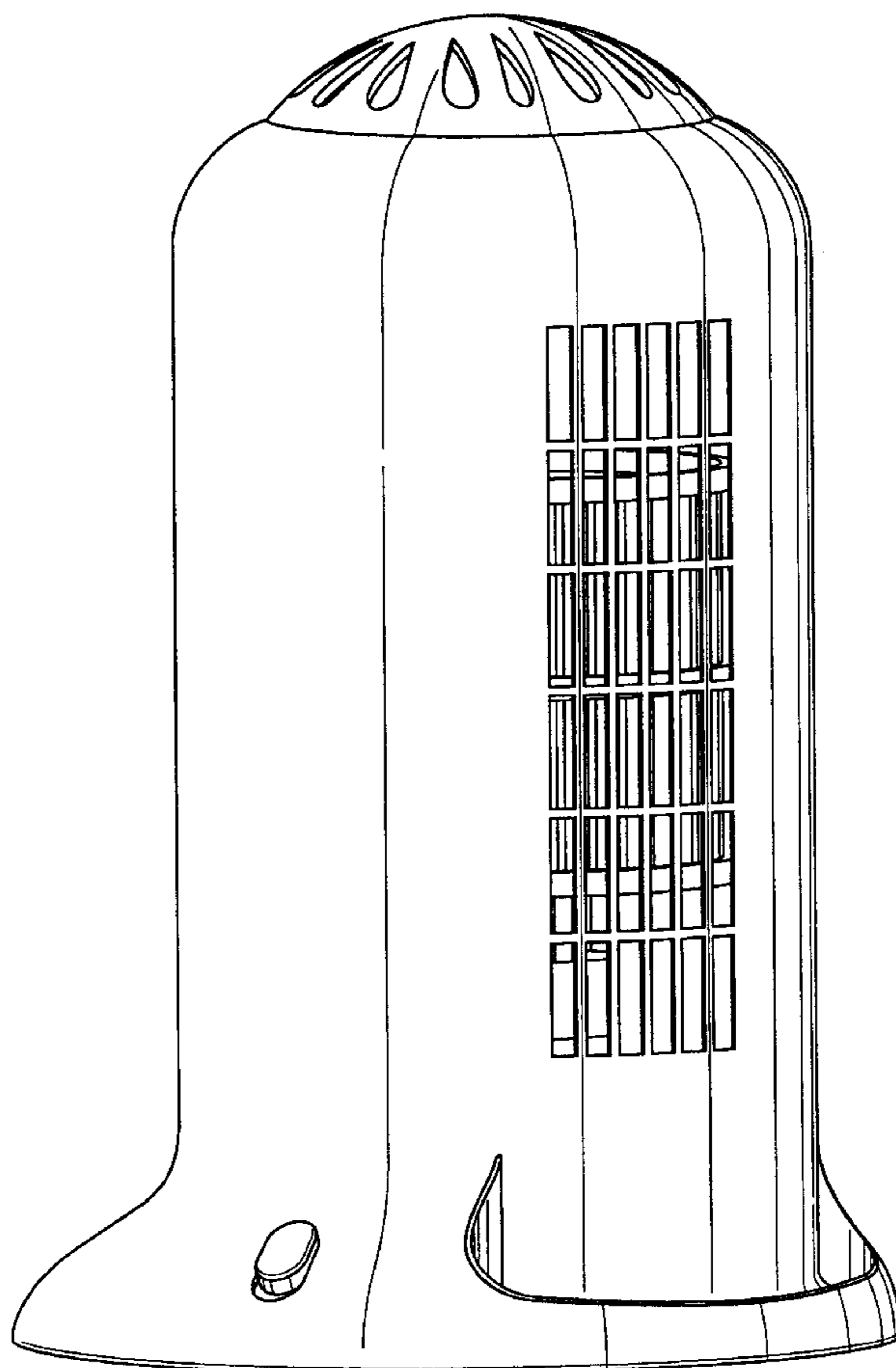
FIG. 8 is a bottom plan view thereof.

(56) **References Cited**

U.S. PATENT DOCUMENTS

D329,284 S * 9/1992 Patton D23/378

1 Claim, 7 Drawing Sheets



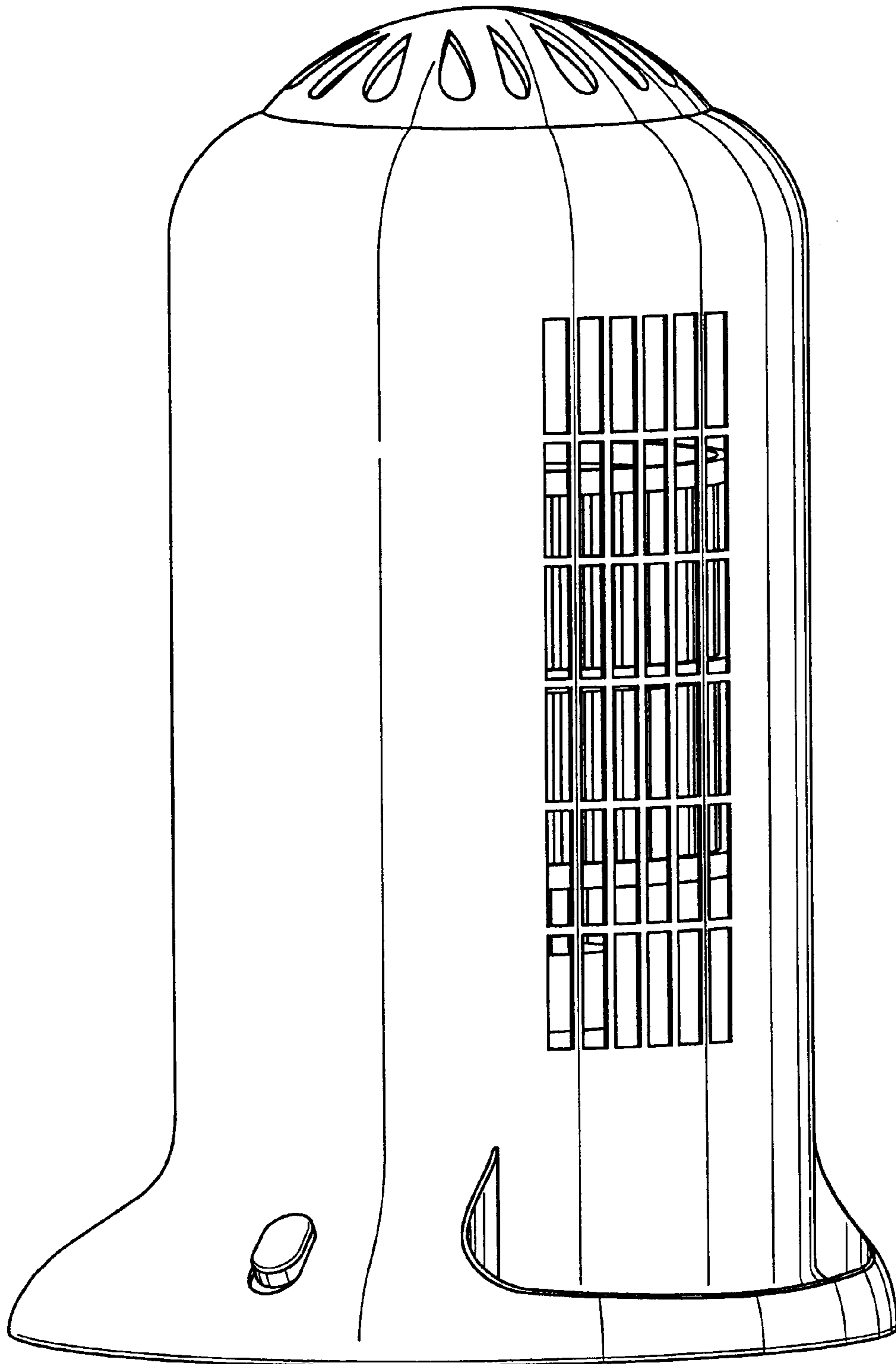


FIG. 1

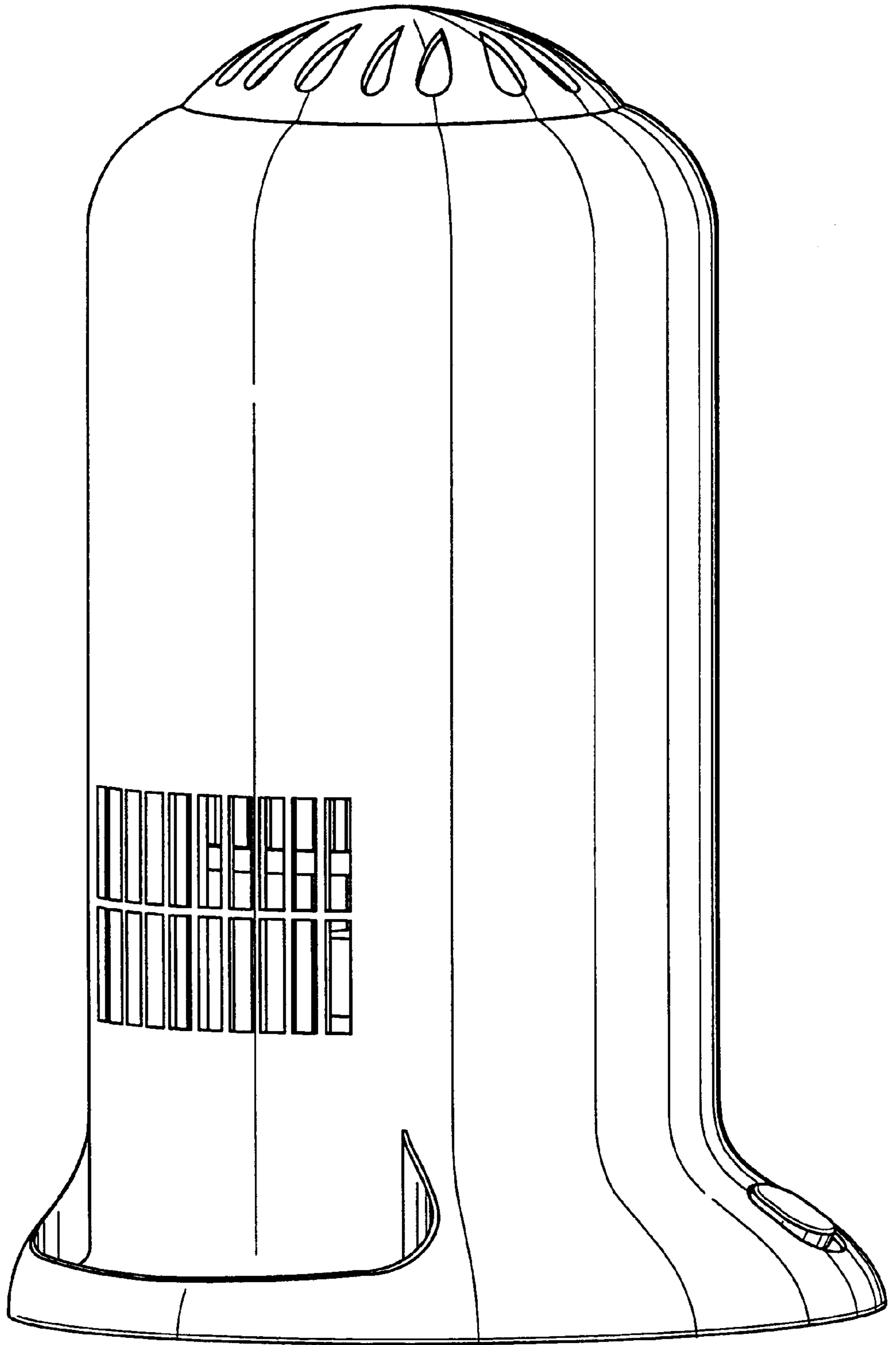


FIG. 2

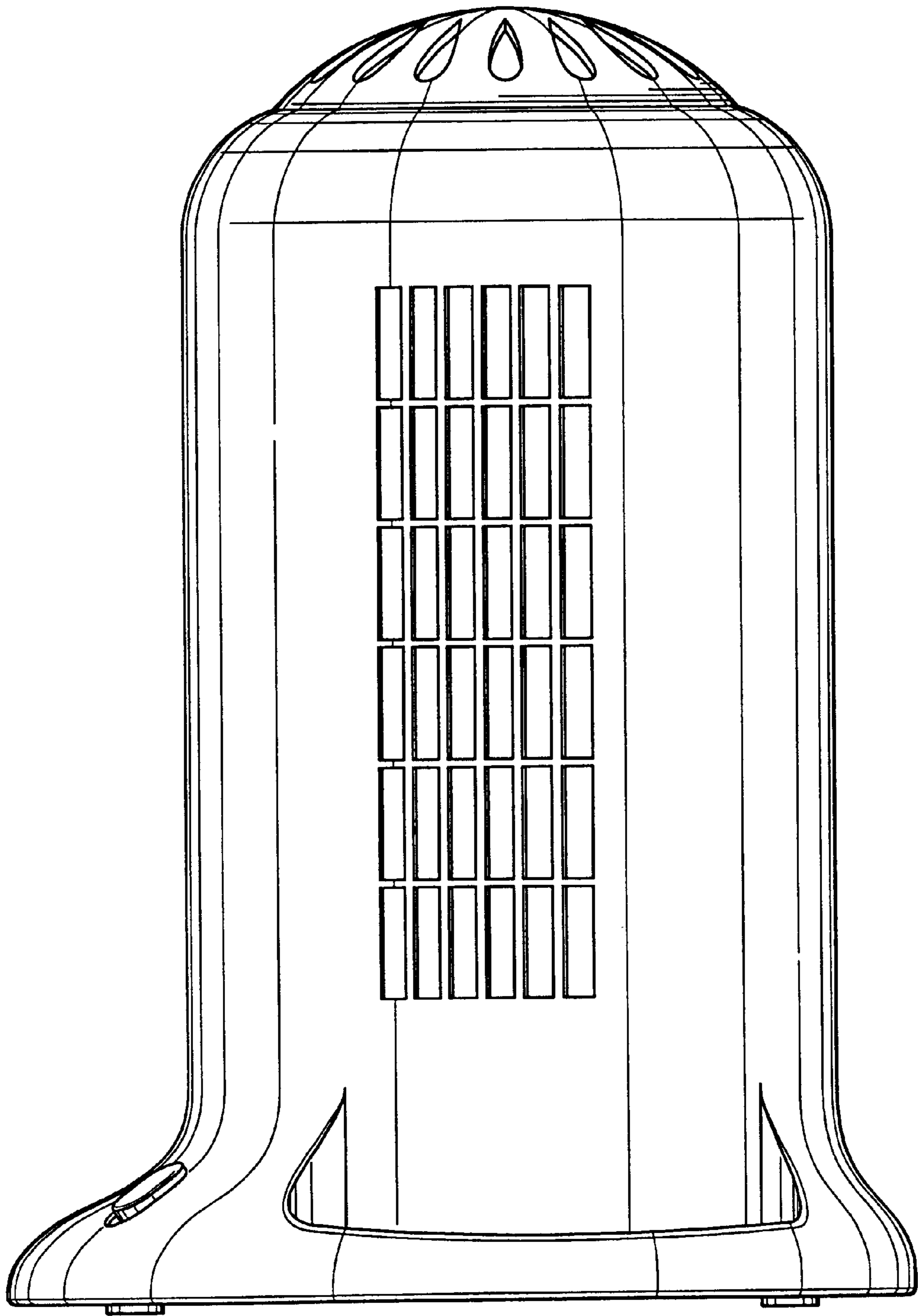


FIG. 3

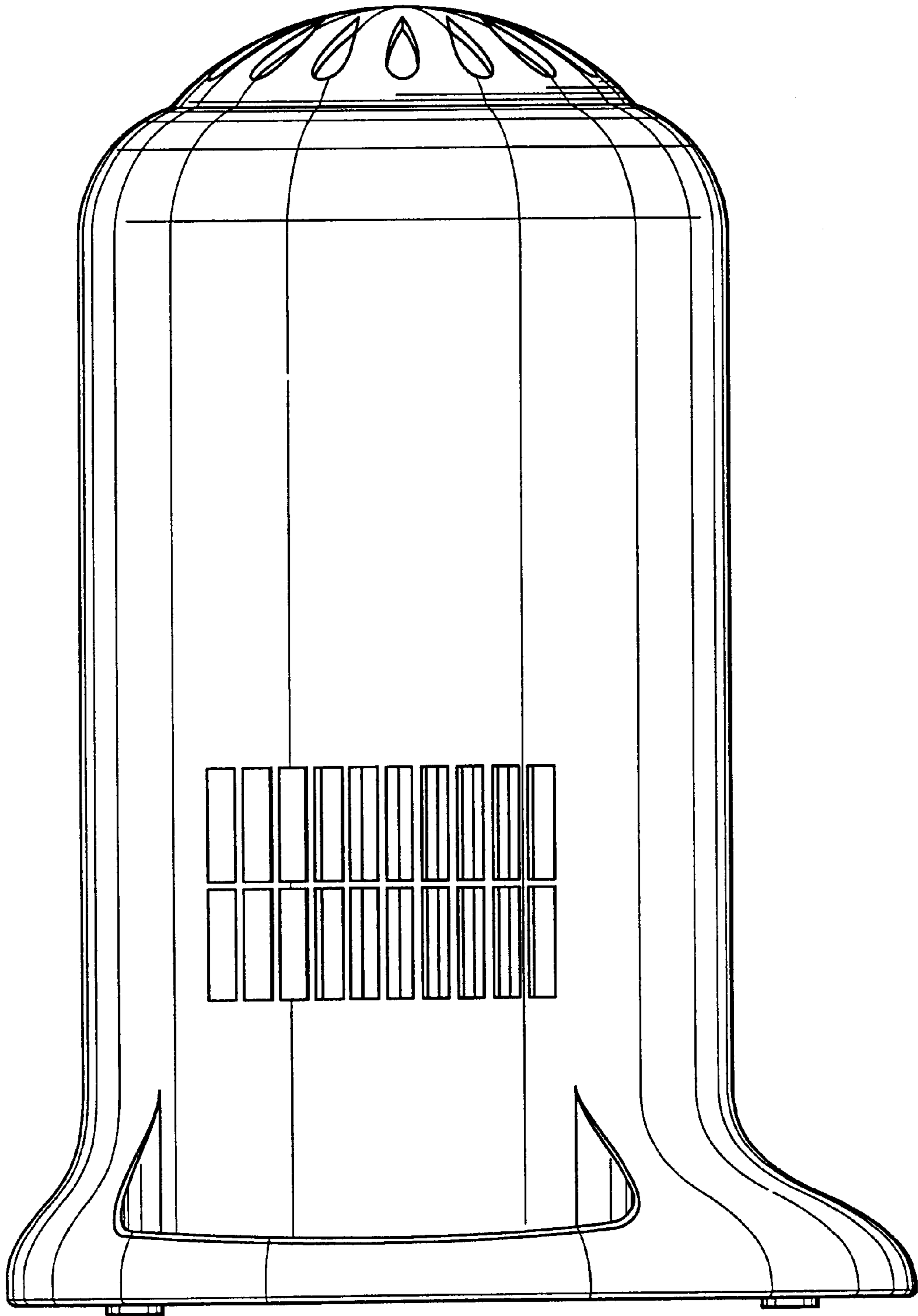


FIG. 4

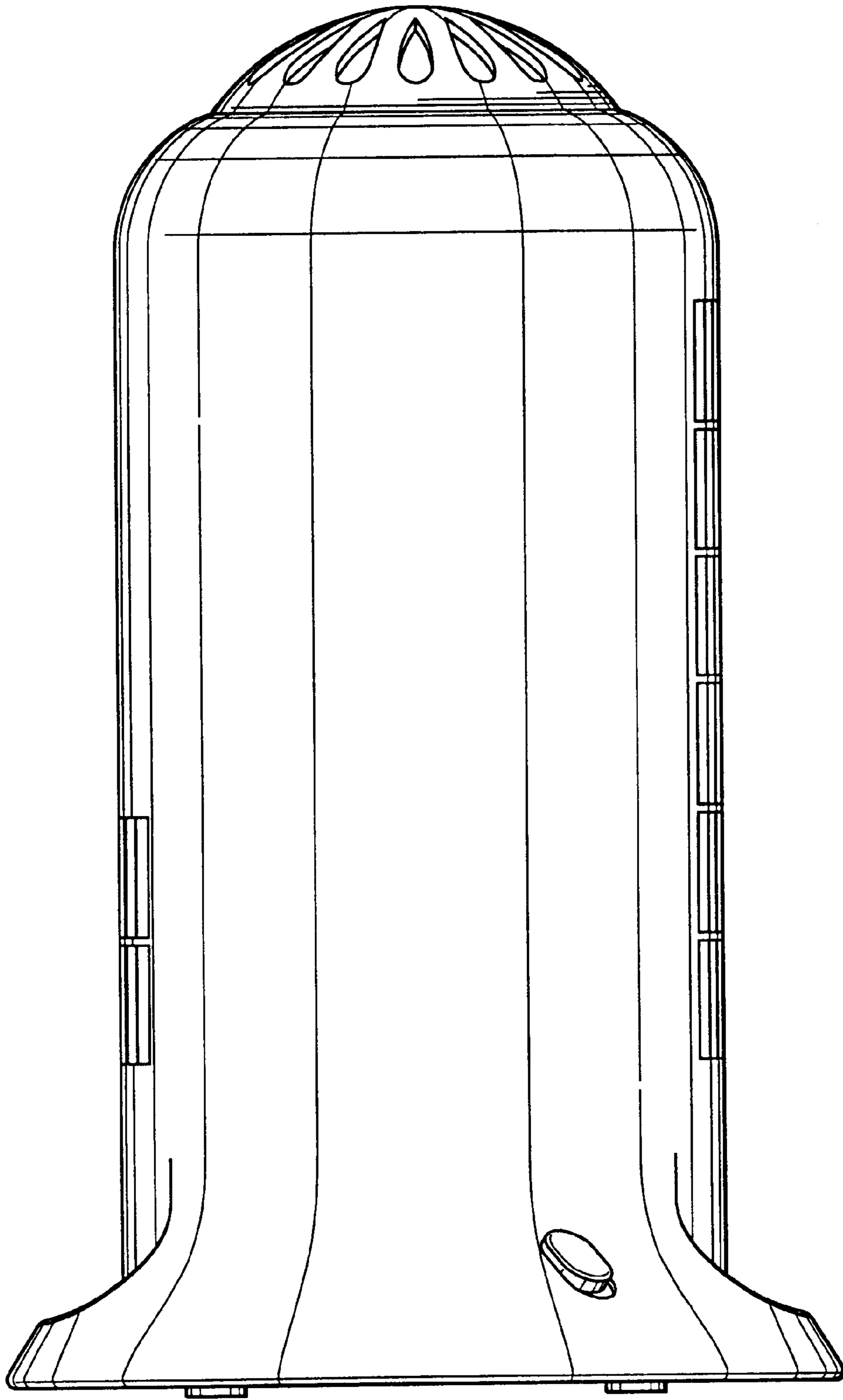


FIG. 5

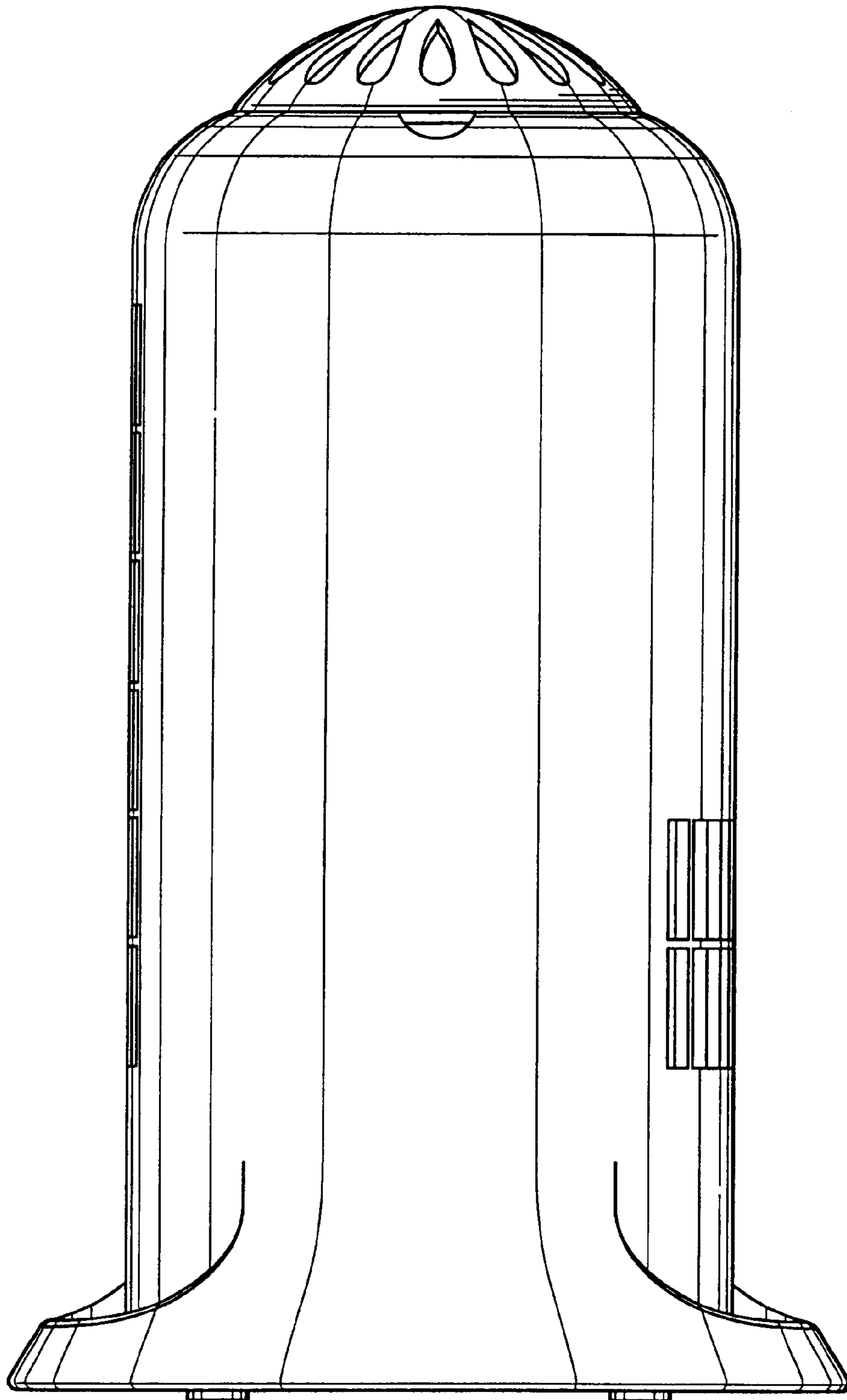


FIG. 6

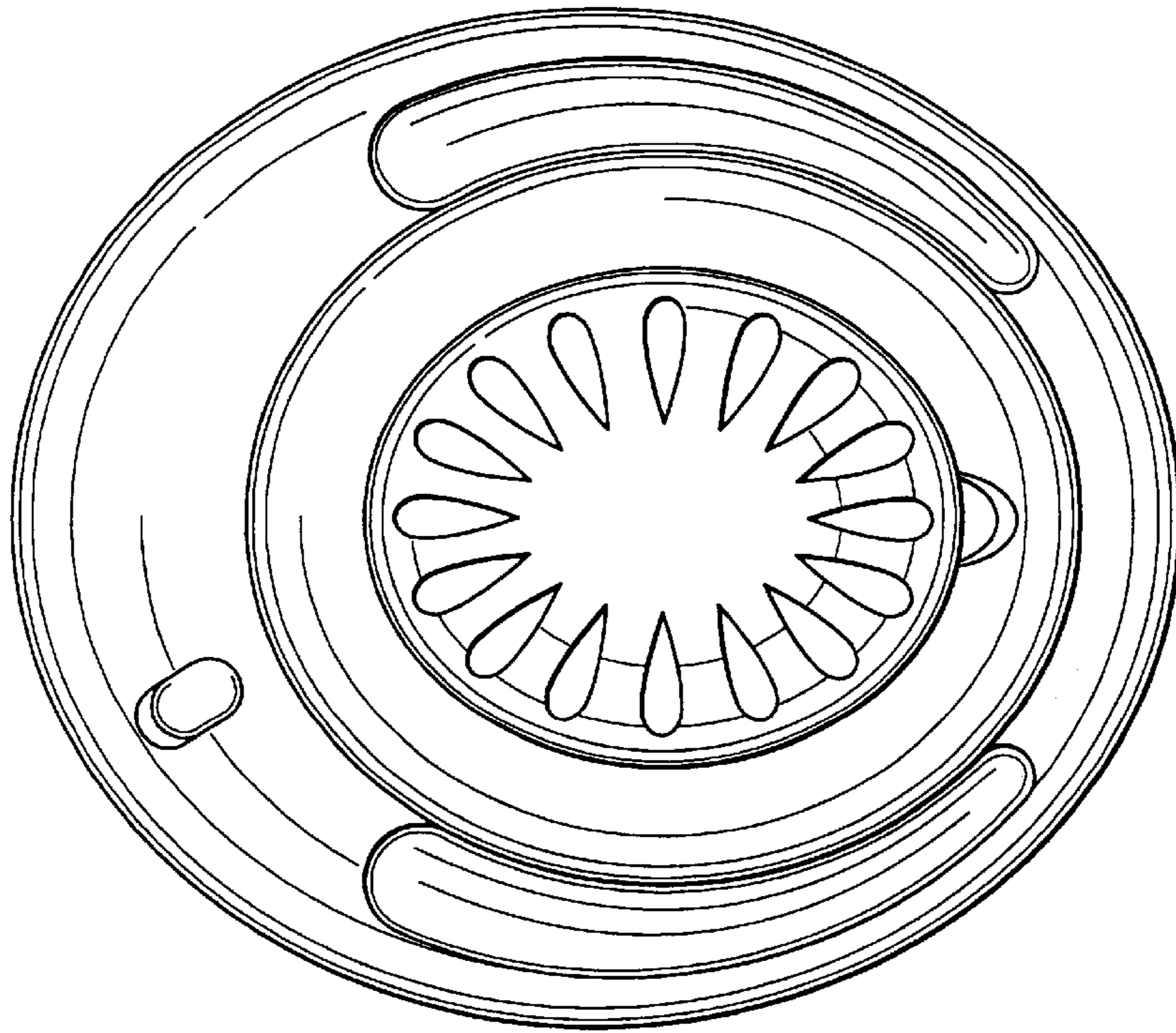


FIG. 7

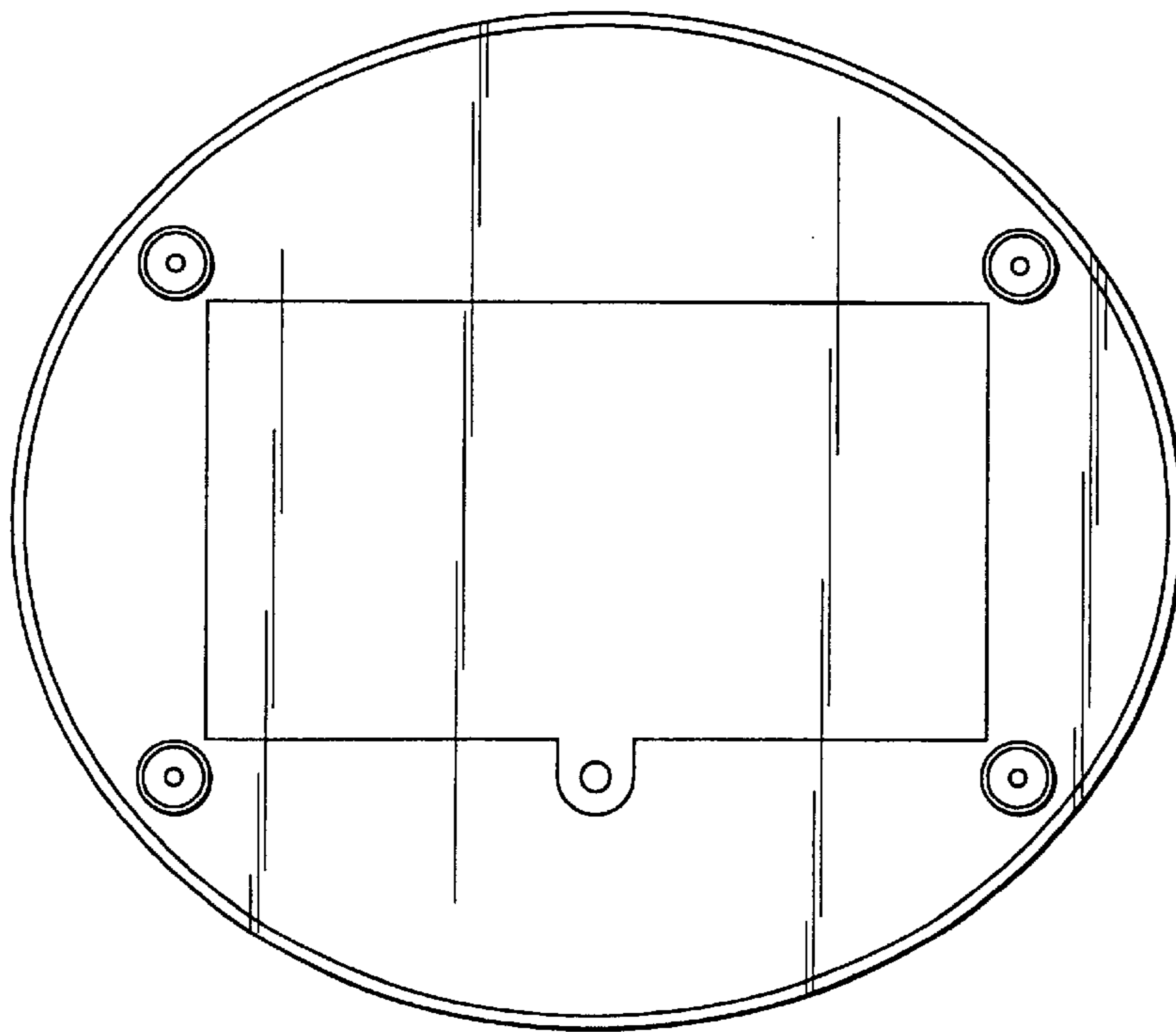


FIG. 8