



US00D460547S

(12) **United States Design Patent**  
**Li**

(10) **Patent No.:** **US D460,547 S**

(45) **Date of Patent:** **\*\* Jul. 16, 2002**

(54) **SMOKE EXHAUSTER**

D452,907 S \* 1/2002 Tamura ..... D23/372

(75) Inventor: **Hse Hsien Li**, Taoyuan Hsien (TW)

\* cited by examiner

(73) Assignee: **Enlight Corporation** (TW)

*Primary Examiner*—Lisa Lichtenstein

(\*\*) Term: **14 Years**

(74) *Attorney, Agent, or Firm*—Troxell Law Office PLLC

(21) Appl. No.: **29/154,440**

(57) **CLAIM**

The ornamental design for a smoke exhauster, as shown.

(22) Filed: **Jan. 25, 2002**

**DESCRIPTION**

(51) **LOC (7) Cl.** ..... **23-04**

FIG. 1 is a front perspective view of a smoke exhauster showing my new design;

(52) **U.S. Cl.** ..... **D23/372**

FIG. 2 is a front elevational view thereof;

(58) **Field of Search** ..... D23/372; 126/299 R,  
126/299 D

FIG. 3 is a rear elevational view thereof;

FIG. 4 is a left side elevational view thereof;

FIG. 5 is a right side elevational view thereof;

FIG. 6 is a top plan view thereof; and,

FIG. 7 is a bottom plan view thereof.

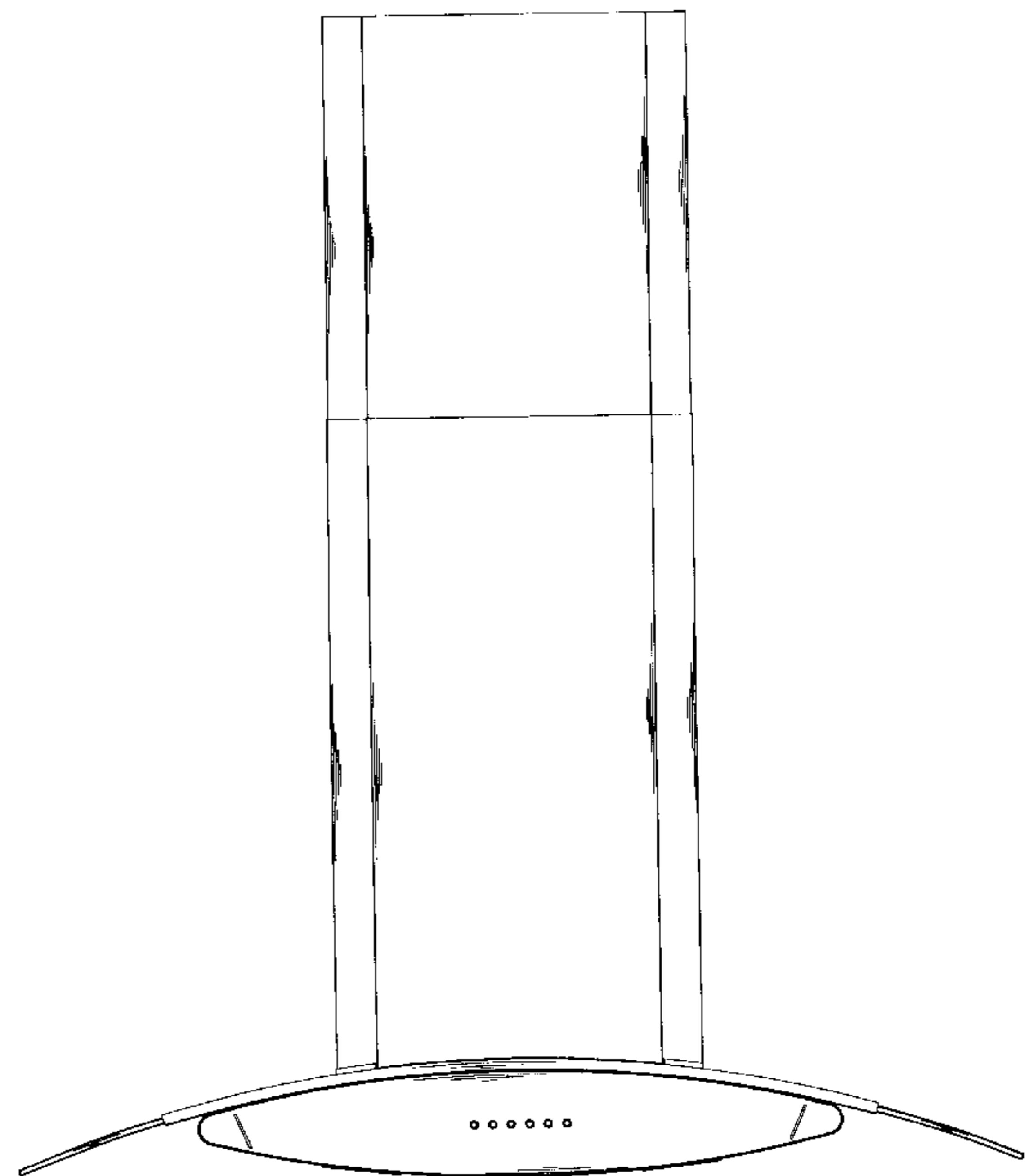
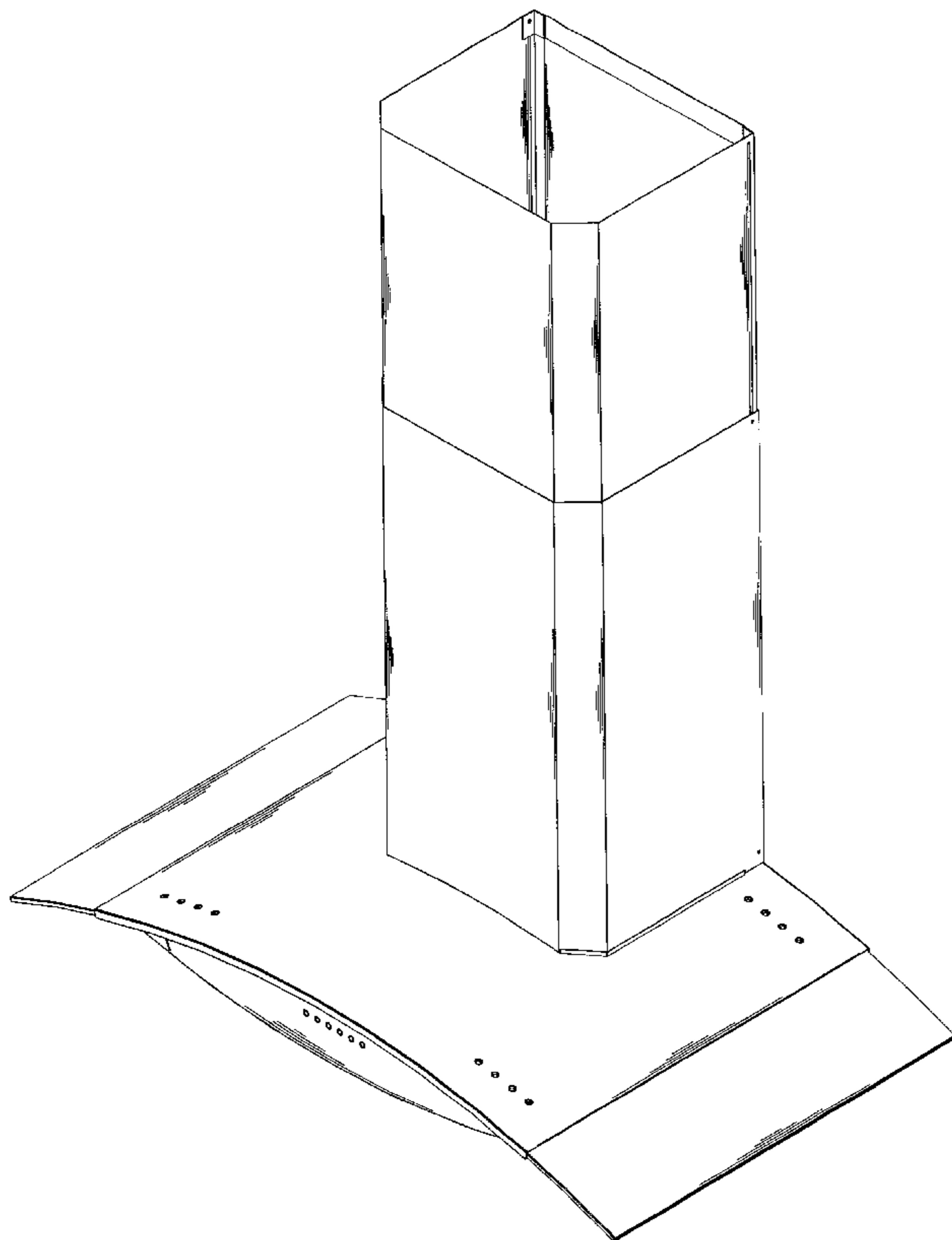
(56) **References Cited**

**U.S. PATENT DOCUMENTS**

6,202,641 B1 \* 3/2001 Lazzaro ..... 126/299 D

D450,379 S \* 11/2001 Strand et al. .... D23/372

**1 Claim, 7 Drawing Sheets**



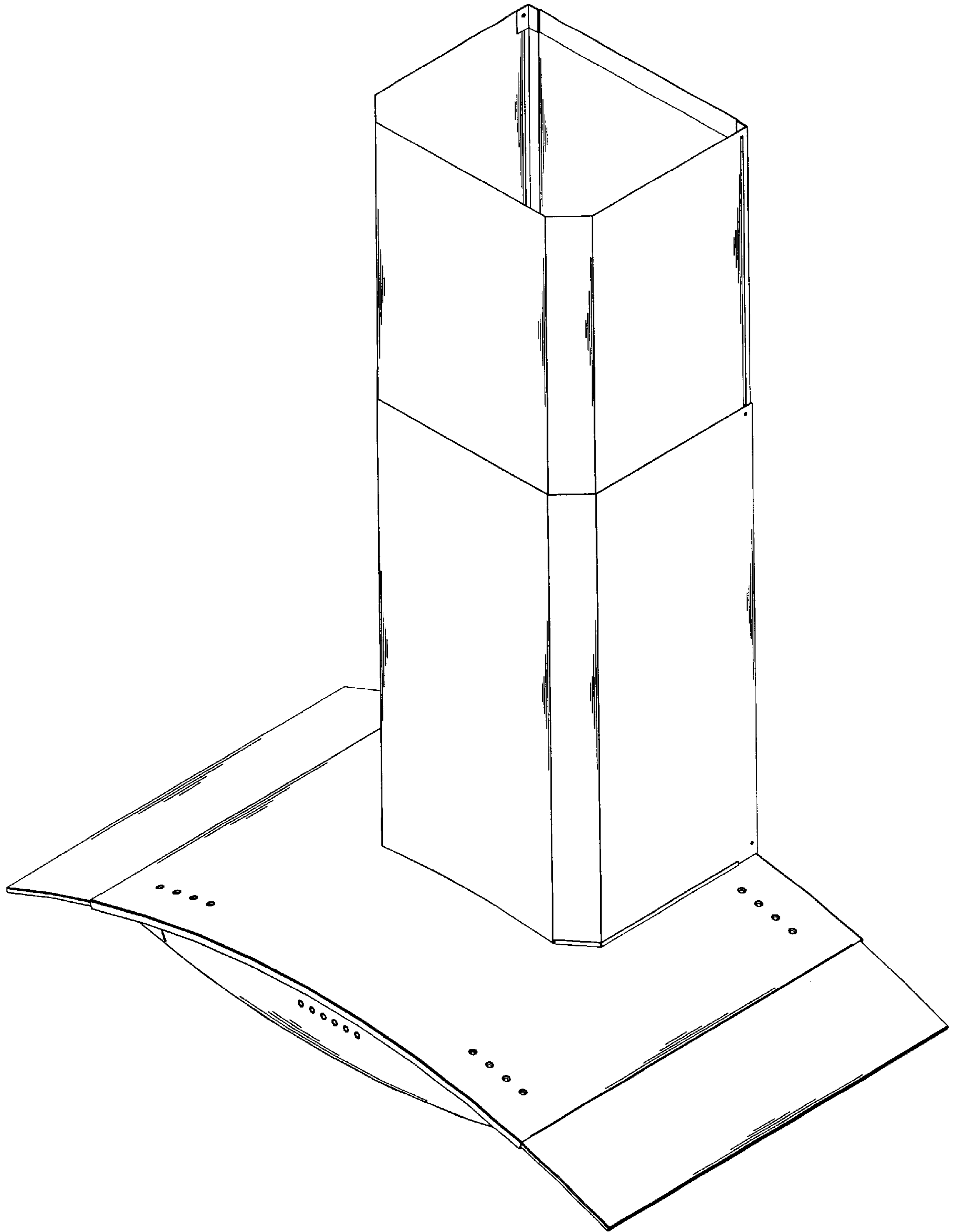


FIG. 1

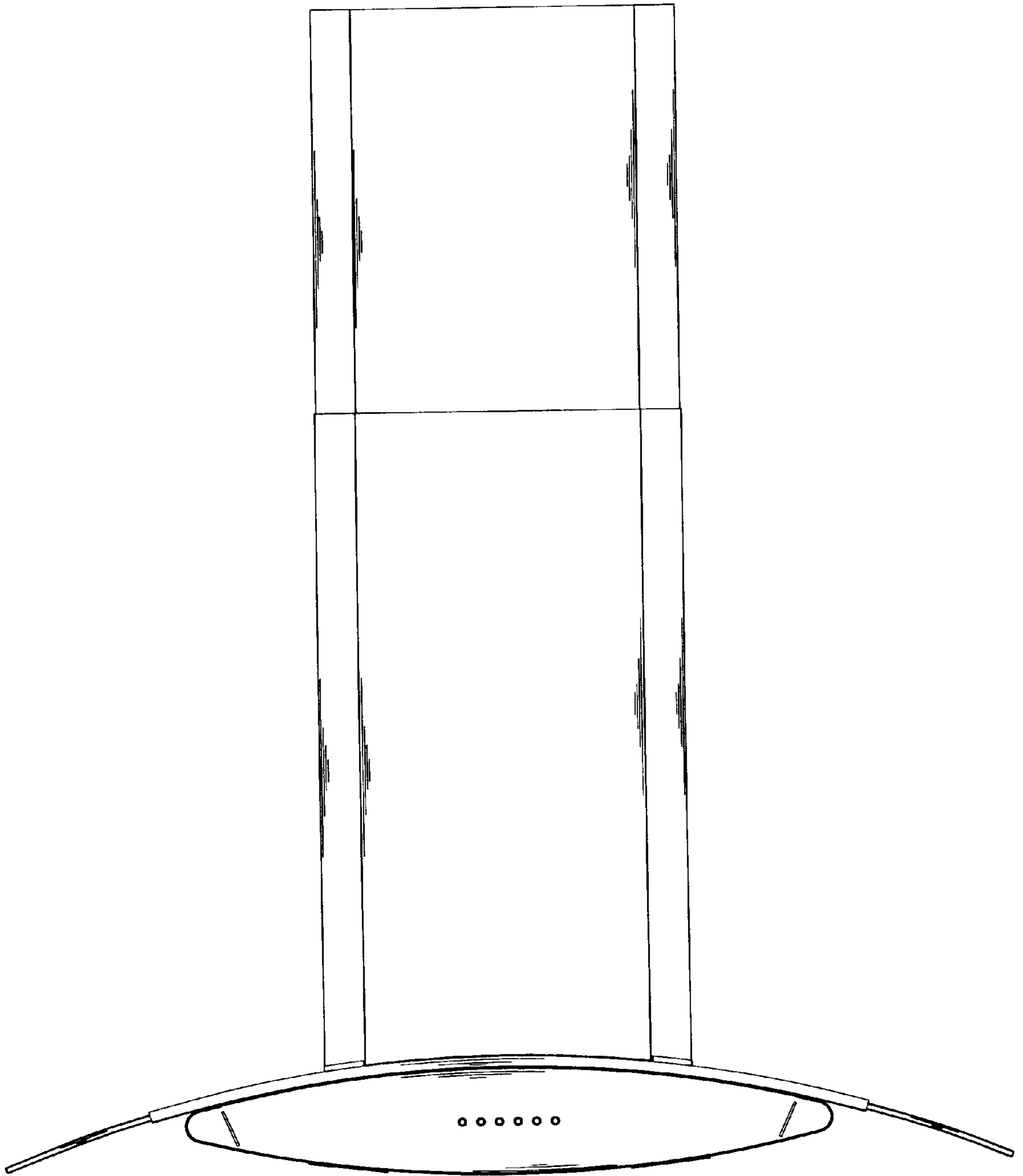


FIG. 2

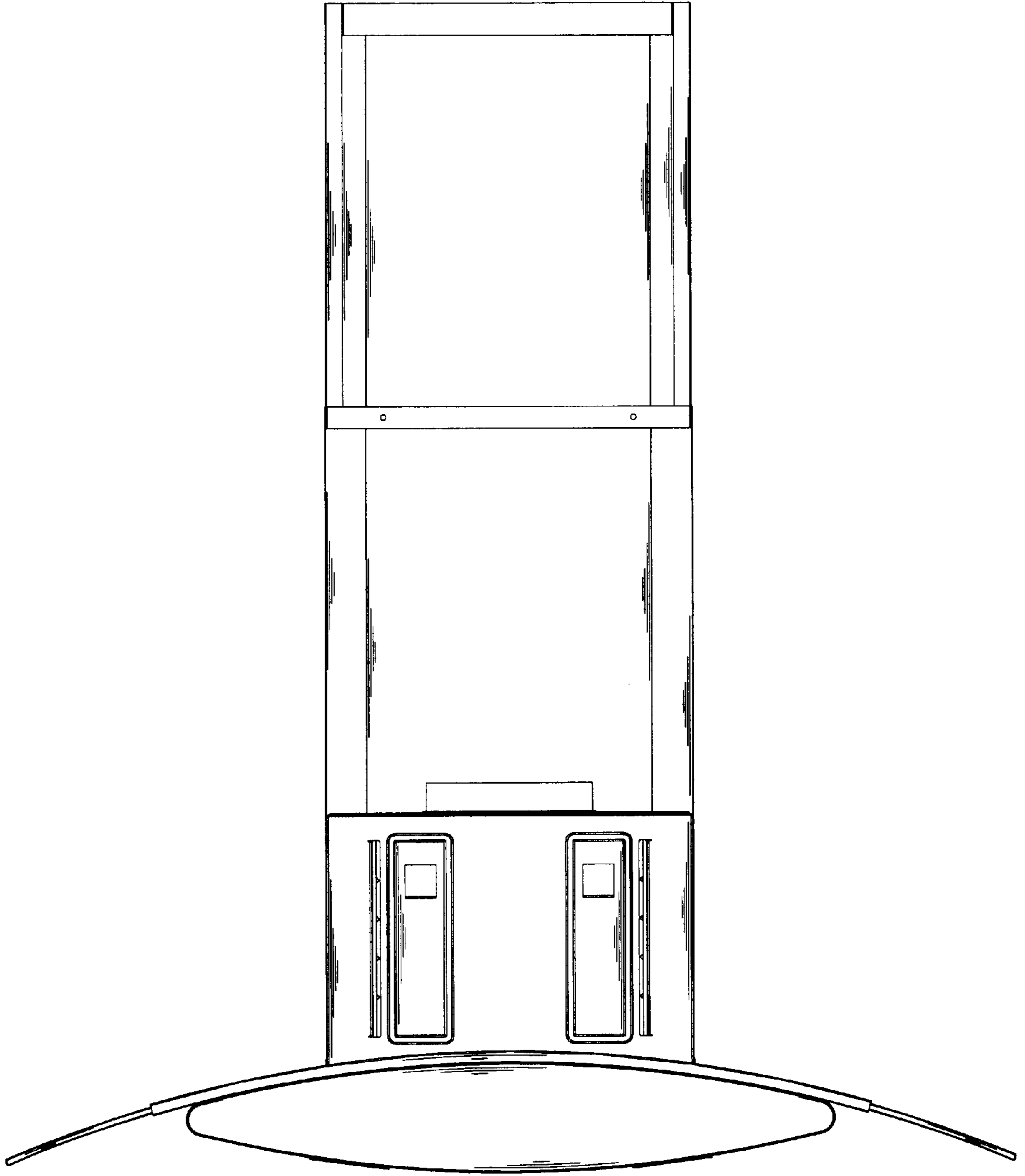


FIG. 3

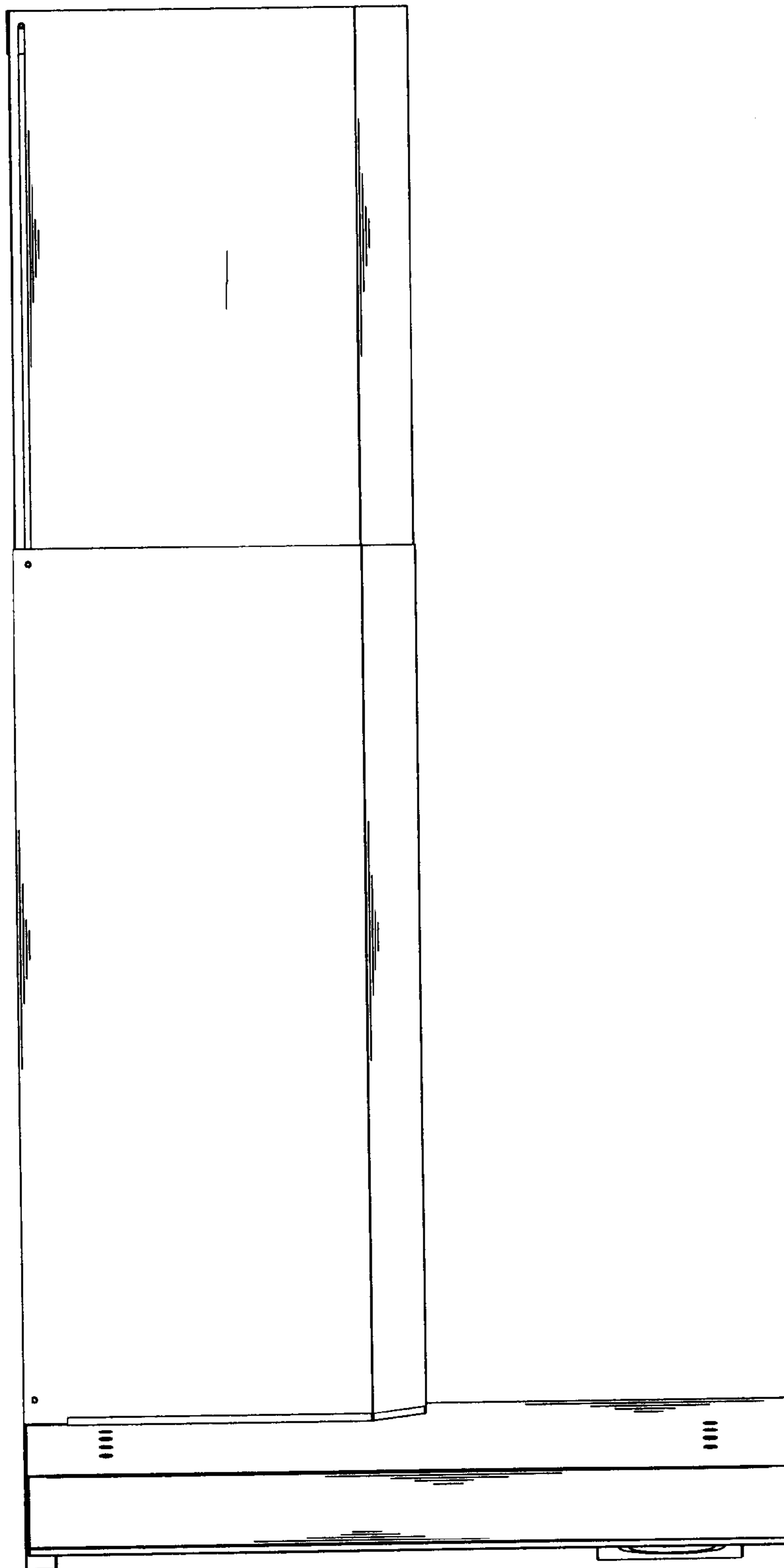


FIG. 4

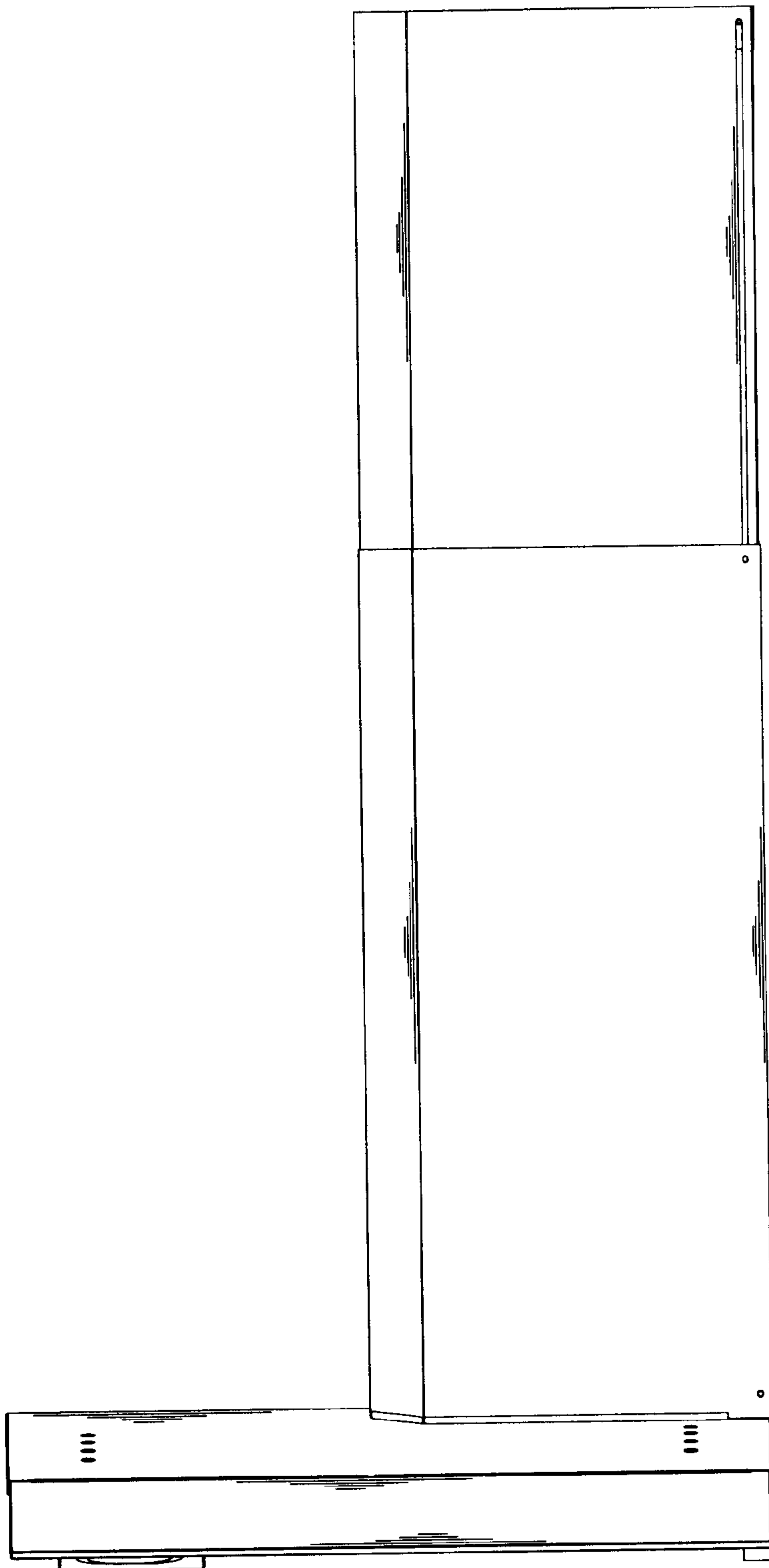


FIG. 5

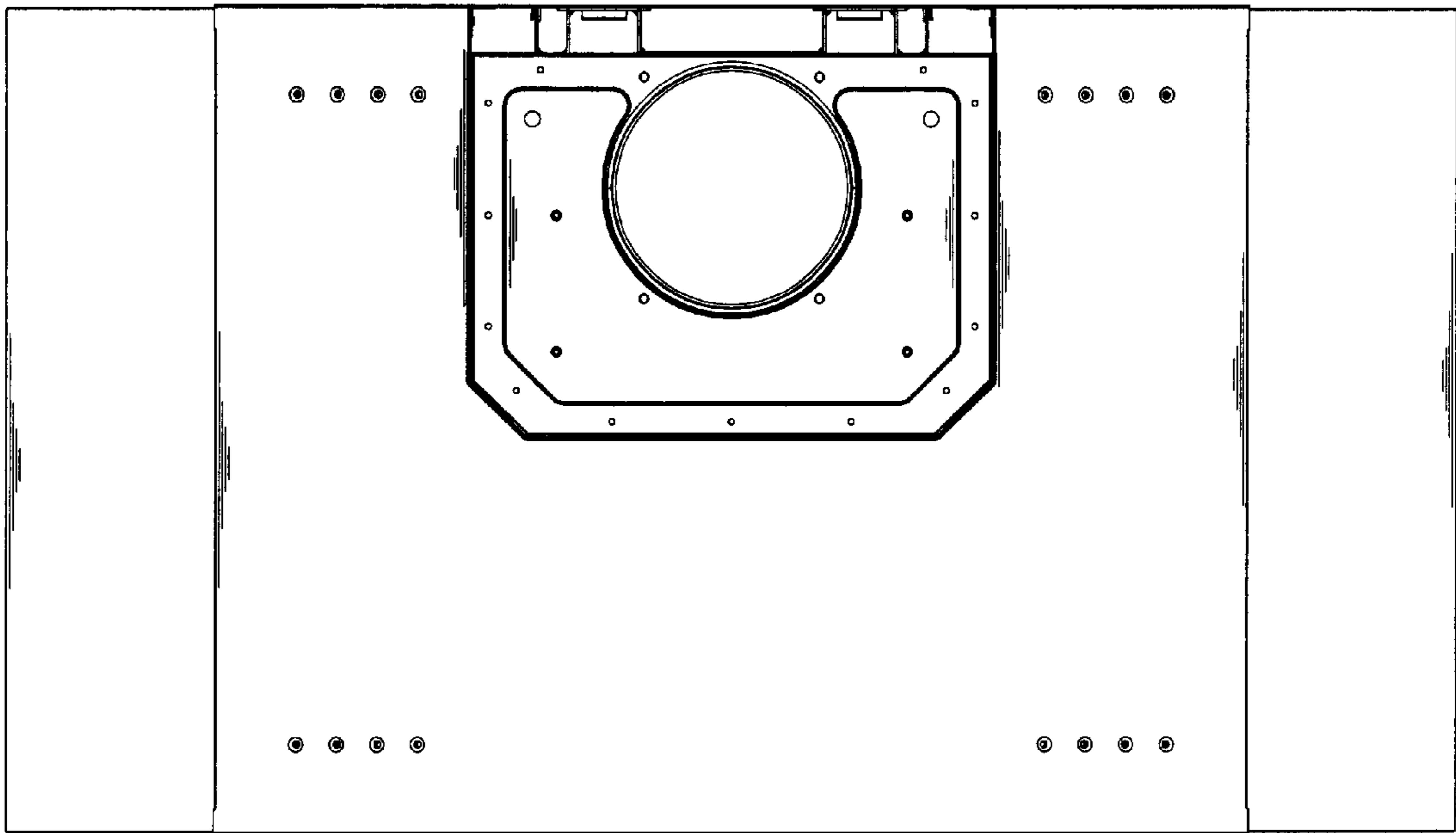


FIG.6

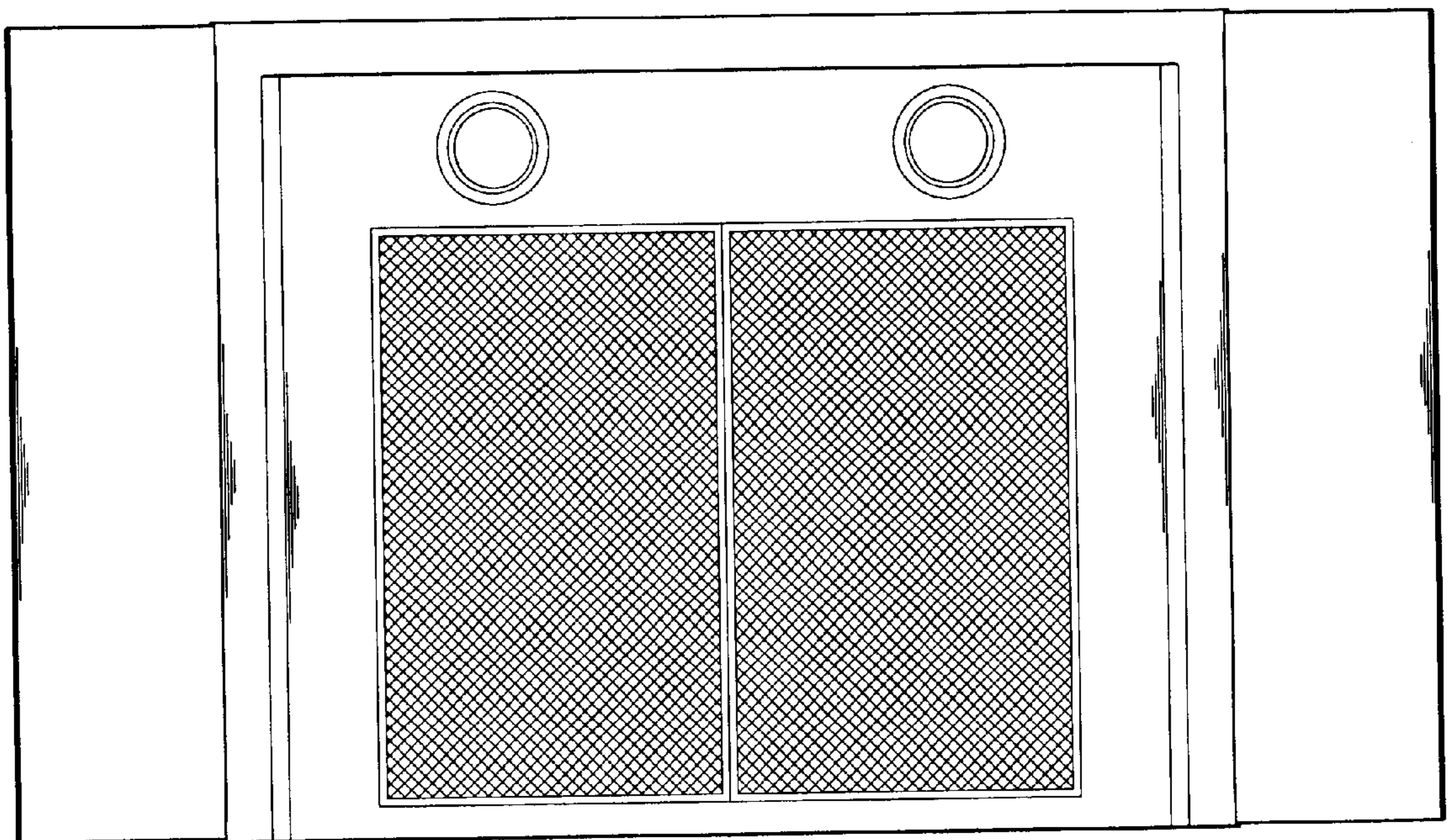


FIG. 7