



US00D460546S

(12) **United States Design Patent**
Sjöberg

(10) **Patent No.:** **US D460,546 S**

(45) **Date of Patent:** **** Jul. 16, 2002**

(54) **FLEXIBLE EXHAUSTER HOSE ASSEMBLY**

(75) Inventor: **Krister Sjöberg**, Lycksele (SE)

(73) Assignee: **Plymovent AB**, Lycksele (SE)

(**) Term: **14 Years**

(21) Appl. No.: **29/131,058**

(22) Filed: **Oct. 16, 2000**

(30) **Foreign Application Priority Data**

Apr. 14, 2000 (SE) 00-0746

(51) **LOC (7) Cl.** **23-04**

(52) **U.S. Cl.** **D23/370**

(58) **Field of Search** D12/194, 400;
D23/370, 371-378, 385; 454/63, 64, 349,
354, 329; 138/107, 118, 120; 285/175,
177, 240, 272, 276

(56) **References Cited**

U.S. PATENT DOCUMENTS

- D262,235 S * 12/1981 Hamilton D12/370
- D327,122 S * 6/1992 Holmgren D23/371
- 5,222,906 A * 6/1993 Lundstrom 454/64
- D337,818 S * 7/1993 Rutherford D23/371

- 5,391,110 A * 2/1995 Linberg et al. 454/64
- 5,630,751 A * 5/1997 Hansen 454/64
- D389,564 S * 1/1998 Owusu D23/324
- 5,738,148 A * 4/1998 Coral et al. 138/120
- D404,122 S * 1/1999 Hayashi et al. D23/370
- 6,306,031 B1 * 10/2001 Hansen et al. 454/64

* cited by examiner

Primary Examiner—Stacia Cadmus

(74) *Attorney, Agent, or Firm*—Young & Thompson

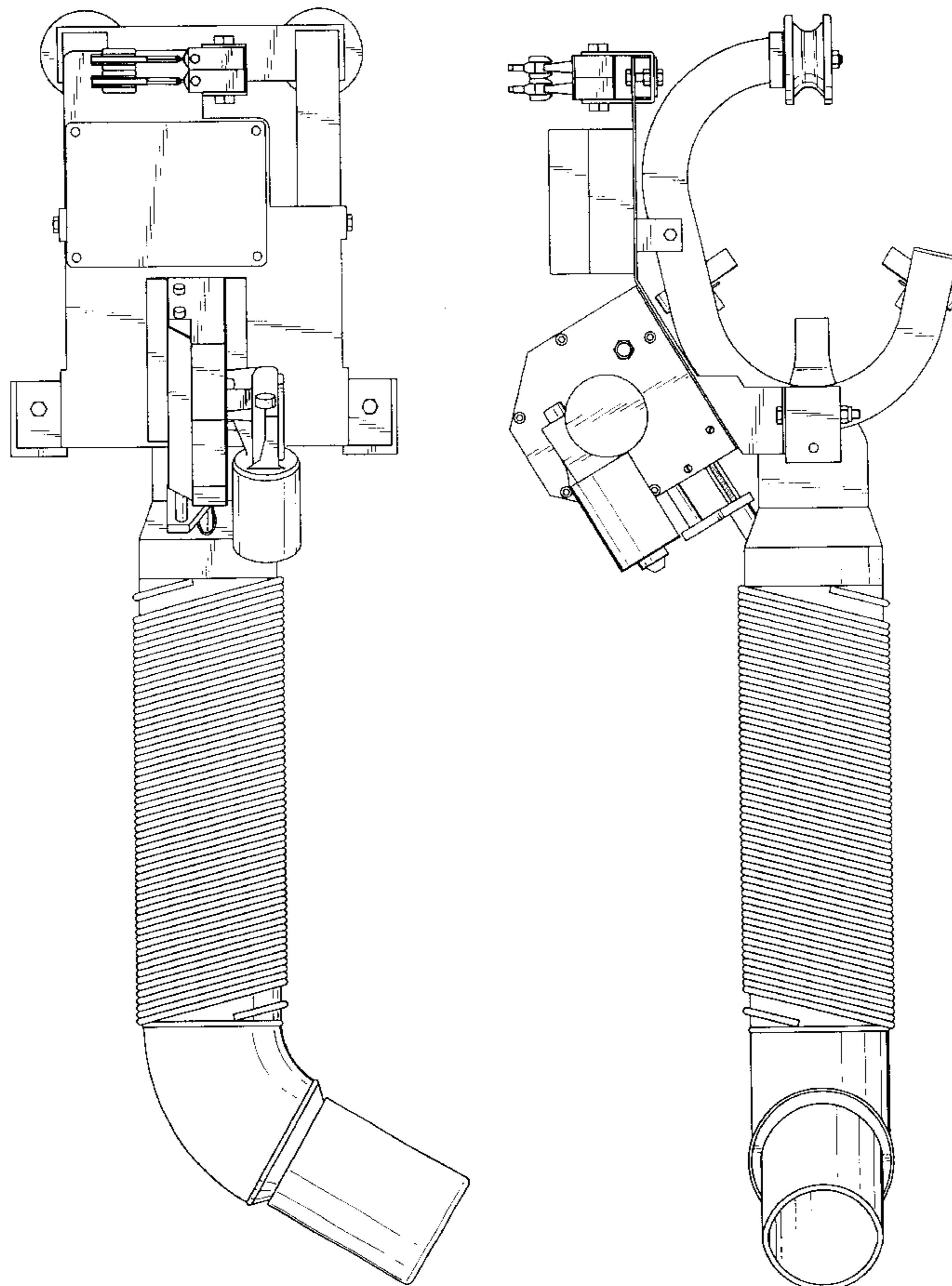
(57) **CLAIM**

The ornamental design for a flexible exhauster hose assembly, as shown and described.

DESCRIPTION

FIG. 1 is a front elevational view of a flexible exhauster hose assembly, showing my new design;
 FIG. 2 is a right side elevational view thereof;
 FIG. 3 is a left side elevational view thereof;
 FIG. 4 is a rear elevational view thereof;
 FIG. 5 is a top plan view thereof;
 FIG. 6 is a bottom plan thereof; and,
 FIG. 7 is a left side view thereof showing the assembly in its extended position.

1 Claim, 6 Drawing Sheets



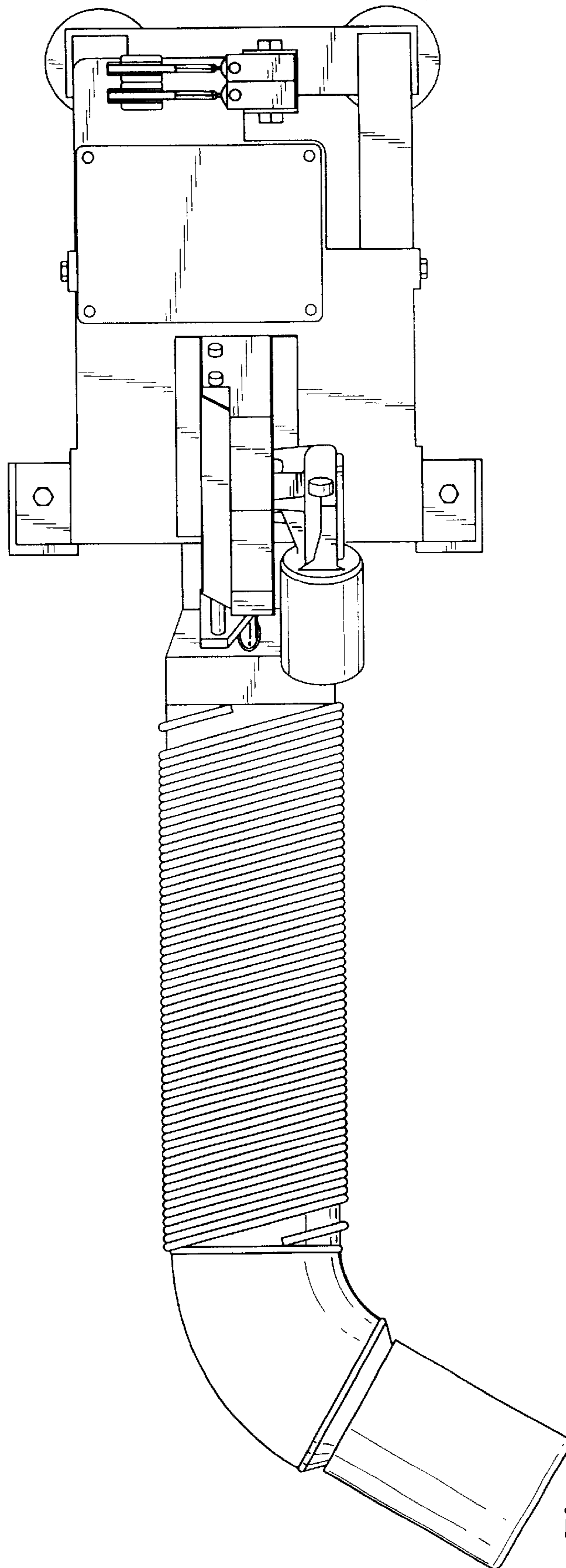


FIG.1

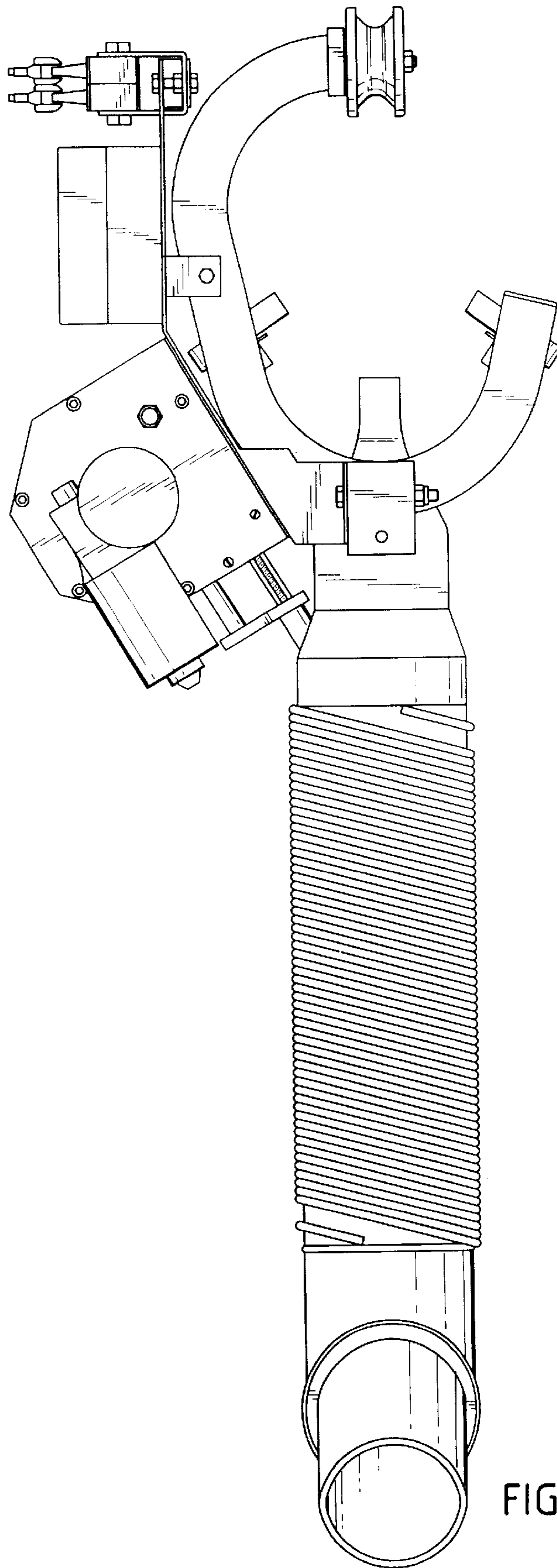


FIG. 2

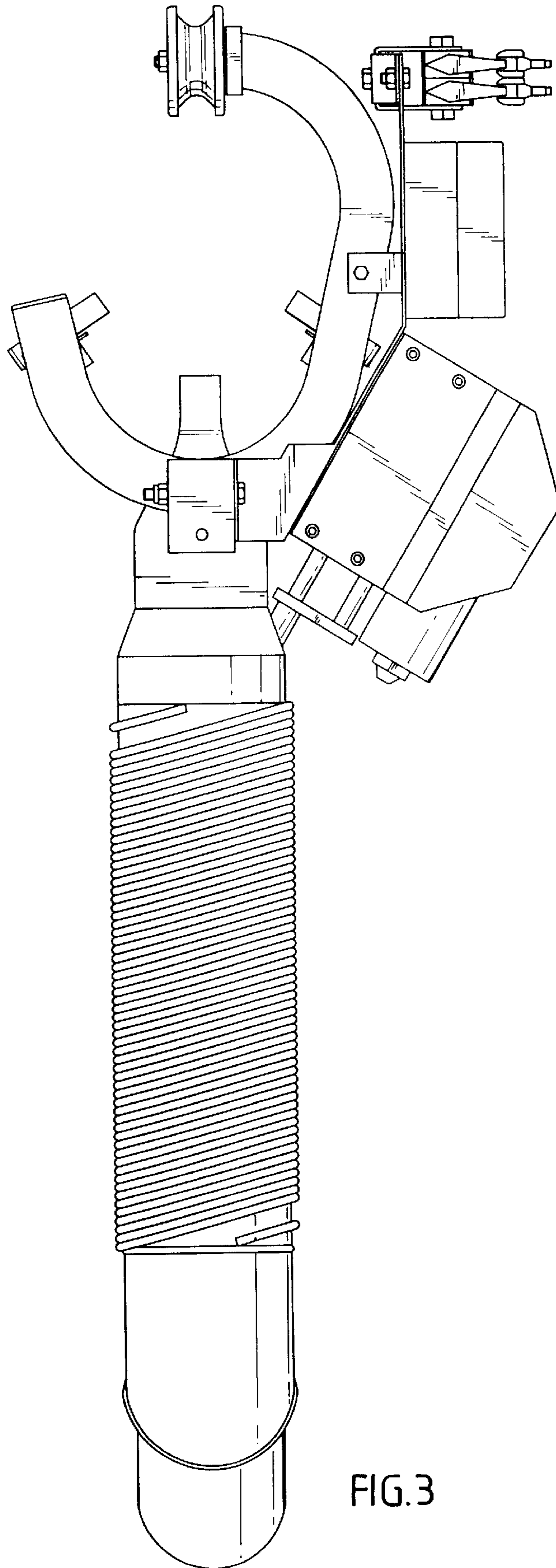


FIG. 3

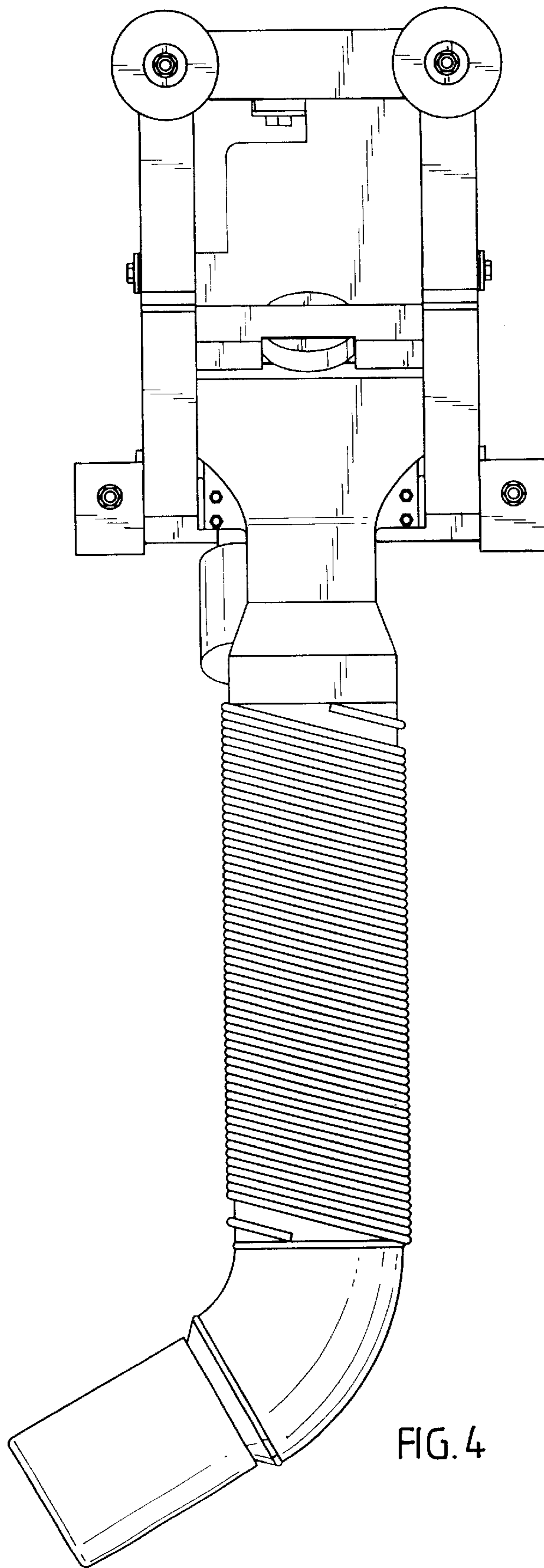
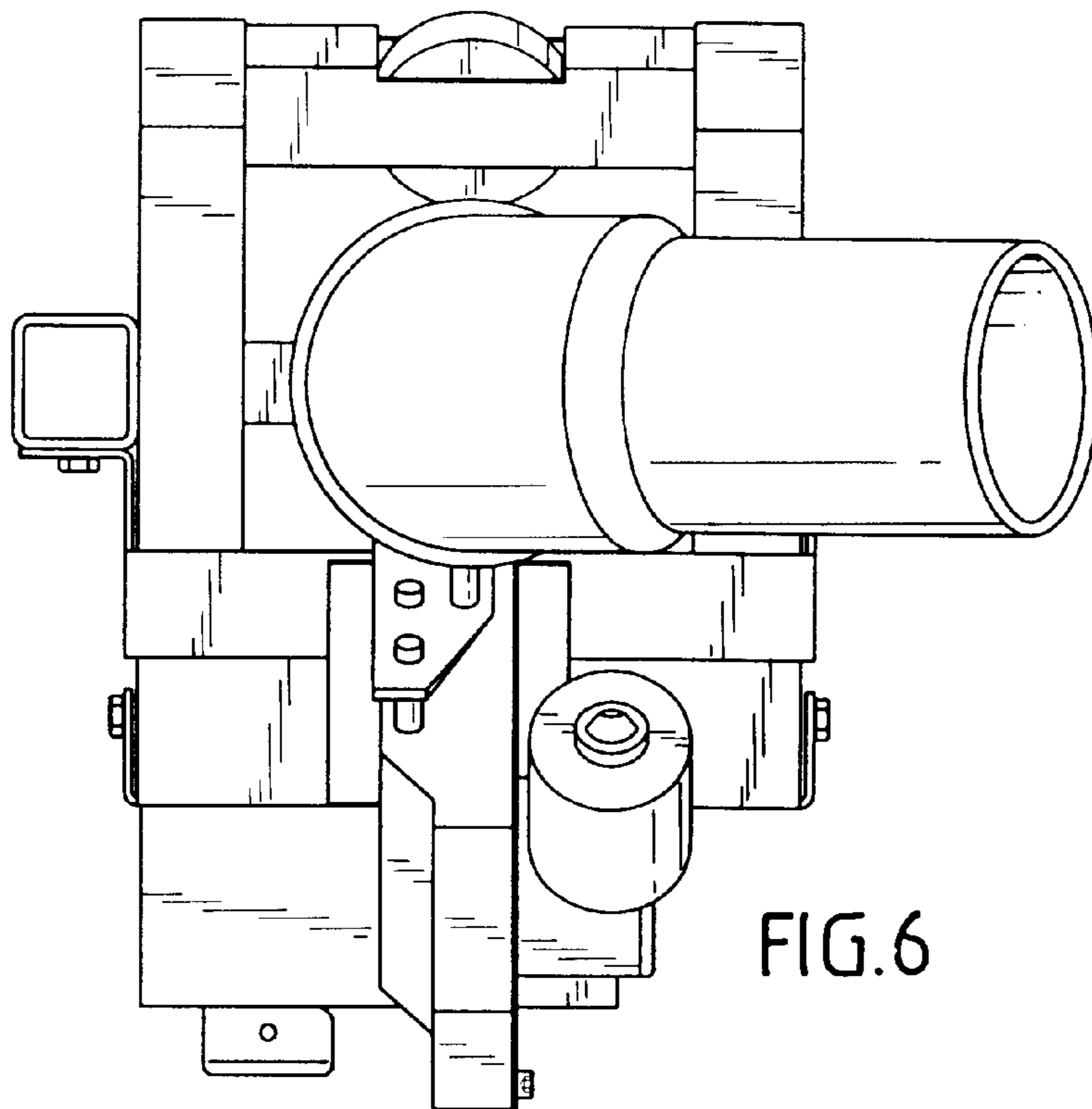
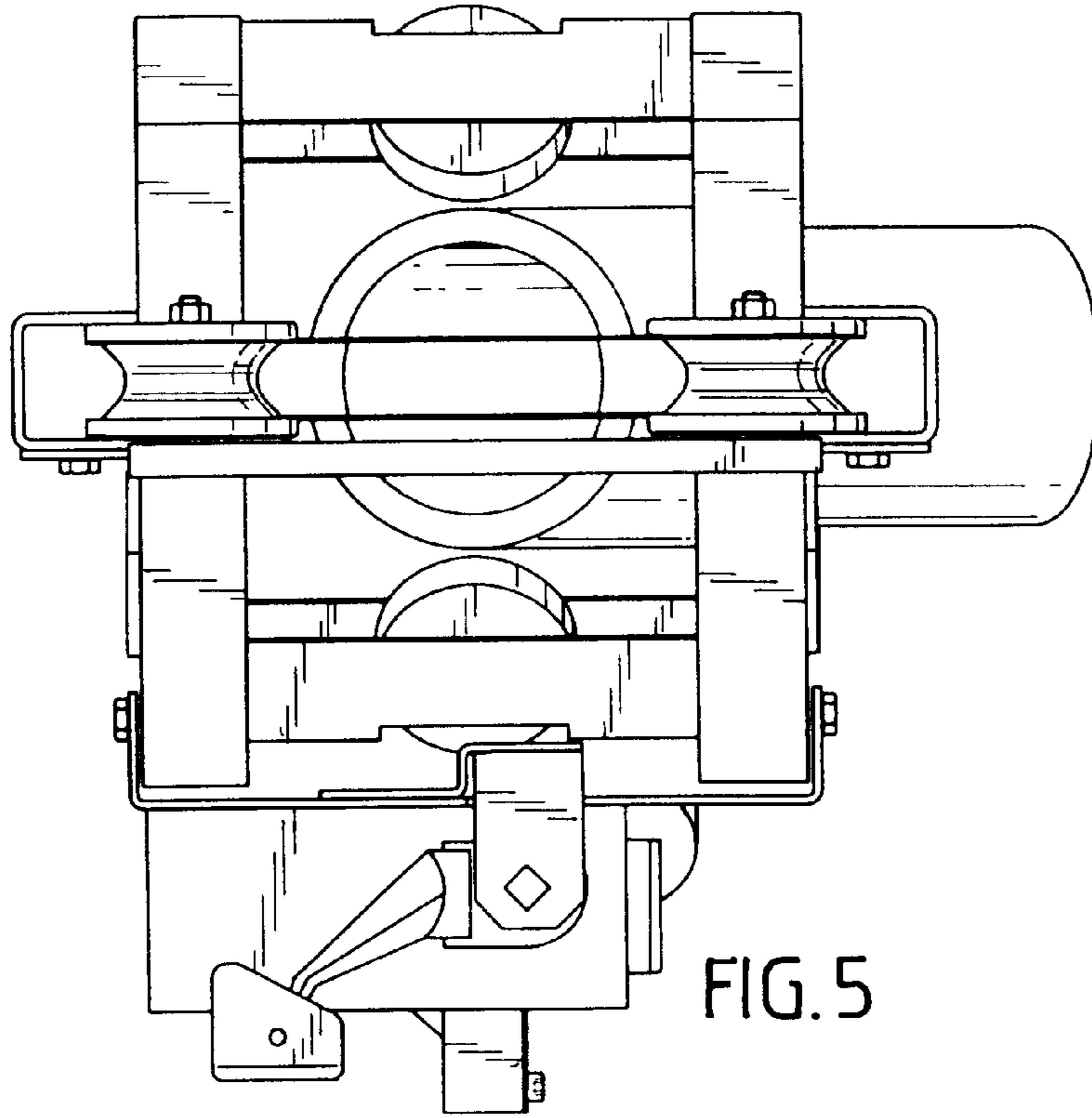


FIG. 4



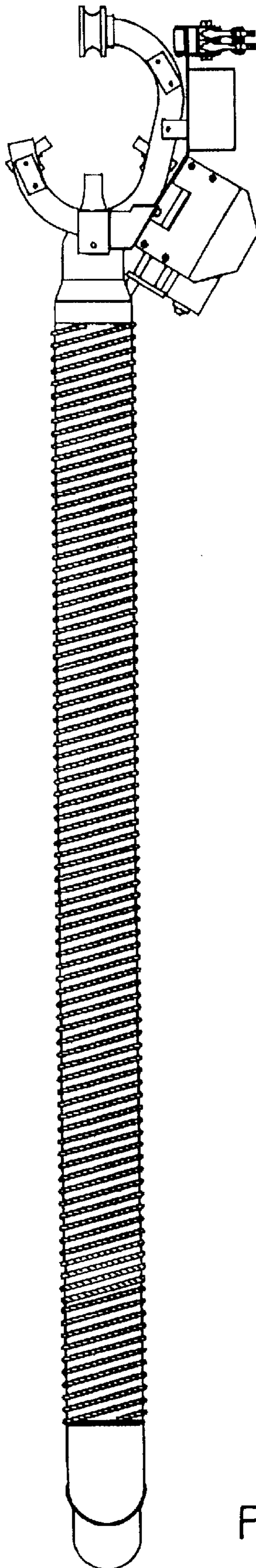


FIG.7