



US00D460544S

(12) **United States Design Patent**  
**Garcia**

(10) **Patent No.:** **US D460,544 S**

(45) **Date of Patent:** **\*\* Jul. 16, 2002**

(54) **ELECTRICAL EVAPORATOR FOR VOLATILE MATERIALS**

(75) Inventor: **Ruben Garcia**, Barcelona (ES)

(73) Assignee: **Reckitt Benckiser (Australia) Pty Limited**, West Ryde (AU)

(\*\*) Term: **14 Years**

(21) Appl. No.: **29/142,297**

(22) Filed: **May 23, 2001**

(30) **Foreign Application Priority Data**

Nov. 30, 2000 (GB) ..... 2097818

(51) **LOC (7) Cl.** ..... **23-04**

(52) **U.S. Cl.** ..... **D23/366**

(58) **Field of Search** ..... D23/366-369,  
D23/356-363; 392/390, 392; 239/135, 136,  
58; 261/DIG. 17, DIG. 65; 96/97

(56) **References Cited**

**U.S. PATENT DOCUMENTS**

D335,530 S \* 5/1993 Schimanski ..... D23/366

D346,207 S \* 4/1994 Martin ..... D23/366

D400,662 S \* 11/1998 Davis ..... D23/366

D432,222 S \* 10/2000 Rymer et al. .... D23/366

D449,532 S \* 10/2001 Modjeski ..... D9/500

\* cited by examiner

*Primary Examiner*—Lisa Lichtenstein

(74) *Attorney, Agent, or Firm*—Fish & Richardson P.C.

(57) **CLAIM**

The ornamental design for an electrical evaporator for volatile materials, as shown.

**DESCRIPTION**

FIG. 1 is a front and right side perspective view of an electrical device showing my new design;

FIG. 2 is a front view thereof;

FIG. 3 is a rear view thereof;

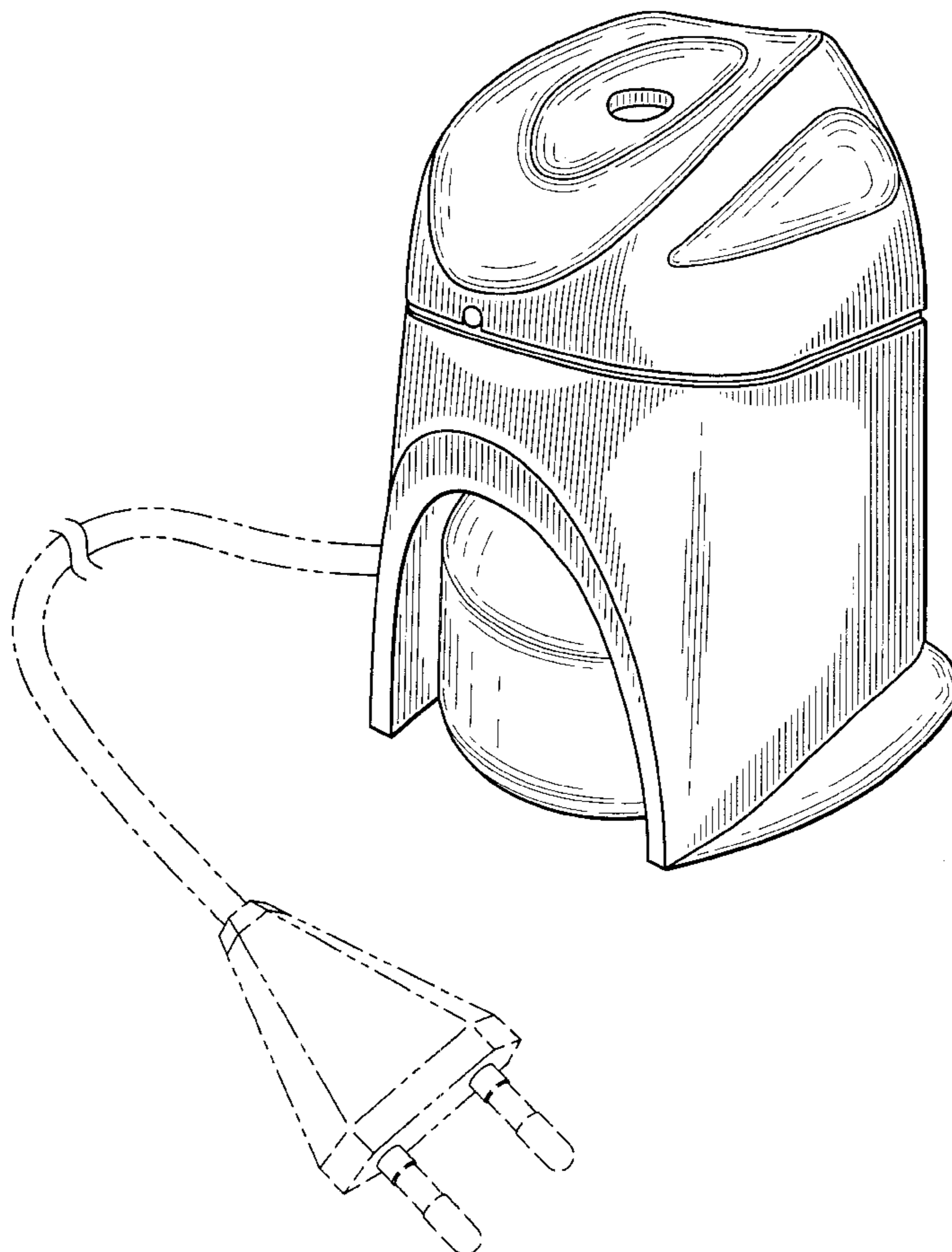
FIG. 4 is a top plan view thereof;

FIG. 5 is a bottom plan view thereof;

FIG. 6 is an enlarged right side view thereof; and,

FIG. 7 is an enlarged left side view thereof.

**1 Claim, 4 Drawing Sheets**



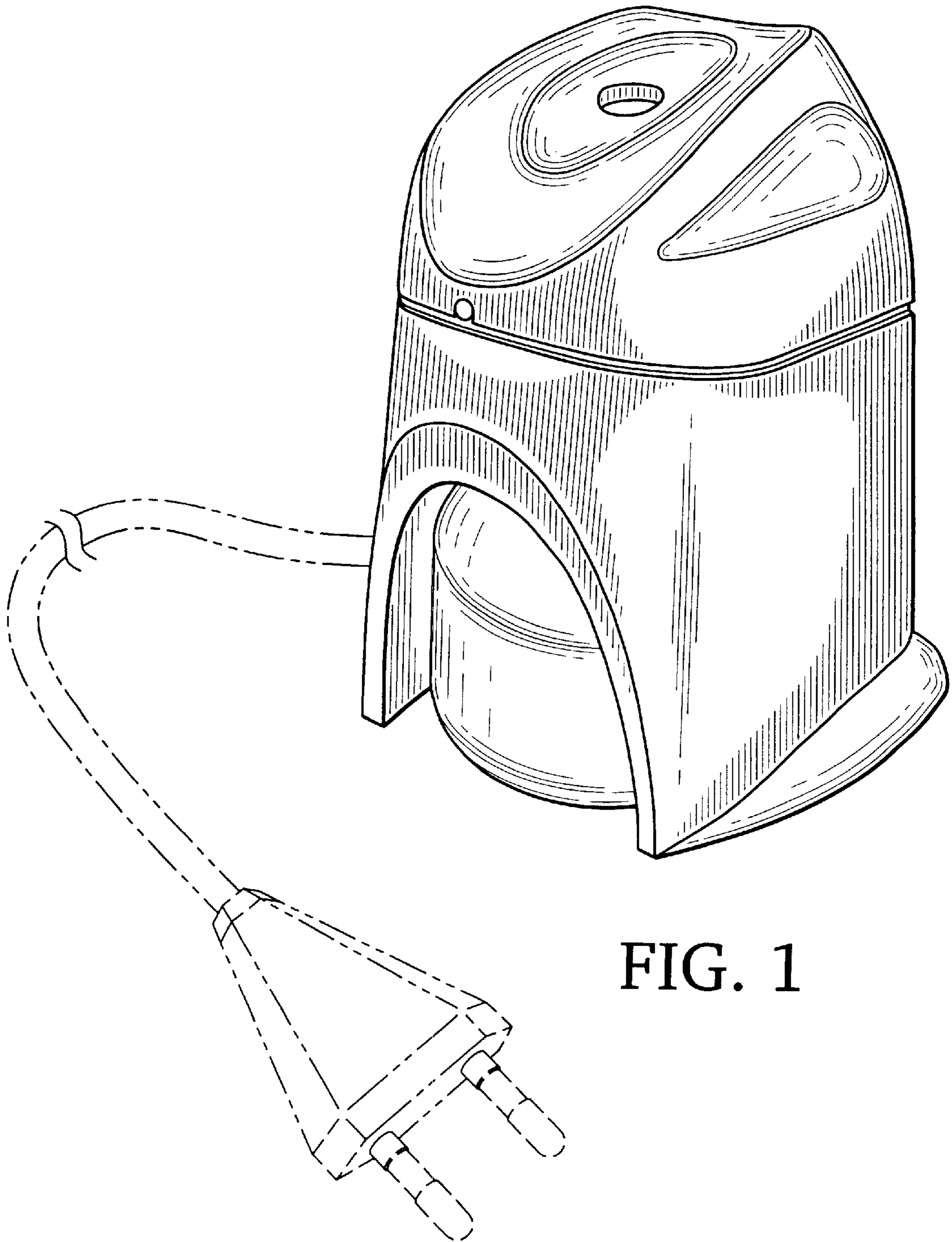


FIG. 1

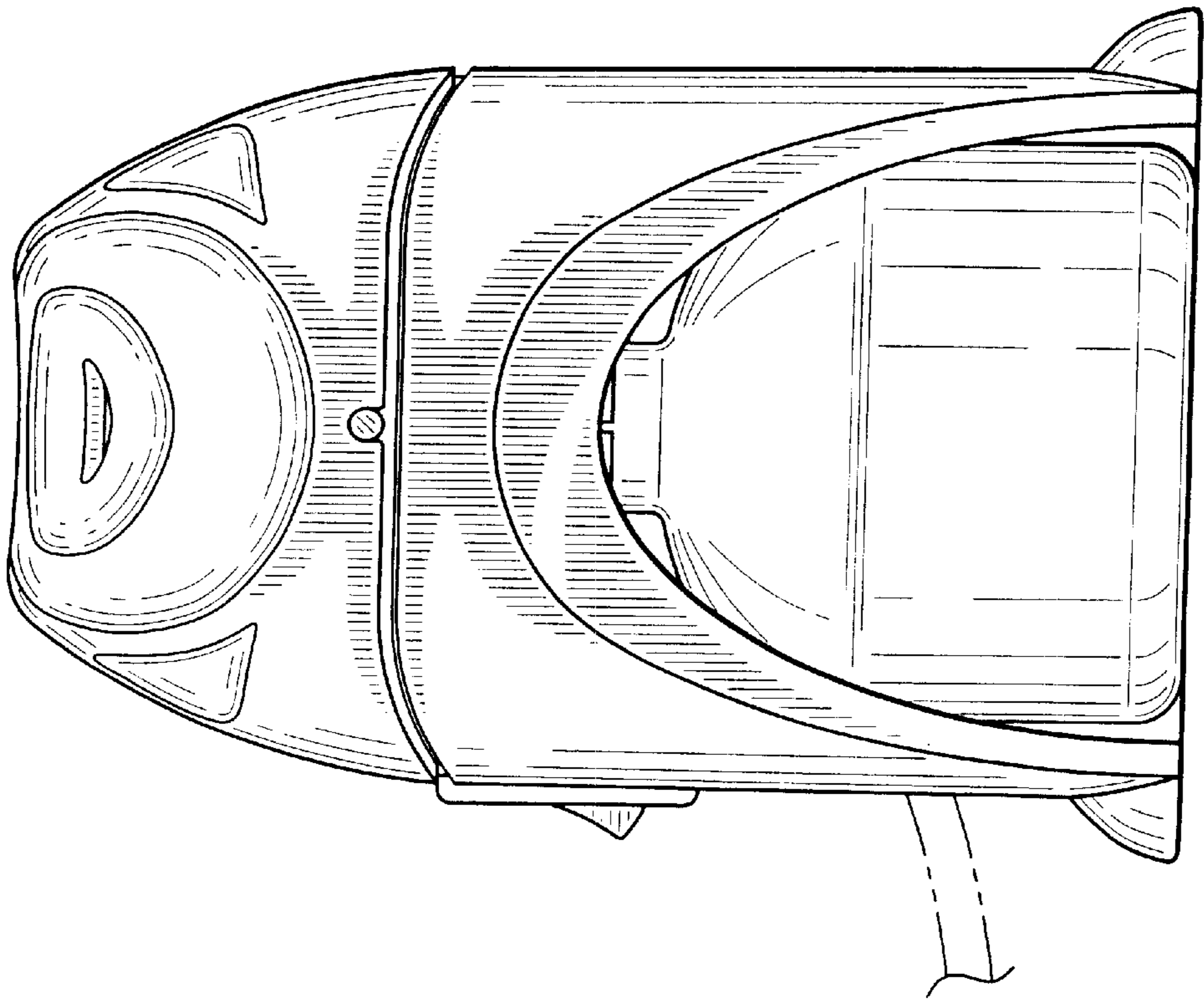


FIG. 2

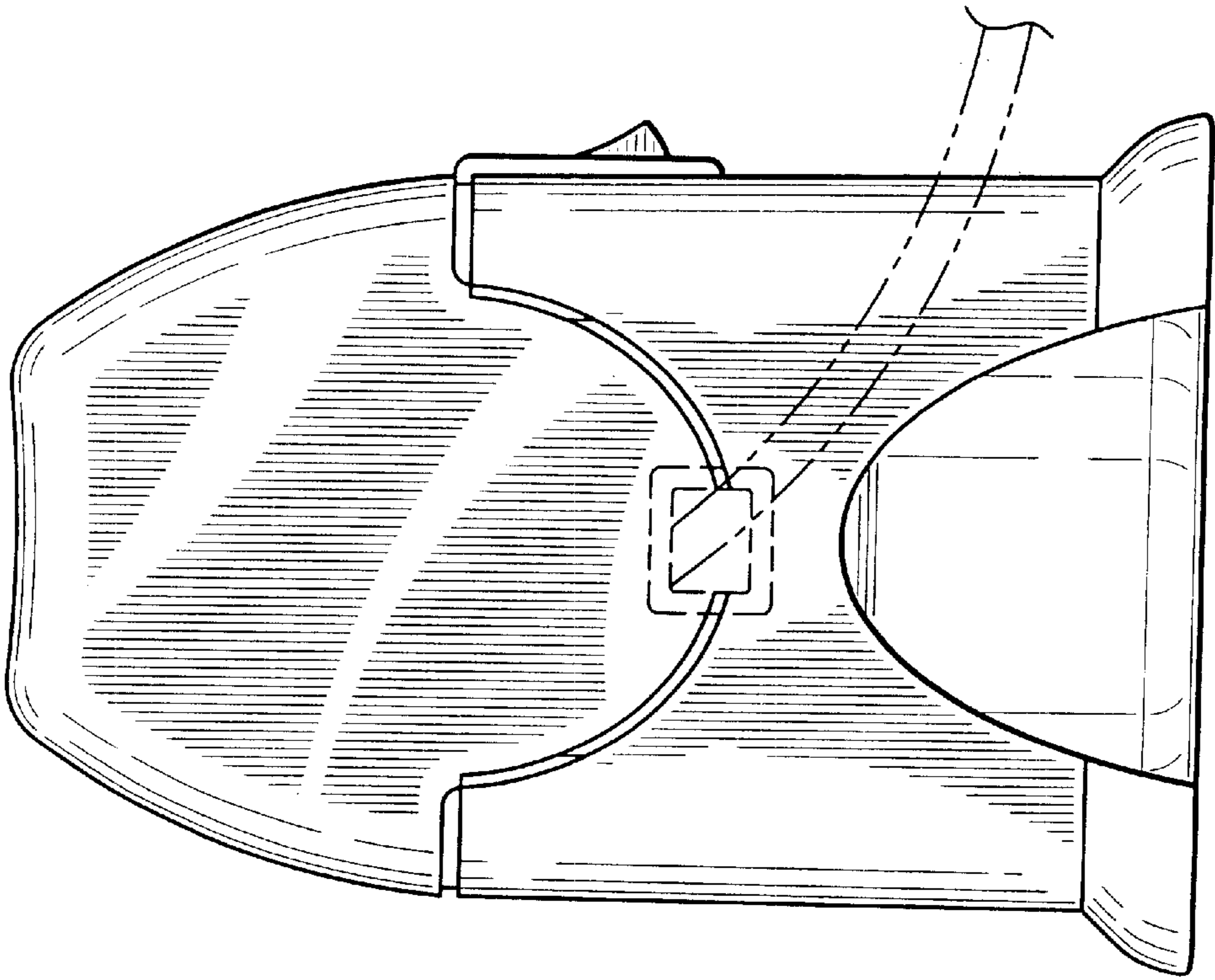


FIG. 3

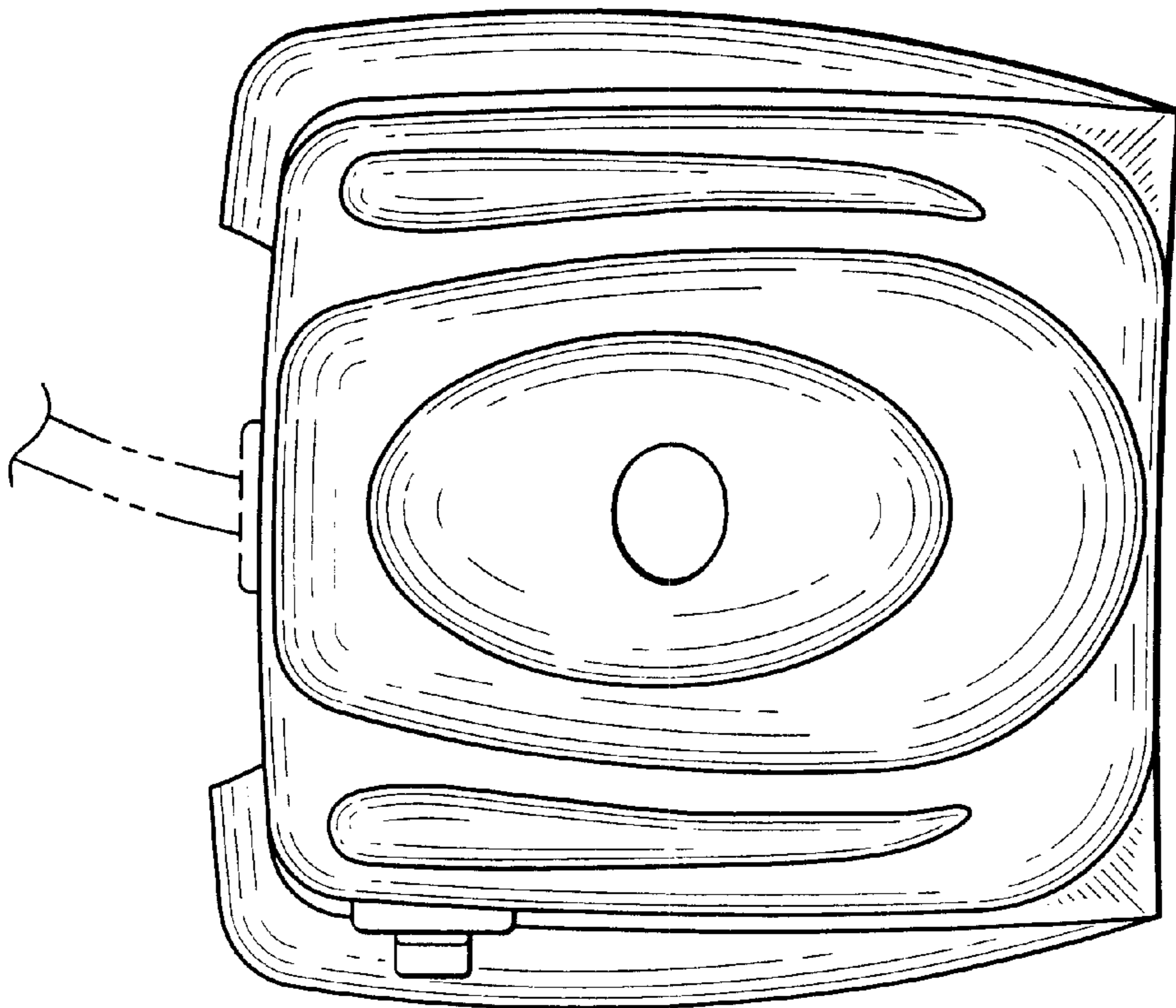


FIG. 4

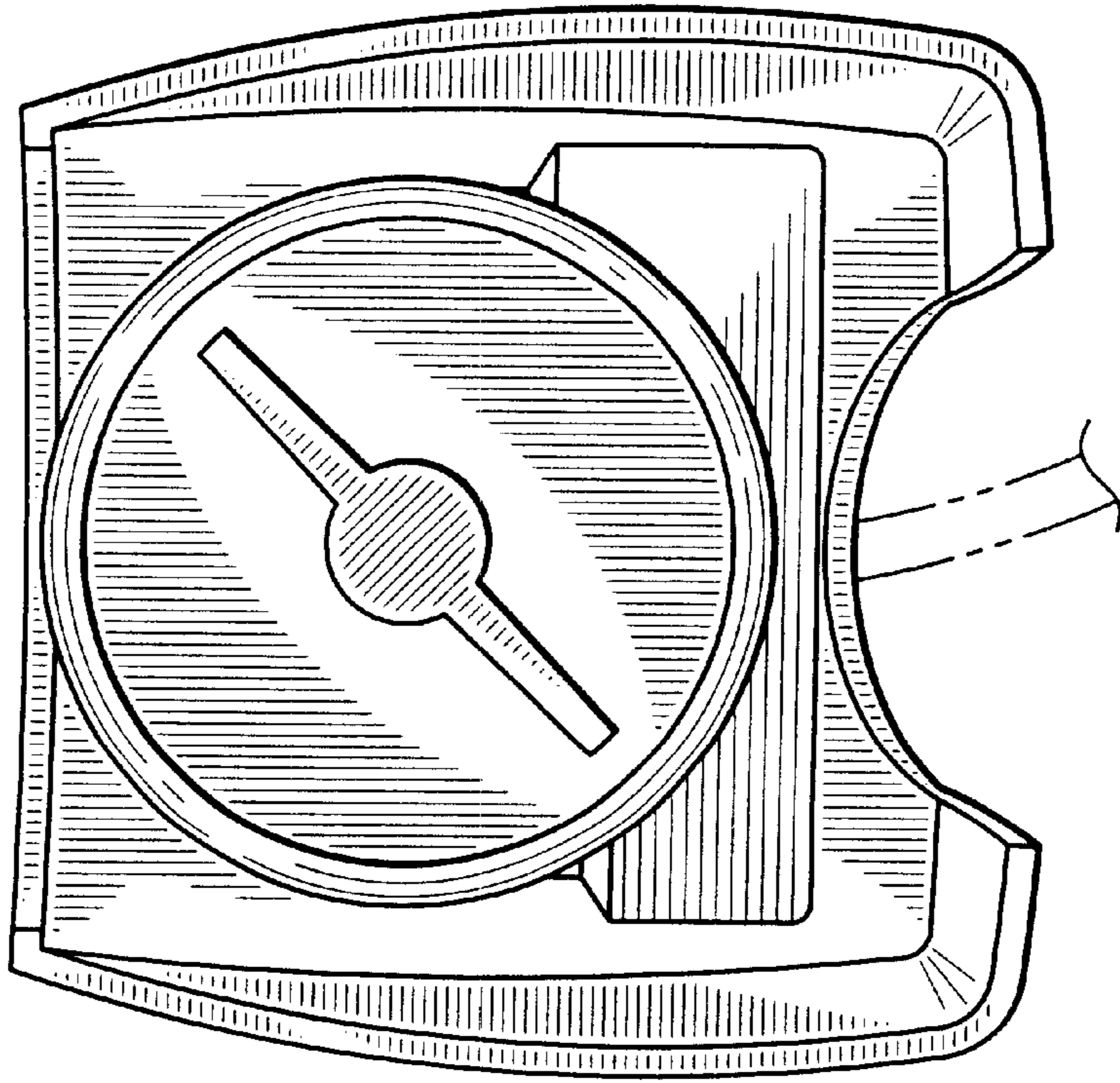


FIG. 5

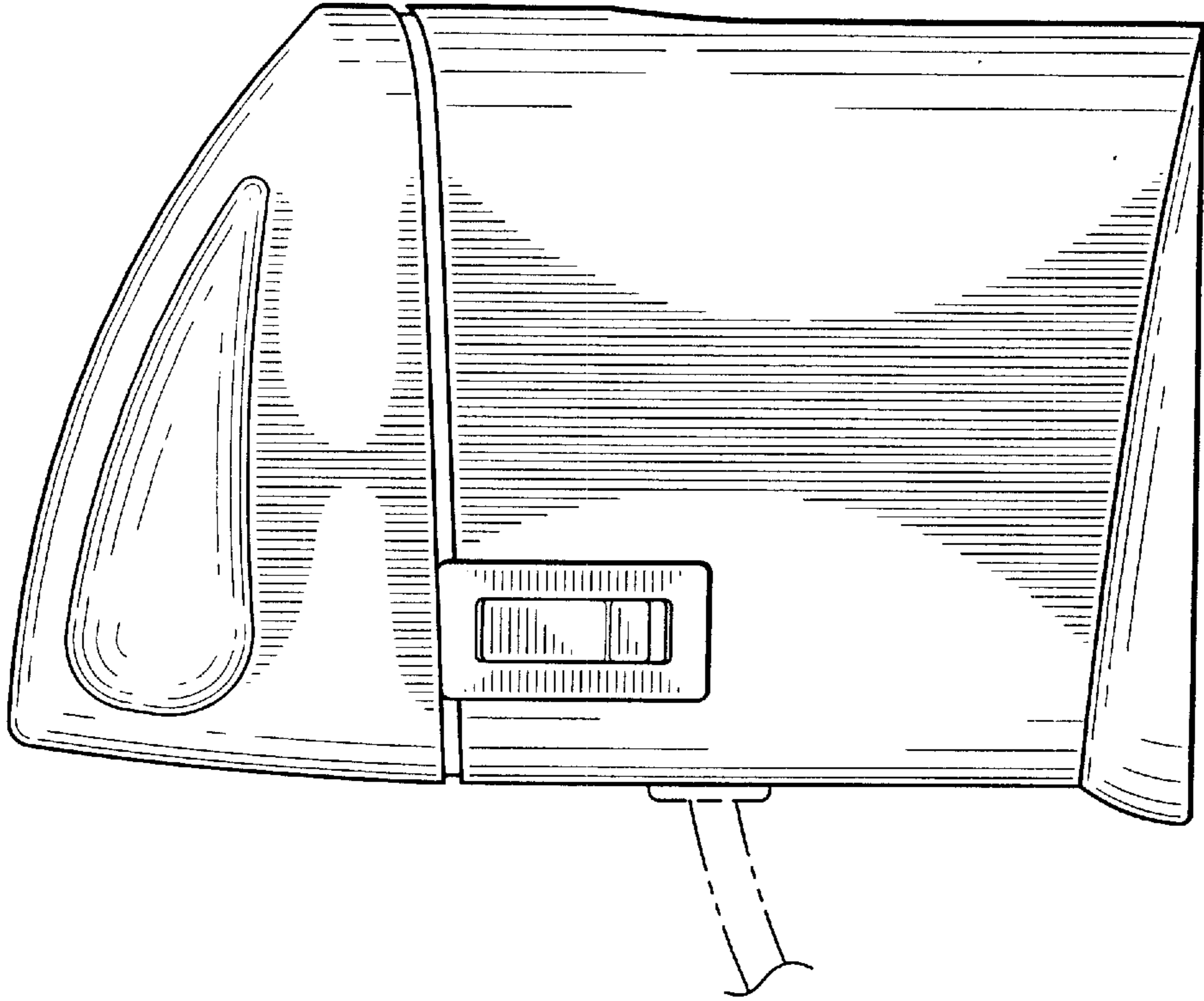


FIG. 7

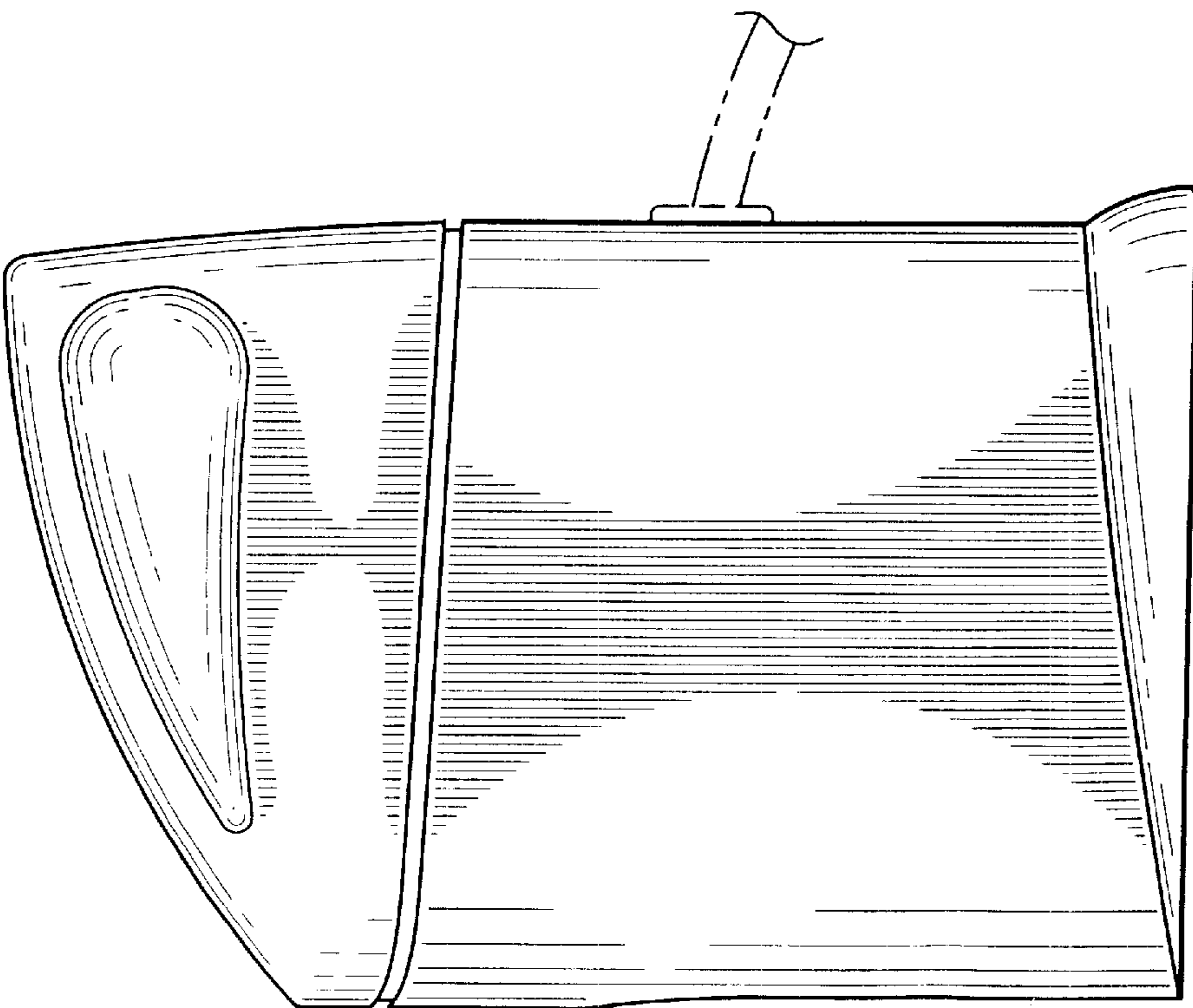


FIG. 6