



US00D460542S

(12) **United States Design Patent** (10) **Patent No.:** **US D460,542 S**  
**Li** (45) **Date of Patent:** **\*\* Jul. 16, 2002**

(54) **COMBINED VENTILATING FAN AND LIGHT**

(75) Inventor: **Chi-Wai Li**, Kowloon (HK)

(73) Assignee: **Bright Commence Industrial Ltd.**,  
Hong Kong (CN)

(\*\*) Term: **14 Years**

(21) Appl. No.: **29/150,108**

(22) Filed: **Nov. 6, 2001**

(51) **LOC (7) Cl.** ..... **23-04**

(52) **U.S. Cl.** ..... **D23/328; D23/382**

(58) **Field of Search** ..... D23/328, 370,  
D23/381, 382, 335; D26/50, 59; 416/146 R,  
247 R; 362/96

(56) **References Cited**

**U.S. PATENT DOCUMENTS**

D207,361 S	*	4/1967	Bruns	.....	D23/328
D297,858 S	*	9/1988	Chang	.....	D23/328
D314,617 S	*	2/1991	Yuen	.....	D23/370

\* cited by examiner

*Primary Examiner*—Lisa Lichtenstein  
(74) *Attorney, Agent, or Firm*—Burns, Doane, Swecker & Mathis, L.L.P.

(57) **CLAIM**

The ornamental design for combined ventilating fan and light, as shown and described.

**DESCRIPTION**

FIG. 1 is a front view of a “combined ventilating fan and light” showing my design;  
 FIG. 2 is a rear side view thereof;  
 FIG. 3 is a left side view thereof;  
 FIG. 4 is a right side view thereof;  
 FIG. 5 is a top plan view thereof;  
 FIG. 6 is a bottom view thereof;  
 FIG. 7 is a perspective view thereof, with the handle in an alternative configuration;  
 FIG. 8 is a rear perspective view thereof; and,  
 FIG. 9 is a perspective view in an alternate position.

**1 Claim, 9 Drawing Sheets**

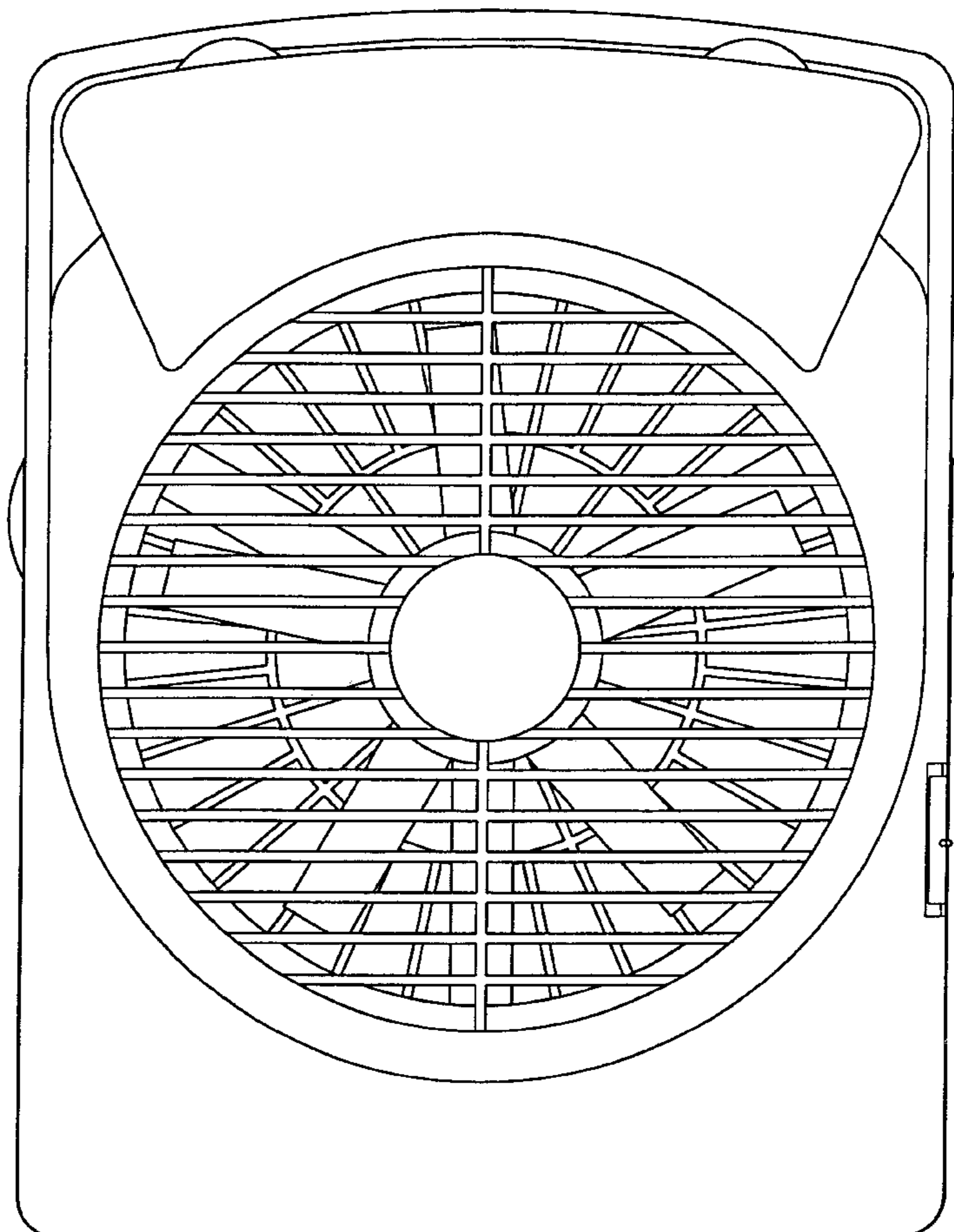


FIG. 1

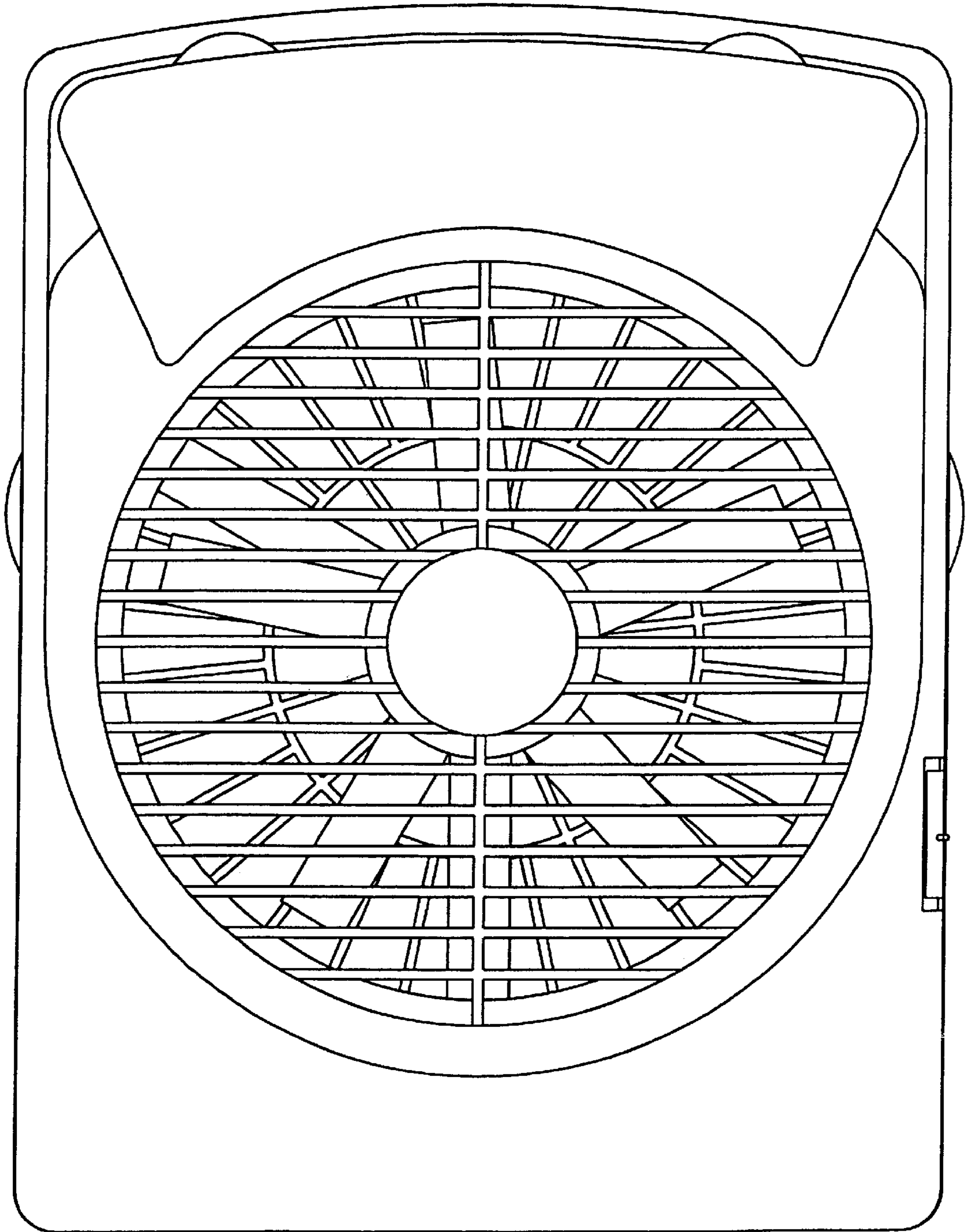


FIG. 2

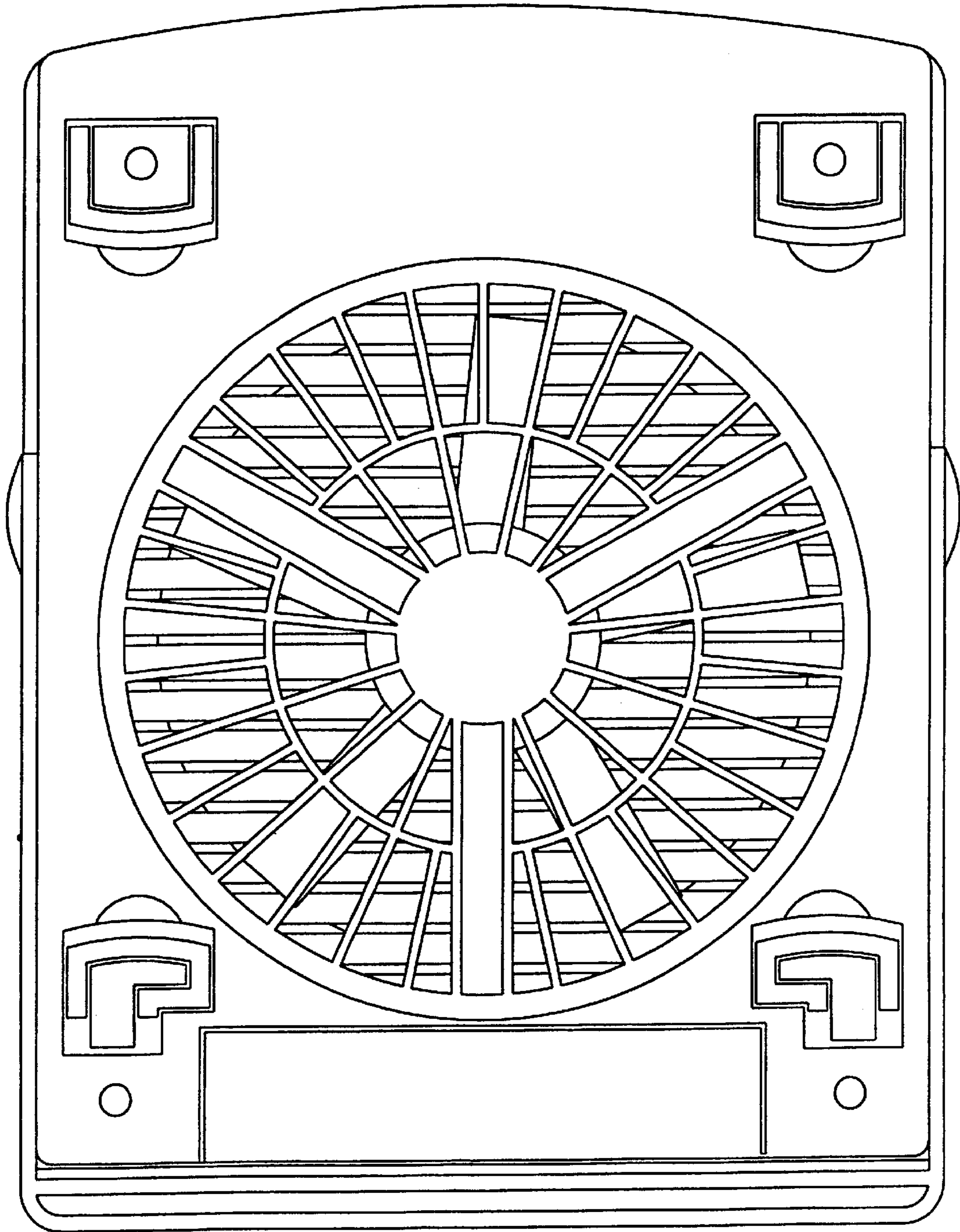


FIG. 3

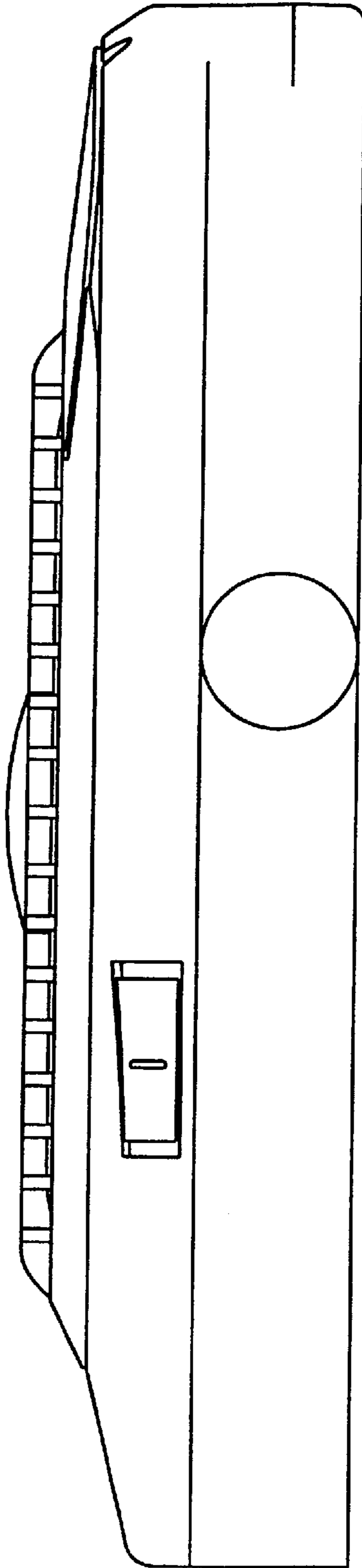


FIG. 4

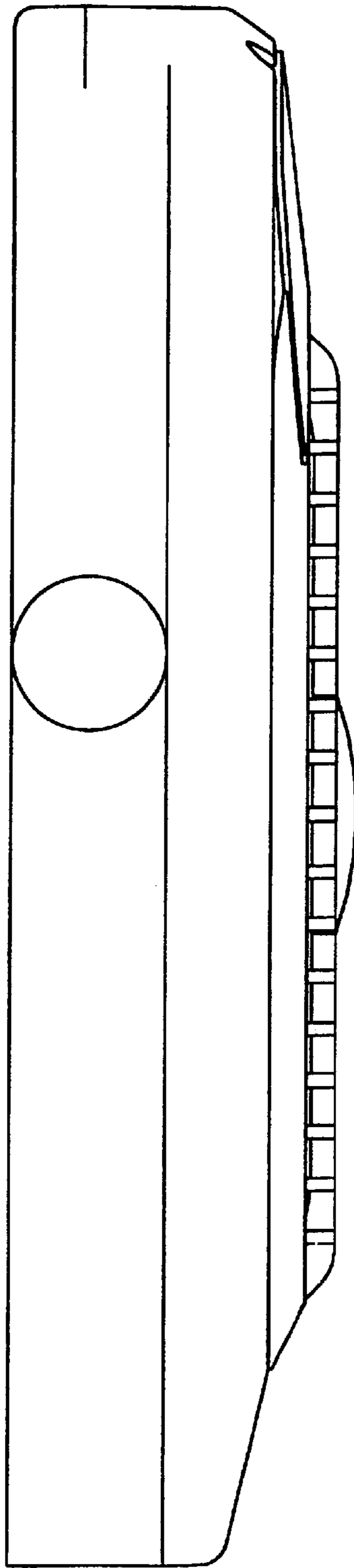


FIG. 5

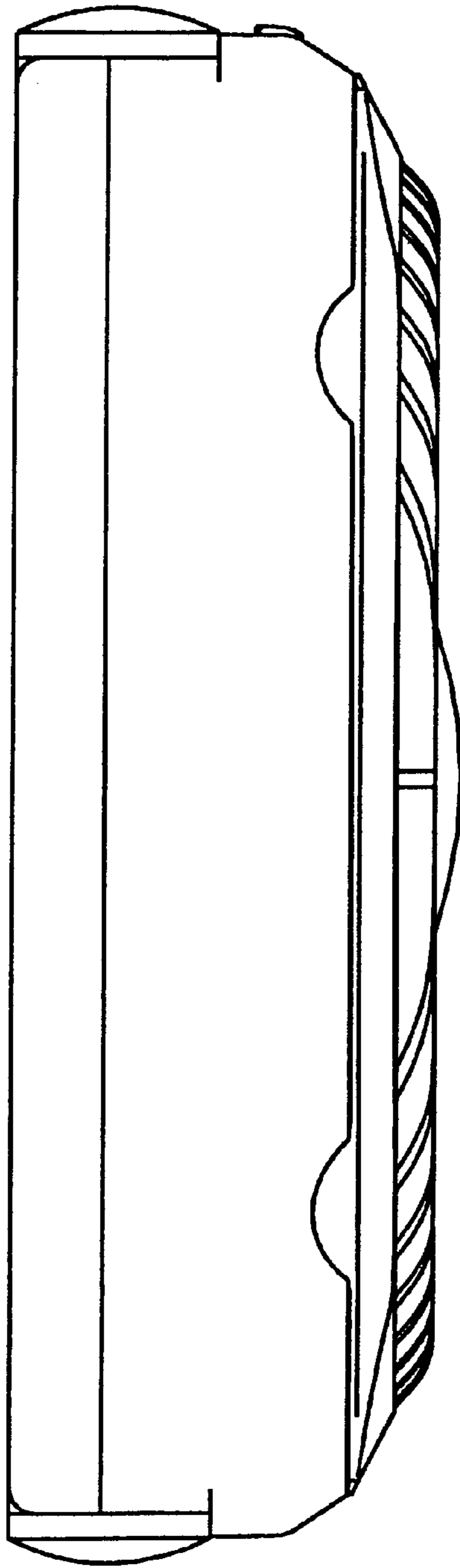


FIG. 6

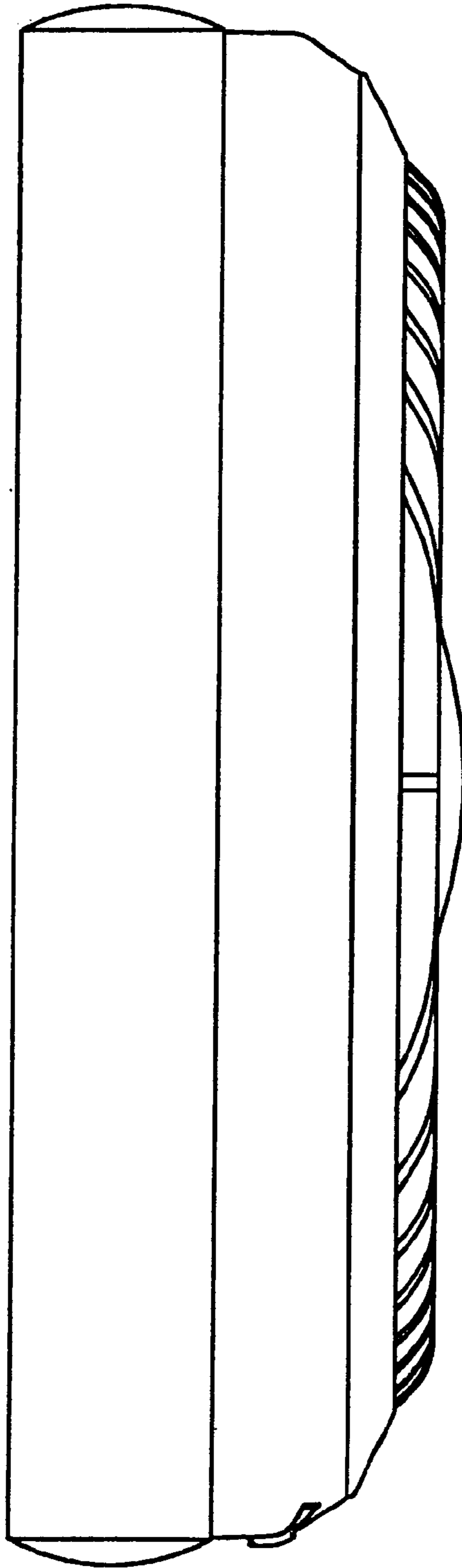


FIG. 7

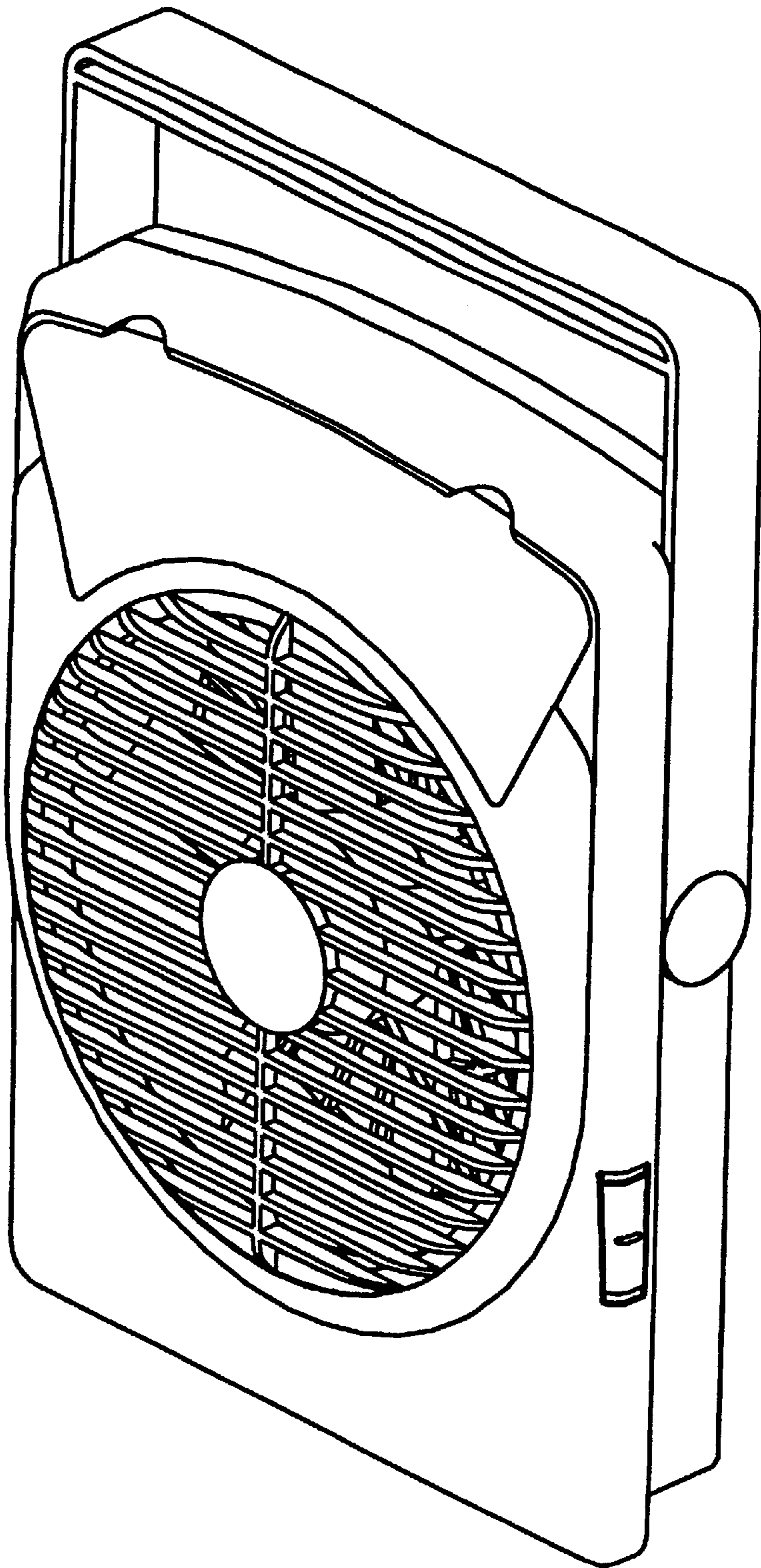




FIG. 8

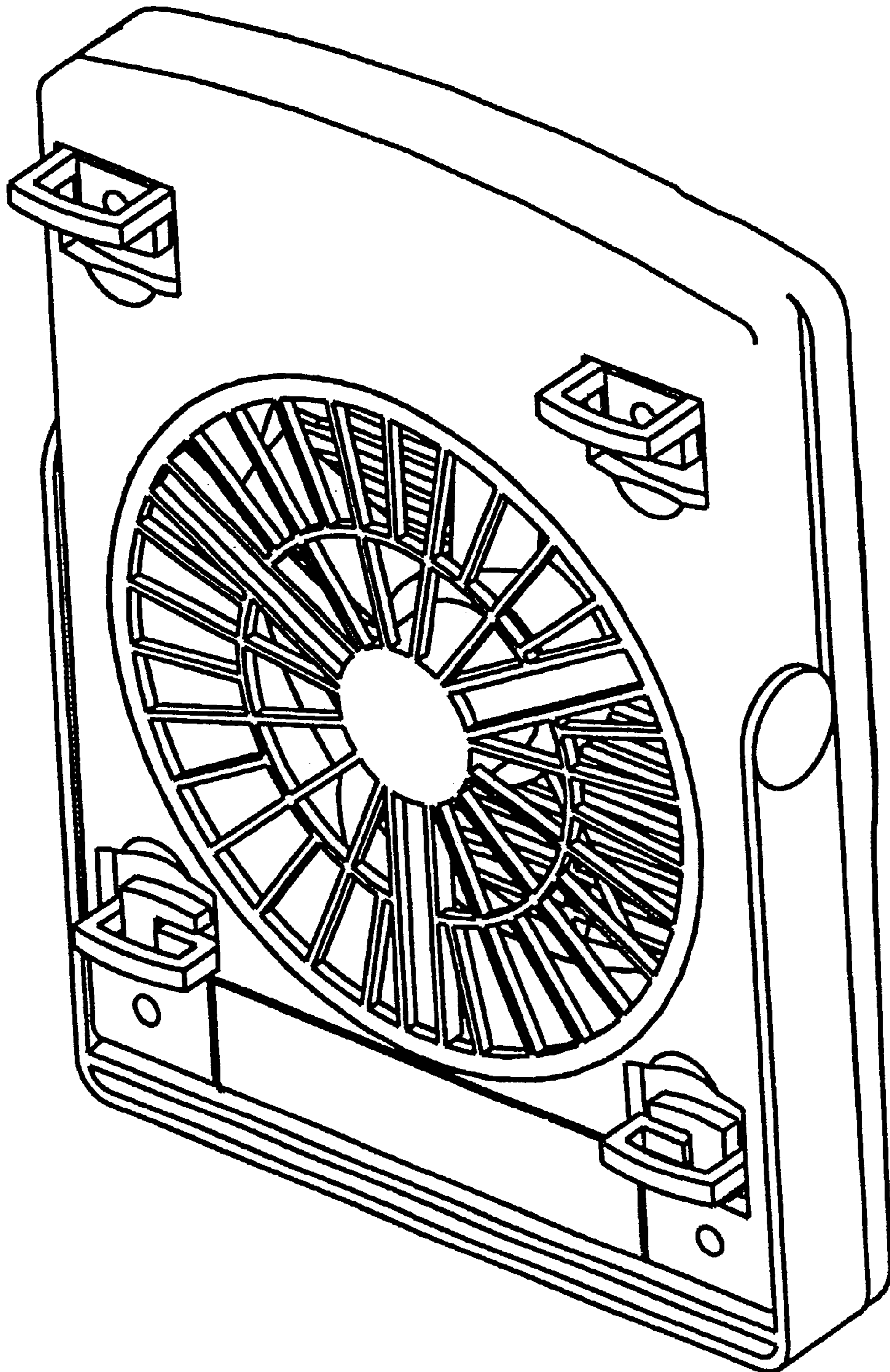


FIG. 9

