



US00D460540S

(12) **United States Design Patent**
Ratia

(10) **Patent No.:** **US D460,540 S**

(45) **Date of Patent:** **** Jul. 16, 2002**

(54) **SAUNA STOVE**

(75) **Inventor:** **Ristomatti Ratia**, Tallinn (EE)

(73) **Assignee:** **Saunatec Oyj**, Hanko (FI)

(**) **Term:** **14 Years**

(21) **Appl. No.:** **29/128,340**

(22) **Filed:** **Aug. 23, 2000**

(30) **Foreign Application Priority Data**

Feb. 24, 2000 (FI) M-20000131

(51) **LOC (7) Cl.** **23-03**

(52) **U.S. Cl.** **D23/315**

(58) **Field of Search** D23/315; 220/4.24;
392/333, 324, 444; 126/344, 72; 4/524;
122/4 R, 5, DIG. 10

(56) **References Cited**

U.S. PATENT DOCUMENTS

- 2,494,113 A * 1/1950 Whitaker
- 3,022,782 A * 2/1962 Bryant
- 3,110,797 A * 11/1963 Vanne et al.
- D202,533 S * 10/1965 Scott

- D204,350 S * 4/1966 Nord et al.
- 3,299,443 A * 1/1967 Ketola
- 3,400,248 A * 9/1968 Isomaa
- D221,433 S * 8/1971 Erickson et al.

FOREIGN PATENT DOCUMENTS

FI 21091 1/2000

* cited by examiner

Primary Examiner—B. J. Bullock

(74) *Attorney, Agent, or Firm*—Ladas & Parry

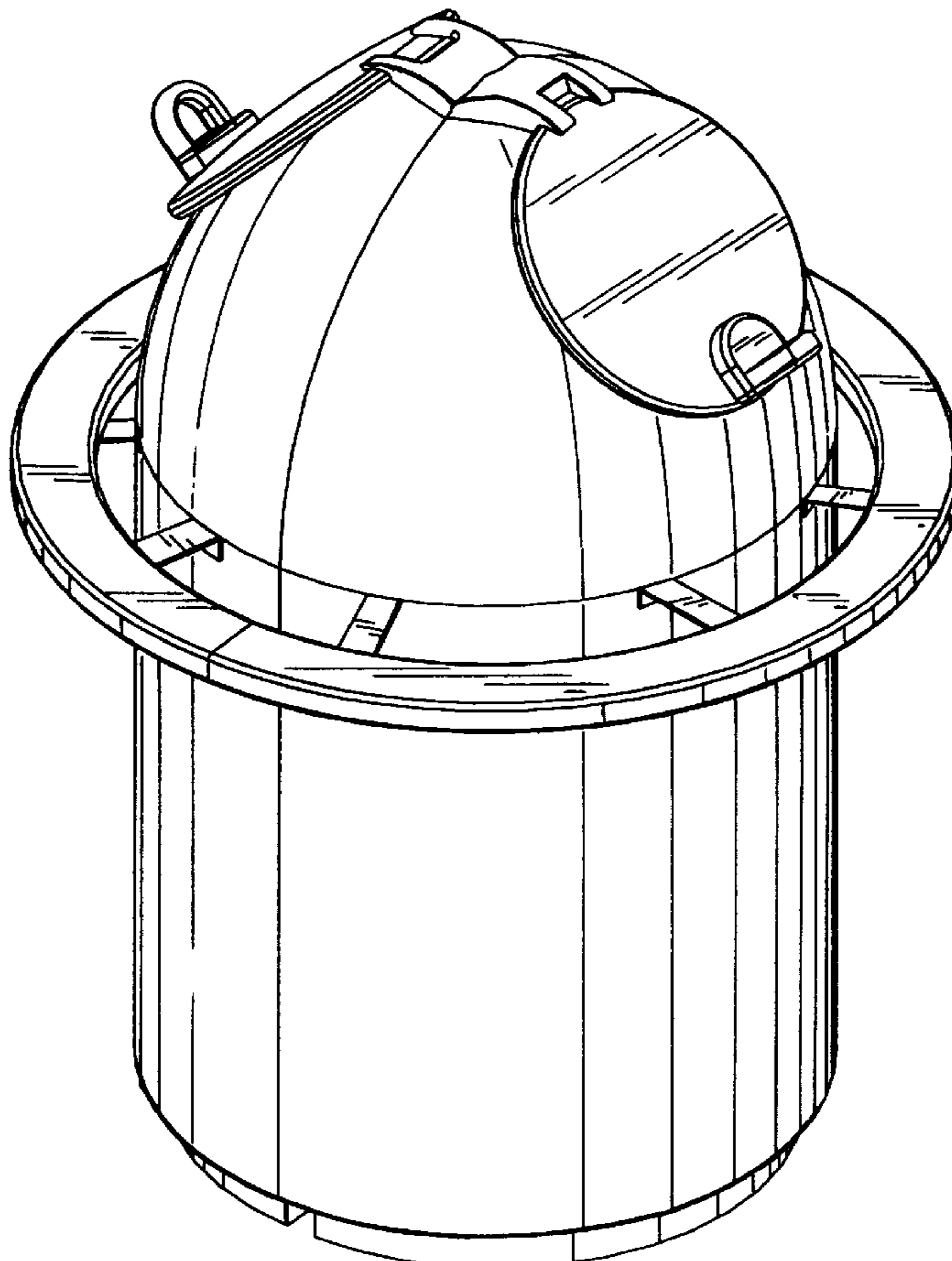
(57) **CLAIM**

The ornamental design for a sauna stove, as shown and described.

DESCRIPTION

FIG. 1 is a perspective top view of a sauna stove showing my new design;
 FIG. 2 is a front view thereof, the rear side being a mirror image;
 FIG. 3 is a side view of one side thereof, the other side being a mirror image;
 FIG. 4 is a top view thereof; and,
 FIG. 5 is a bottom view thereof.

1 Claim, 2 Drawing Sheets



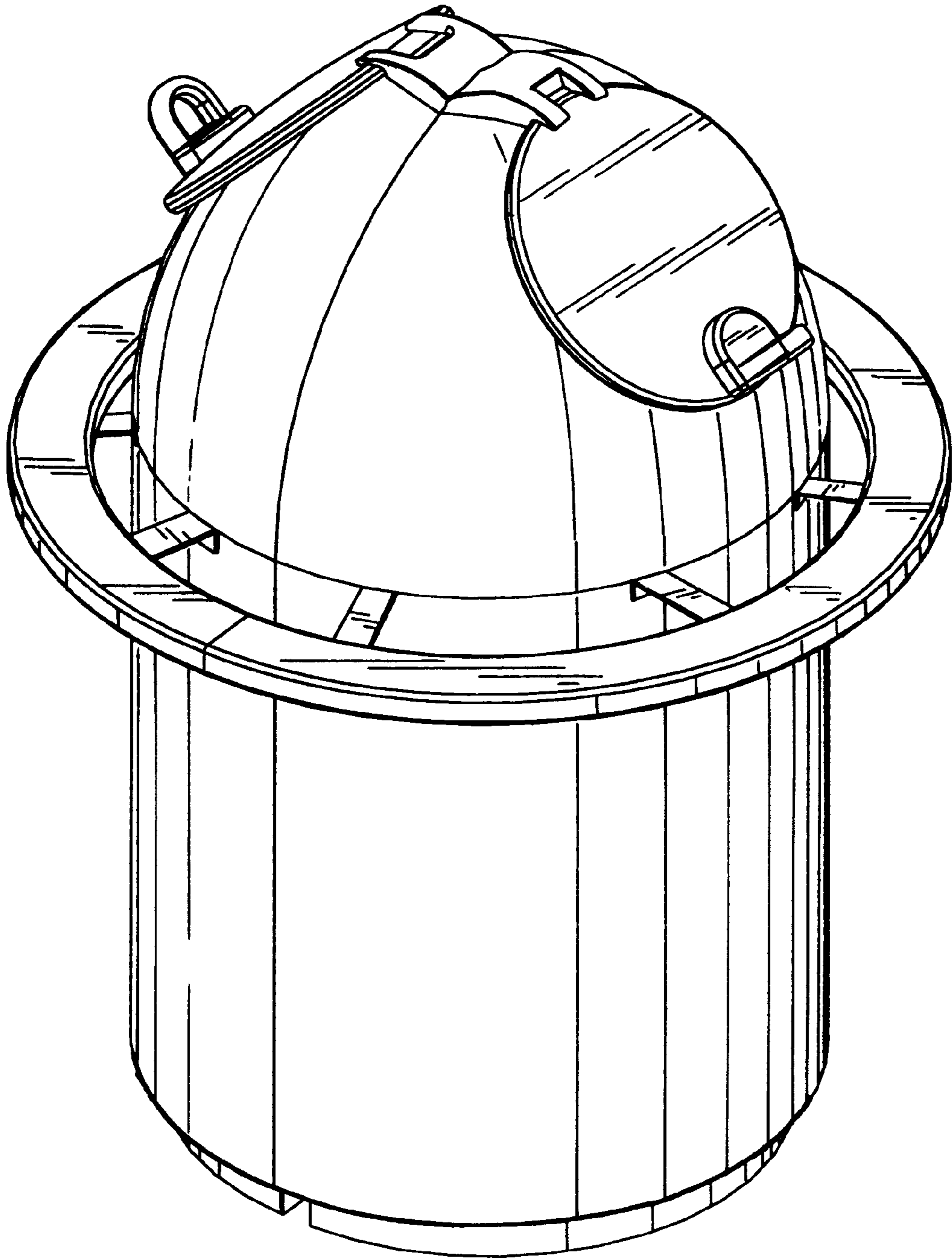


FIG. 1

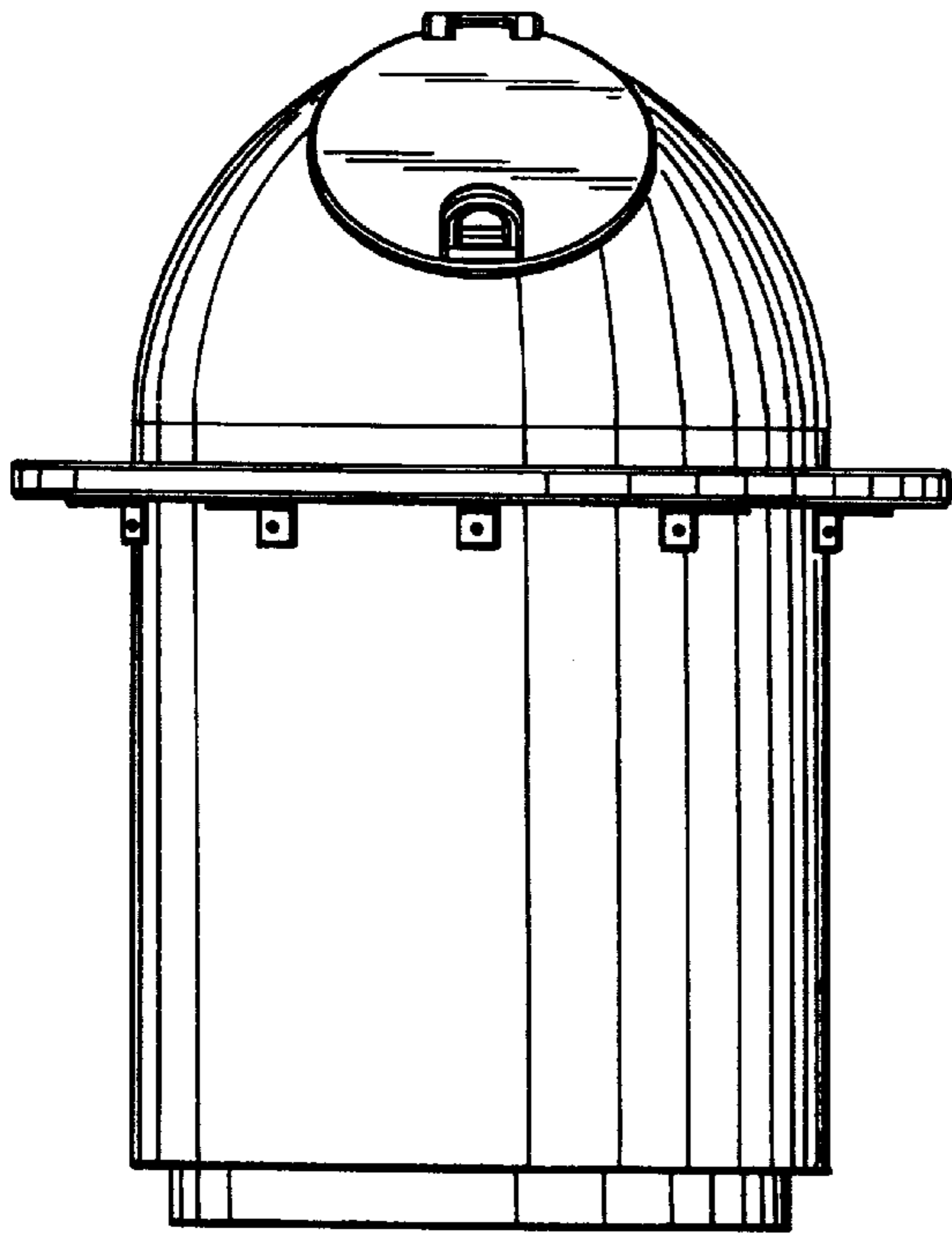


FIG. 3

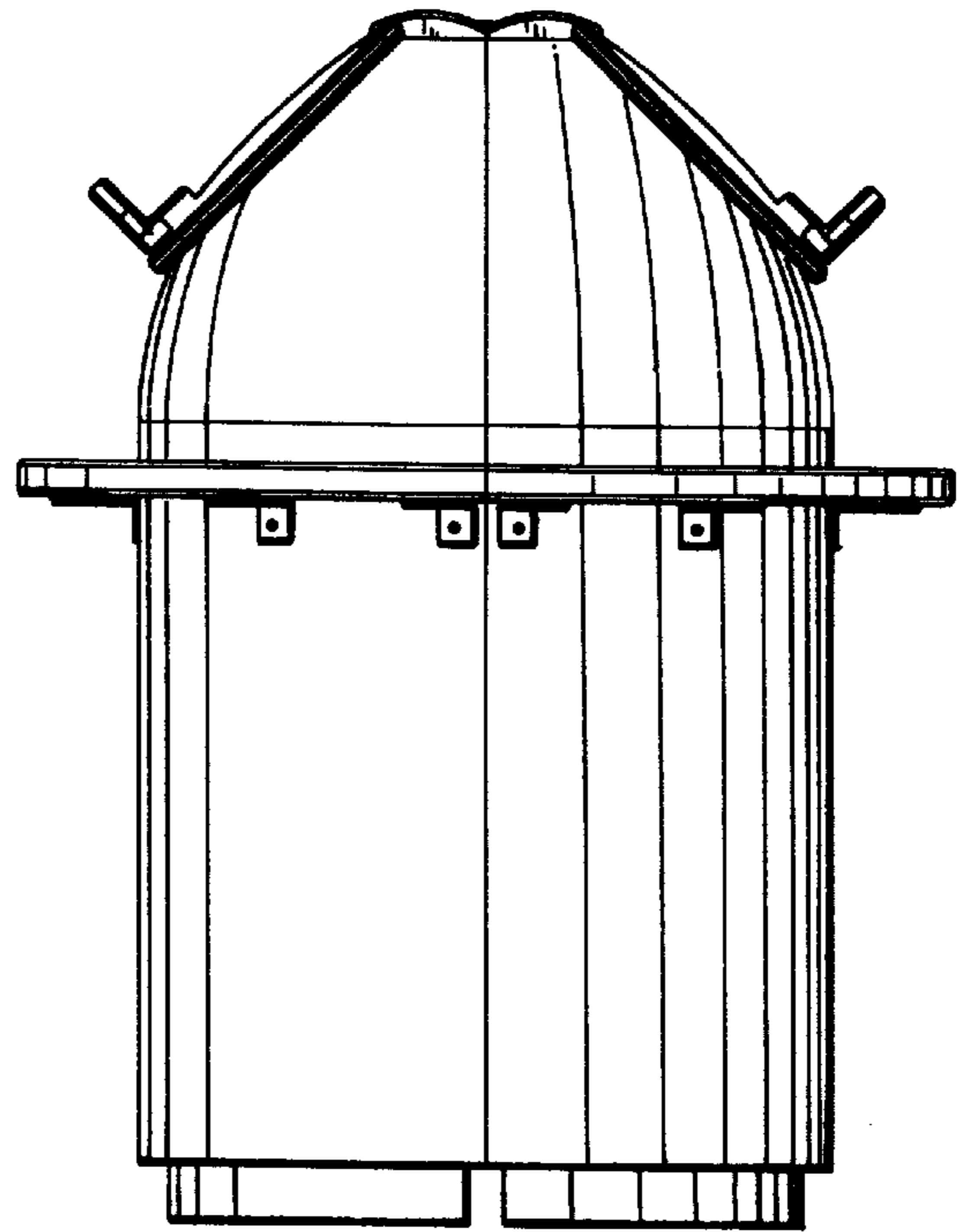


FIG. 2

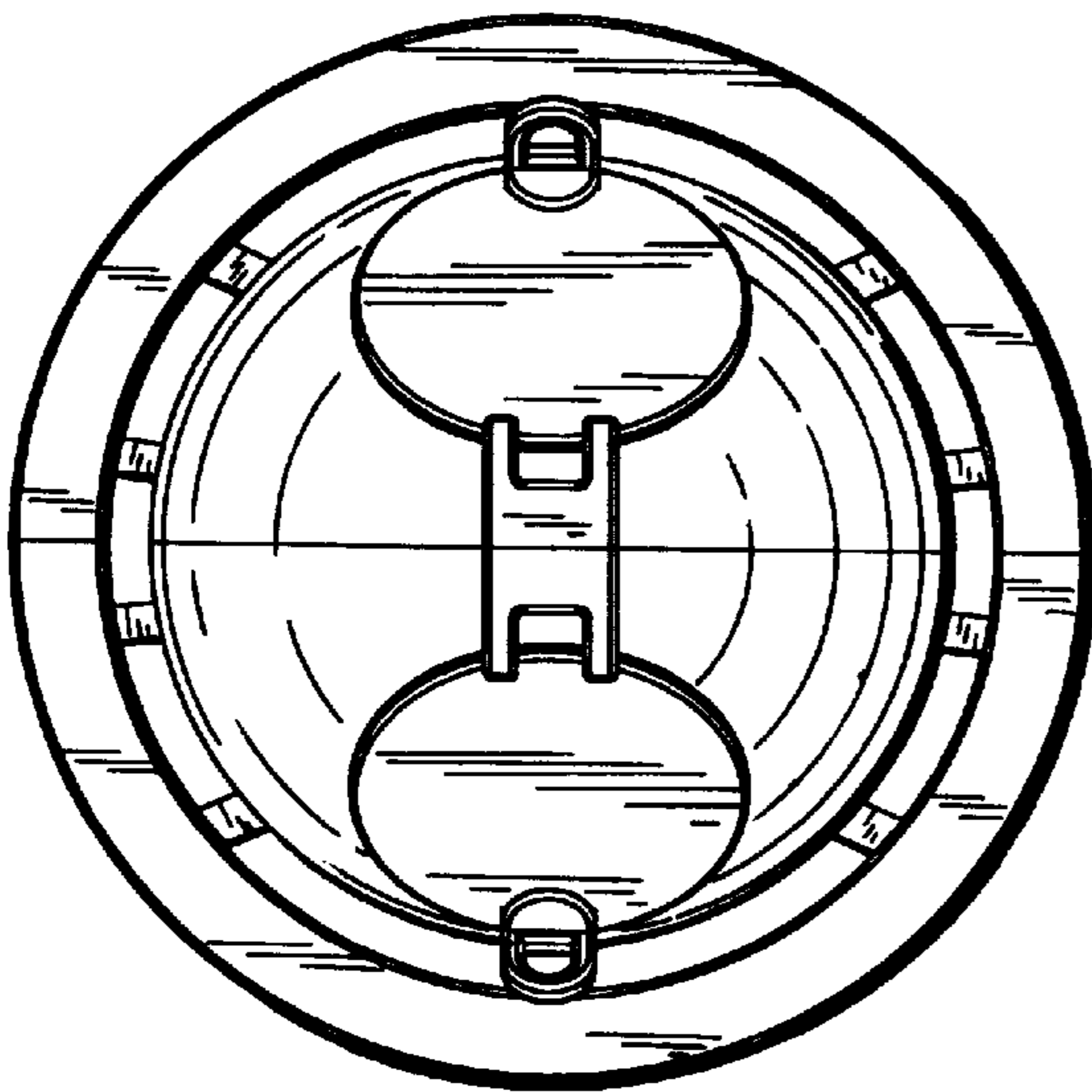


FIG. 4

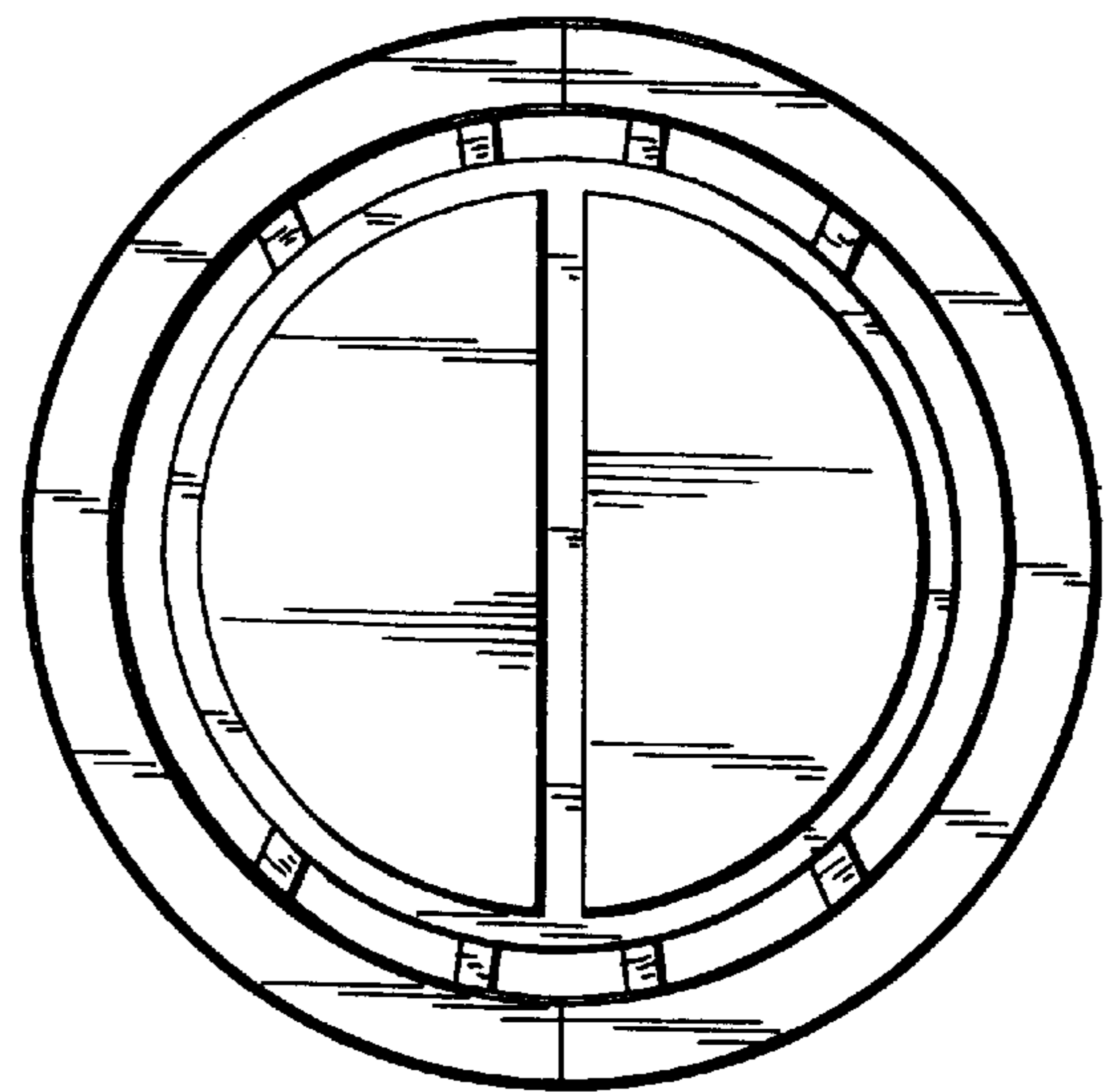


FIG. 5