



US00D460539S

(12) **United States Design Patent**
Lundström

(10) **Patent No.:** **US D460,539 S**

(45) **Date of Patent:** **** Jul. 16, 2002**

(54) **PORTABLE URINAL CLOSET**

GB 1104943 * 8/1965 D25/16

(76) Inventor: **Krister Lundström**, Mastvägen 2,
S-613 35 Oxelösund (SE)

OTHER PUBLICATIONS

Domus, Feb. 1975: Capanna Guscio Shelter Hut, p. 32;
D25/16 patent shoe.*

(**) Term: **14 Years**

* cited by examiner

(21) Appl. No.: **29/123,479**

Primary Examiner—Louis S. Zarfes

(22) Filed: **May 19, 2000**

Assistant Examiner—Robert A. Delehanty

(30) **Foreign Application Priority Data**

(74) *Attorney, Agent, or Firm*—Dykema Gossett PLLC

Nov. 19, 1999 (SE) 99-2090

(57) **CLAIM**

(51) **LOC (7) Cl.** **23-02**

The ornamental design for a portable urinal closet, as shown and described.

(52) **U.S. Cl.** **D23/302**; D25/16

(58) **Field of Search** D23/270–272,
D23/295, 300, 299, 302–303, 309, 310;
4/300, 449, 459, 460, 462, 463, 476–477,
479–482, 664, DIG. 15; D25/16, 31

DESCRIPTION

(56) **References Cited**

FIG. 1 is a perspective view of a portable urinal closet according to my new and ornamental design, the two depicted entry doors being shown in closed positions, FIG. 2 is another perspective view thereof, one of the depicted entry doors being shown in an opened position, FIG. 3 is a first elevation thereof, the two depicted doors being shown in closed positions, the opposite side view being identical when all four doors of the portable urinal closet are in closed positions, FIG. 4 is a second elevation thereof, one of the depicted doors being shown in an opened position; and, FIG. 5 is a top plan view thereof.

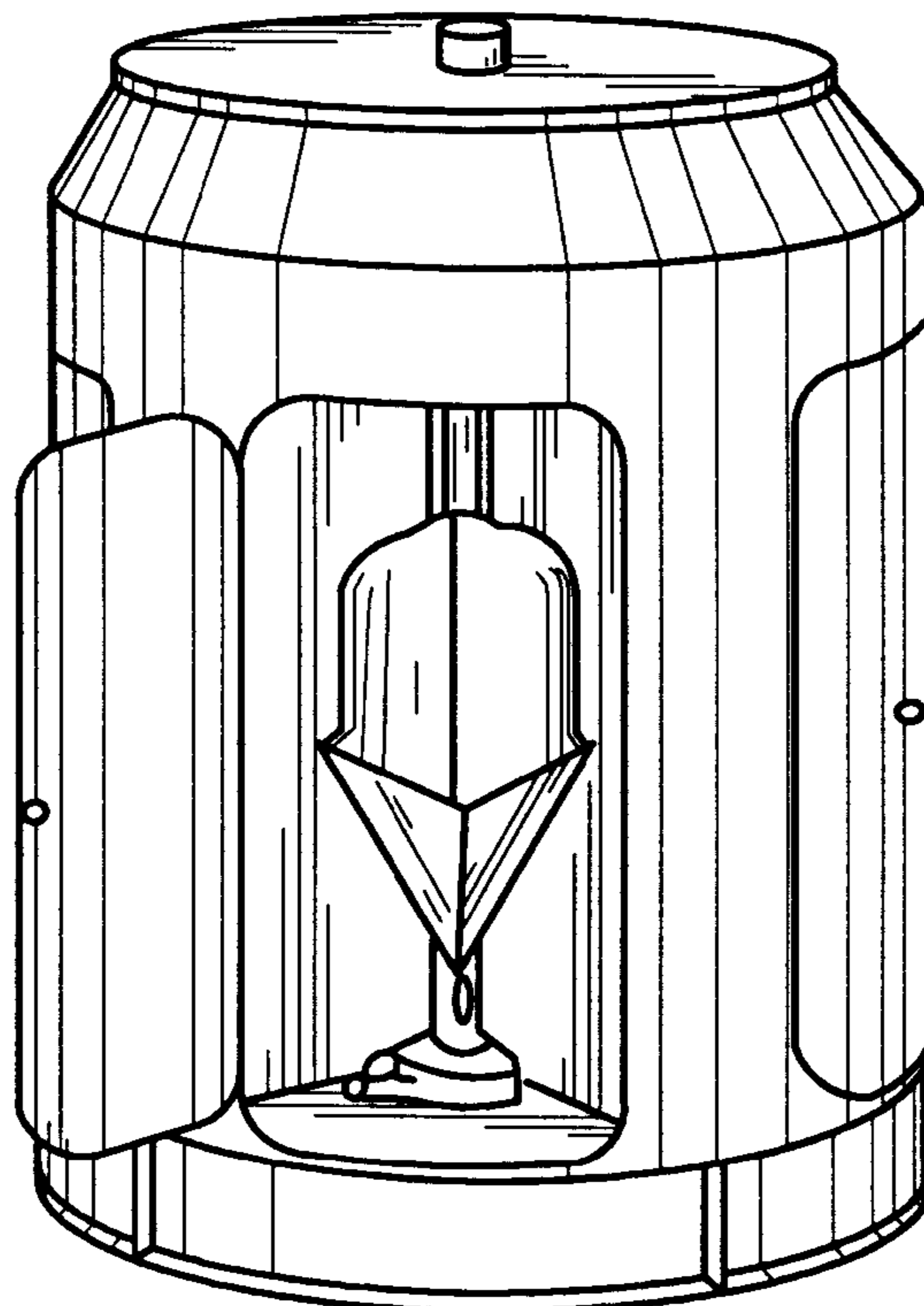
U.S. PATENT DOCUMENTS

- 4,163,294 A * 8/1979 Patterson D25/16 X
- 5,647,074 A * 7/1997 White, Jr. et al. 4/664
- D411,291 S * 6/1999 Dawson D23/299
- 5,978,986 A * 11/1999 Lunow et al. 4/664

FOREIGN PATENT DOCUMENTS

- DE 2338441 * 7/1973 D25/16
- GB 527646 * 10/1940 D25/16

1 Claim, 3 Drawing Sheets



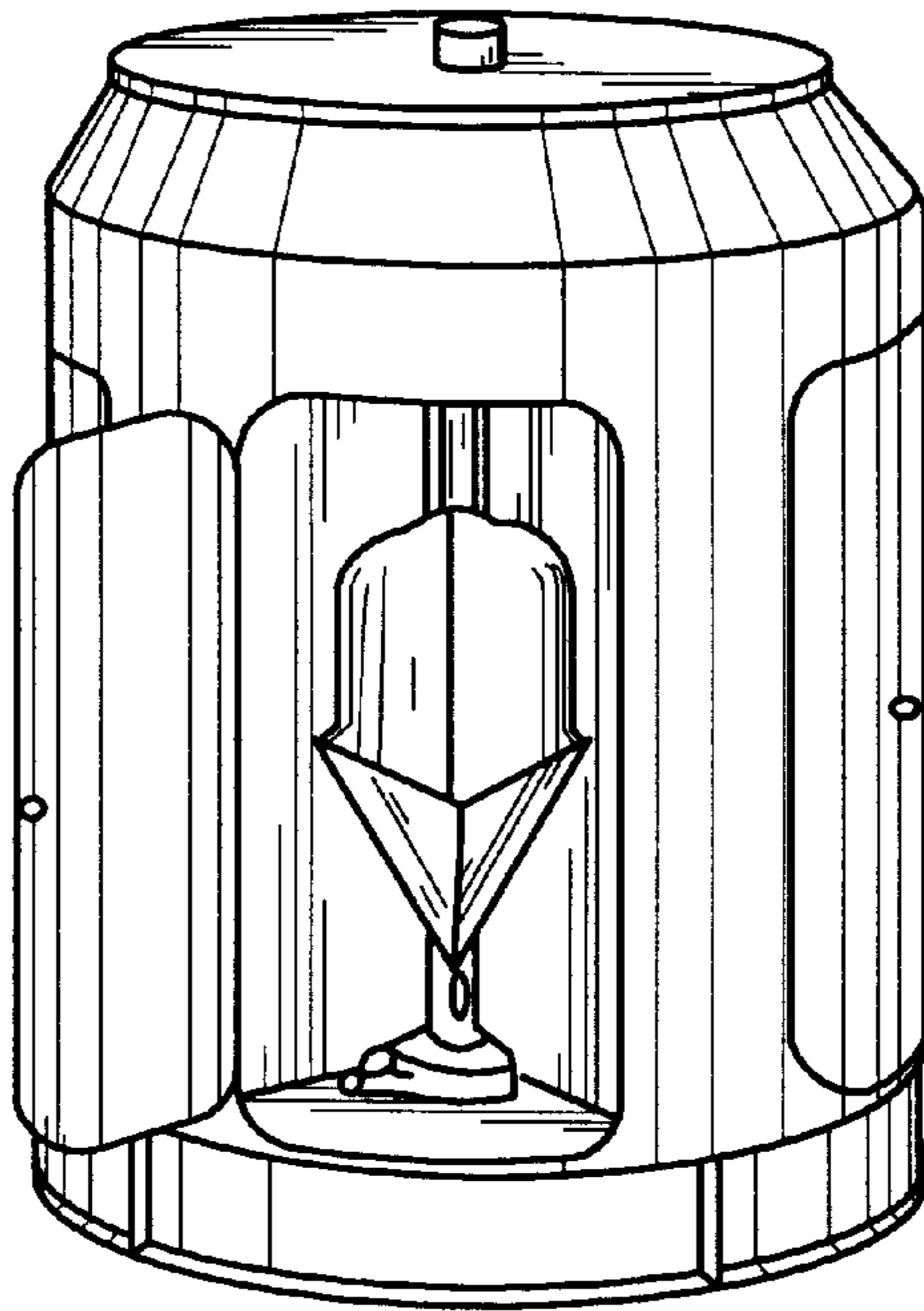


FIG. 2

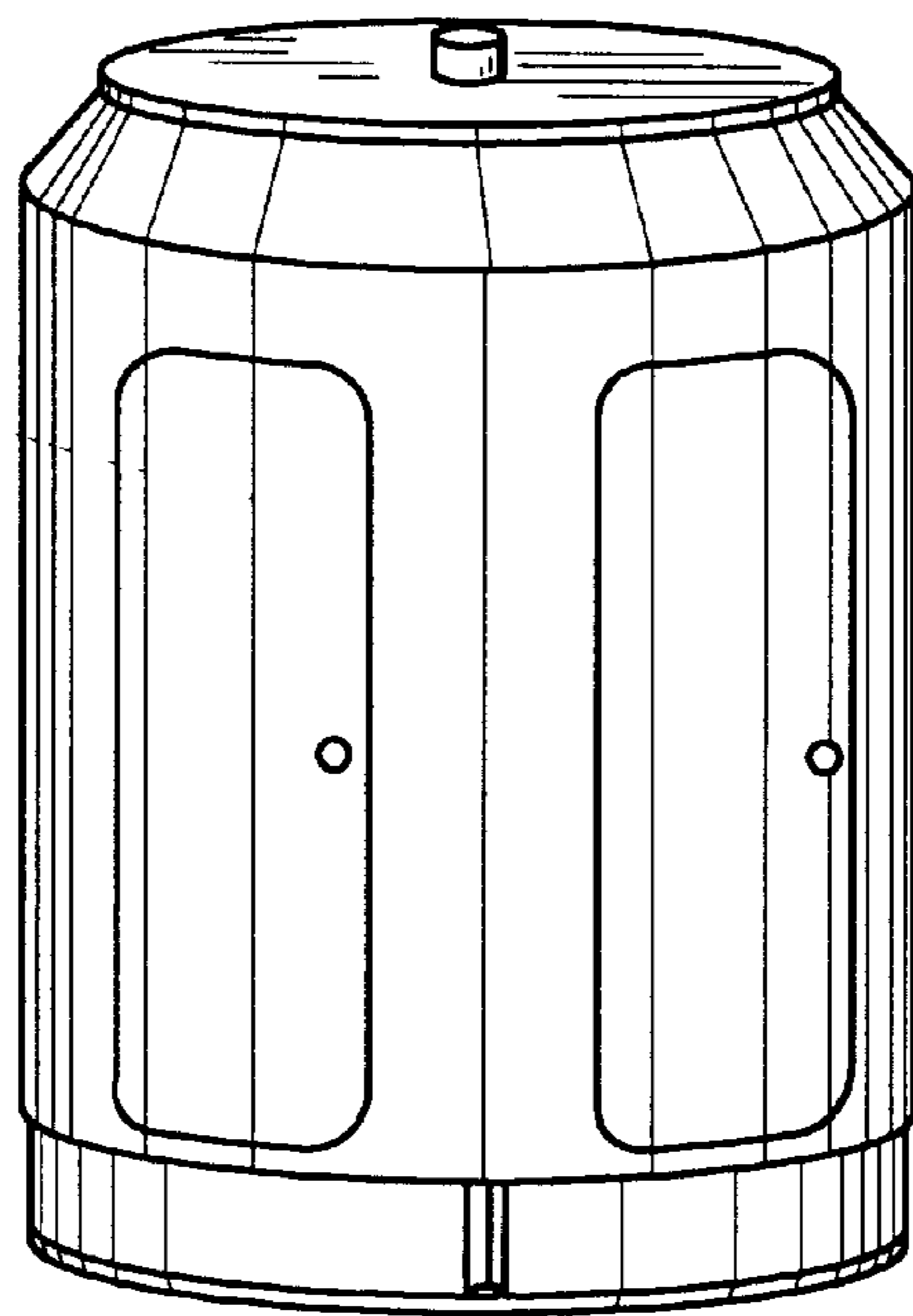


FIG. 1

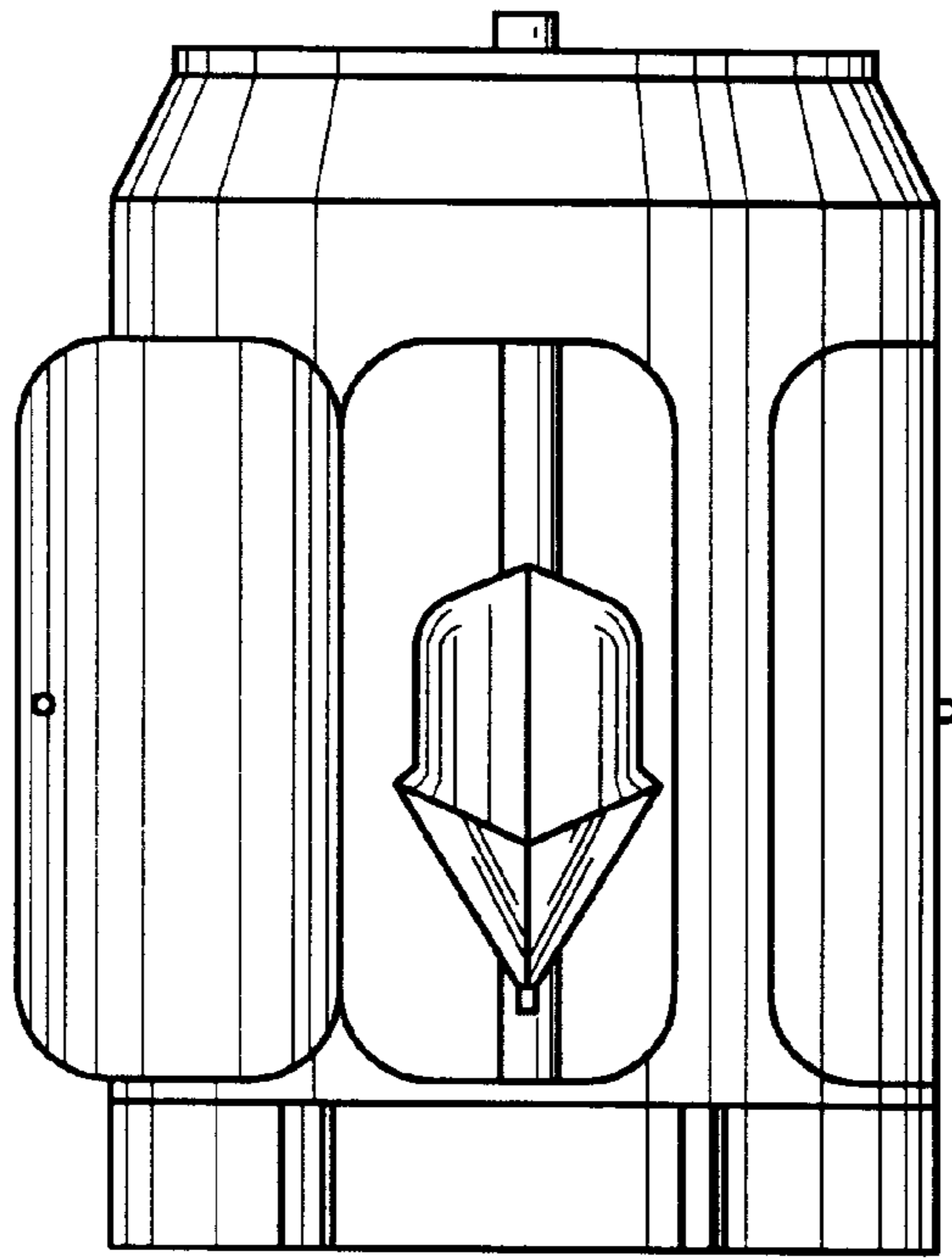


FIG. 4

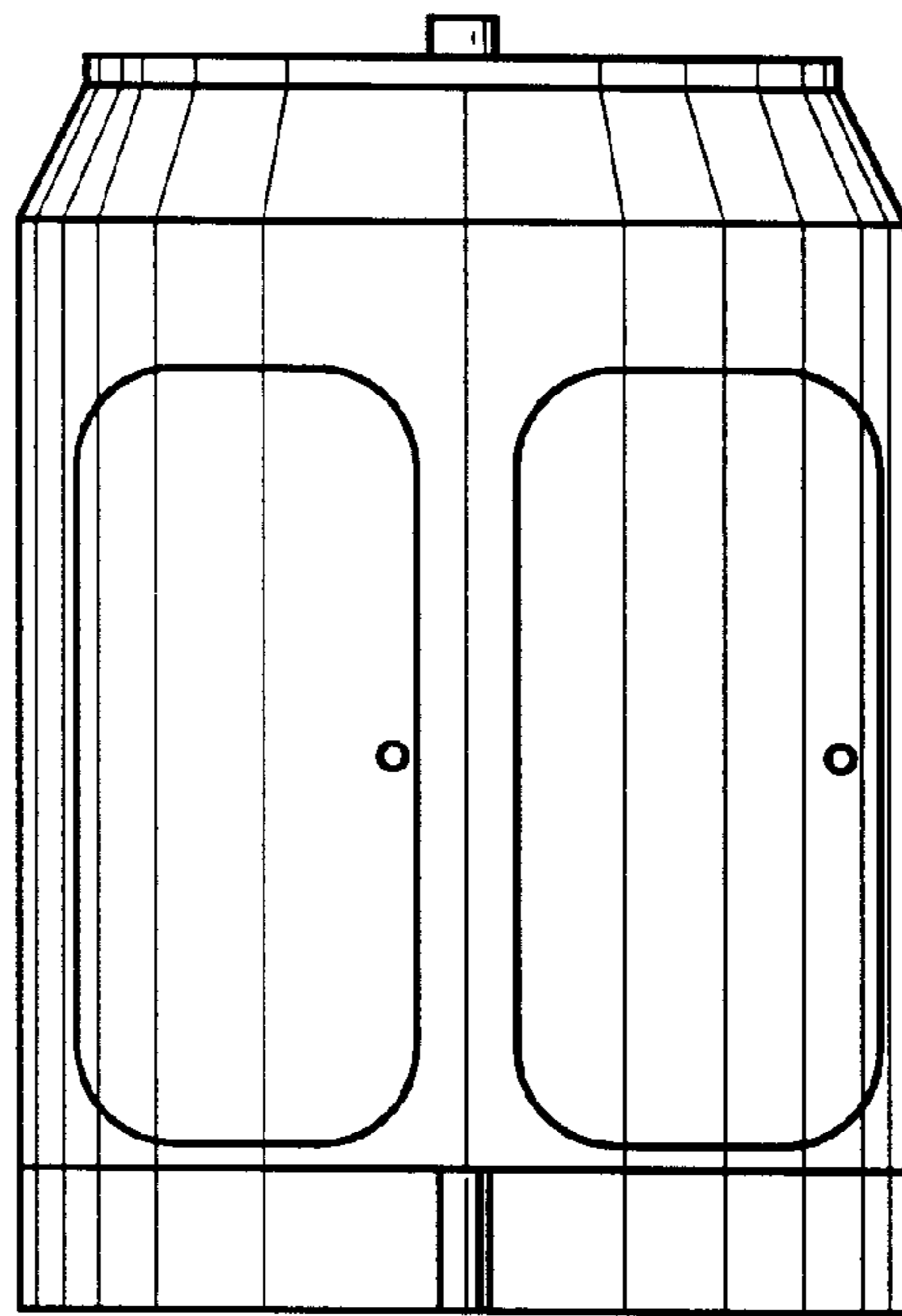


FIG. 3

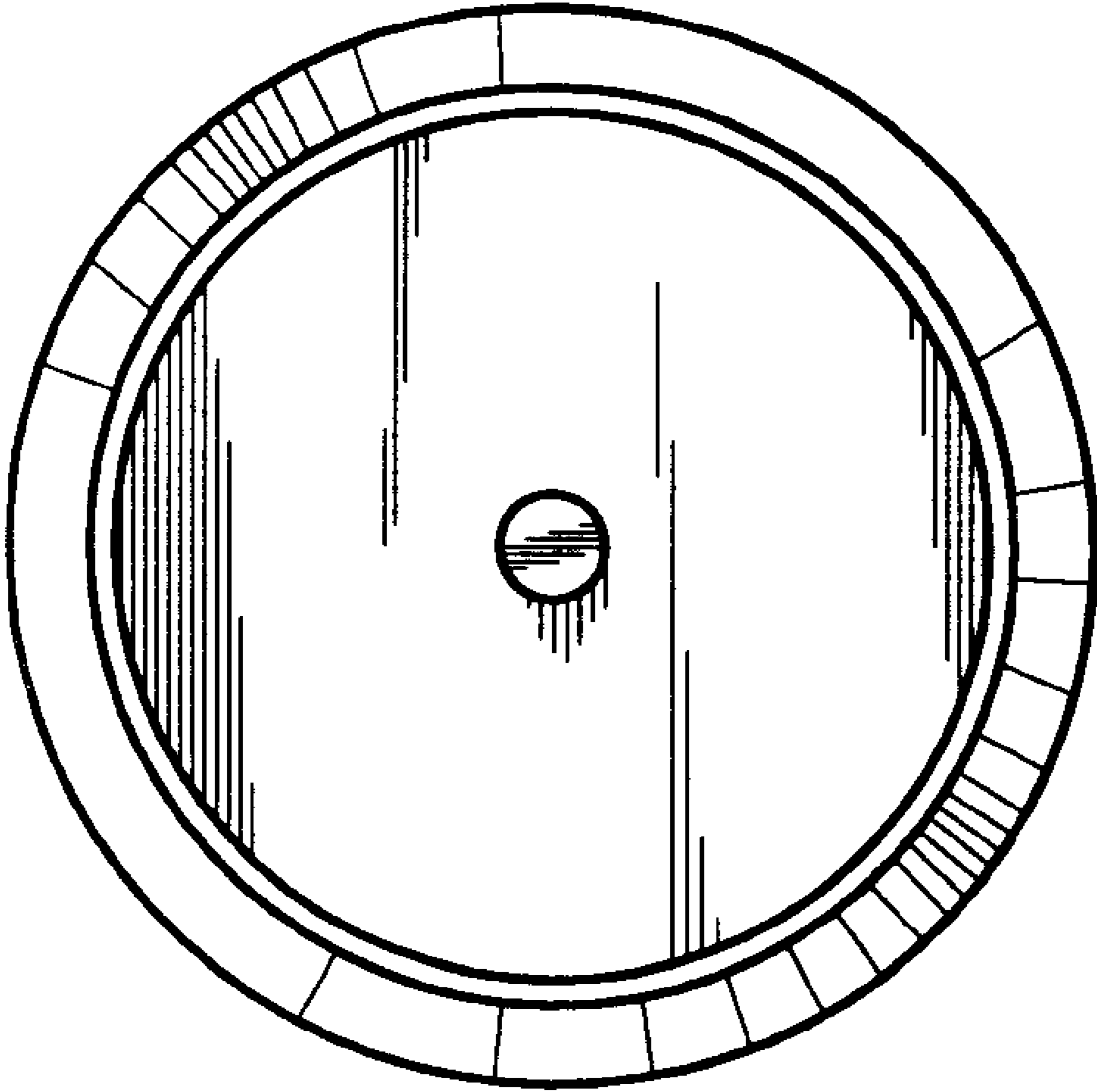


FIG. 5