



US00D460538S

(12) **United States Design Patent**
Jacuzzi

(10) **Patent No.:** **US D460,538 S**

(45) **Date of Patent:** **** Jul. 16, 2002**

(54) **BATHTUB**

(75) **Inventor:** **Remo C. Jacuzzi**, Little Rock, AR (US)

(73) **Assignee:** **Jason International, Inc.**, North Little Rock, AR (US)

(**) **Term:** **14 Years**

(21) **Appl. No.:** **29/140,843**

(22) **Filed:** **Apr. 26, 2001**

(51) **LOC (7) Cl.** **23-02**

(52) **U.S. Cl.** **D23/280.1**

(58) **Field of Search** D23/270, 273, D23/275-279, 280.1, 280.2, 280.3, 303, 304; 4/538, 541.1, 541.2, 541.4, 541.5, 546-547, 559, 567, 571.1, 572.1, 573.1, 576.1, 577.1, 586, 589, 663; D24/201, 204-205

(56) **References Cited**

U.S. PATENT DOCUMENTS

- D252,704 S * 8/1979 Read D23/280.2 X
- D365,144 S * 12/1995 Gruber et al. D23/277
- D405,513 S * 2/1999 Eeckhoudt D23/280.1
- D421,793 S * 3/2000 Svendsen D23/277
- D435,296 S * 12/2000 Jacuzzi D24/204

OTHER PUBLICATIONS

- Product Brochure "Promessa" model whirlpool bath, Jason International Inc., 2000.
- Product Brochure "Madeline" model whirlpool, bath Jason International Inc., 2000.

Product Brochure, "Palace" model whirlpool bath, Maax Inc., 1998.

Product Brochure, "Vigora" model whirlpool bath, Kohler Co., 1999.

Product Brochure, "Sensacia" model whirlpool bath, Swirl-way, 1999.

* cited by examiner

Primary Examiner—Catherine R. Oliver
Assistant Examiner—Robert A. Delehanty
(74) *Attorney, Agent, or Firm*—Banner & Witcoff, Ltd.

(57) **CLAIM**

The ornamental design for a bathtub, as shown and described.

DESCRIPTION

FIG. 1 is a top-side perspective view of the bathtub showing my new design;

FIG. 2 is a top-end perspective view thereof;

FIG. 3 is a top plan view thereof;

FIG. 4 is a right side view thereof;

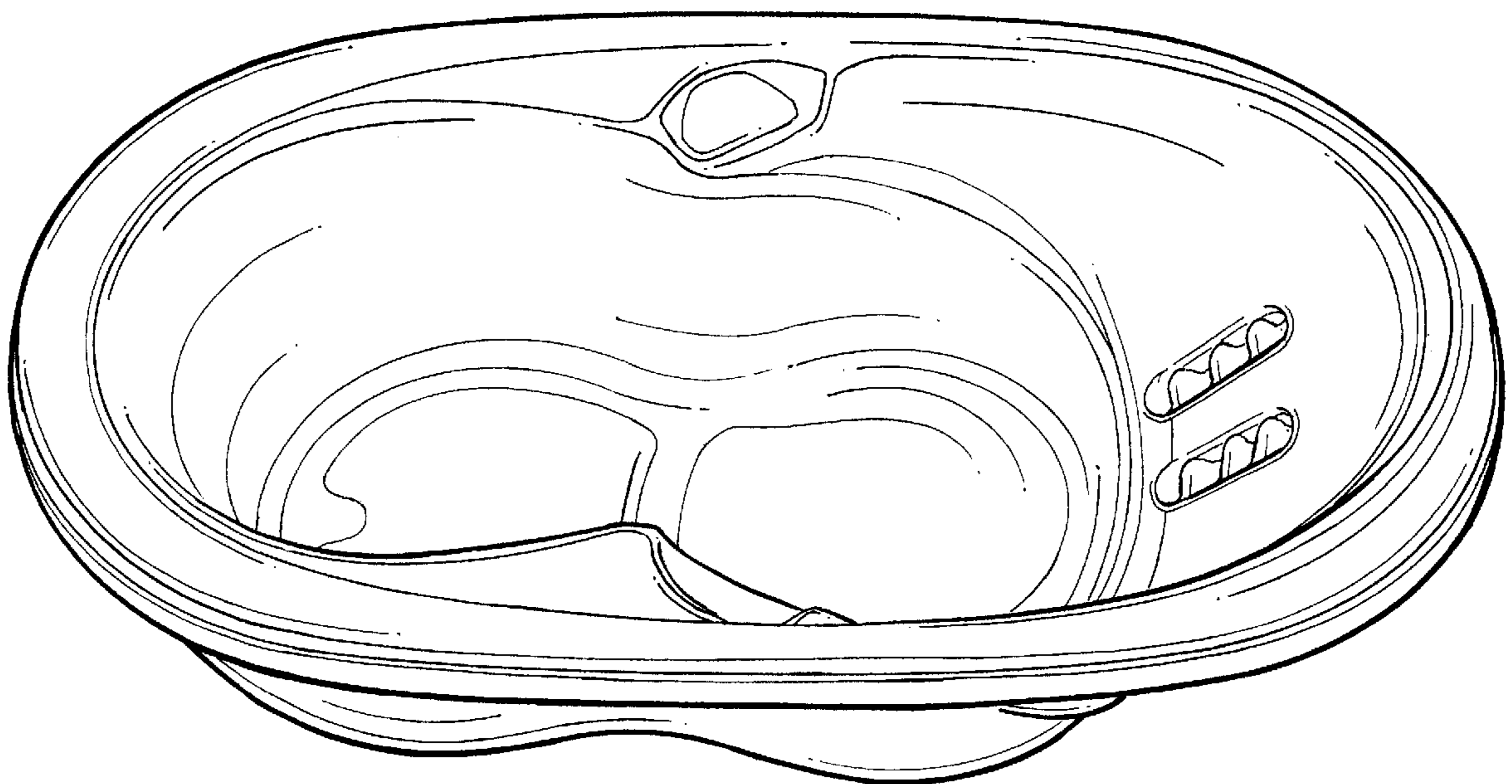
FIG. 5 left side view thereof;

FIG. 6 is an end view thereof; and,

FIG. 7 is an end view opposite the end view of FIG. 6.

The bottom is substantially planar and without ornamentation.

1 Claim, 5 Drawing Sheets



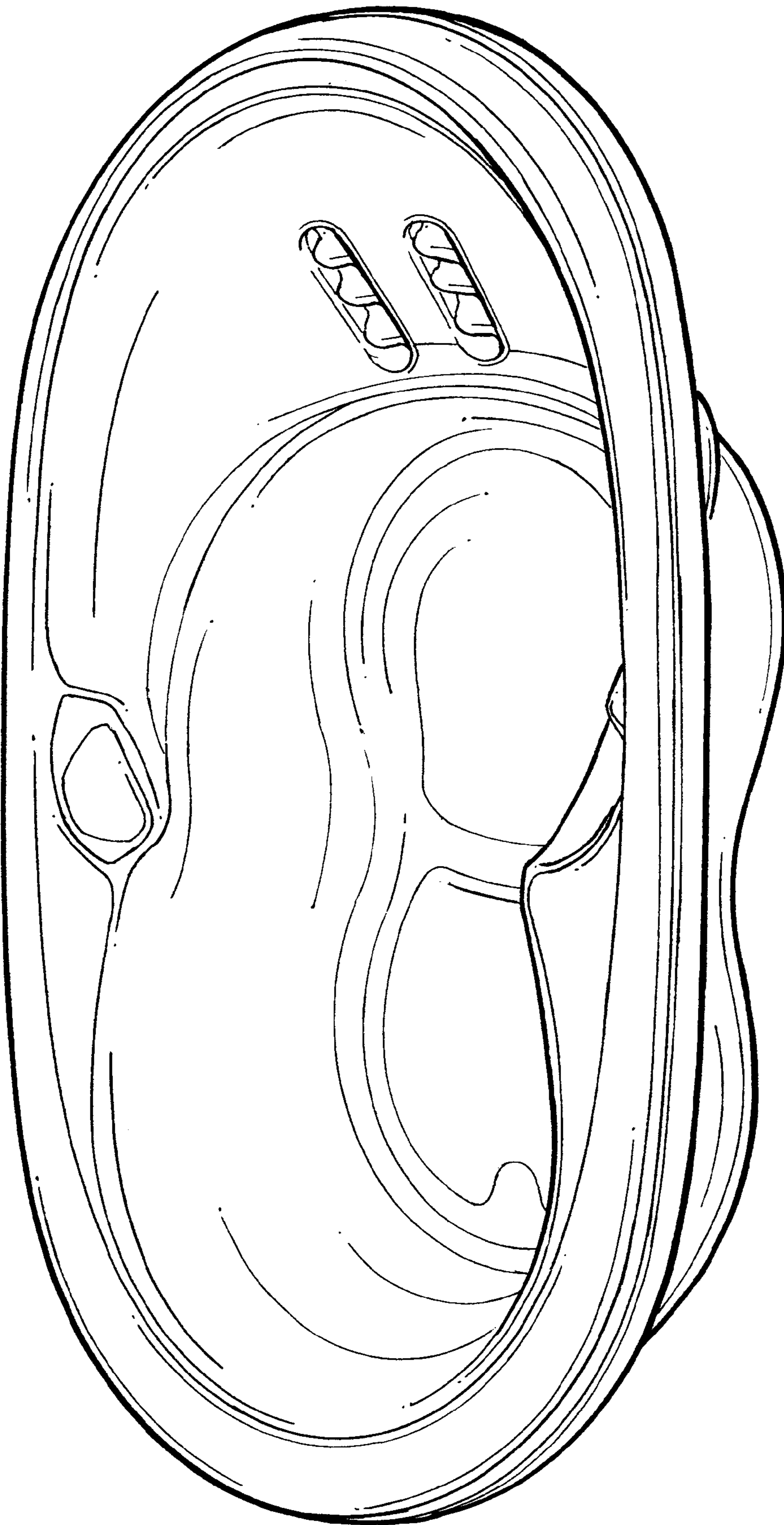


FIG. 1

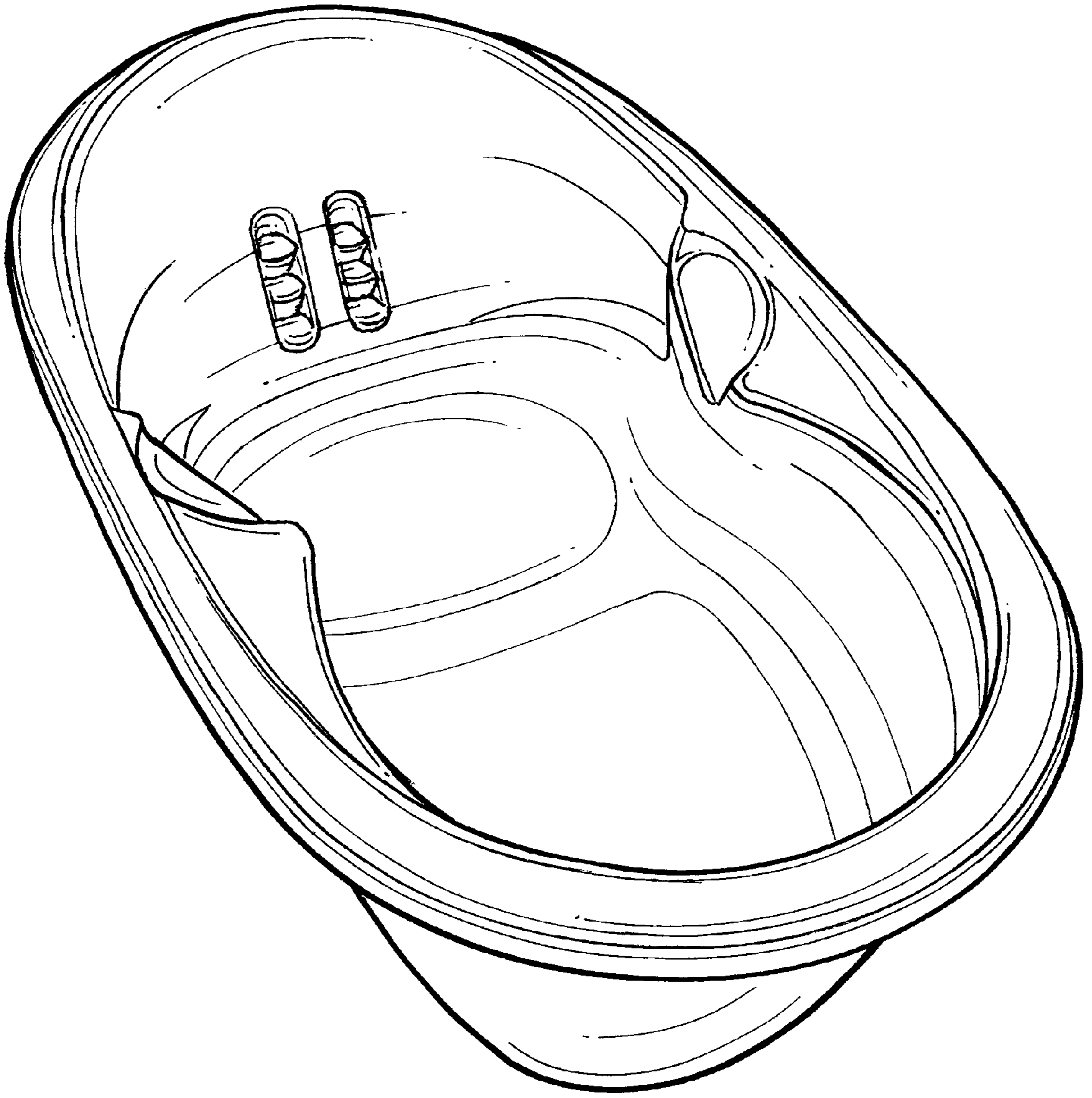


FIG. 2

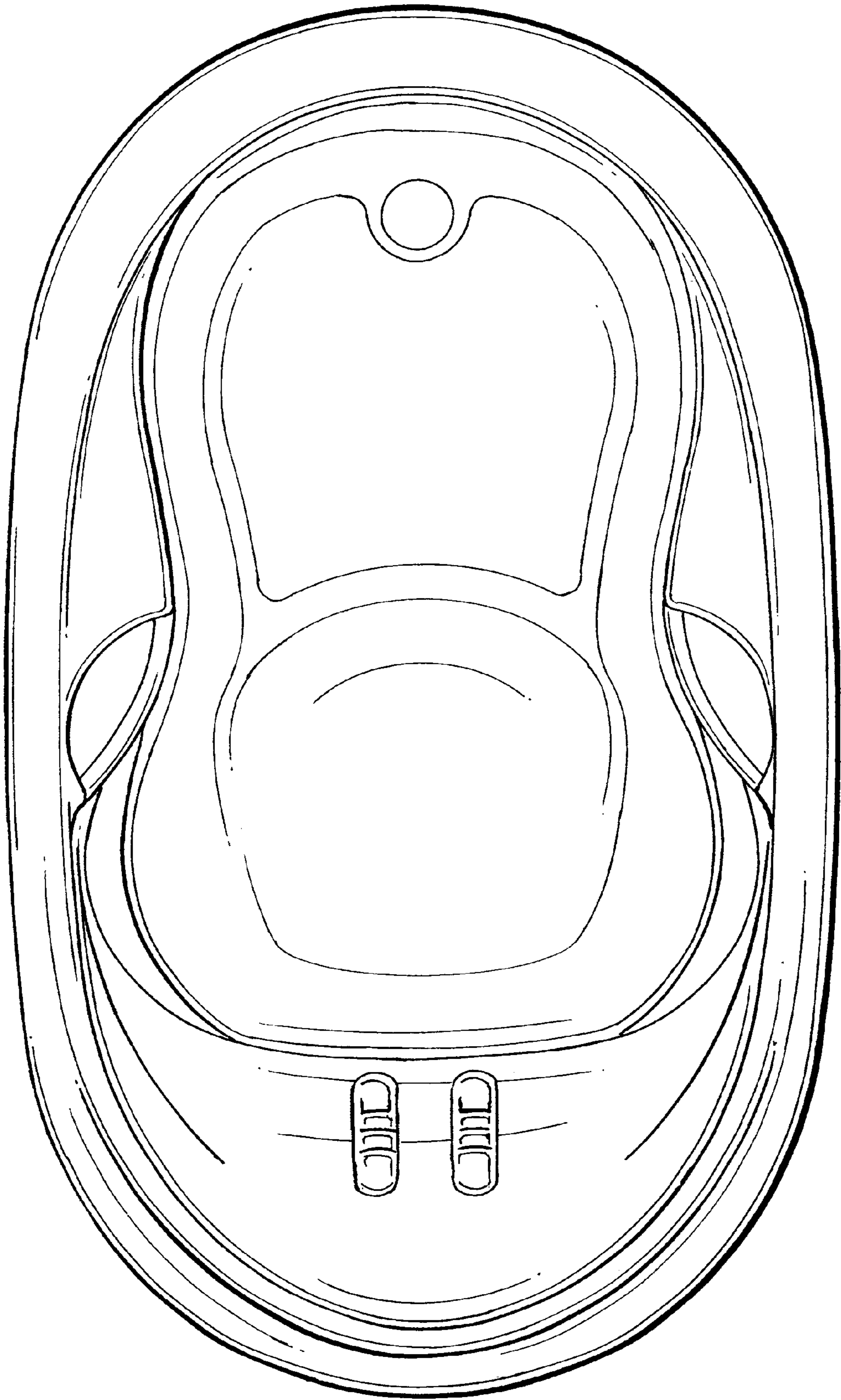


FIG. 3



FIG. 4

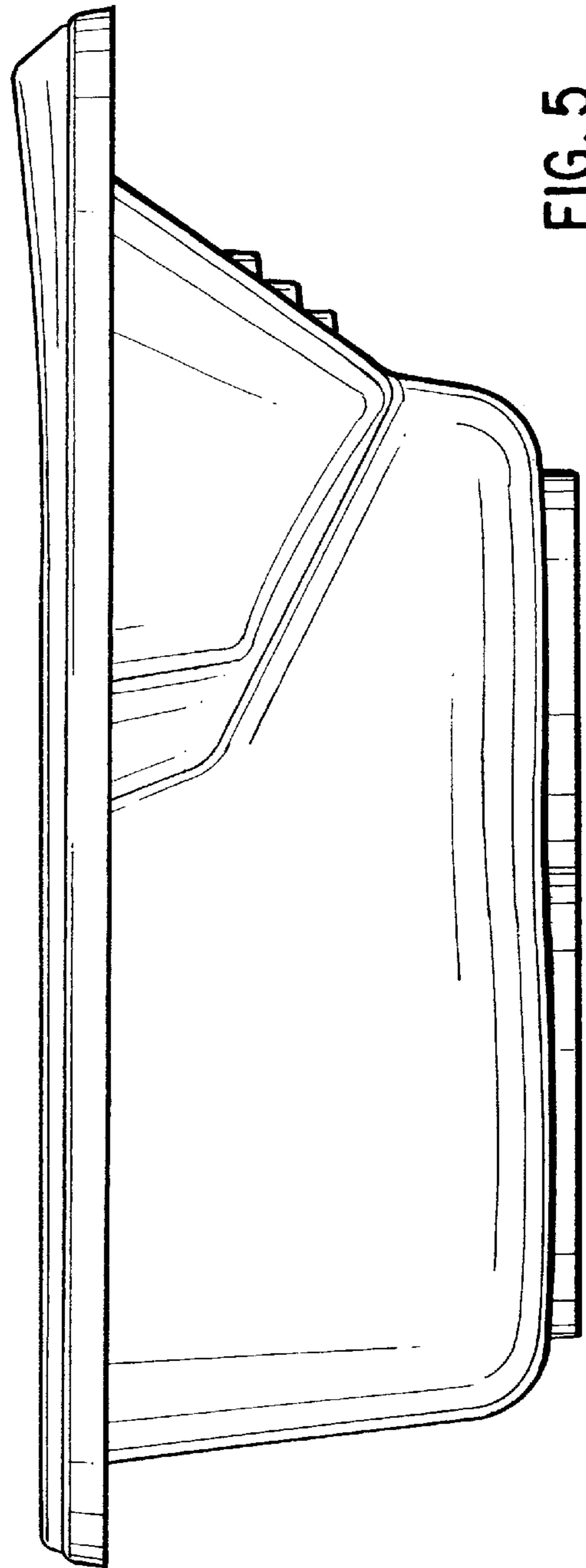


FIG. 5

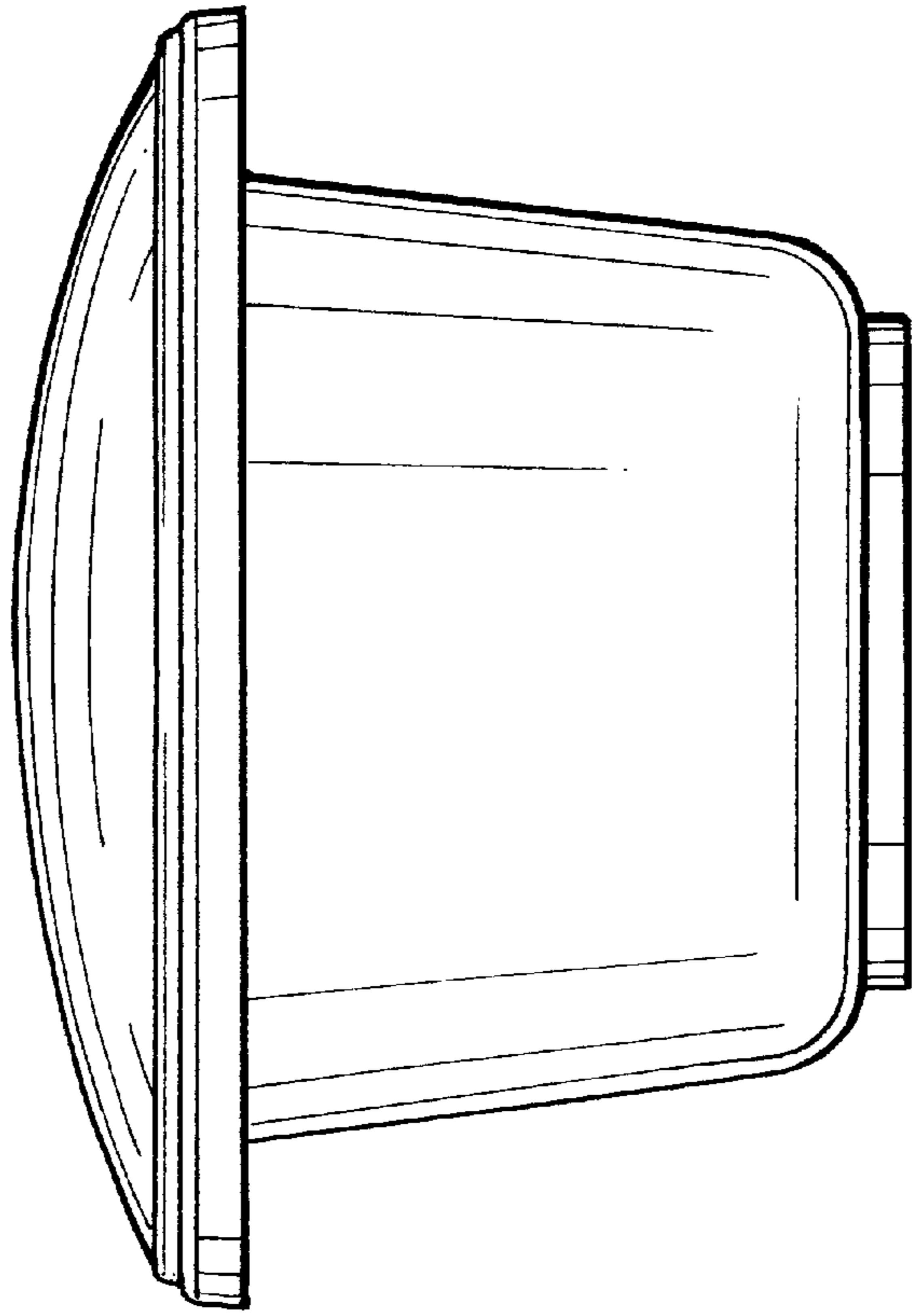


FIG. 7

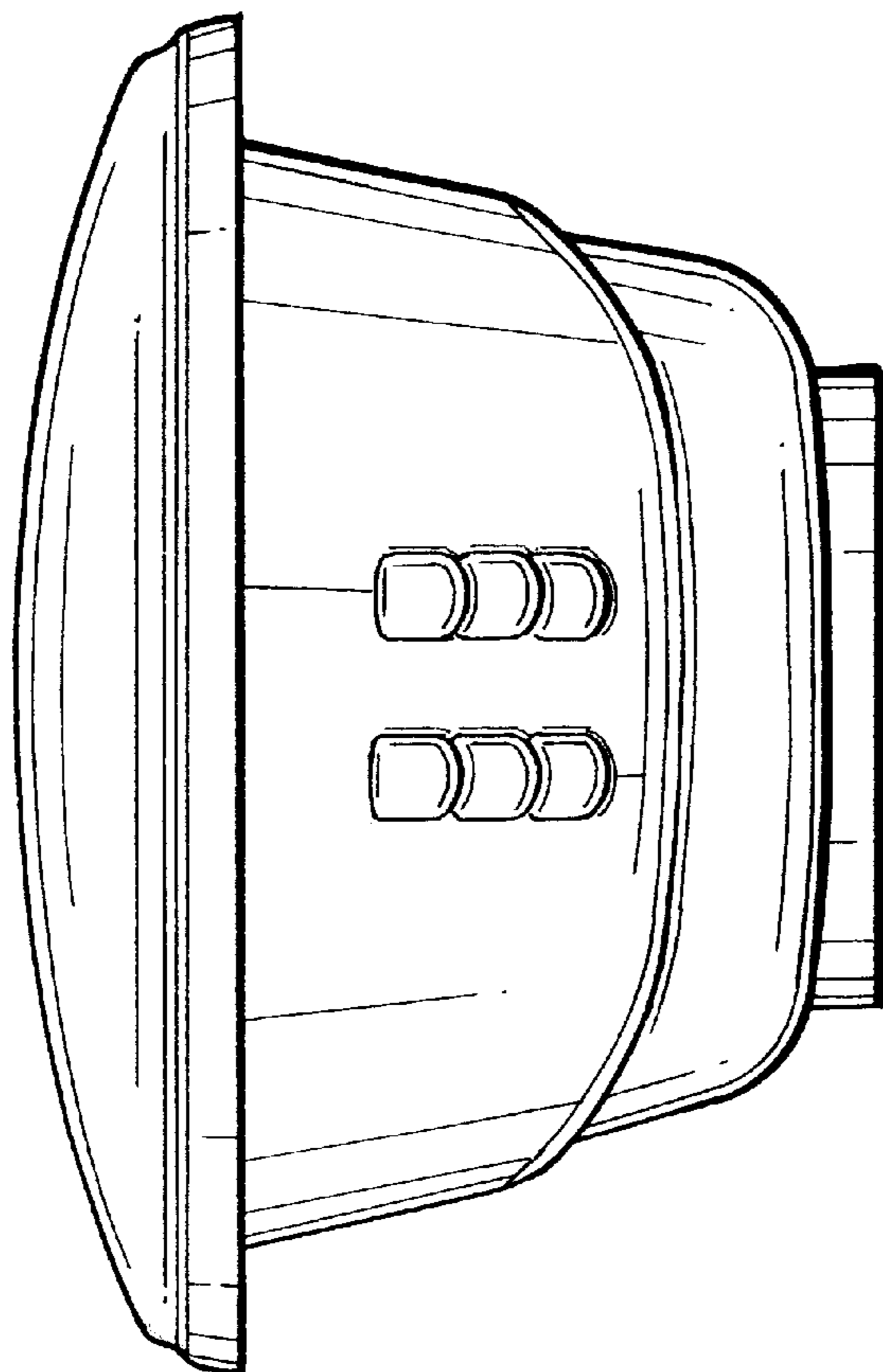


FIG. 6