



US00D460537S

(12) **United States Design Patent**
Gilbert

(10) **Patent No.:** **US D460,537 S**

(45) **Date of Patent:** **** Jul. 16, 2002**

(54) **VANITY TOILET WALL**

(75) **Inventor:** **David S. Gilbert**, Hermitage, TN (US)

(73) **Assignee:** **Wellness, LLC**, Nashville, TN (US)

(**) **Term:** **14 Years**

(21) **Appl. No.:** **29/140,089**

(22) **Filed:** **Apr. 11, 2001**

(51) **LOC (7) Cl.** **23-02**

(52) **U.S. Cl.** **D23/274**

(58) **Field of Search** D23/270-274,
D23/299; 4/663, DIG. 15, 902; D24/185,
188

(56) **References Cited**

U.S. PATENT DOCUMENTS

| | | | | | |
|--------------|---|---------|-----------------|-------|---------|
| D132,476 S | * | 5/1942 | Martin | | D23/272 |
| D198,256 S | * | 5/1964 | Tiller | | D23/273 |
| D281,714 S | * | 12/1985 | Morris et al. | | D23/274 |
| D331,621 S | * | 12/1992 | Tapolcai | | D23/274 |
| D416,313 S | * | 11/1999 | Foster | | D23/299 |
| D424,176 S | * | 5/2000 | Wheeler, III | | D23/273 |
| D443,044 S | * | 5/2001 | Swensson et al. | | D23/271 |
| 6,256,936 B1 | * | 7/2001 | Swensson et al. | | 4/663 X |

* cited by examiner

Primary Examiner—Louis S. Zarfes

Assistant Examiner—Robert A. Delehanty

(74) *Attorney, Agent, or Firm*—Waddey & Patterson;
Lucian Wayne Beavers

(57) **CLAIM**

What is claimed is the ornamental design for a vanity toilet wall, as shown and described.

DESCRIPTION

FIG. 1 is a front elevation view showing the vanity toilet wall of Applicant's invention.

FIG. 2 is a left side elevation view of the vanity toilet wall of Applicant's invention.

FIG. 3 is a right side elevation view of the vanity toilet wall of Applicant's invention.

FIG. 4 is a top view of the vanity toilet wall of Applicant's invention.

FIG. 5 is a bottom view of the vanity toilet wall of Applicant's invention.

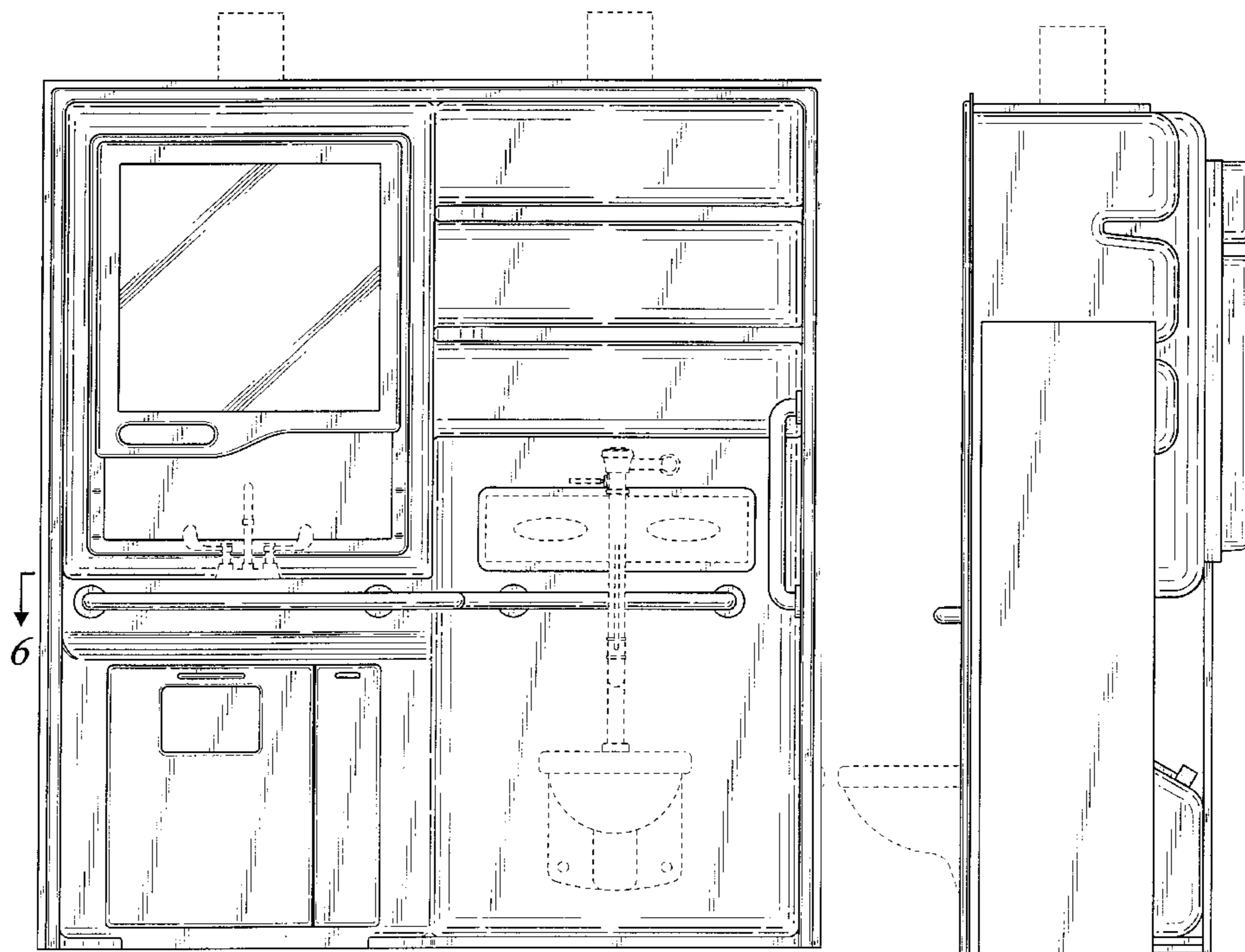
FIG. 6 is a sectioned plan view of the vanity toilet wall of Applicant's invention, the section being taken along lines 6—6 of FIG. 1 to show the appearance of the countertop and sink area which is inset on the design.

FIG. 7 is a rear elevation view of the vanity toilet wall of the present invention; and,

FIG. 8 is a front elevation view of an alternative embodiment of the vanity toilet wall of Applicant's invention, the embodiment of FIG. 8 being a mirror image of the embodiment of FIG. 1. The other views of the embodiment of FIG. 8 would be mirror images of the analogous views shown in FIGS. 2-7 with regard to the embodiment of FIG. 1, and thus all of the additional views are not set forth.

The broken lines showing of plumbing and structural fixtures is for illustrative purposes only and forms no part of the claimed design.

1 Claim, 6 Drawing Sheets



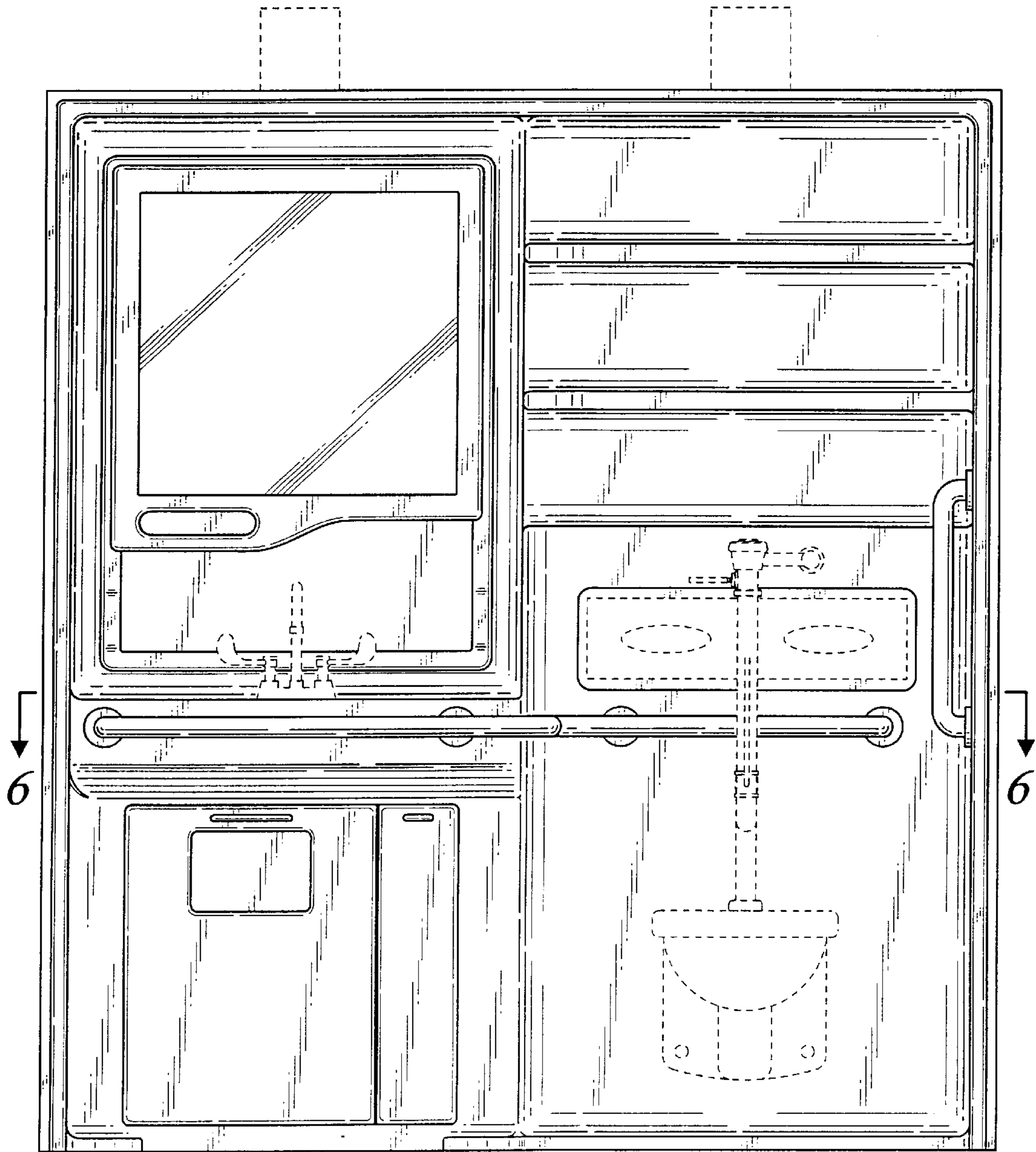


FIG. 1

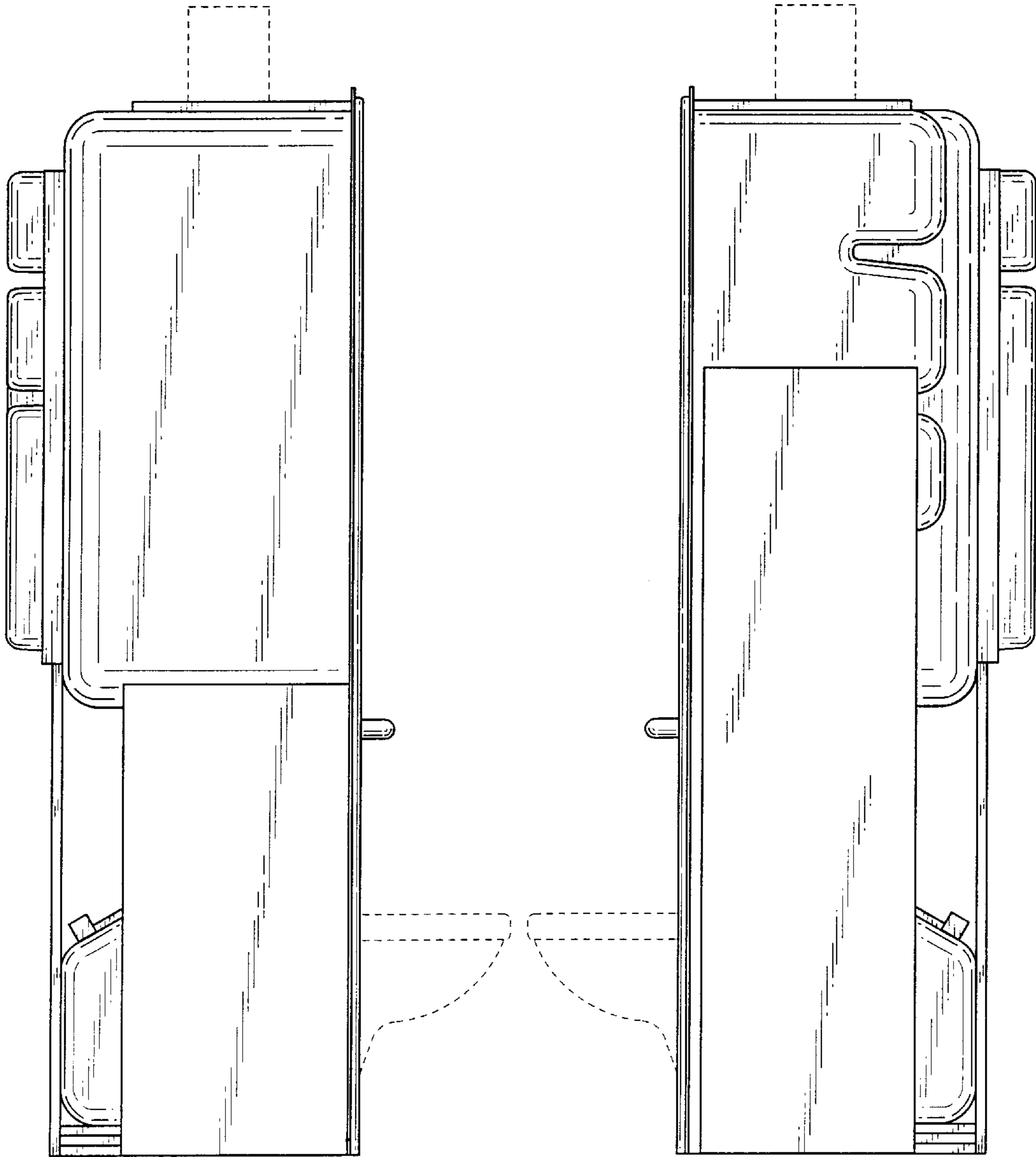


FIG. 2

FIG. 3

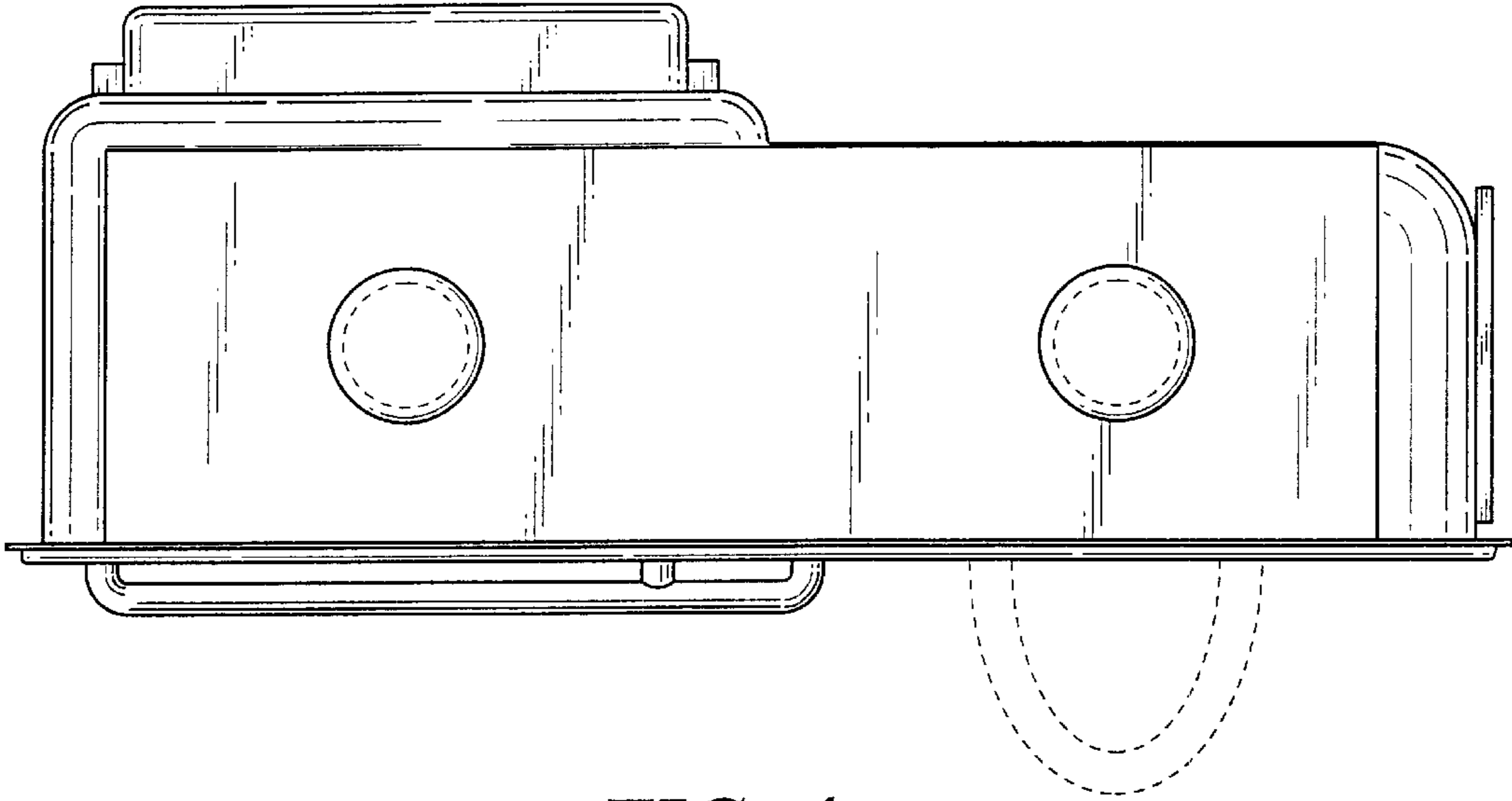


FIG. 4

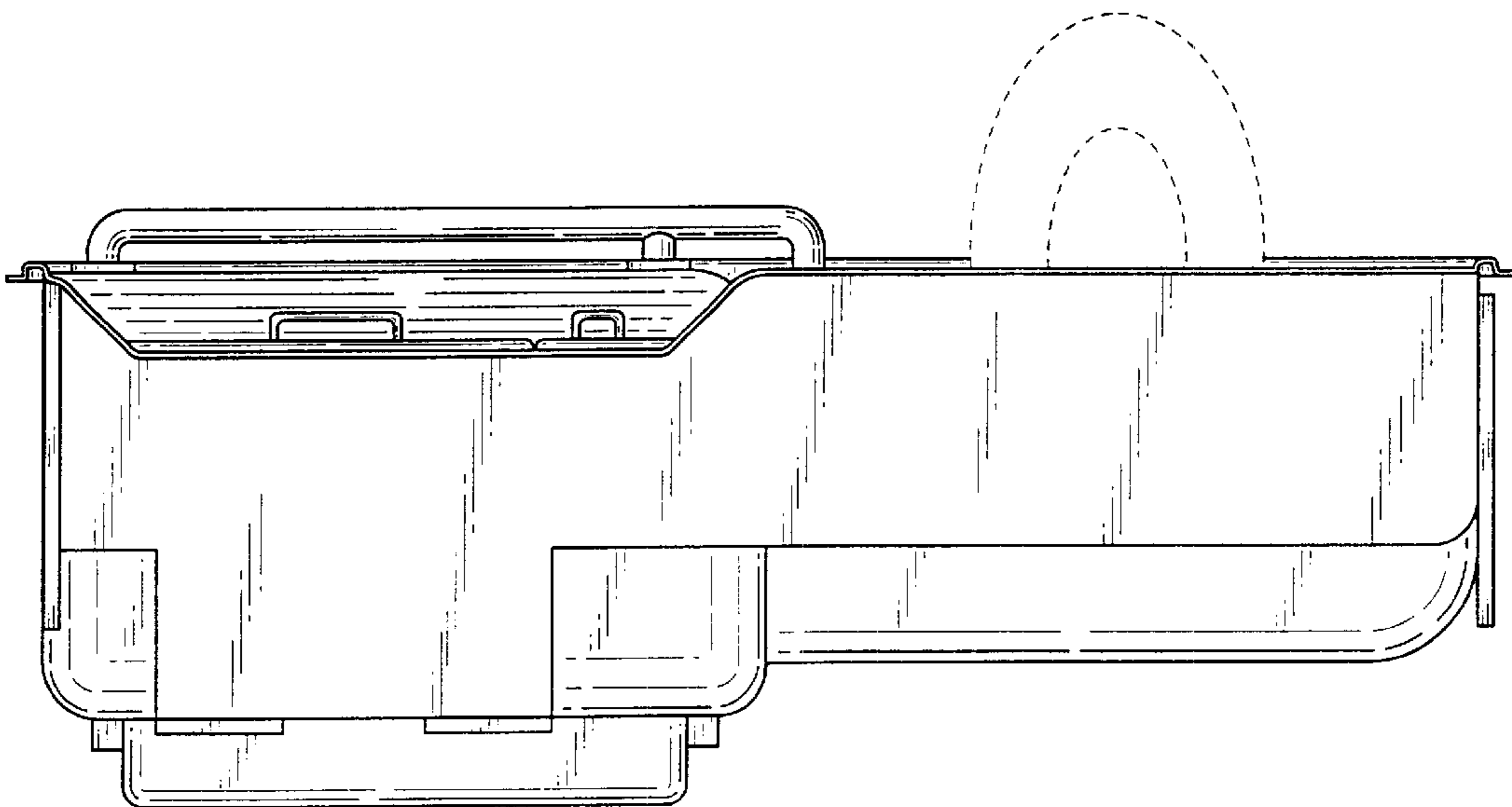


FIG. 5

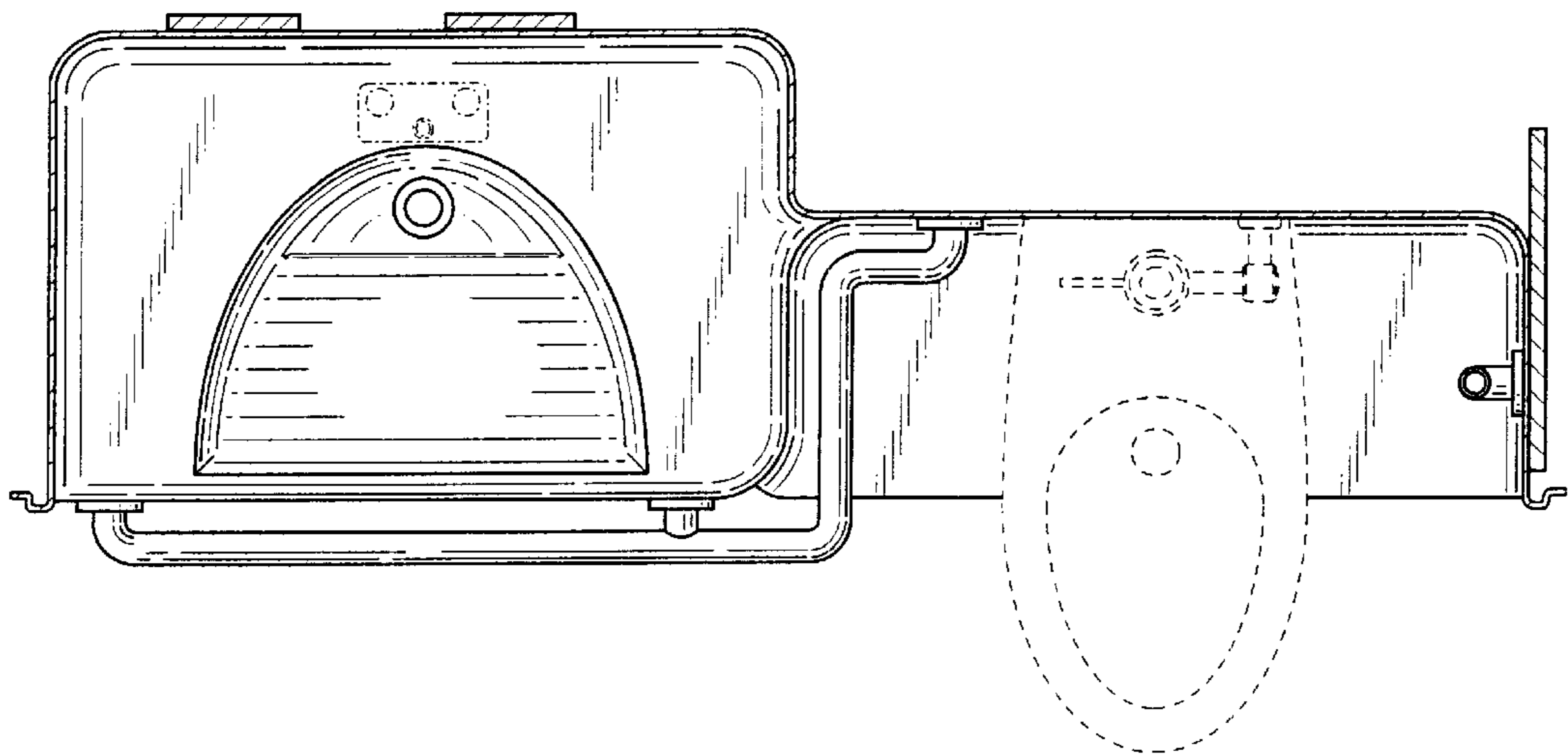


FIG. 6

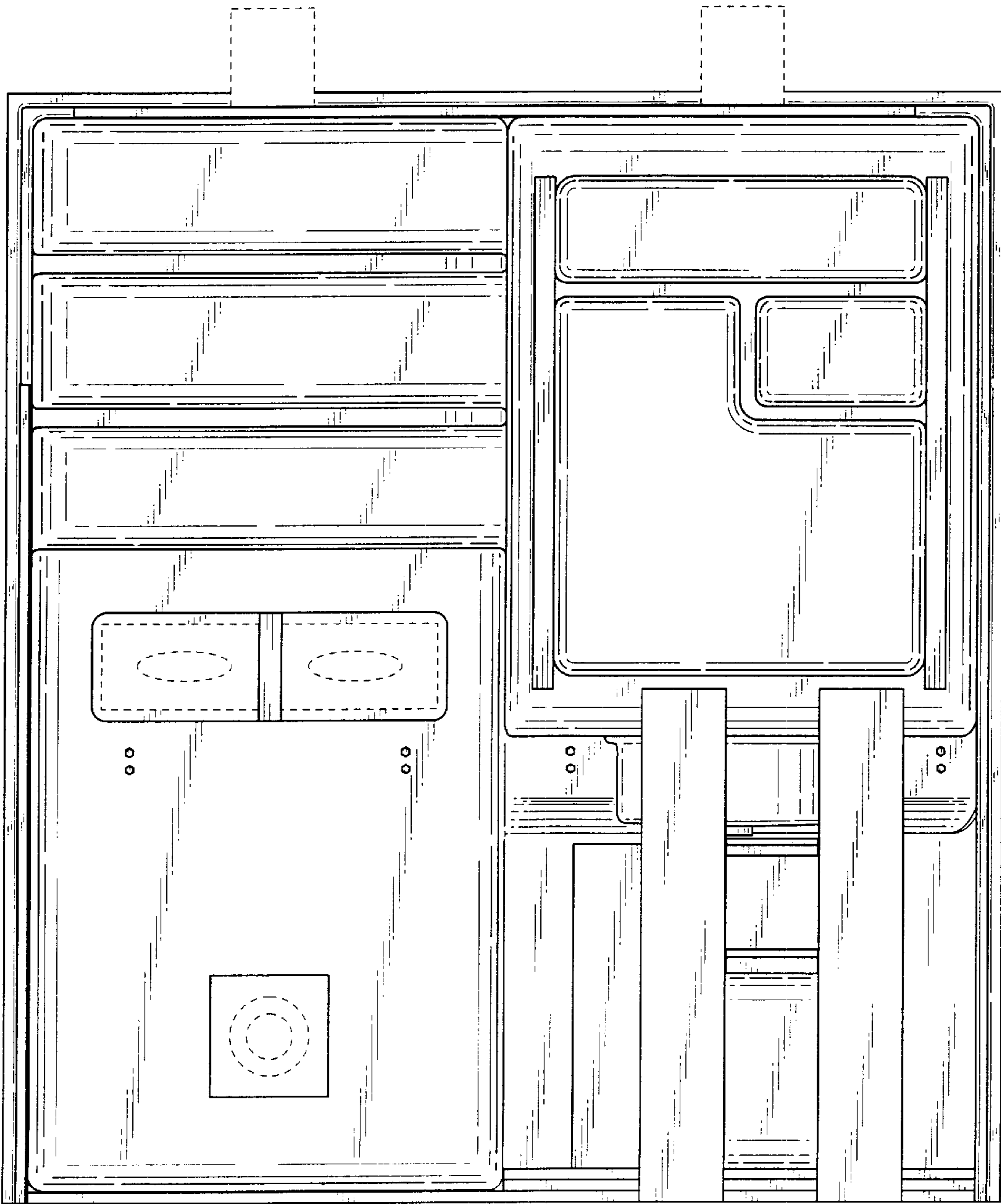


FIG. 7

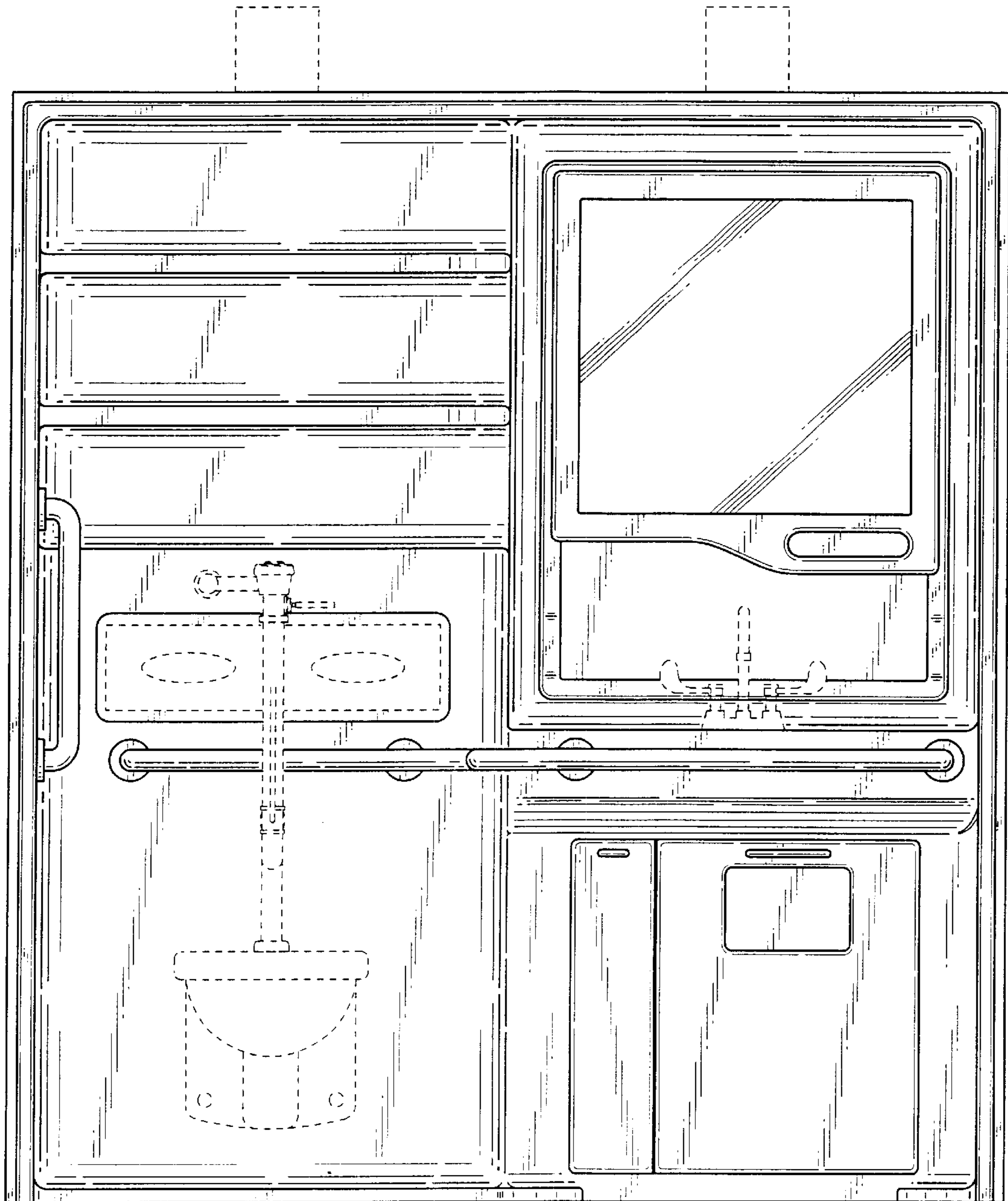


FIG. 8