

US00D460536S

(12) **United States Design Patent**
Renaud

(10) **Patent No.:** **US D460,536 S**

(45) **Date of Patent:** **** Jul. 16, 2002**

(54) **FLEXIBLE TUBE HAVING A VARIABLE STIFFNESS BELLOWS**

(75) Inventor: **Michel Claude Renaud**, Prangins (CH)

(73) Assignee: **E. I. du Pont de Nemours and Company**, Wilmington, DE (US)

(**) Term: **14 Years**

(21) Appl. No.: **29/142,253**

(22) Filed: **May 22, 2001**

Related U.S. Application Data

(62) Division of application No. 29/125,826, filed on Jun. 30, 2000, now Pat. No. Des. 447,792.

(51) **LOC (7) Cl.** **23-01**

(52) **U.S. Cl.** **D23/266**

(58) **Field of Search** D23/266; 138/118, 138/121, 172, 173, 177

(56) **References Cited**

U.S. PATENT DOCUMENTS

1,547,431 A	*	7/1925	Mallory	138/121
3,050,087 A	*	8/1962	Caplan	138/121
D221,078 S	*	7/1971	Seckel et al.	D23/266
3,842,865 A	*	10/1974	Torricelli	138/121
6,056,018 A	*	5/2000	Renaud	138/121

* cited by examiner

Primary Examiner—Robin V. Taylor

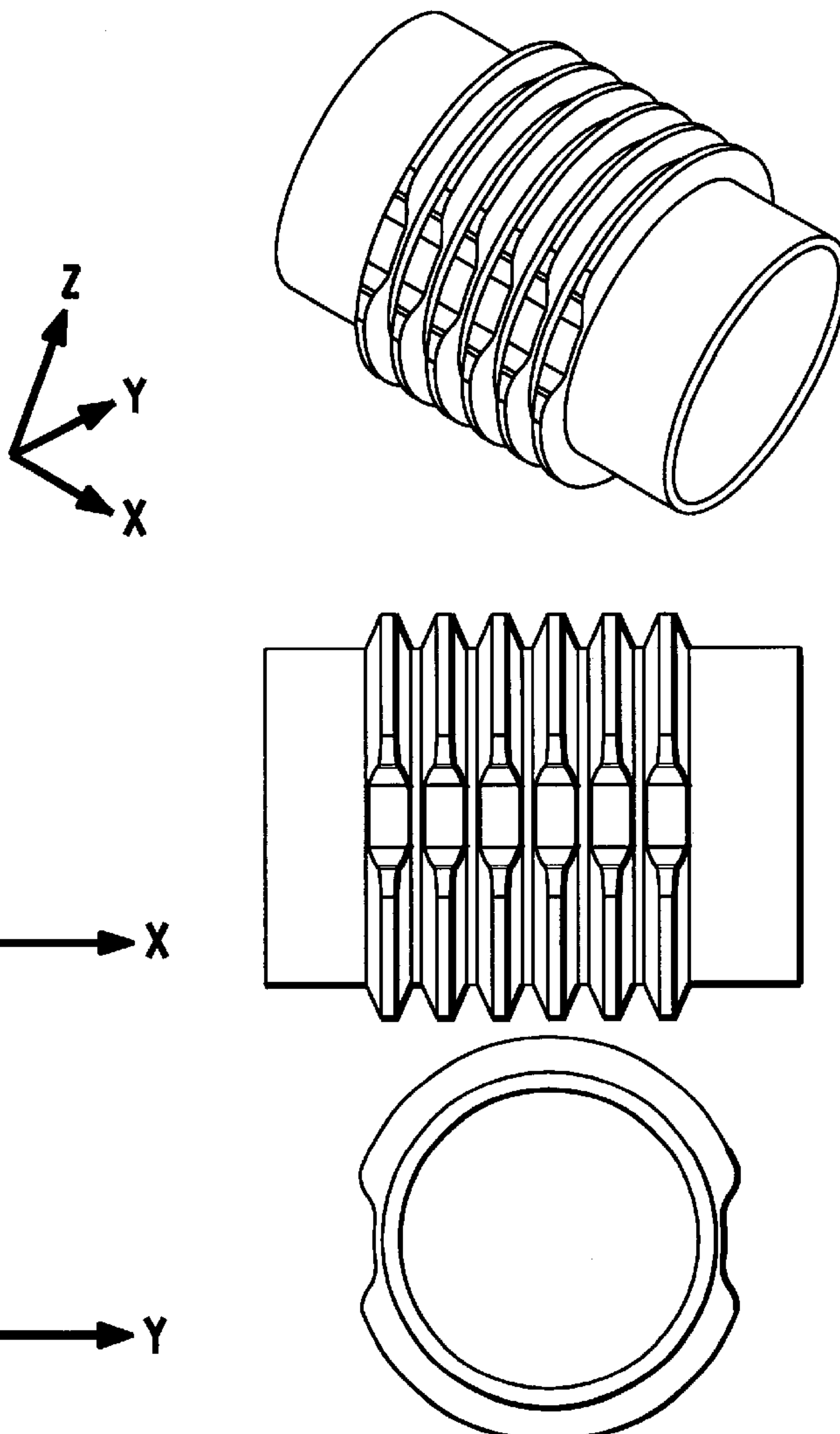
(57) **CLAIM**

The ornamental design for a flexible tube having a variable stiffness bellows, as shown and described.

DESCRIPTION

FIG. 1 is a perspective view of a flexible tube having a variable stiffness bellows showing my new design; FIG. 2 is a front view thereof, the rear being identical; and, FIG. 3 is an end view.

1 Claim, 1 Drawing Sheet



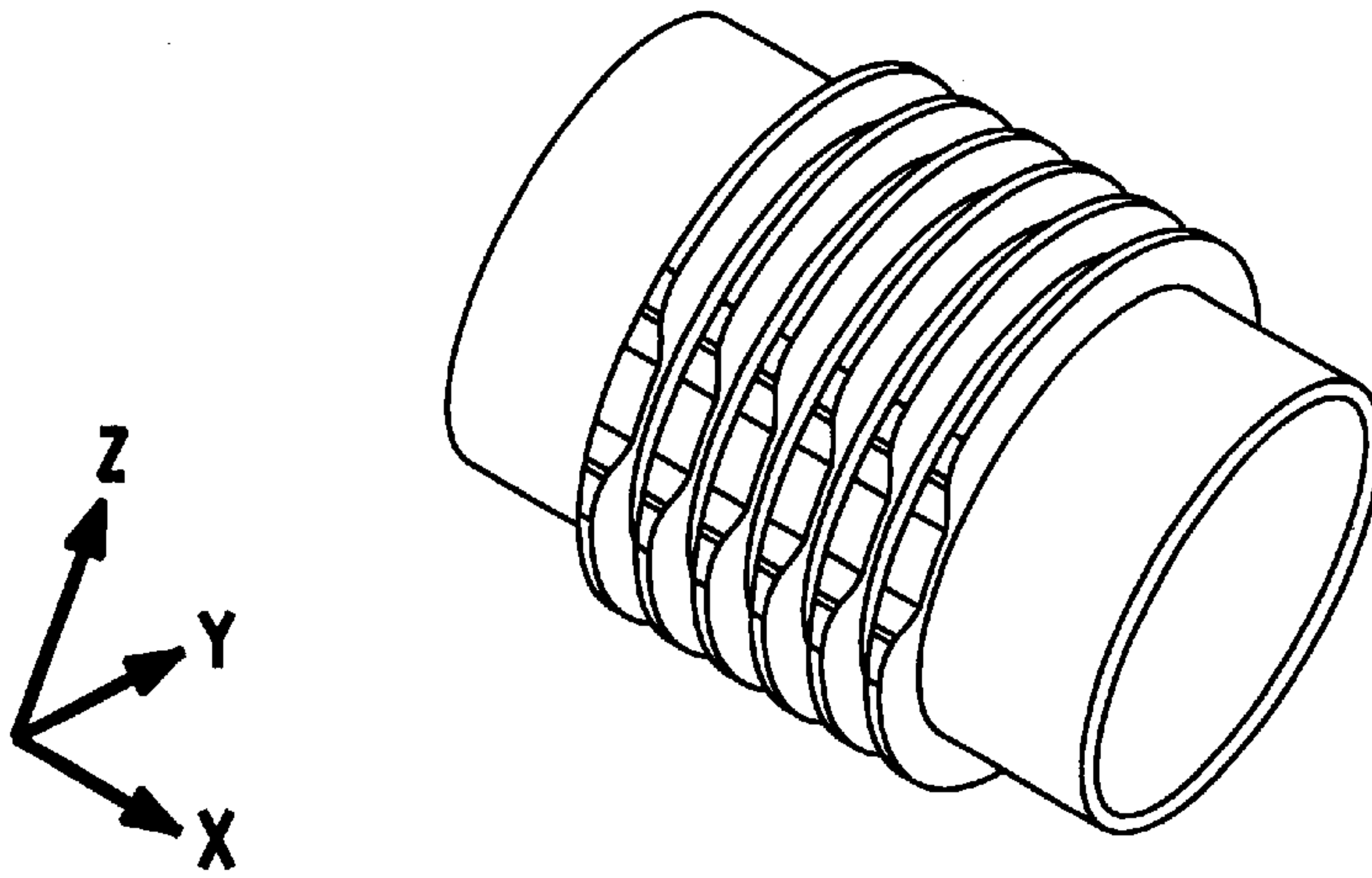


FIG. 1A

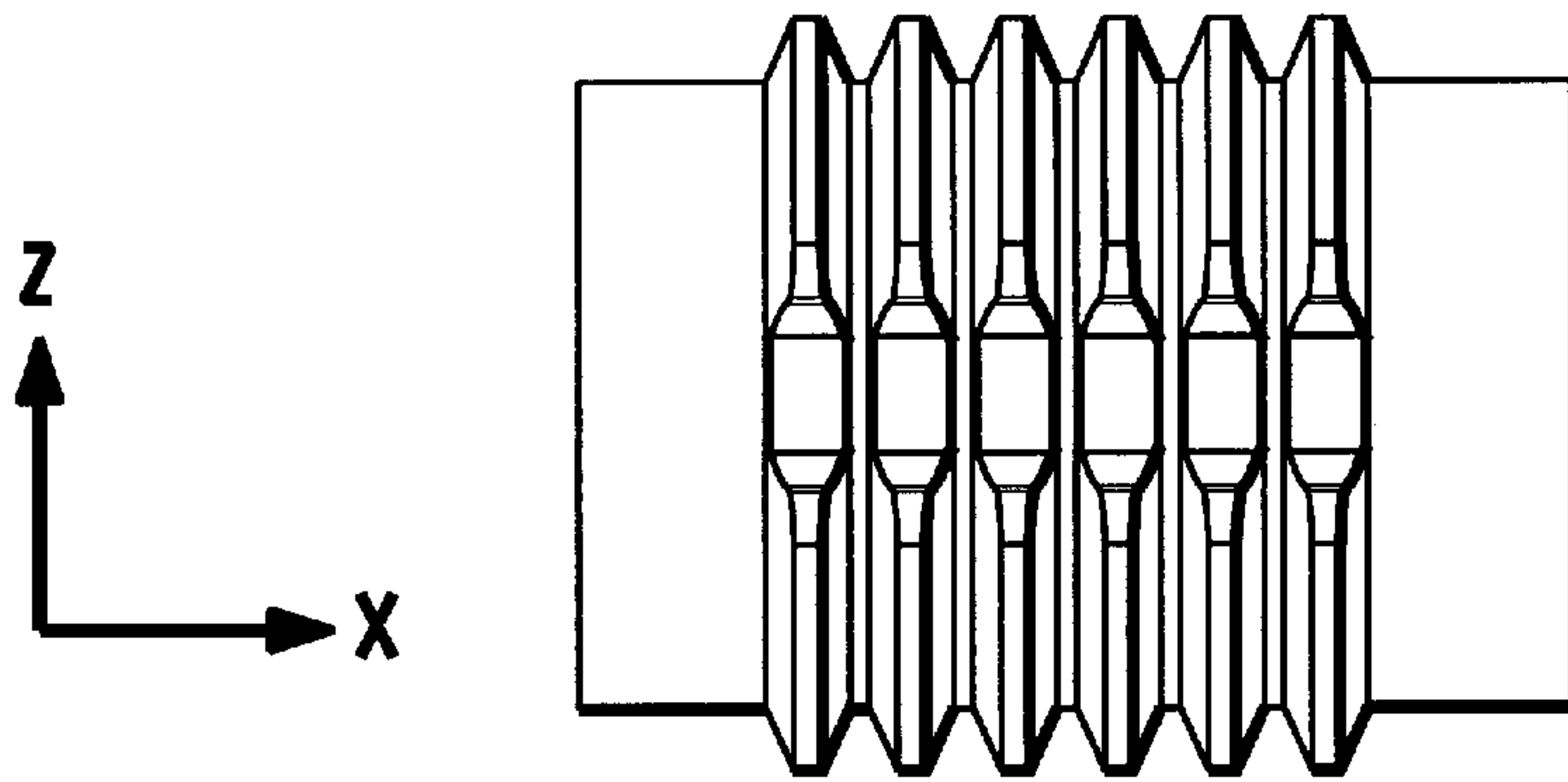


FIG. 1B

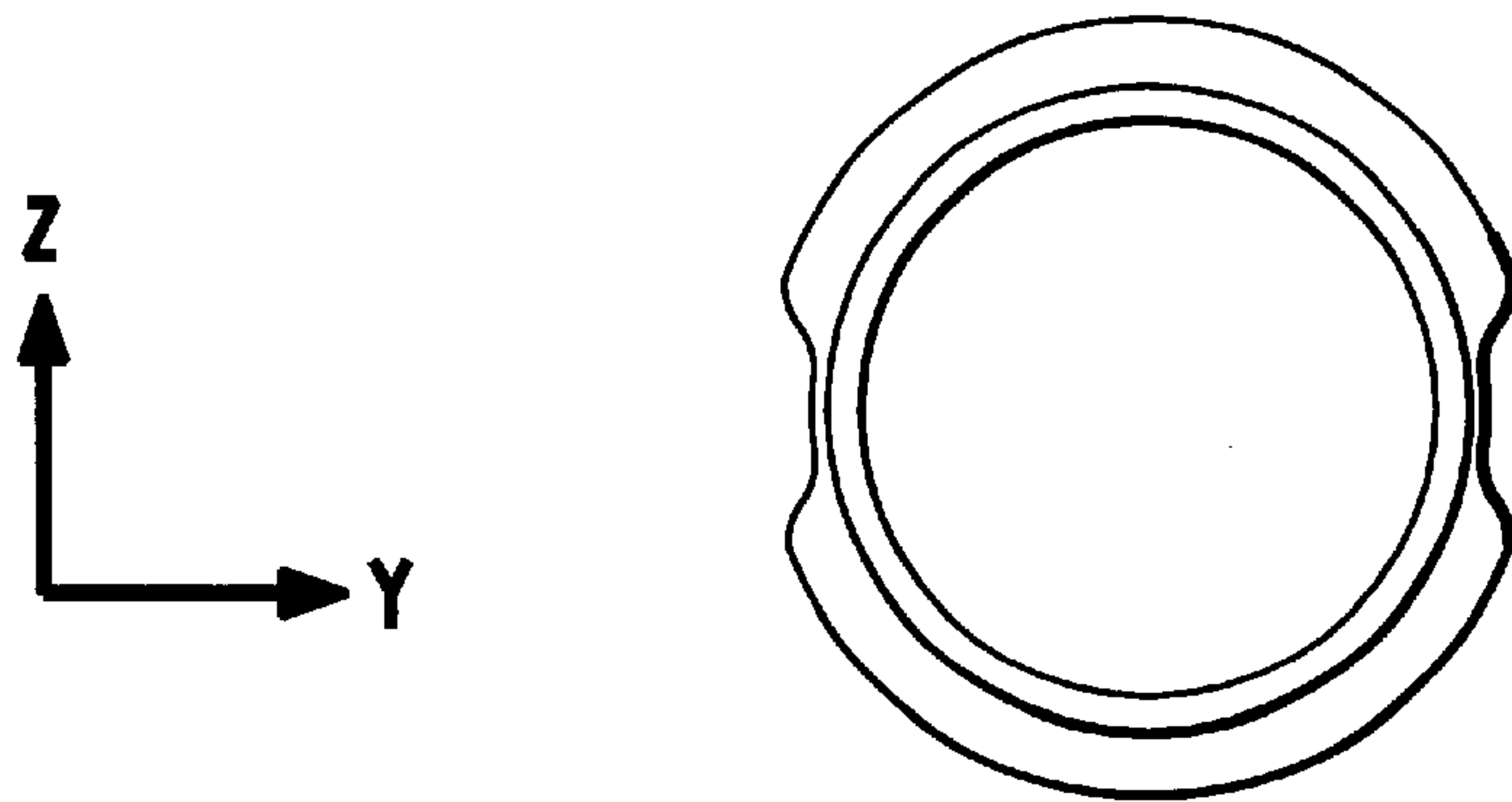


FIG. 1C