



US00D460534S

(12) **United States Design Patent**
Hanna et al.

(10) **Patent No.:** **US D460,534 S**

(45) **Date of Patent:** **** Jul. 16, 2002**

(54) **HUB AND HANDLE**

(75) Inventors: **Aaron E. Hanna**, Redlands; **Jerome F. Czerwinski, Jr.**, Long Beach, both of CA (US)

(73) Assignee: **Emhart LLC**, Newark, DE (US)

(**) Term: **14 Years**

(21) Appl. No.: **29/151,937**

(22) Filed: **Dec. 7, 2001**

(51) **LOC (7) Cl.** **23-01**

(52) **U.S. Cl.** **D23/252**

(58) **Field of Search** D23/238-245,
D23/249-257; D8/300-310, 350-354; 4/675-678;
16/110 R-121; 137/801

(56) **References Cited**

U.S. PATENT DOCUMENTS

D115,796 S	*	7/1939	Reinecke	D23/254
D254,147 S		2/1980	Colani		
D364,217 S	*	11/1995	Dubin	D23/252
D391,351 S	*	2/1998	Ko	D23/250
D395,812 S	*	7/1998	Doughty et al.	D23/250
D402,005 S	*	12/1998	Ko	D23/252
D406,876 S		3/1999	Ko		
D420,105 S		2/2000	Ko		
D430,924 S		9/2000	Wei et al.		

D433,737 S 11/2000 Milrud et al.

D443,341 S 6/2001 Burns et al.

D443,920 S 6/2001 Lord

* cited by examiner

Primary Examiner—Louis S. Zarfaz

Assistant Examiner—Gregory Andoll

(74) *Attorney, Agent, or Firm*—Richard J. Veltman; John D. Del Ponti

(57) **CLAIM**

The ornamental design for a hub and handle, as shown and described.

DESCRIPTION

FIG. 1 is a perspective view of the new design for a hub and handle;

FIG. 2 is a front elevational view of the new design for a hub and handle;

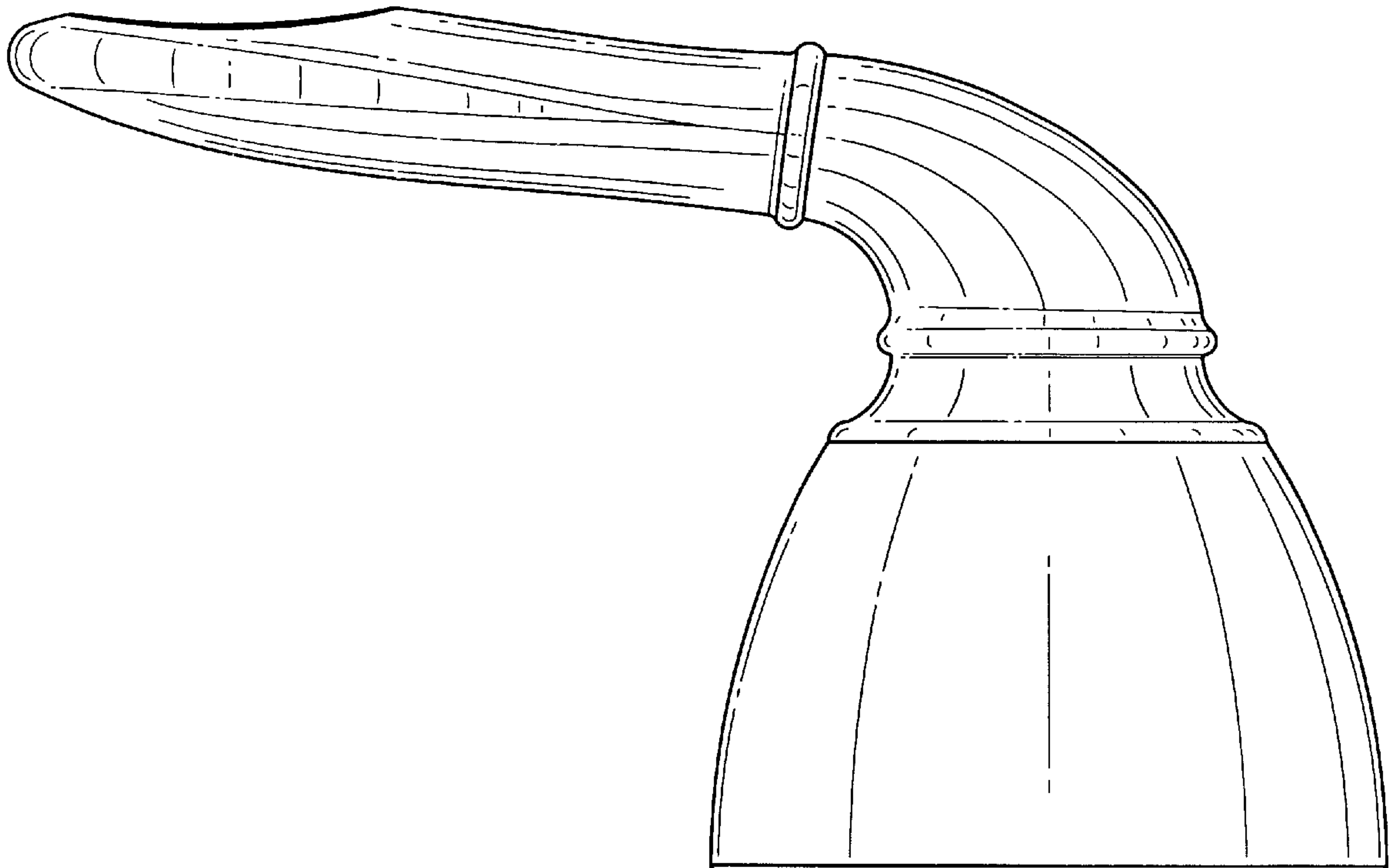
FIG. 3 is a top plan view of the new design for a hub and handle;

FIG. 4 is a bottom plan view of the new design for a hub and handle;

FIG. 5 is a right side elevational view of the new design for a hub and handle, the left side elevational view being a mirror image; and,

FIG. 6 is a rear elevational view of the new design for a hub and handle.

1 Claim, 6 Drawing Sheets



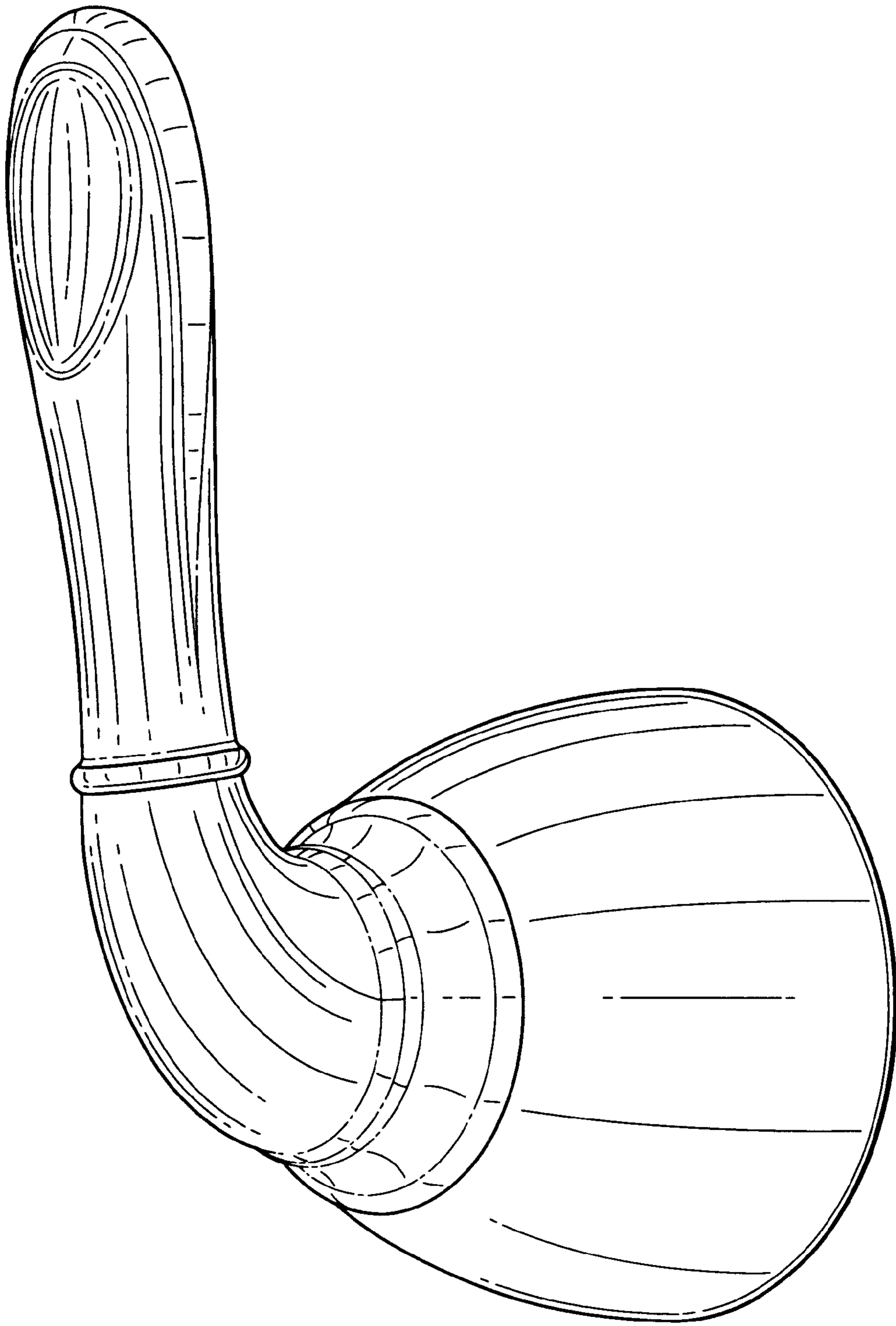


FIG. 1

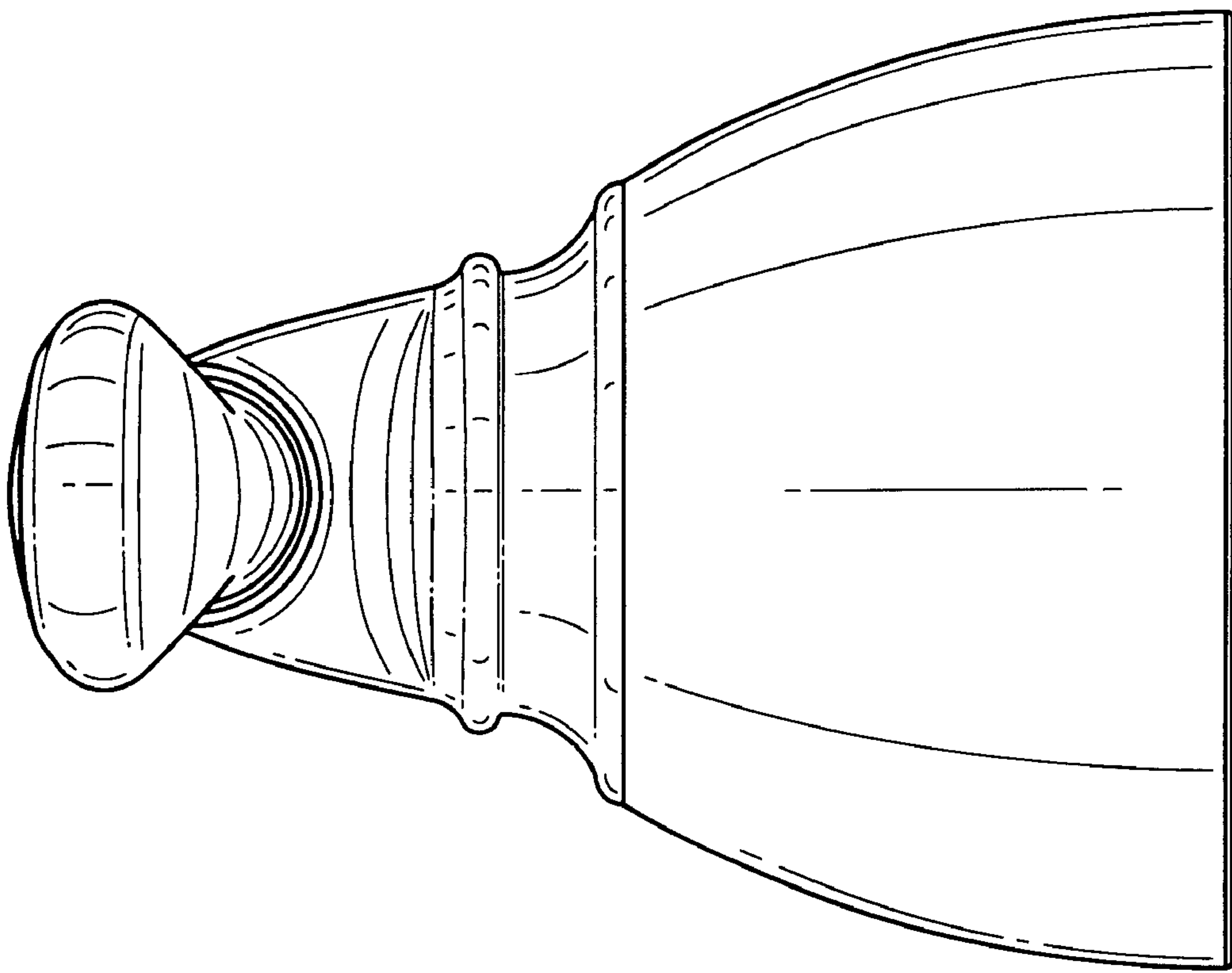


FIG. 2

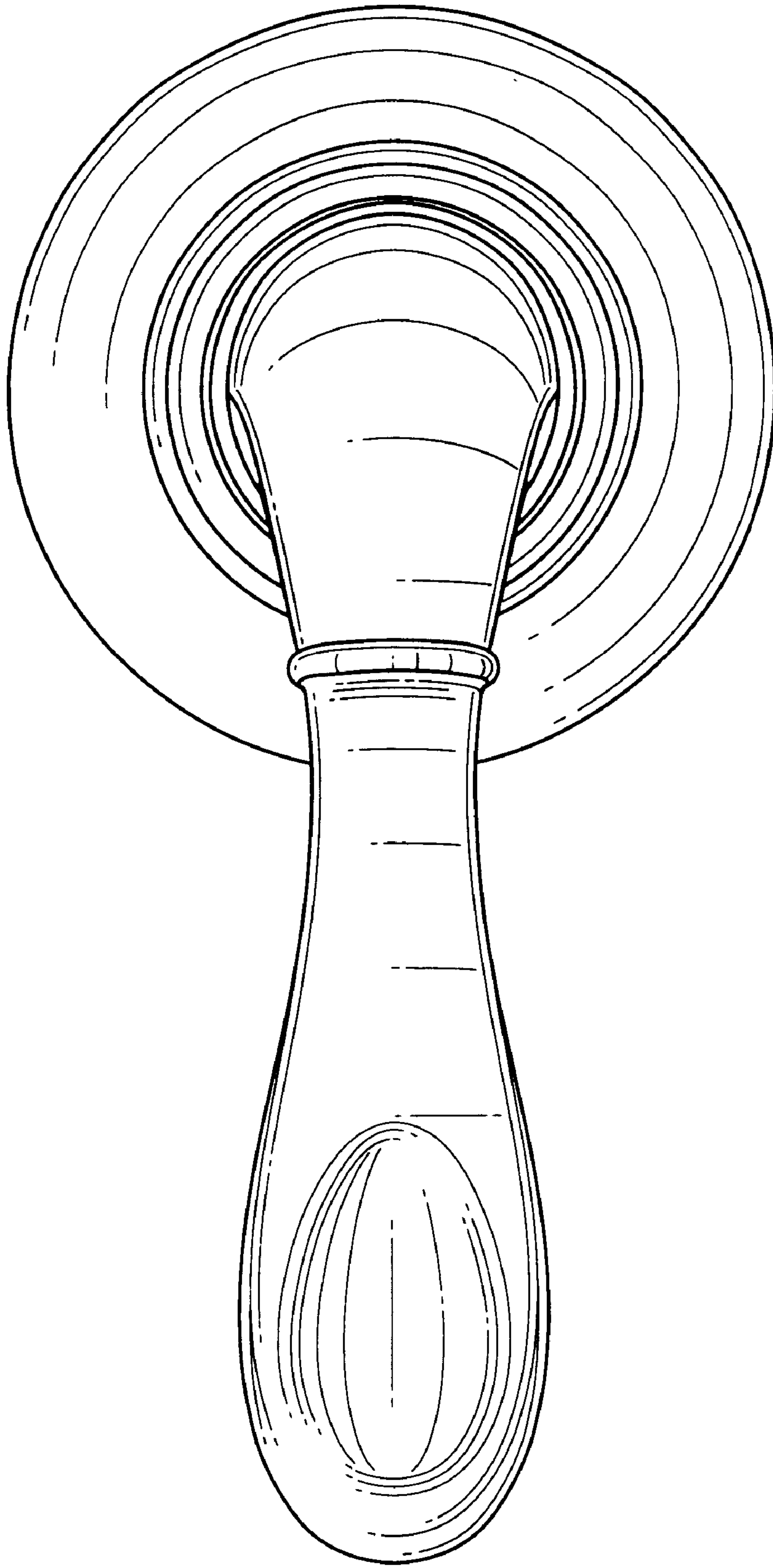


FIG. 3

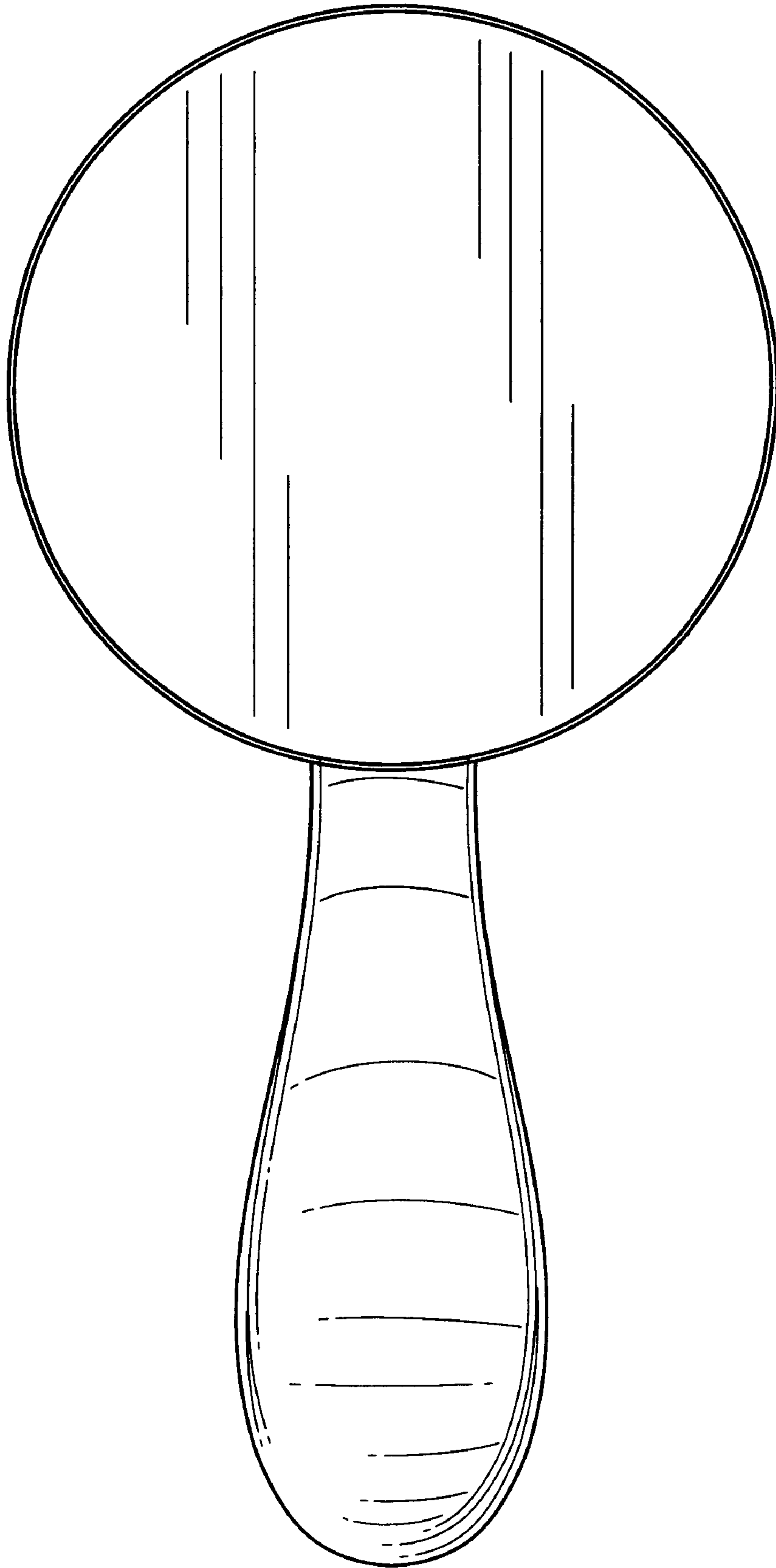


FIG. 4

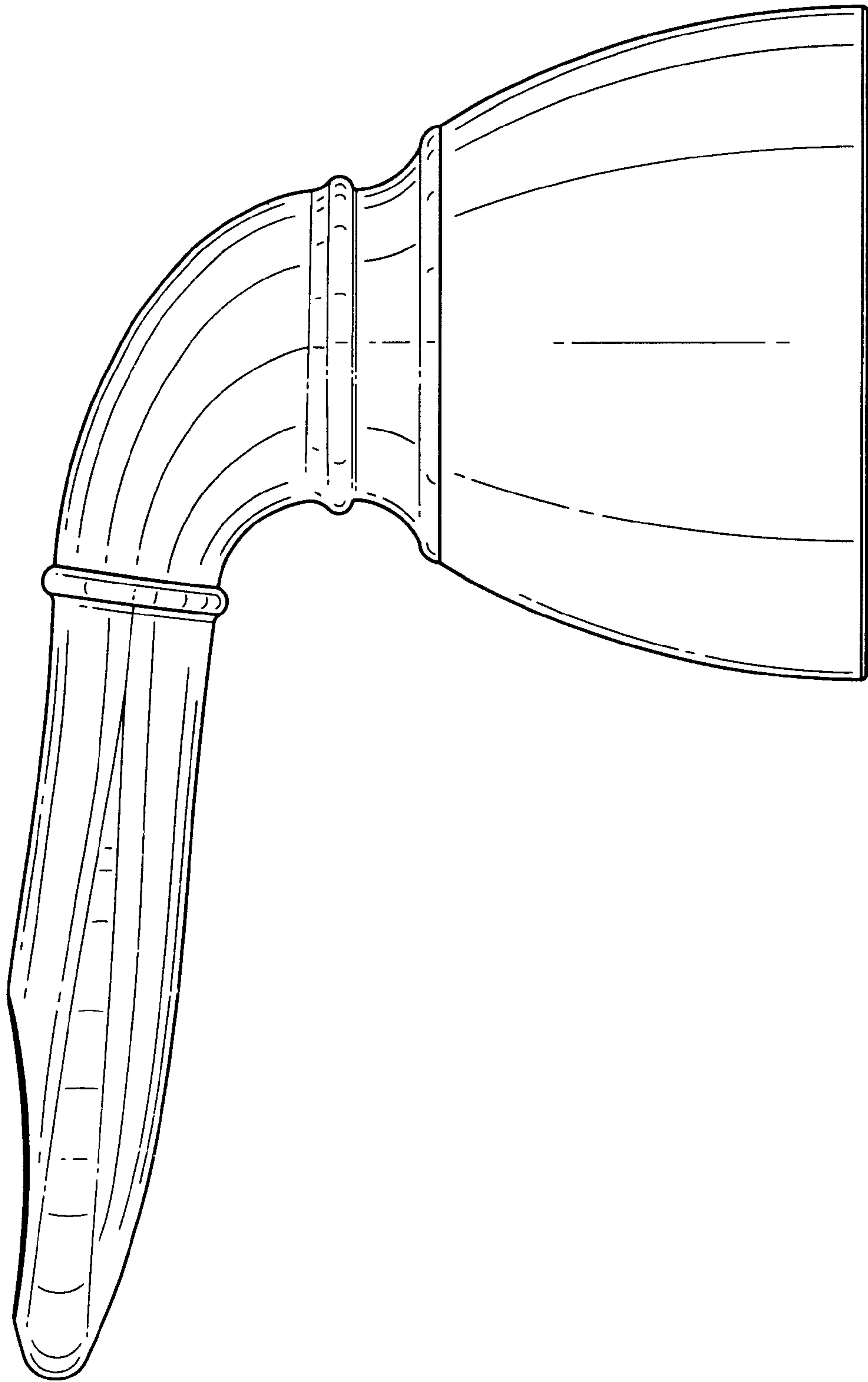


FIG. 5

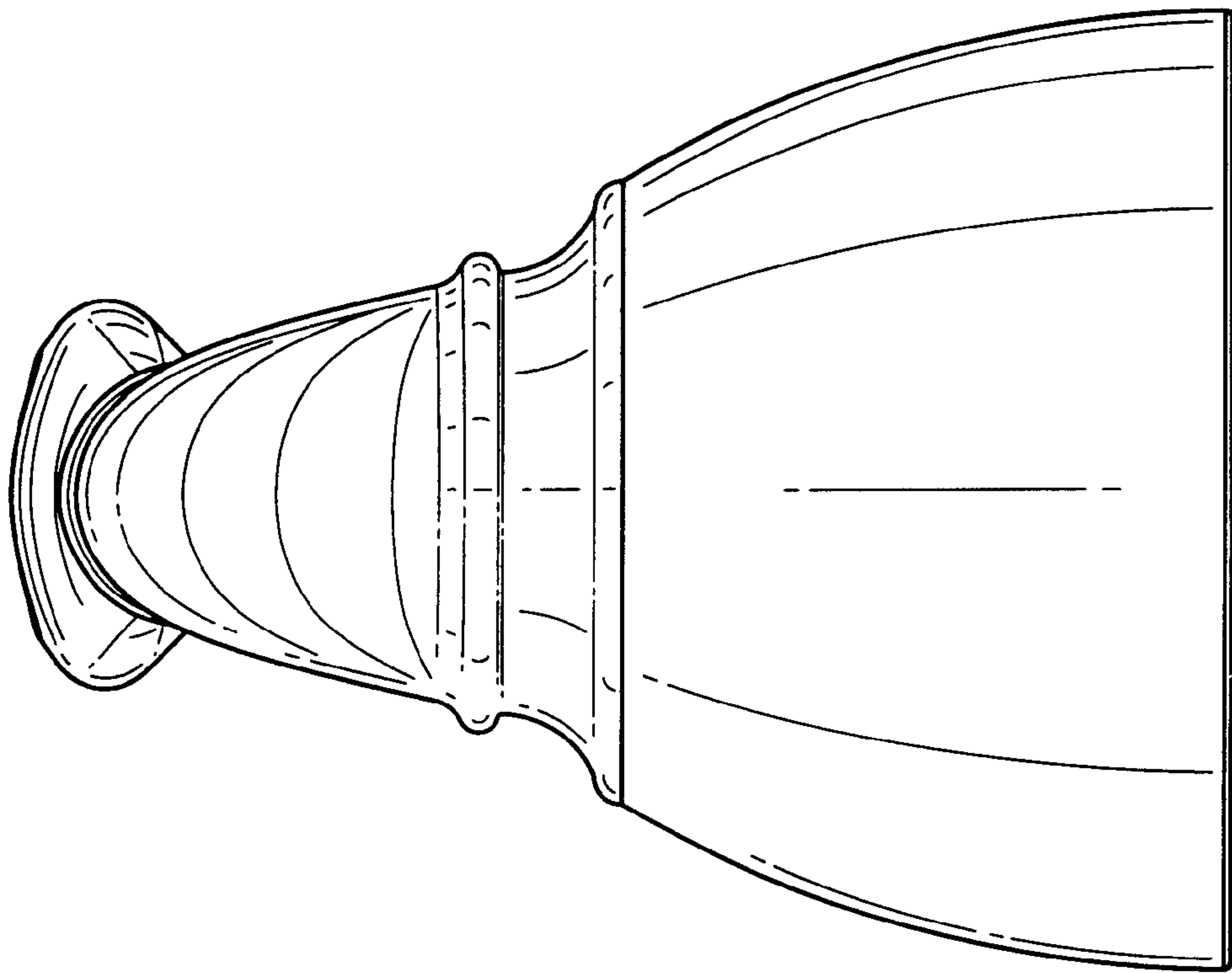


FIG. 6