



US00D460532S

(12) **United States Design Patent**
Marcichow et al.

(10) **Patent No.:** **US D460,532 S**

(45) **Date of Patent:** **** Jul. 16, 2002**

(54) **FAUCET HANDLE**

D442,264 S * 5/2001 Mullenmeister D23/252
D446,287 S * 8/2001 Fleischmann D23/250

(75) Inventors: **Martin E. Marcichow**, Hoffman Estates; **Charles S. Allen**, Kenilworth, both of IL (US)

* cited by examiner

(73) Assignee: **Sloan Valve Company**, Franklin Park, IL (US)

Primary Examiner—Louis S. Zarfes
Assistant Examiner—Gregory Andoll
(74) *Attorney, Agent, or Firm*—Cook, Alex, McFarron, Manzo, Cummings & Mehler, Ltd.

(**) Term: **14 Years**

(57) **CLAIM**

(21) Appl. No.: **29/149,294**

The ornamental design for a faucet handle, as shown and described.

(22) Filed: **Oct. 9, 2001**

DESCRIPTION

(51) **LOC (7) Cl.** **23-01**

(52) **U.S. Cl.** **D23/252; D23/250**

(58) **Field of Search** D23/238–257;
D8/300–308, 350–354; 4/675–678; 137/801;
16/110 R–121

FIG. 1 is a perspective view of our new design for a faucet handle;
FIG. 2 is a left side view thereof, the right side being the same as the left side;
FIG. 3 is a front view thereof;
FIG. 4 is a rear view thereof;
FIG. 5 is a top view thereof; and,
FIG. 6 is a bottom view thereof.

(56) **References Cited**

U.S. PATENT DOCUMENTS

D316,747 S * 5/1991 Fleischmann D23/252

1 Claim, 1 Drawing Sheet

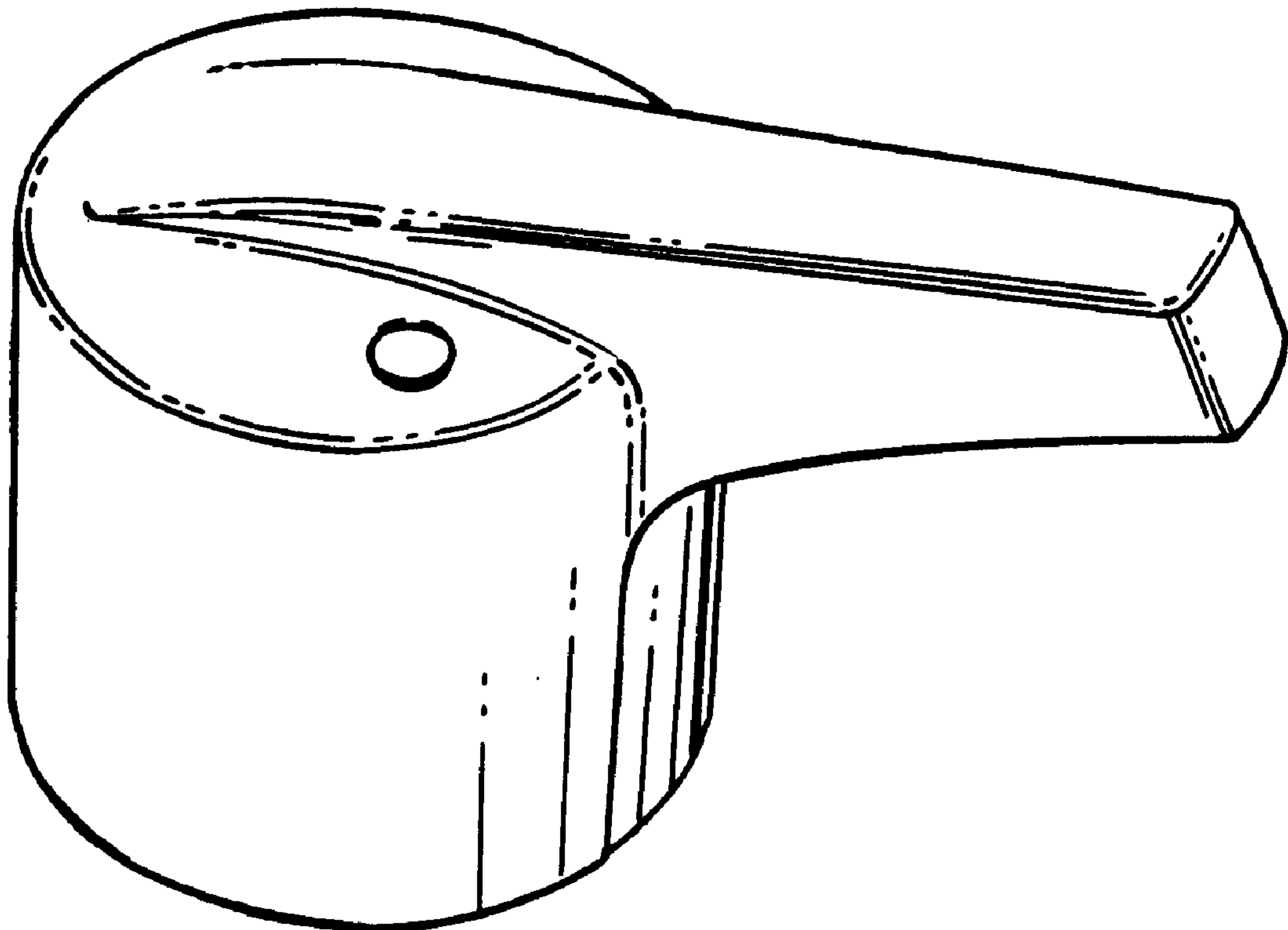


FIG. 1.

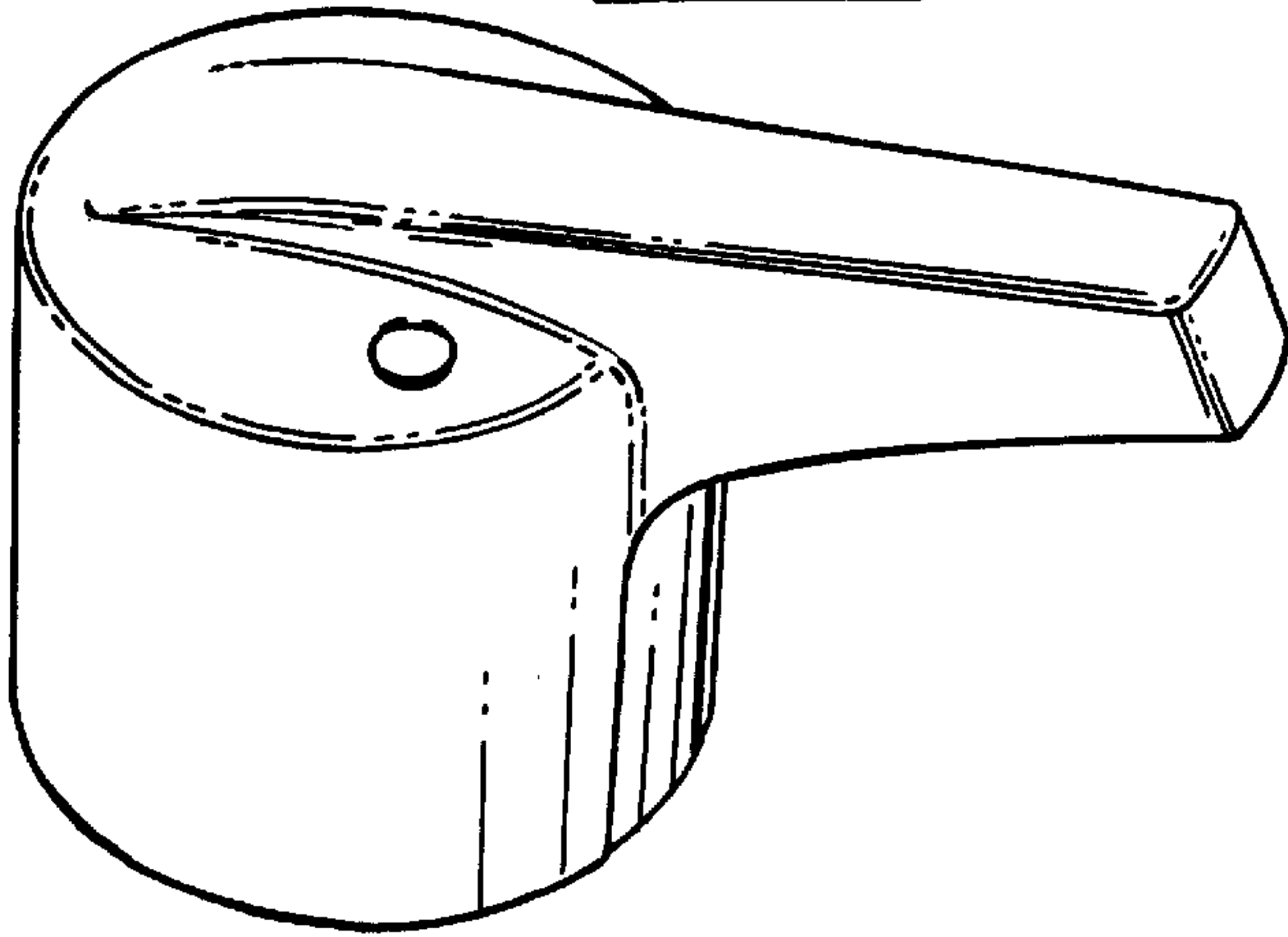


FIG. 3.

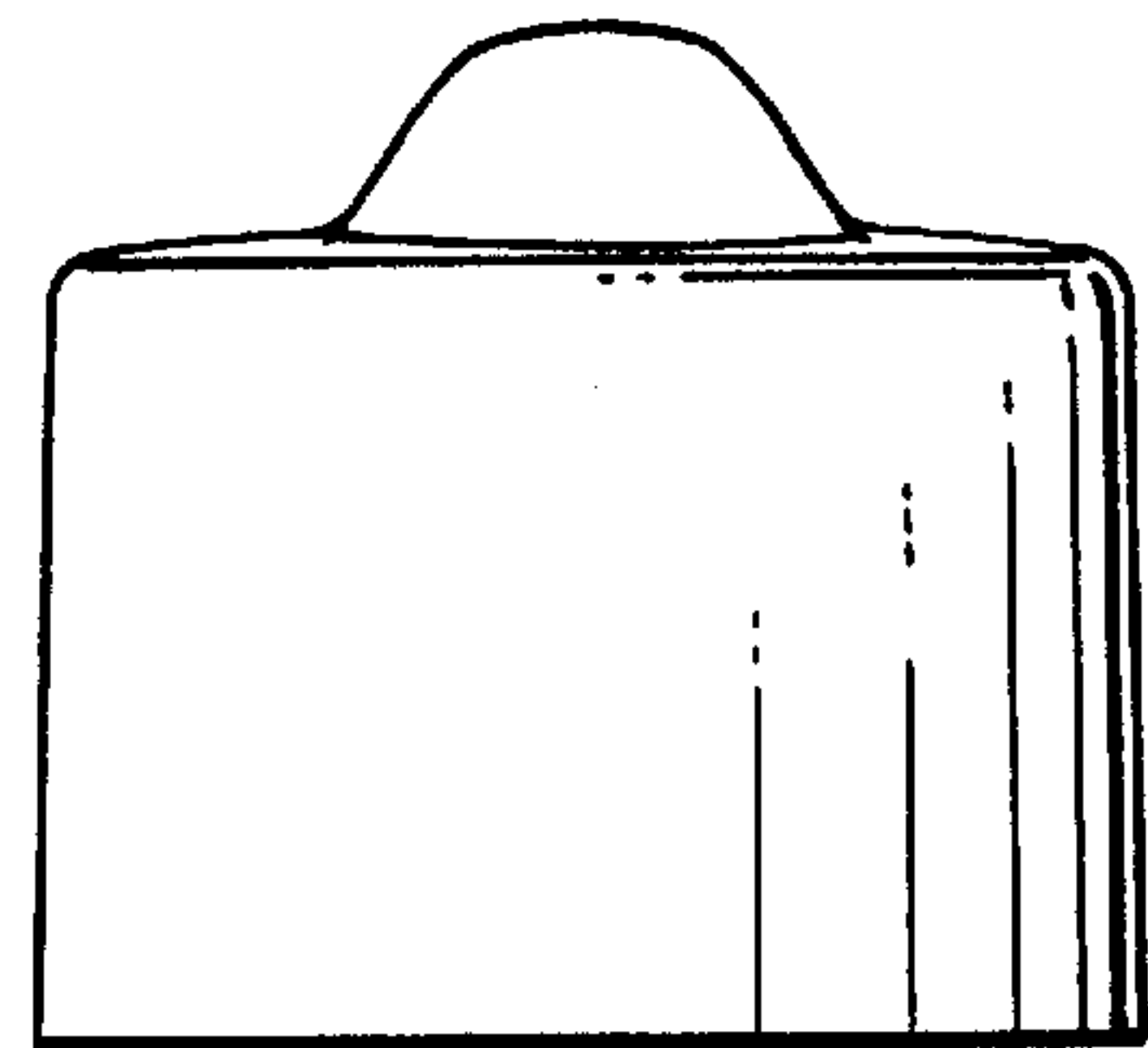
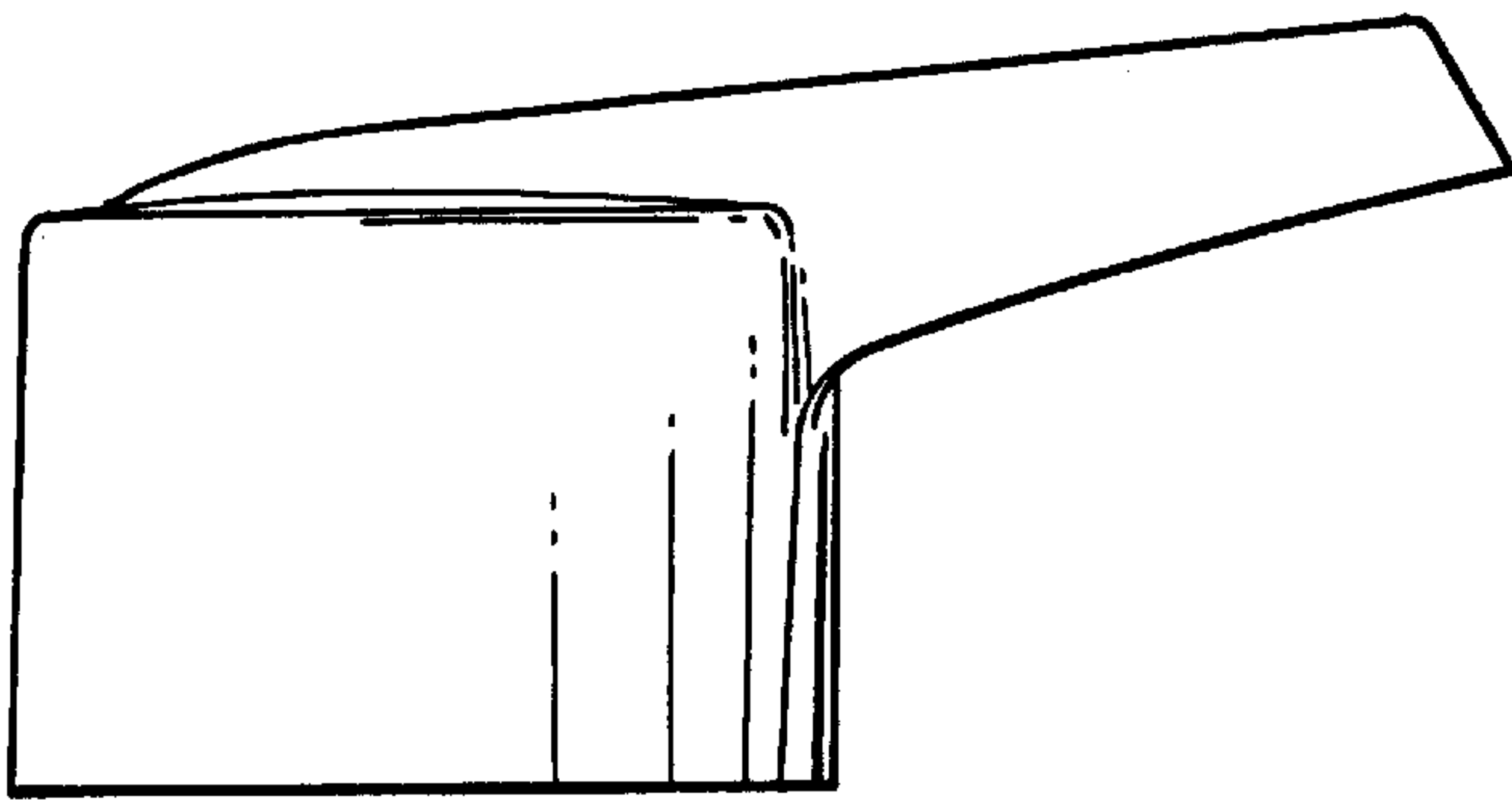
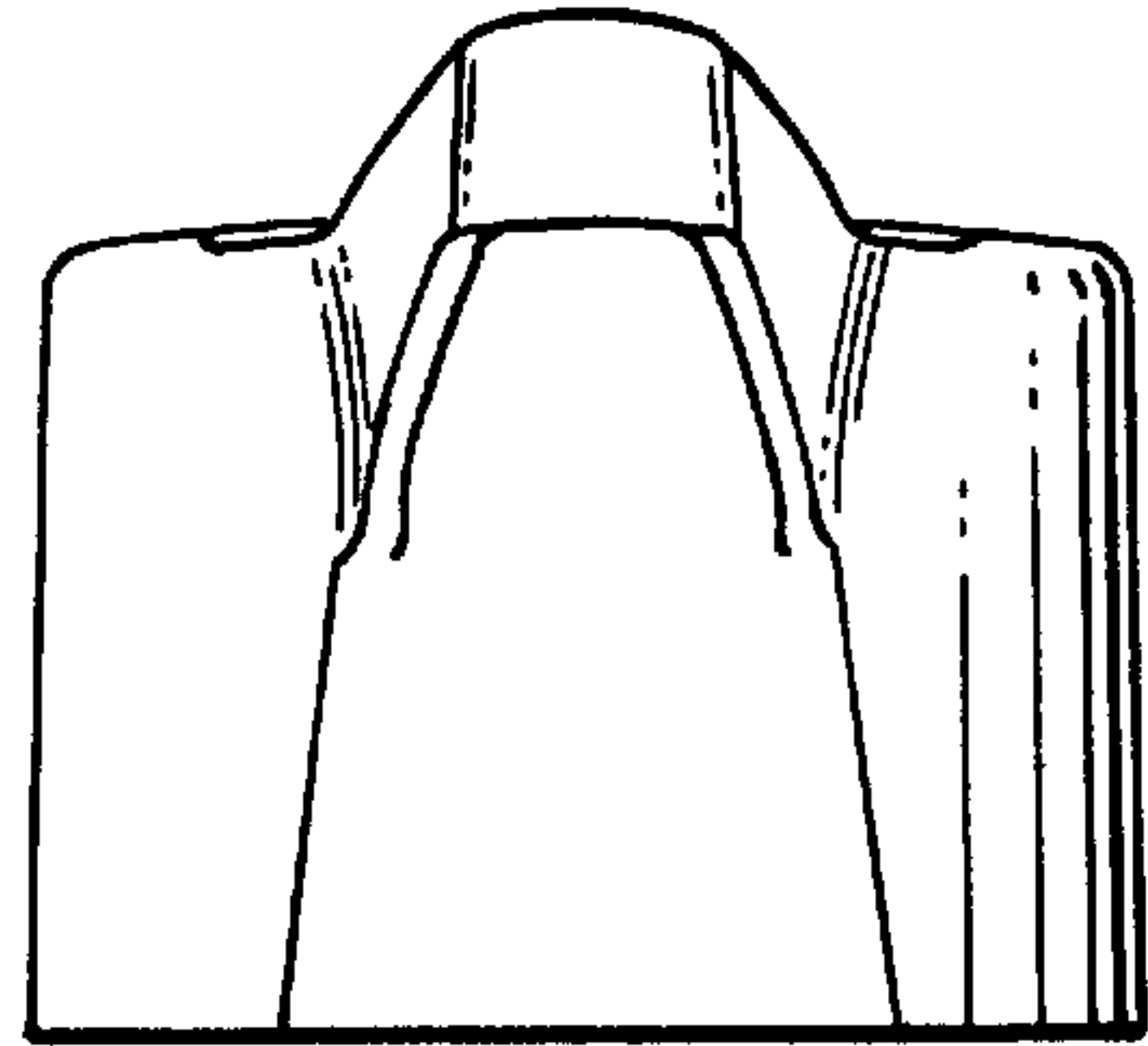


FIG. 2.

FIG. 4.

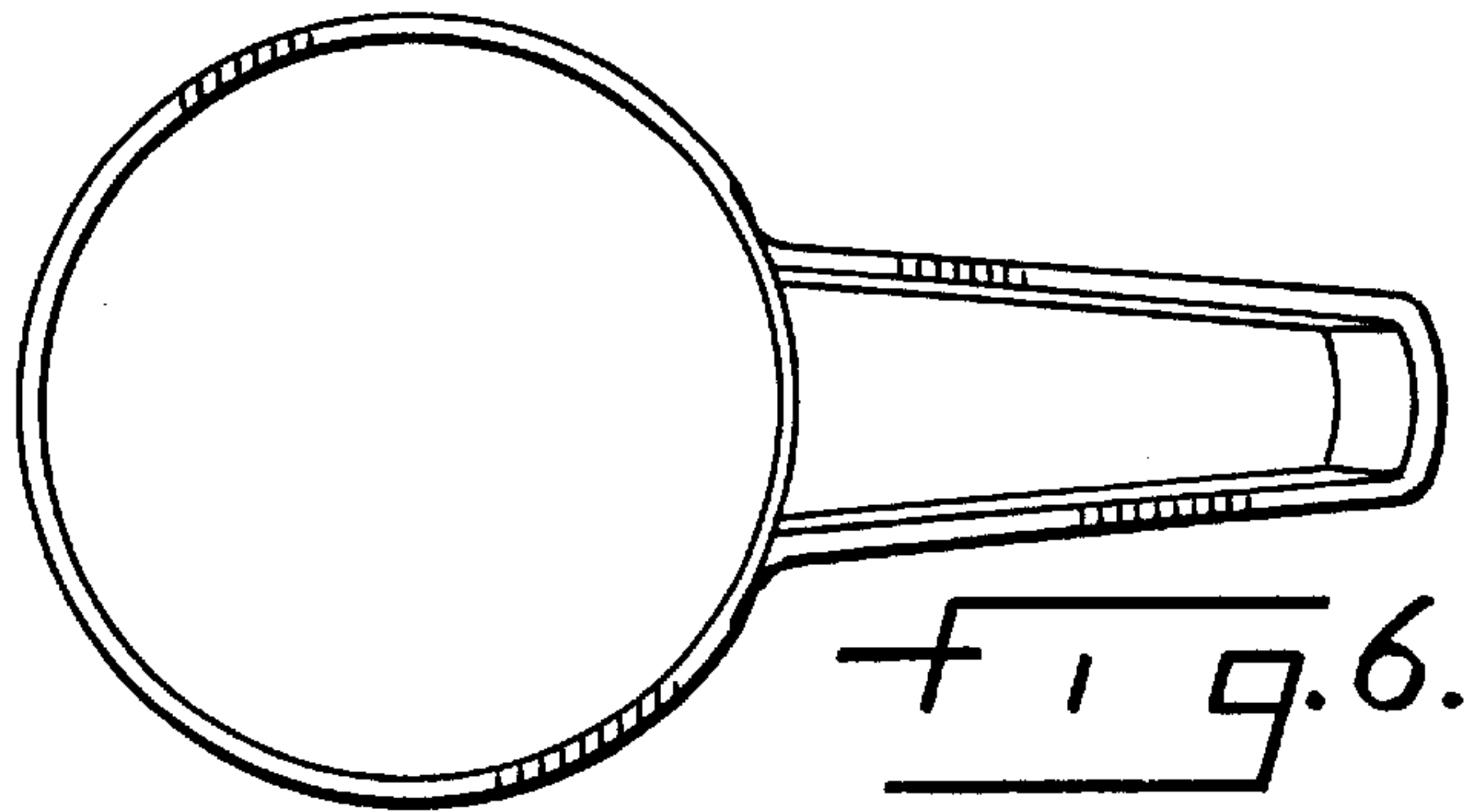


FIG. 6.

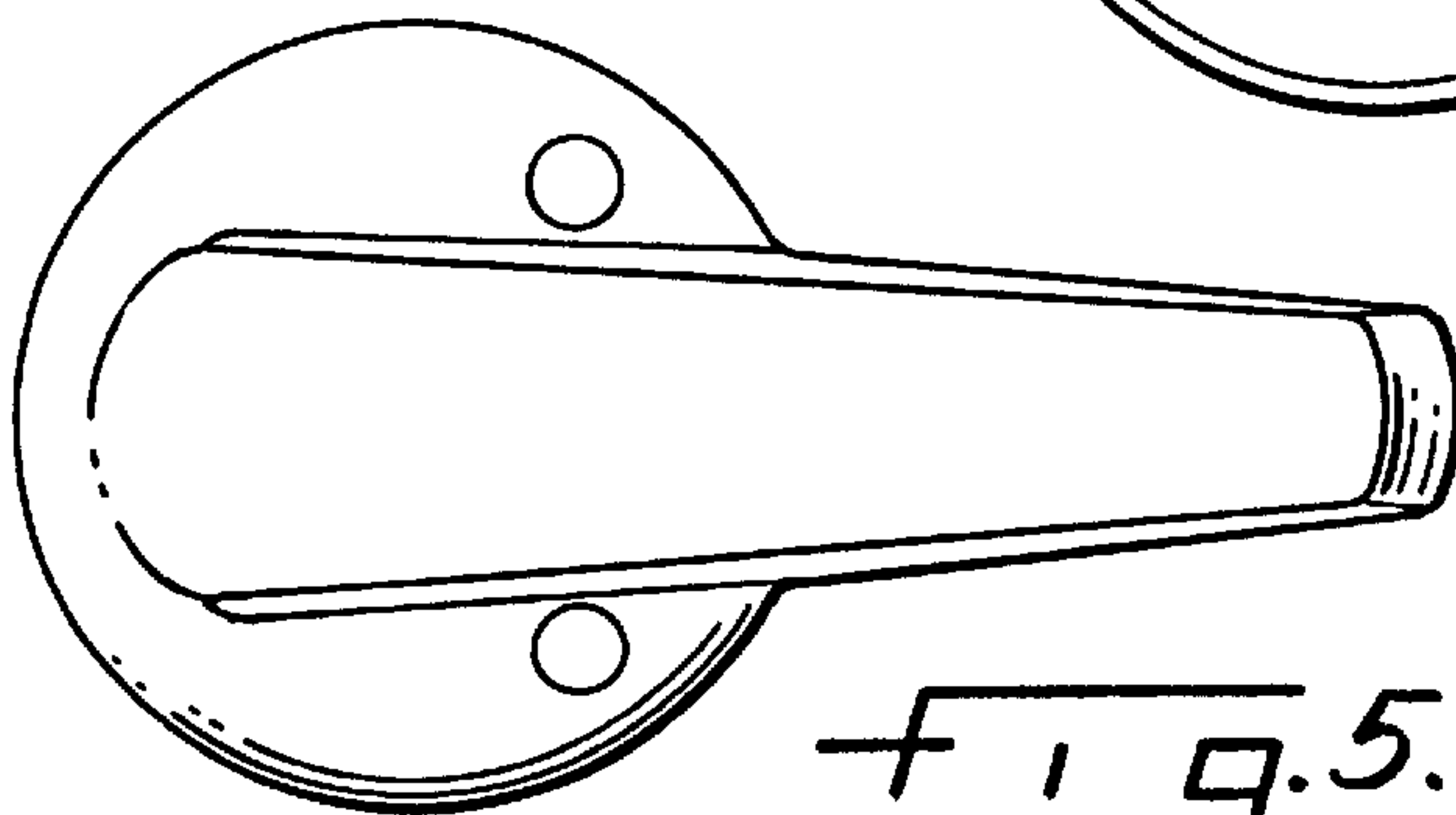


FIG. 5.