



US00D460526S

(12) **United States Design Patent**  
**Weingarten**

(10) **Patent No.:** **US D460,526 S**

(45) **Date of Patent:** **\*\* Jul. 16, 2002**

(54) **CONTROL VALVE**

(75) **Inventor:** **Zvi Weingarten, Kibbutz Evron (IL)**

(73) **Assignee:** **Bermad Limited Partnership, Kibbutz Evron (IL)**

(\*\*) **Term:** **14 Years**

(21) **Appl. No.:** **29/138,921**

(22) **Filed:** **Mar. 21, 2001**

(51) **LOC (7) Cl.** ..... **23-01**

(52) **U.S. Cl.** ..... **D23/244**

(58) **Field of Search** ..... **D23/244-249,**  
**D23/233-237; 169/20, 22; 251/6, 6.1, 61.1-61.6,**  
**30.02, 30.5, 331, 145, 46; 137/112, 375**

(56) **References Cited**

**U.S. PATENT DOCUMENTS**

4,221,361	A	*	9/1980	Weingarten	.....	251/331
4,284,098	A	*	8/1981	Kruschik	.....	137/219
4,319,737	A	*	3/1982	Waterfield	.....	251/331
D335,331	S	*	5/1993	Weingarten	.....	D23/248
5,271,601	A	*	12/1993	Bonzer et al.	.....	251/61.1

5,829,473	A	*	11/1998	Hajbi et al.	.....	137/315
5,909,747	A	*	6/1999	Schieber	.....	137/492
6,095,484	A	*	8/2000	Frenkel	.....	251/61.1
6,102,071	A	*	8/2000	Walton et al.	.....	137/540

\* cited by examiner

*Primary Examiner*—Nelson C Holtje

(74) *Attorney, Agent, or Firm*—William H. Dippert; Reed Smith LLP

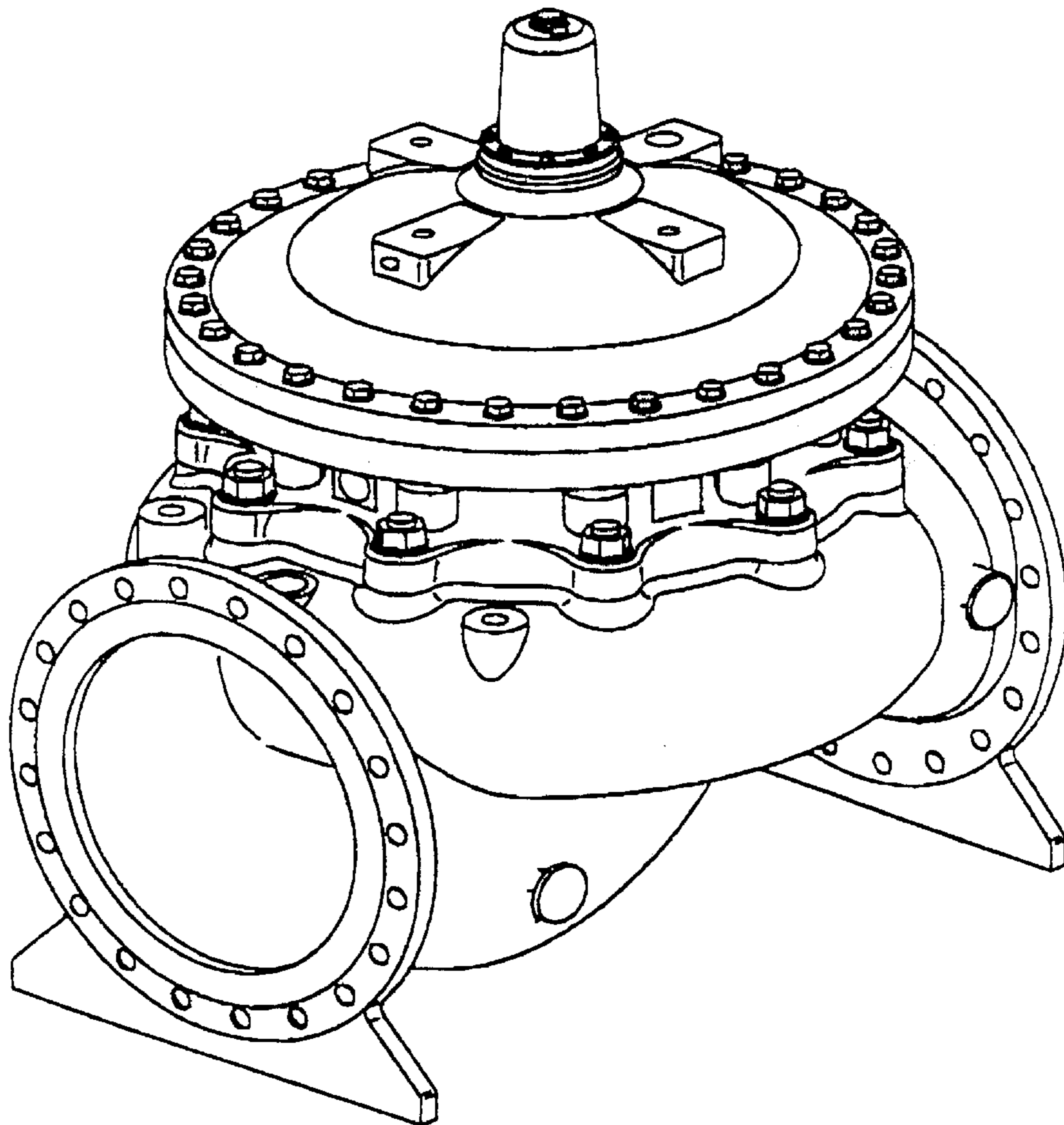
(57) **CLAIM**

The ornamental design for the control valve, as shown and described.

**DESCRIPTION**

FIG. 1 is a front perspective view of an embodiment of the control valve showing my new design; FIG. 2 is a right side view thereof; FIG. 3 is a left side view thereof; FIG. 4 is a front elevational view thereof; FIG. 5 is a rear elevational view thereof; FIG. 6 is a top plan view thereof; and, FIG. 7 is a bottom view thereof.

**1 Claim, 7 Drawing Sheets**



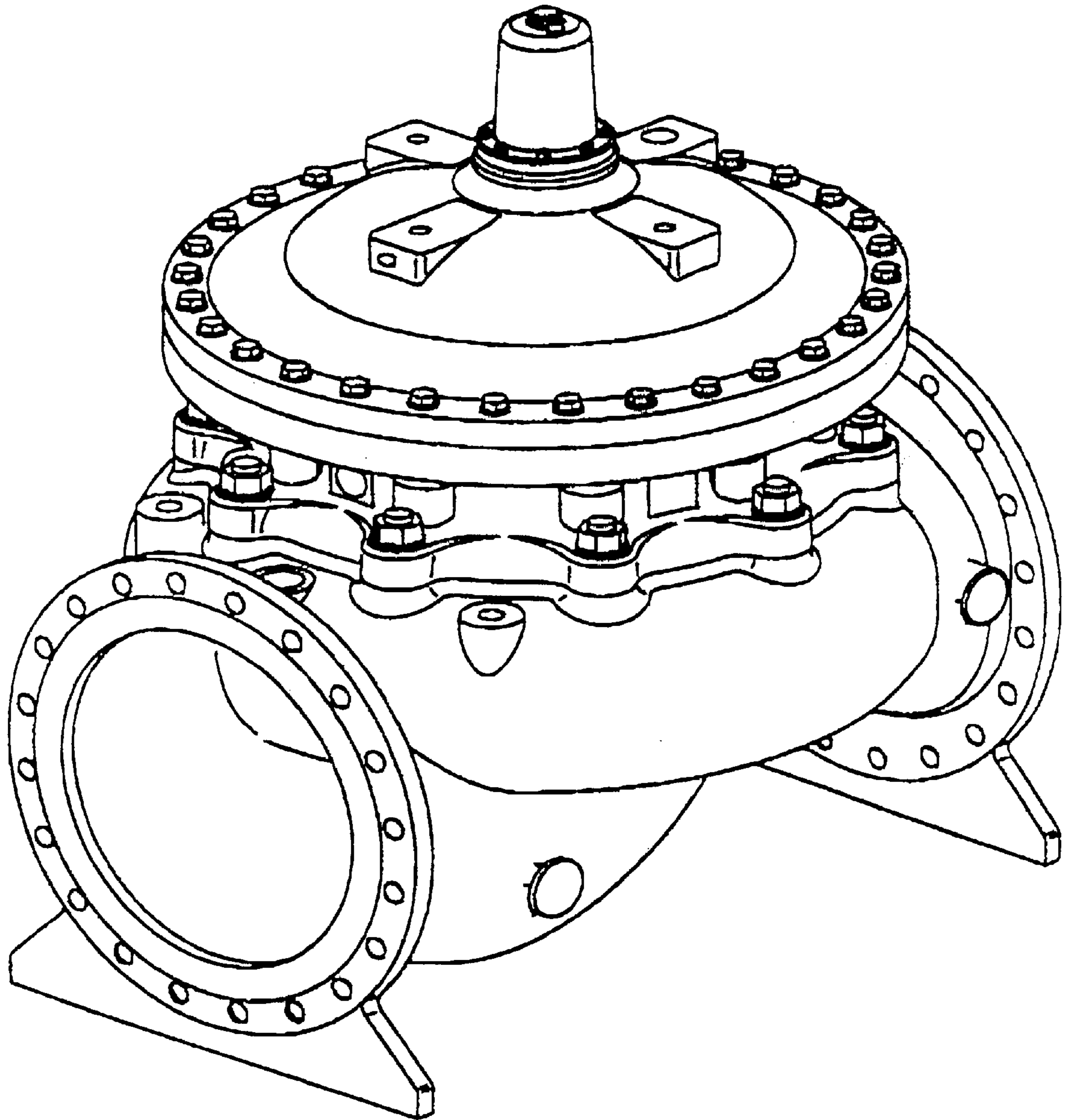


Figure 1

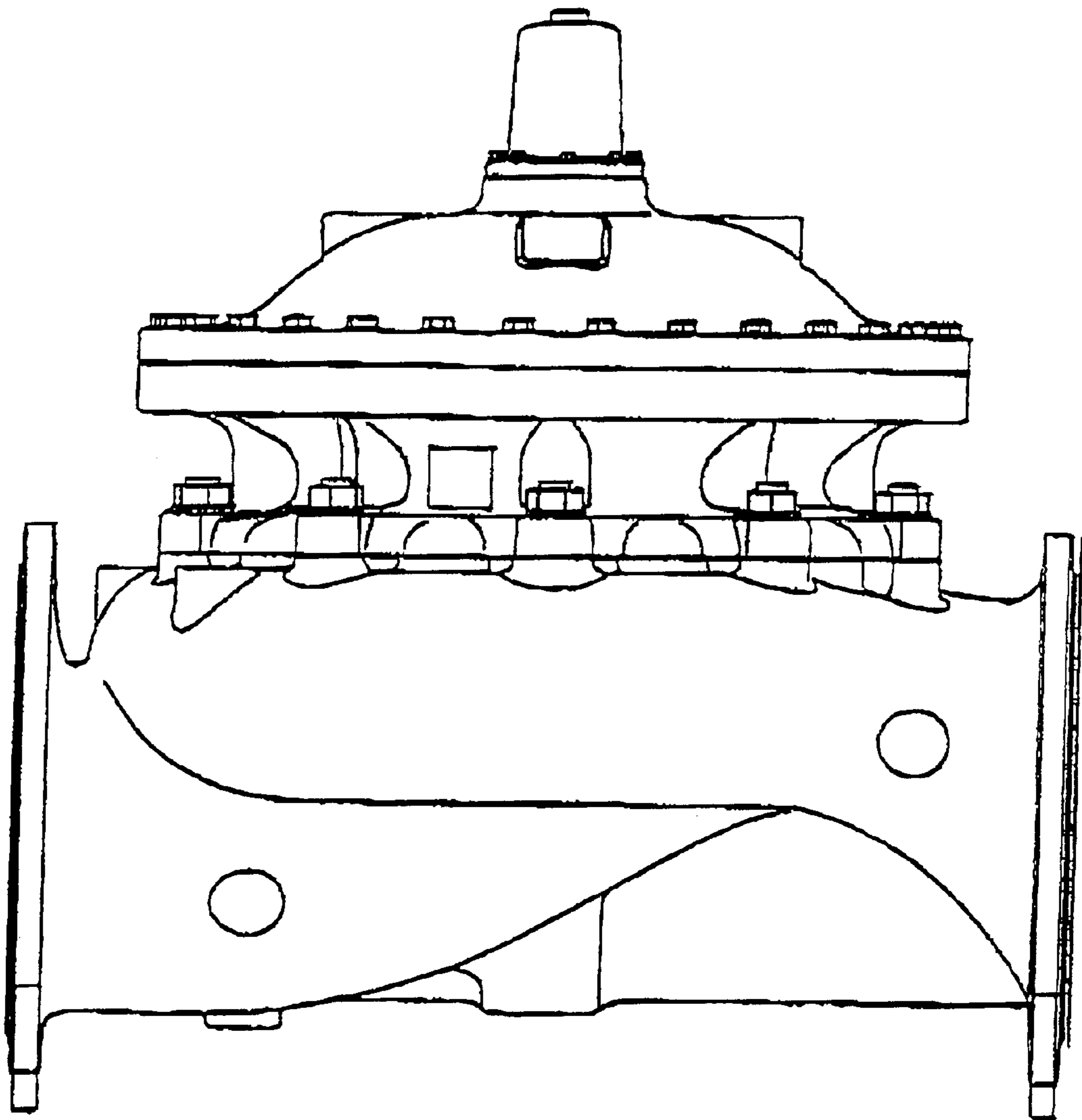


Figure 2

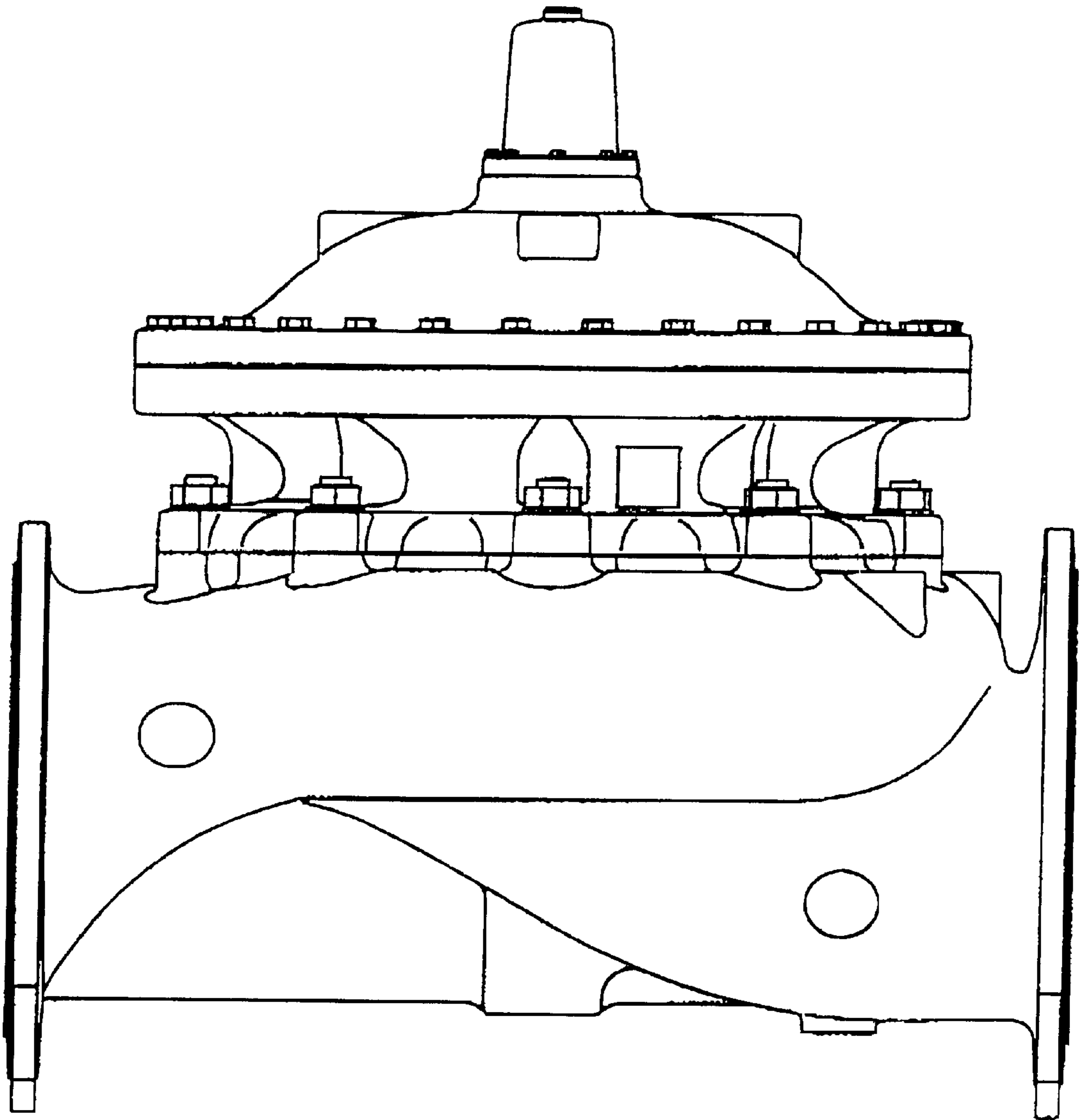


Figure 3

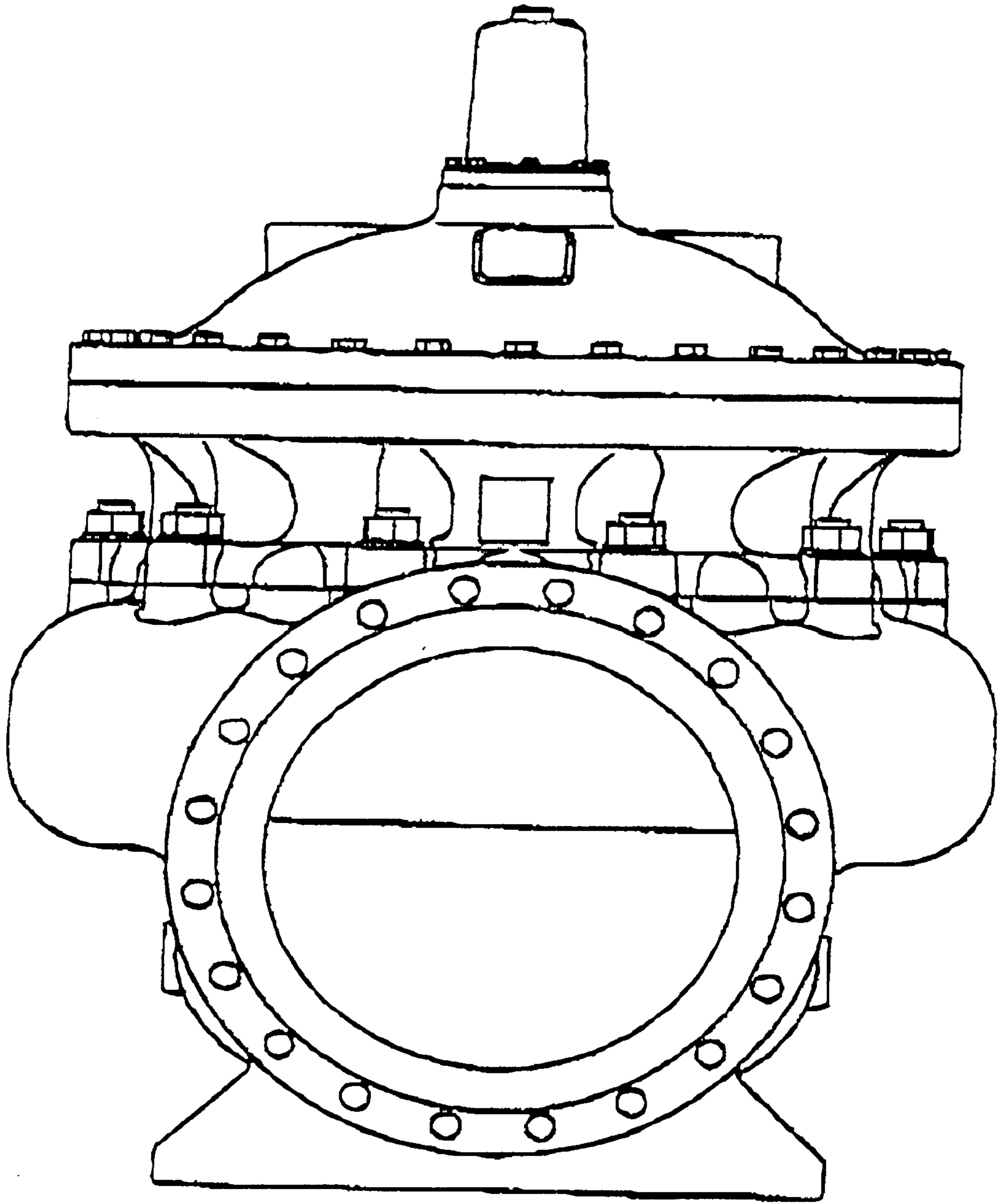


Figure 4



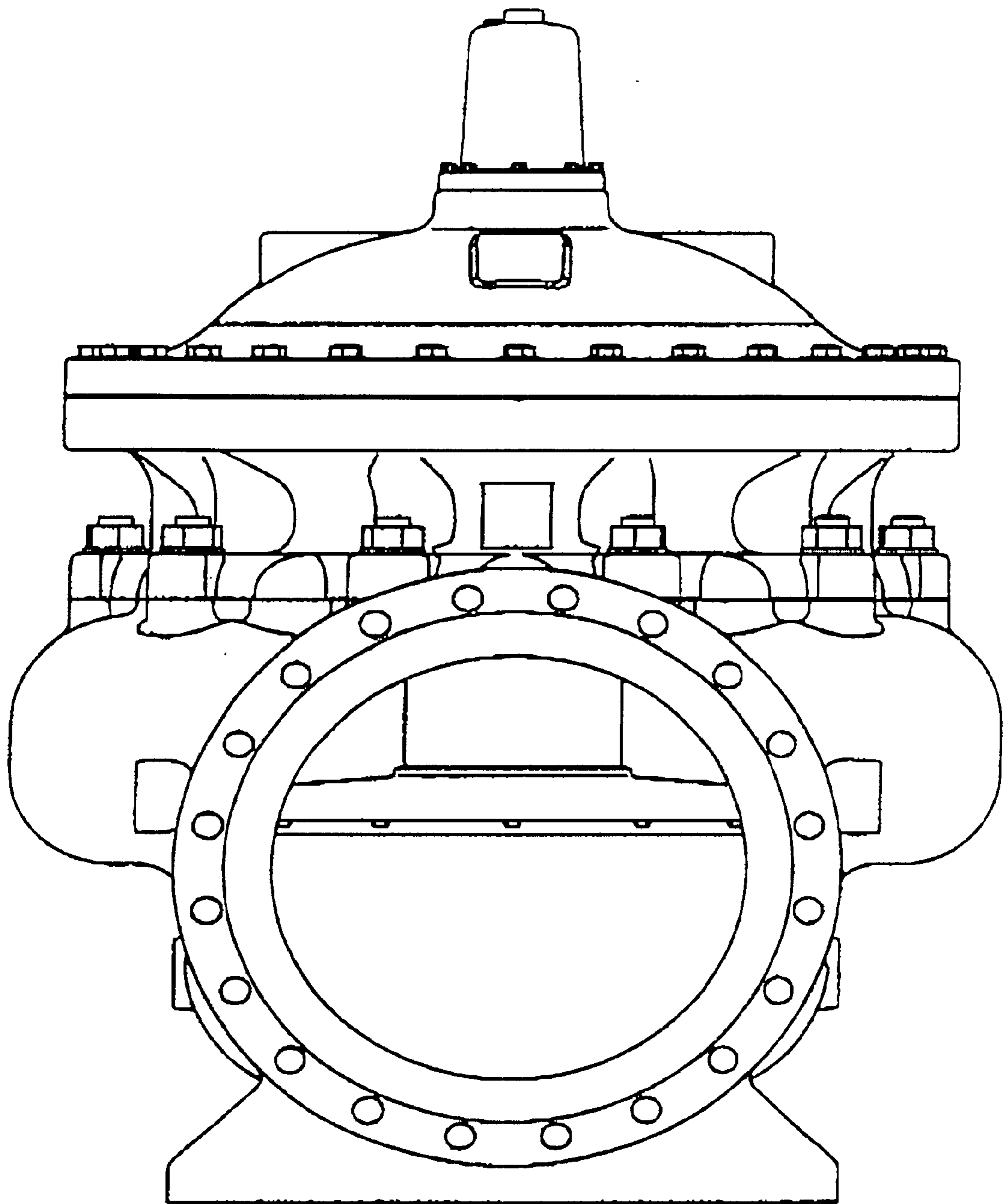


Figure 5

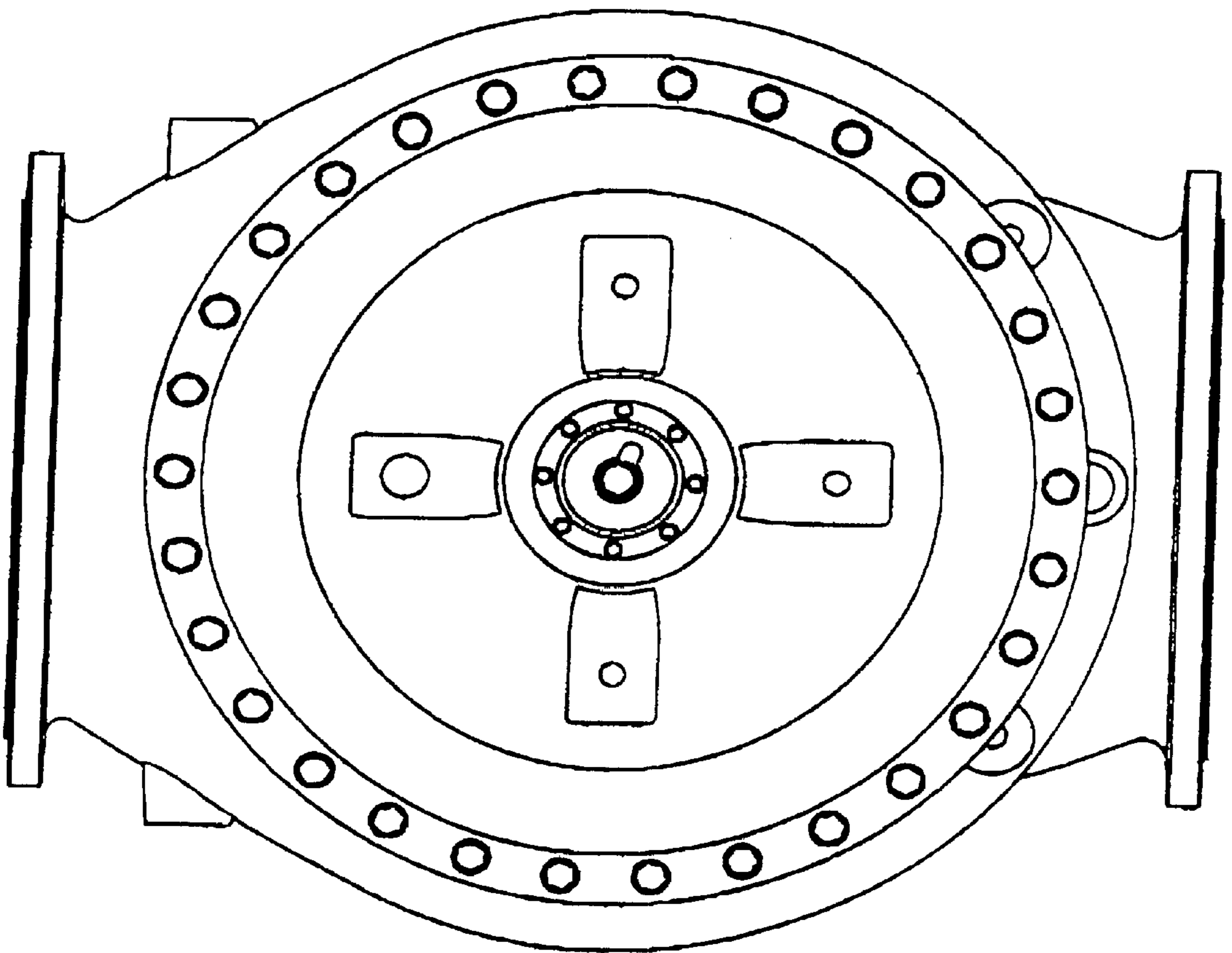


Figure 6

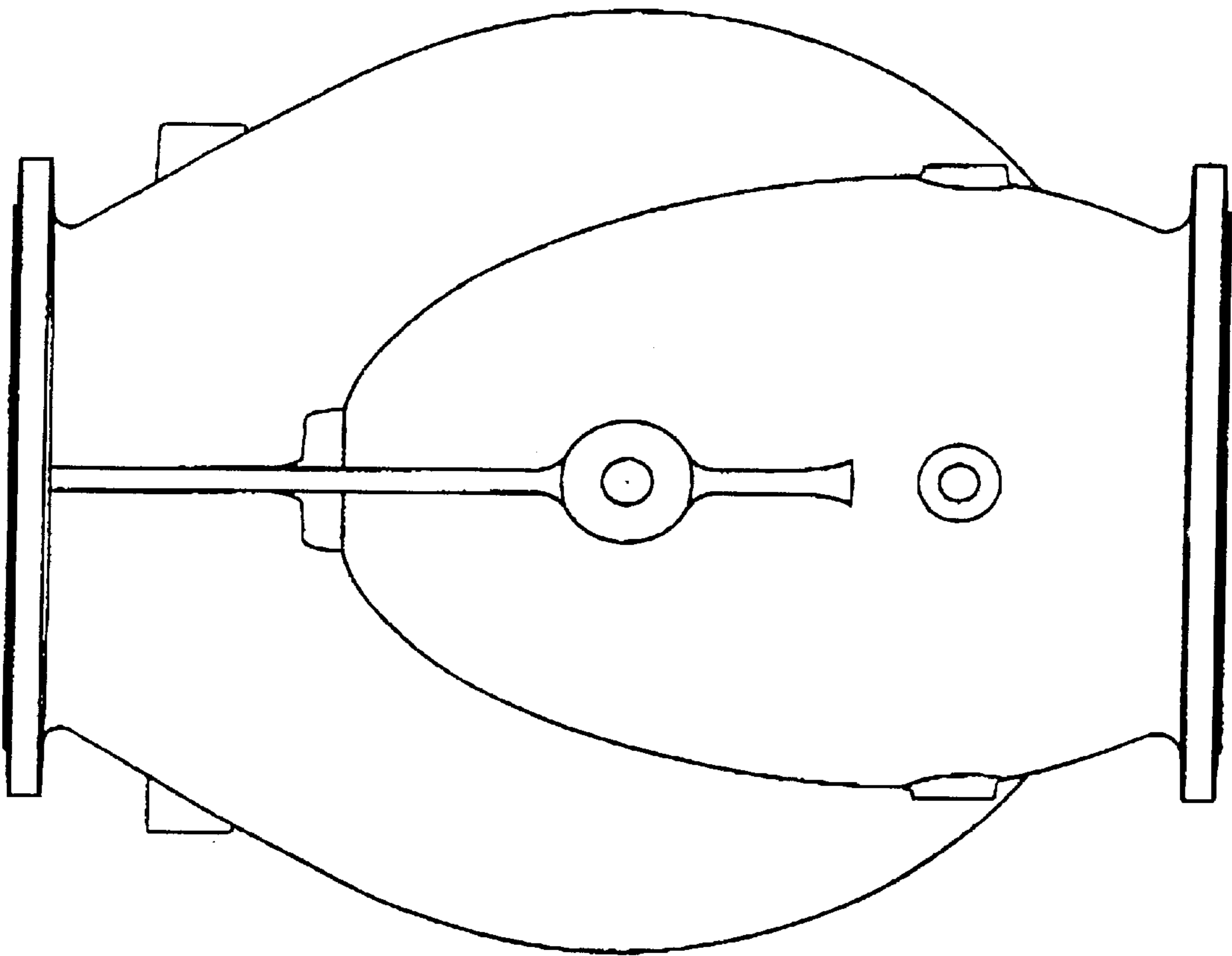


Figure 7