



US00D460523S

(12) **United States Design Patent**  
**Green et al.**

(10) **Patent No.:** **US D460,523 S**

(45) **Date of Patent:** **\*\* Jul. 16, 2002**

(54) **FAUCET**

(75) **Inventors:** **Eric Green**, Cleveland Heights;  
**Douglas A. Kemp**, North Ridgeville,  
both of OH (US)

(73) **Assignee:** **Moen Incorporated**, North Olmsted,  
OH (US)

(\*\*) **Term:** **14 Years**

(21) **Appl. No.:** **29/135,862**

(22) **Filed:** **Jan. 19, 2001**

(51) **LOC (7) Cl.** ..... **23-01**

(52) **U.S. Cl.** ..... **D23/241**

(58) **Field of Search** ..... D23/238-243,  
D23/250-257; 4/675-678; 137/801; D8/300-310

(56) **References Cited**

**U.S. PATENT DOCUMENTS**

D276,259 S	11/1984	Miller
D285,106 S	8/1986	Yost
D288,835 S	3/1987	Yost
D290,388 S	6/1987	Yost
D318,717 S	7/1991	Spangler
D332,135 S	12/1992	Bonnell
D332,824 S	1/1993	Robbins
D357,525 S	4/1995	Fabian
D366,517 S	1/1996	Doughty et al.
D368,302 S	3/1996	Doughty et al.
D372,300 S	7/1996	Fabian

D384,130 S	9/1997	Doughty et al.
D384,132 S	9/1997	Doughty et al.
D384,394 S	9/1997	Doughty et al.
D384,402 S	9/1997	Doughty et al.
D385,016 S	10/1997	Doughty et al.
D390,921 S	2/1998	Steffes et al.
D391,831 S	3/1998	Doughty et al.
D393,692 S	4/1998	Ko
D395,812 S	7/1998	Doughty et al.
D399,930 S	10/1998	Lord
D404,470 S	1/1999	Pitsch et al.
D404,802 S	1/1999	Delker
D426,872 S	6/2000	Milrud et al.
D429,798 S	8/2000	Milrud et al.

*Primary Examiner*—Louis S. Zarfes

*Assistant Examiner*—Gregory Andoll

(74) *Attorney, Agent, or Firm*—Cook, Alex, McFarron,  
Manzo, Cummings & Mehler, Ltd.

(57) **CLAIM**

The ornamental design for a faucet, as shown and described.

**DESCRIPTION**

FIG. 1 is a perspective view of our new design for a faucet;  
FIG. 2 is a front view thereof;  
FIG. 3 is a right side view thereof, the left side being the  
same as the right side;  
FIG. 4 is a rear view thereof;  
FIG. 5 is a top view thereof; and,  
FIG. 6 is a bottom view thereof.

**1 Claim, 4 Drawing Sheets**

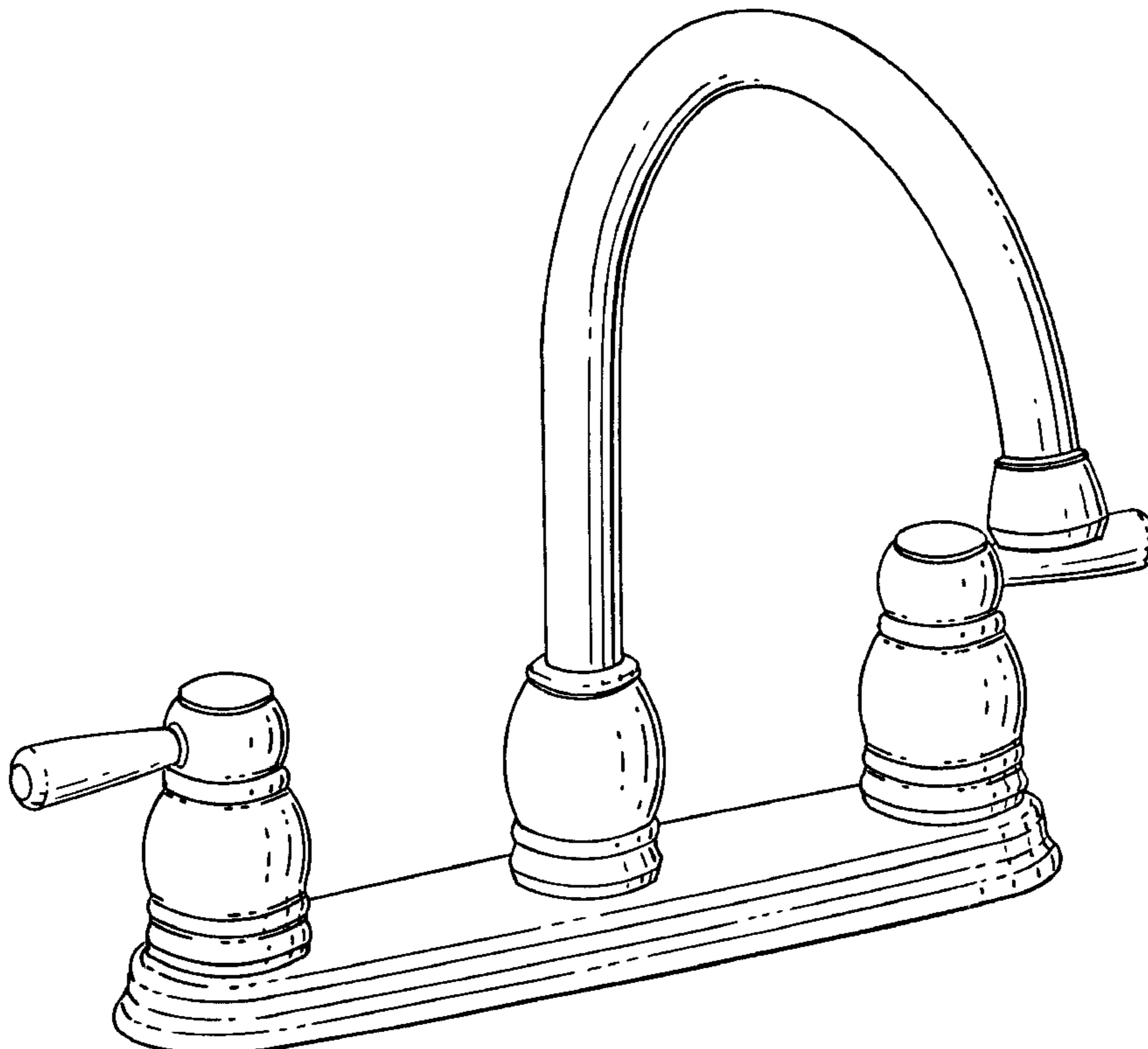


Fig. 1.

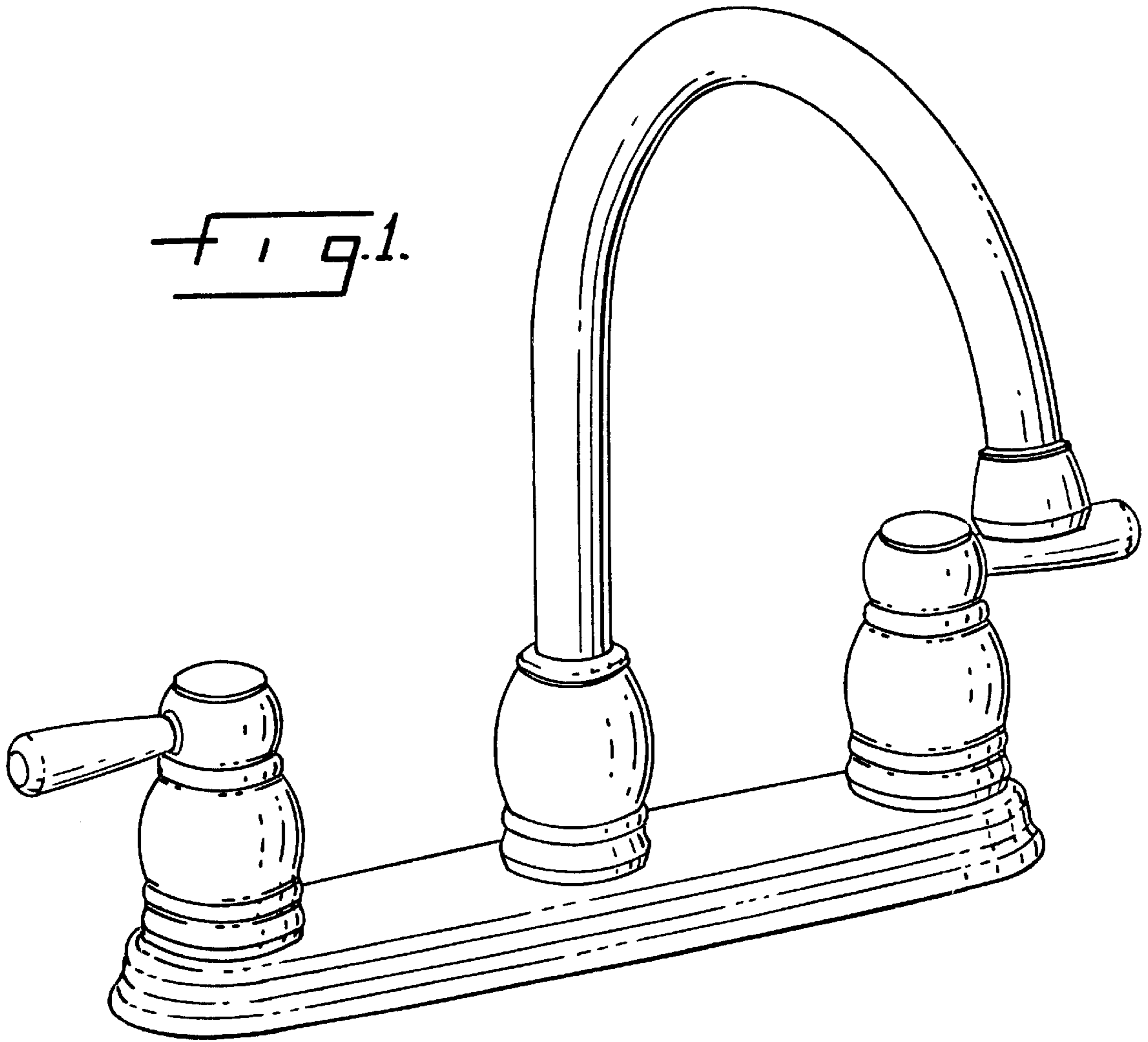
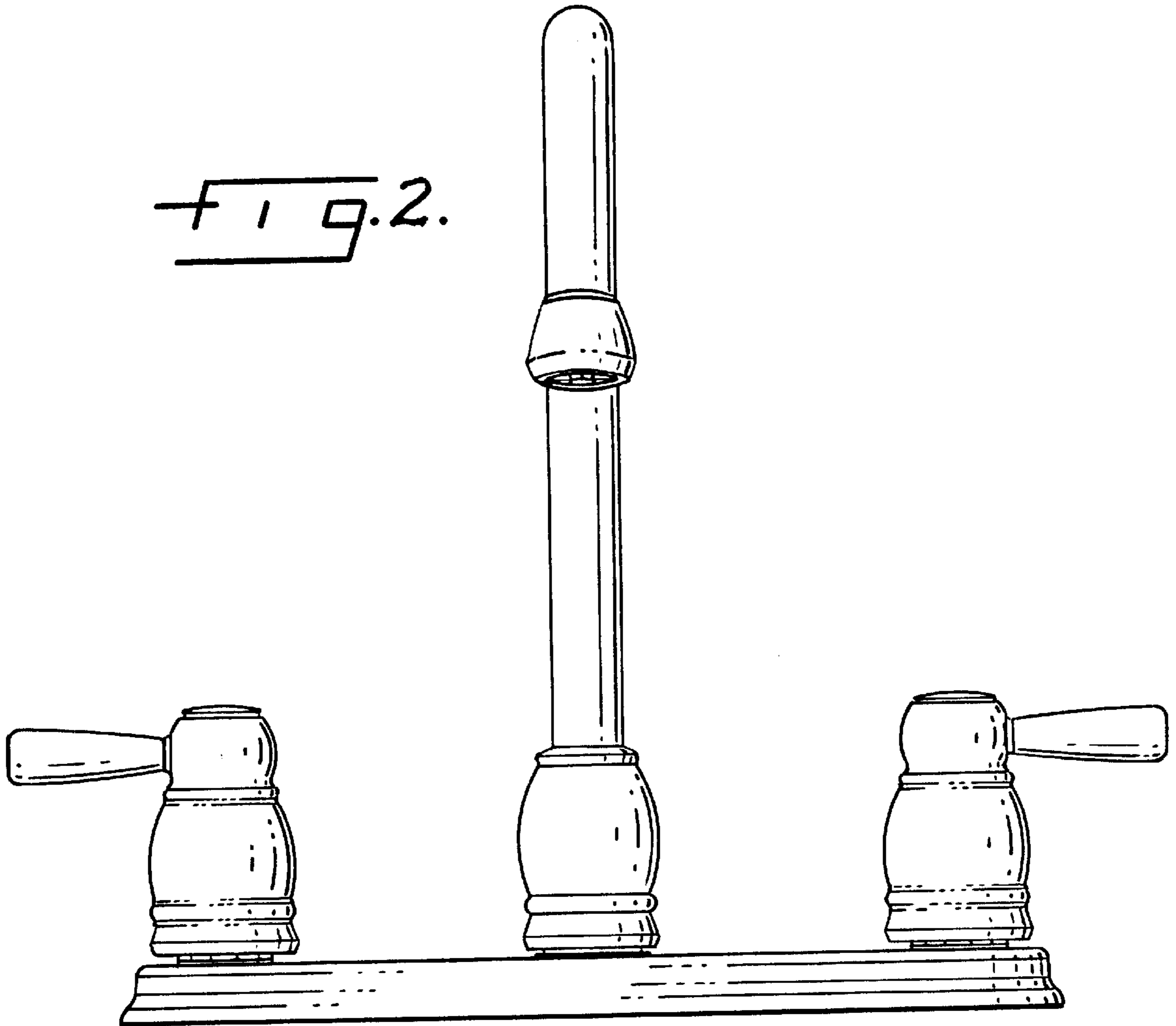
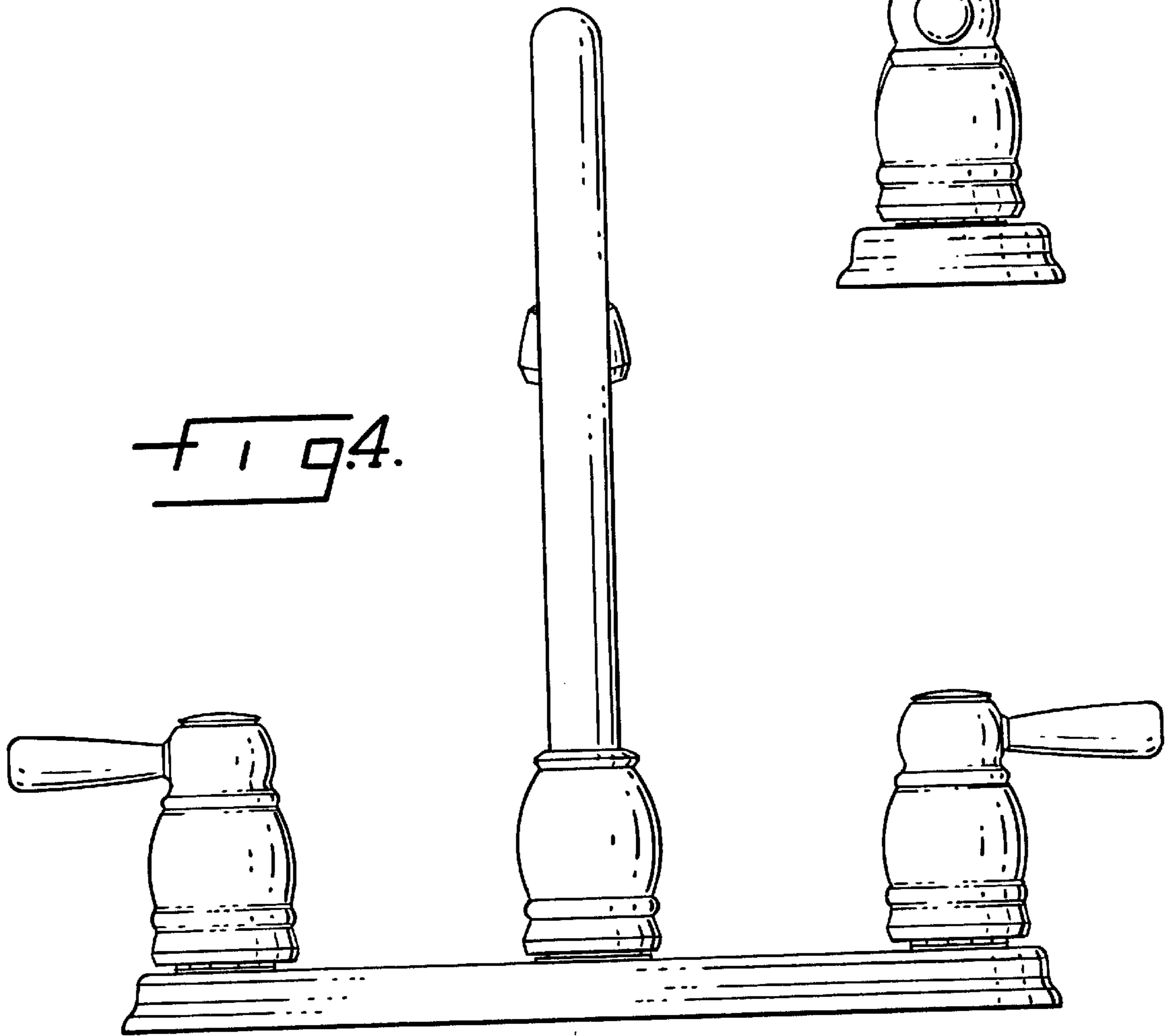
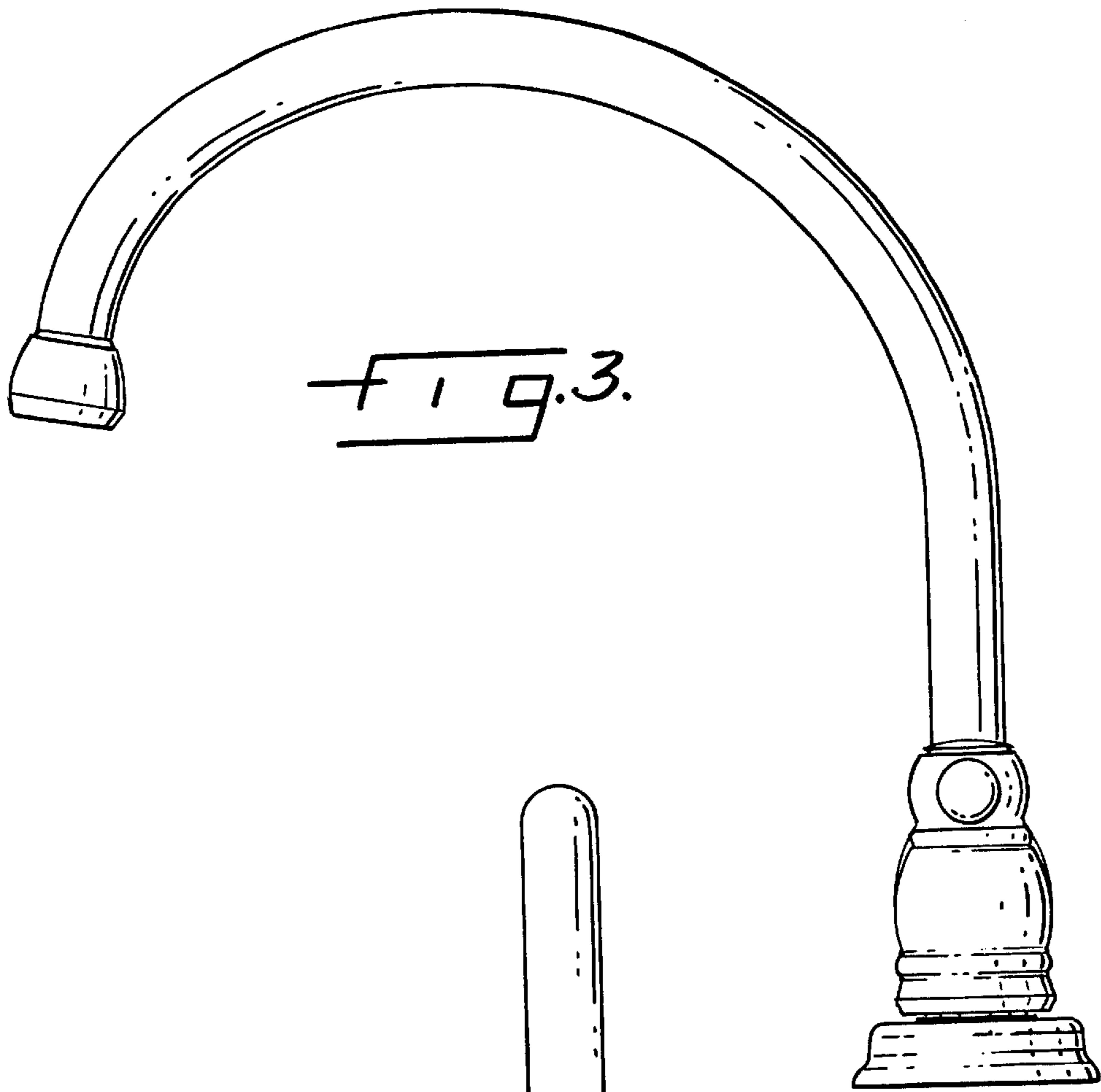


FIG. 2.





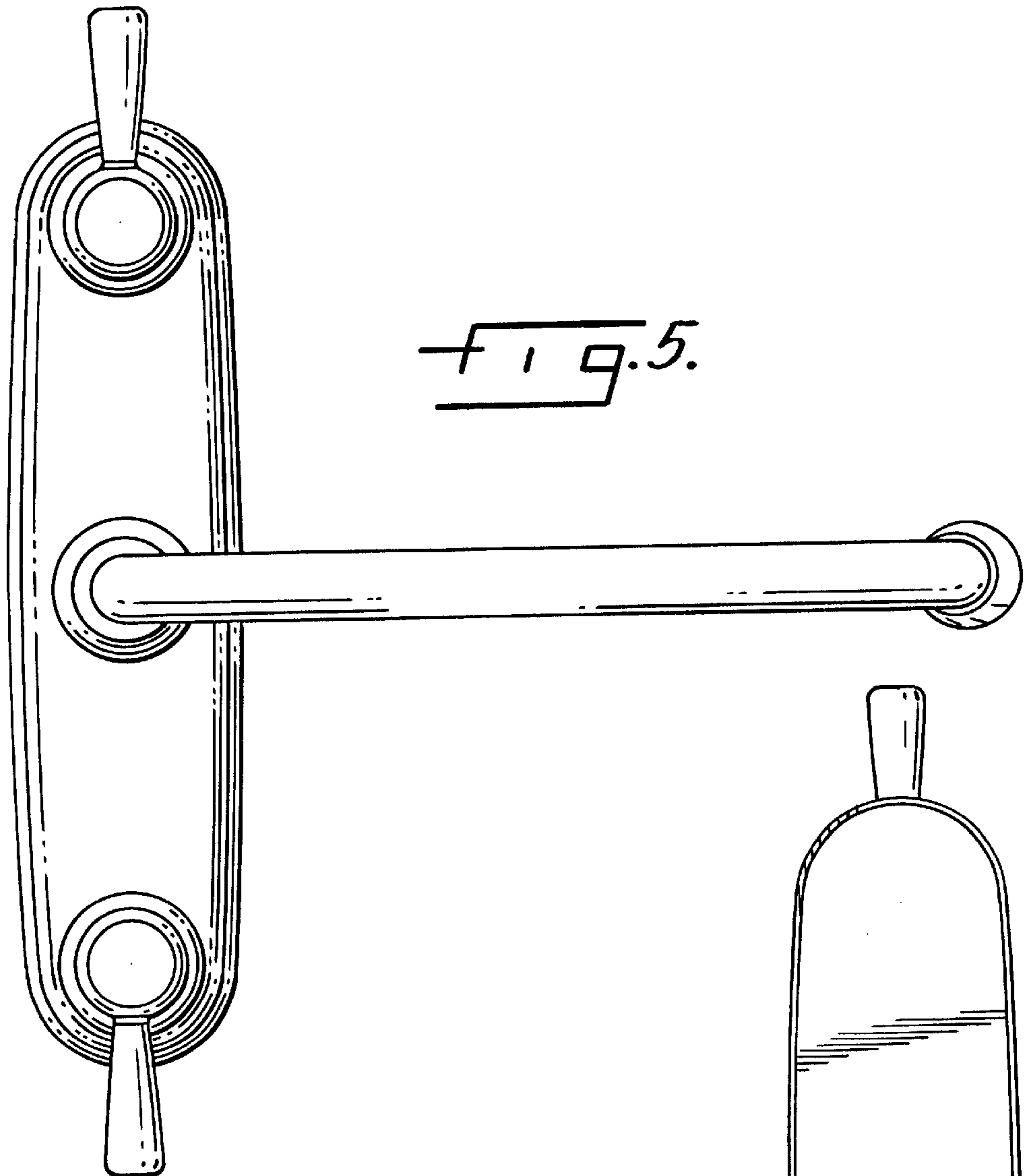


FIG. 5.

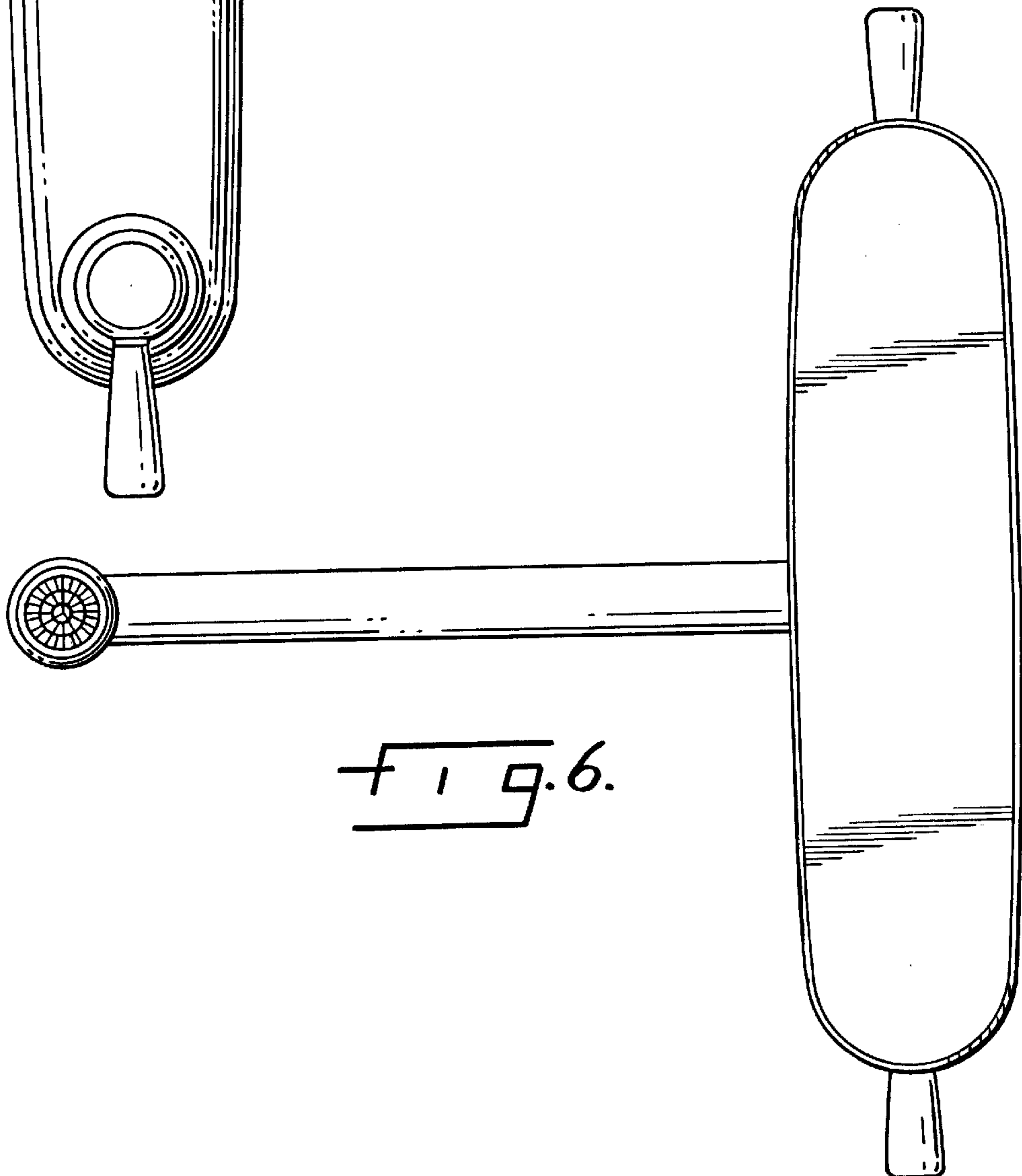


FIG. 6.