



US00D460522S

(12) **United States Design Patent**  
**Flinchbaugh**

(10) **Patent No.:** **US D460,522 S**

(45) **Date of Patent:** **\*\* Jul. 16, 2002**

(54) **LOW PRESSURE FLUID FLOW CONTROL VALVE**

D340,976 S \* 11/1993 Garcia ..... D24/110  
D354,335 S \* 1/1995 Siposs ..... D23/237

(76) Inventor: **David E. Flinchbaugh**, 4855 Big Oaks  
La., Orlando, FL (US) 32806-7826

\* cited by examiner

*Primary Examiner*—Nelson C. Holtje

(\*\*) Term: **14 Years**

(57) **CLAIM**

(21) Appl. No.: **29/141,035**

The ornamental design for a low pressure fluid flow control valve, as shown and described.

(22) Filed: **Apr. 30, 2001**

**DESCRIPTION**

(51) **LOC (7) Cl.** ..... **23-01**

(52) **U.S. Cl.** ..... **D23/233**

(58) **Field of Search** ..... D23/233, 235–237,  
D23/229, 244–249; D24/129; 251/309–310;  
137/819, 527.2, 527.4, 527.8, 549–550,  
854

FIG. 1 is a side, cylindrically symmetric about its long axis, view.

FIG. 2 is a nearly end-on, fluid exit port with slotted vent cover, view.

FIG. 3 is a nearly entrance end-on view with hole where fluid flows in

FIG. 4 is an isometric view from the exit end, showing a hole-perforated, air filter vent cover against the shoulder

FIG. 5 is a isometric drawing which views from the entrance port at the right side of the rendering; and,

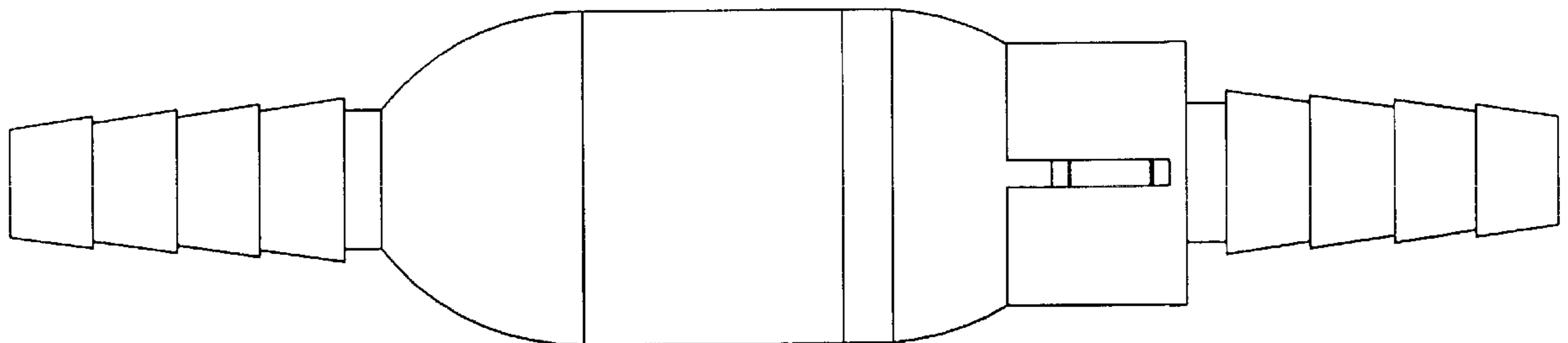
FIG. 6 is a perspective view thereof, the broken line showings of a catheter and tubing are environmental only and form no part of the claimed design.

(56) **References Cited**

**U.S. PATENT DOCUMENTS**

D212,218 S \* 9/1968 Norton ..... D24/129  
D217,246 S \* 4/1970 Armand ..... D23/235  
3,830,241 A \* 8/1974 Dye et al. .... 604/129  
3,906,958 A \* 9/1975 Knox ..... 604/129  
D237,631 S \* 11/1975 Katzman ..... D23/233 X  
D305,355 S \* 1/1990 Bricker ..... D23/247  
D320,257 S \* 9/1991 Austin, Jr. et al. .... D23/233

**1 Claim, 6 Drawing Sheets**



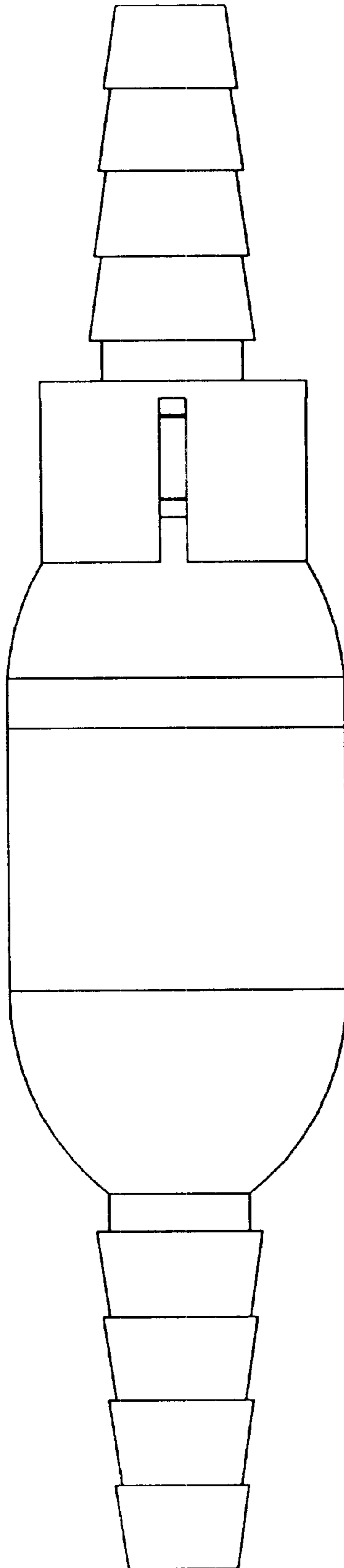


Fig. 1

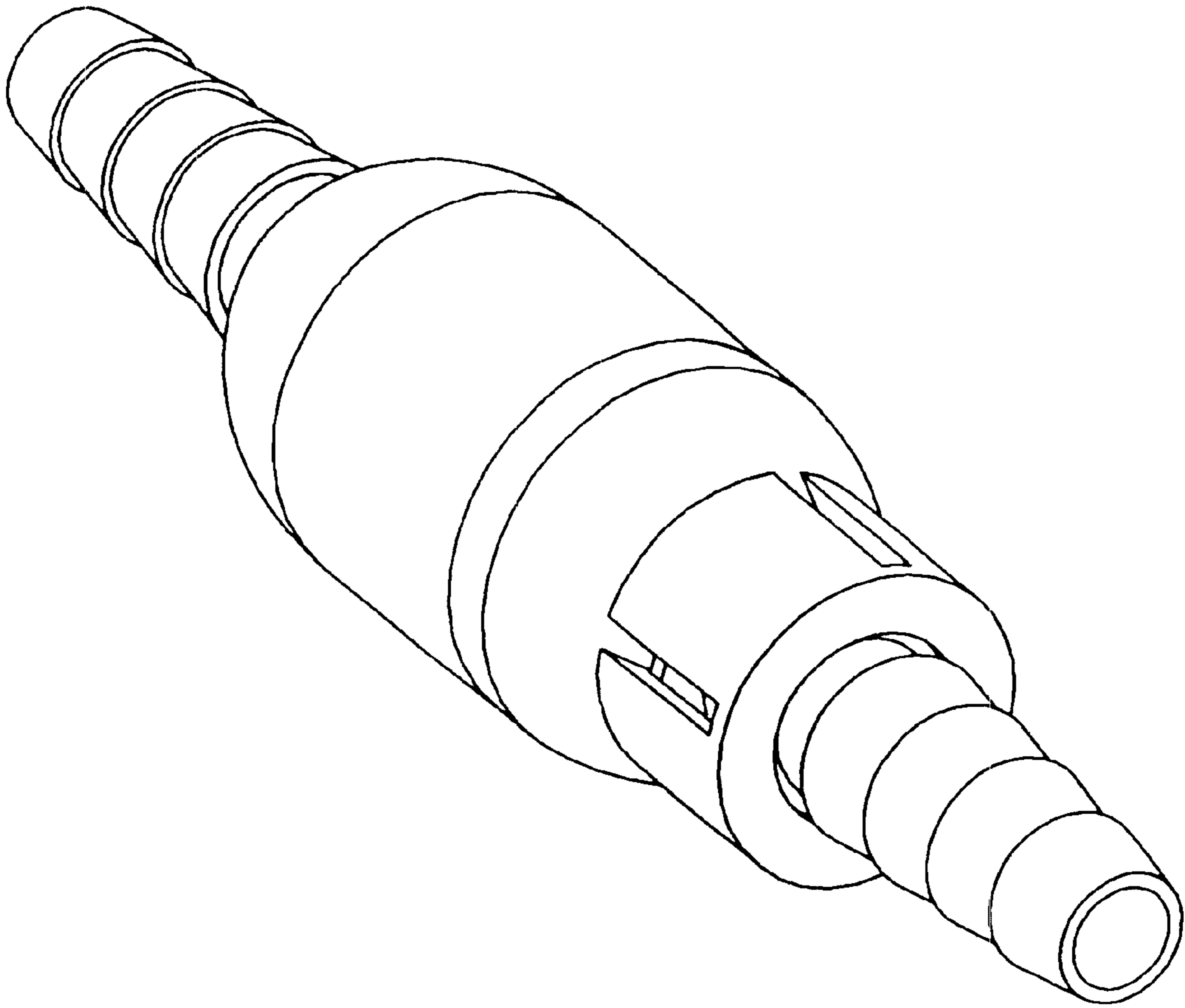


Fig. 2

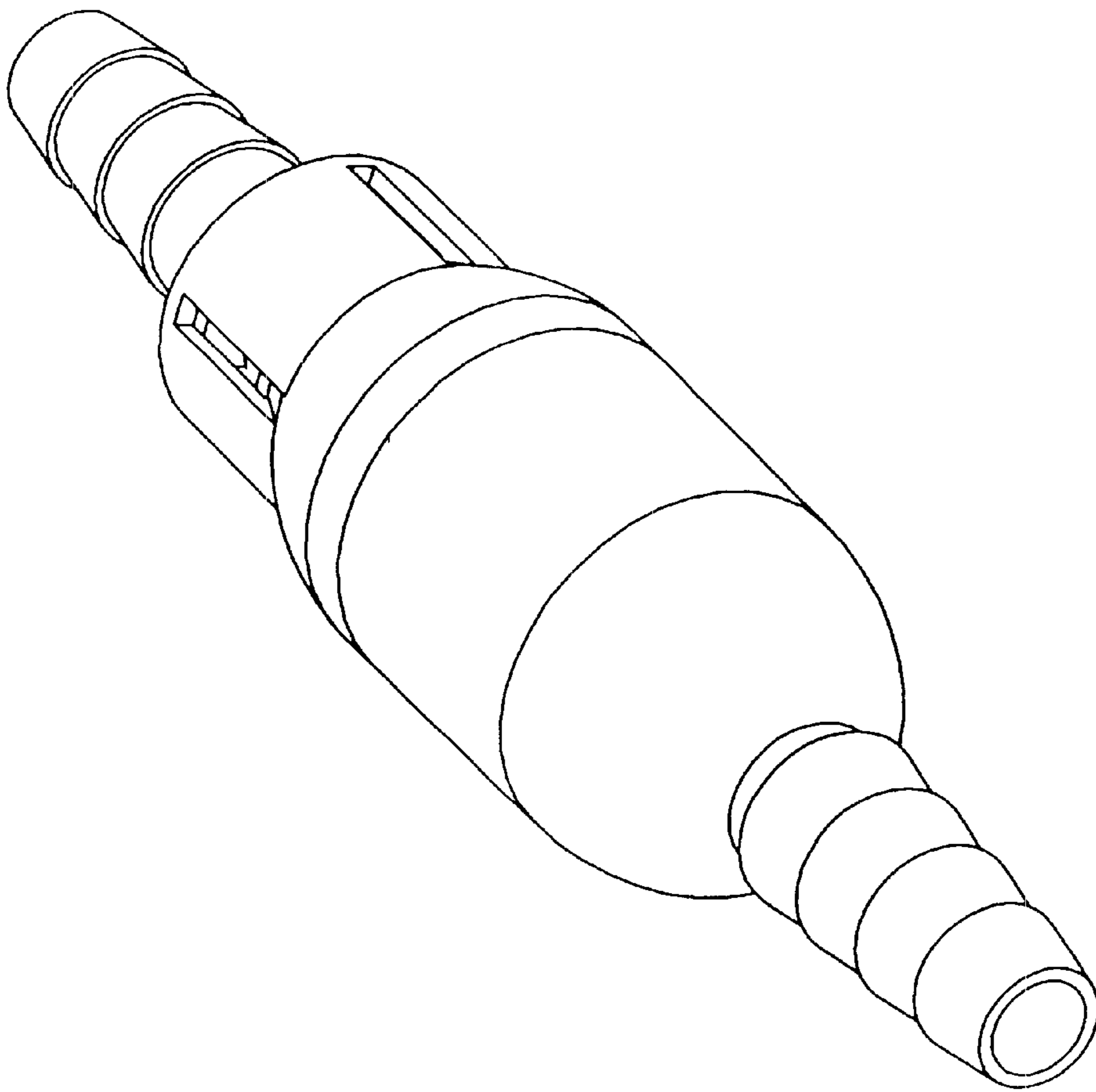


Fig. 3

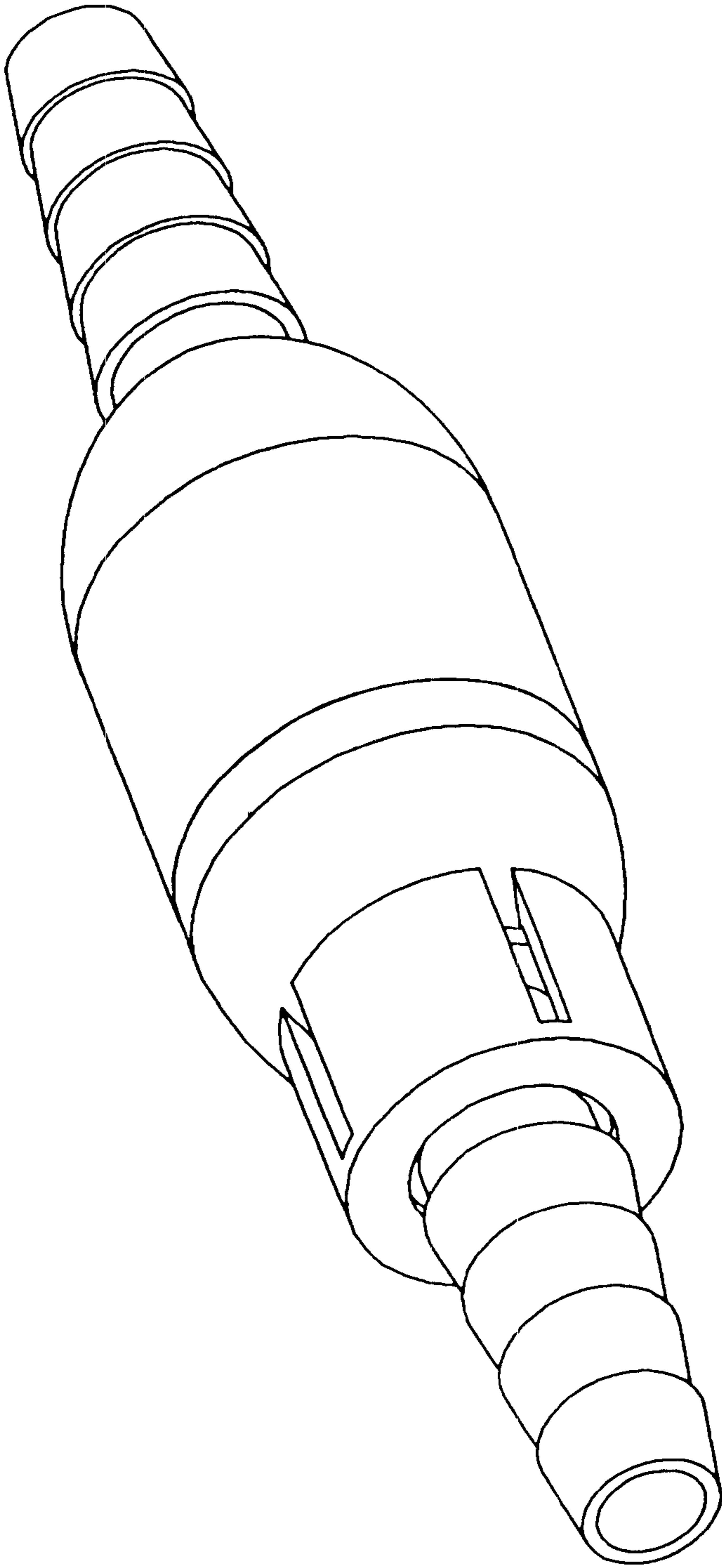


Fig. 4

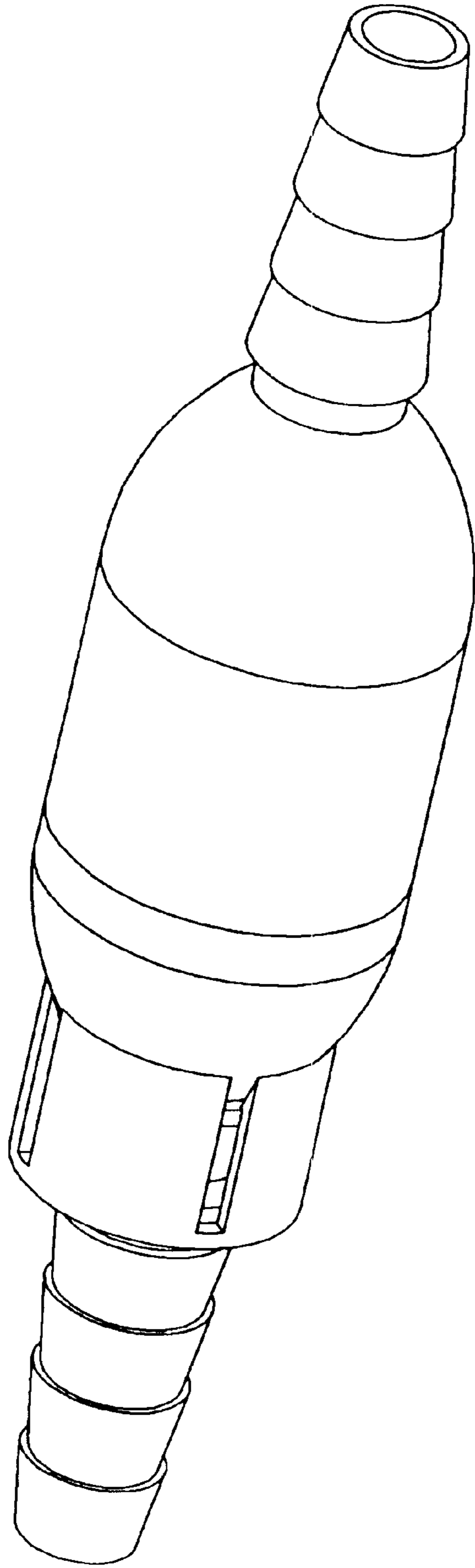


Fig. 5

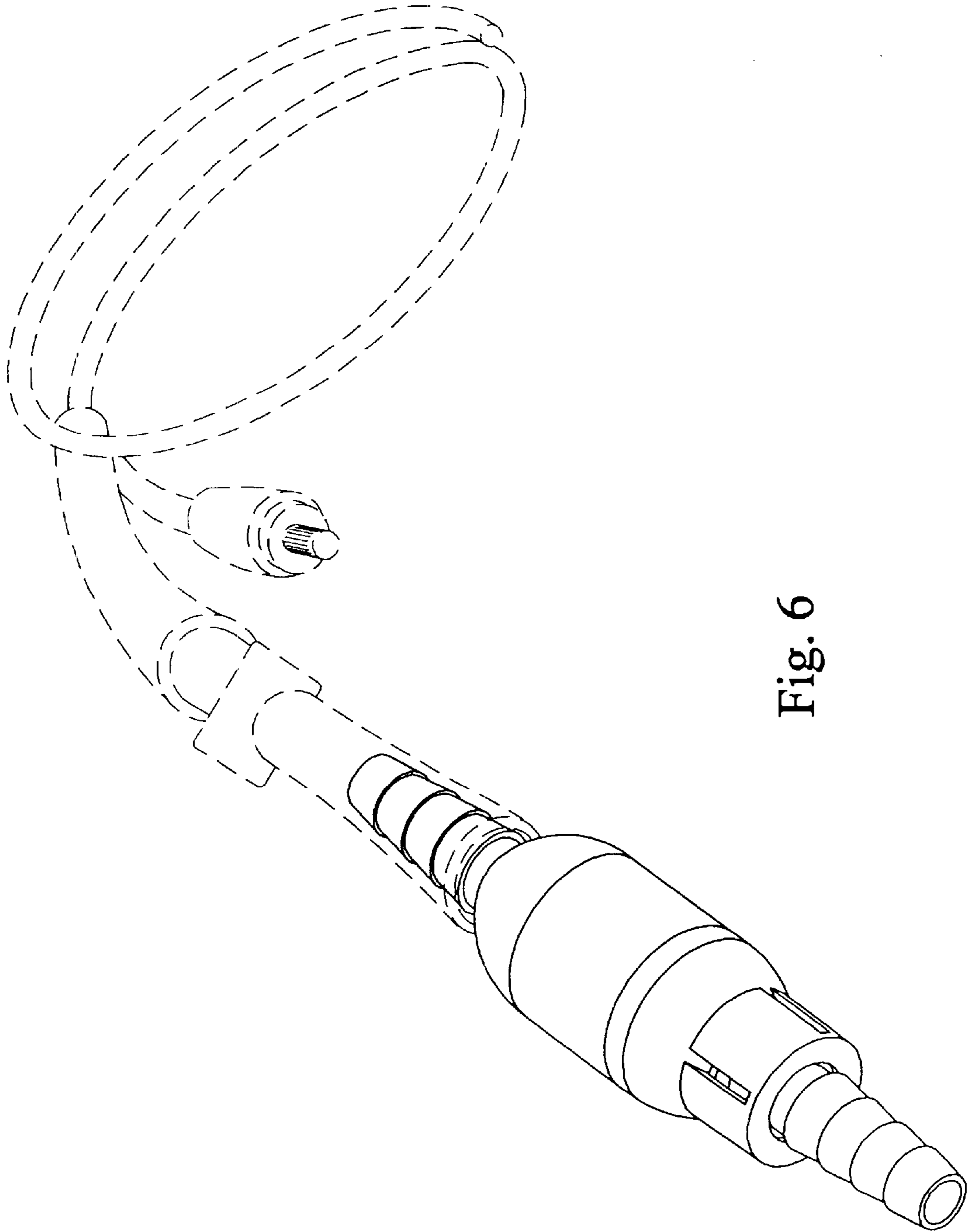


Fig. 6