



US00D460520S

(12) **United States Design Patent**  
**Huang**

(10) **Patent No.:** **US D460,520 S**

(45) **Date of Patent:** **\*\* Jul. 16, 2002**

(54) **WATER SPRAY GUN**

D452,297 S \* 12/2001 Chao ..... D23/226

(76) Inventor: **Huang-Fu Huang**, No.22, Lane 1,  
Changnan Rd., Sec. 3, Fengyuan  
Hsiang, Changhua County (TW)

\* cited by examiner

*Primary Examiner*—Robin V. Taylor

(74) *Attorney, Agent, or Firm*—Rosenberg, Klein & Lee

(\*\*) Term: **14 Years**

(57) **CLAIM**

(21) Appl. No.: **29/143,685**

The ornamental design for a water spray gun, as shown and described.

(22) Filed: **Jun. 19, 2001**

(51) **LOC (7) Cl.** ..... **23-01**

(52) **U.S. Cl.** ..... **D23/226**

(58) **Field of Search** ..... D23/213, 223,  
D23/226; 239/525, 526

**DESCRIPTION**

FIG. 1 is a perspective view of a water spray gun showing my new design;

FIG. 2 is a top plain view thereof;

FIG. 3 is a bottom plain view thereof;

FIG. 4 is a front elevational view thereof;

FIG. 5 is a rear elevational view thereof;

FIG. 6 is a left side elevational view thereof; and,

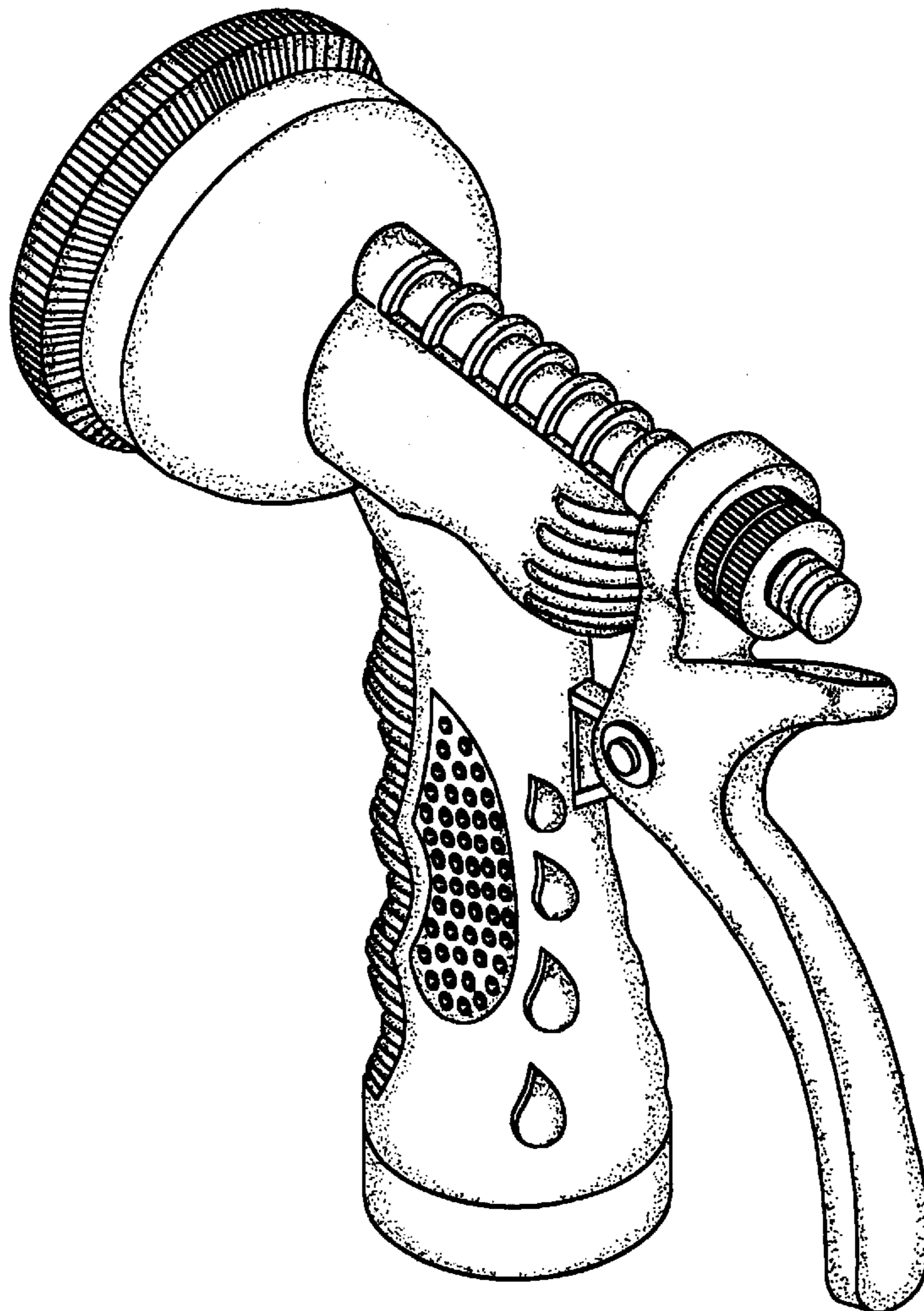
FIG. 7 is a right side elevational view thereof.

(56) **References Cited**

**U.S. PATENT DOCUMENTS**

D369,853 S	*	5/1996	Wang	.....	D23/223
D415,557 S	*	10/1999	Kuo	.....	D23/226
D431,070 S	*	9/2000	Hsieh	.....	D23/226
D446,283 S	*	8/2001	Wang	.....	D23/226

**1 Claim, 5 Drawing Sheets**



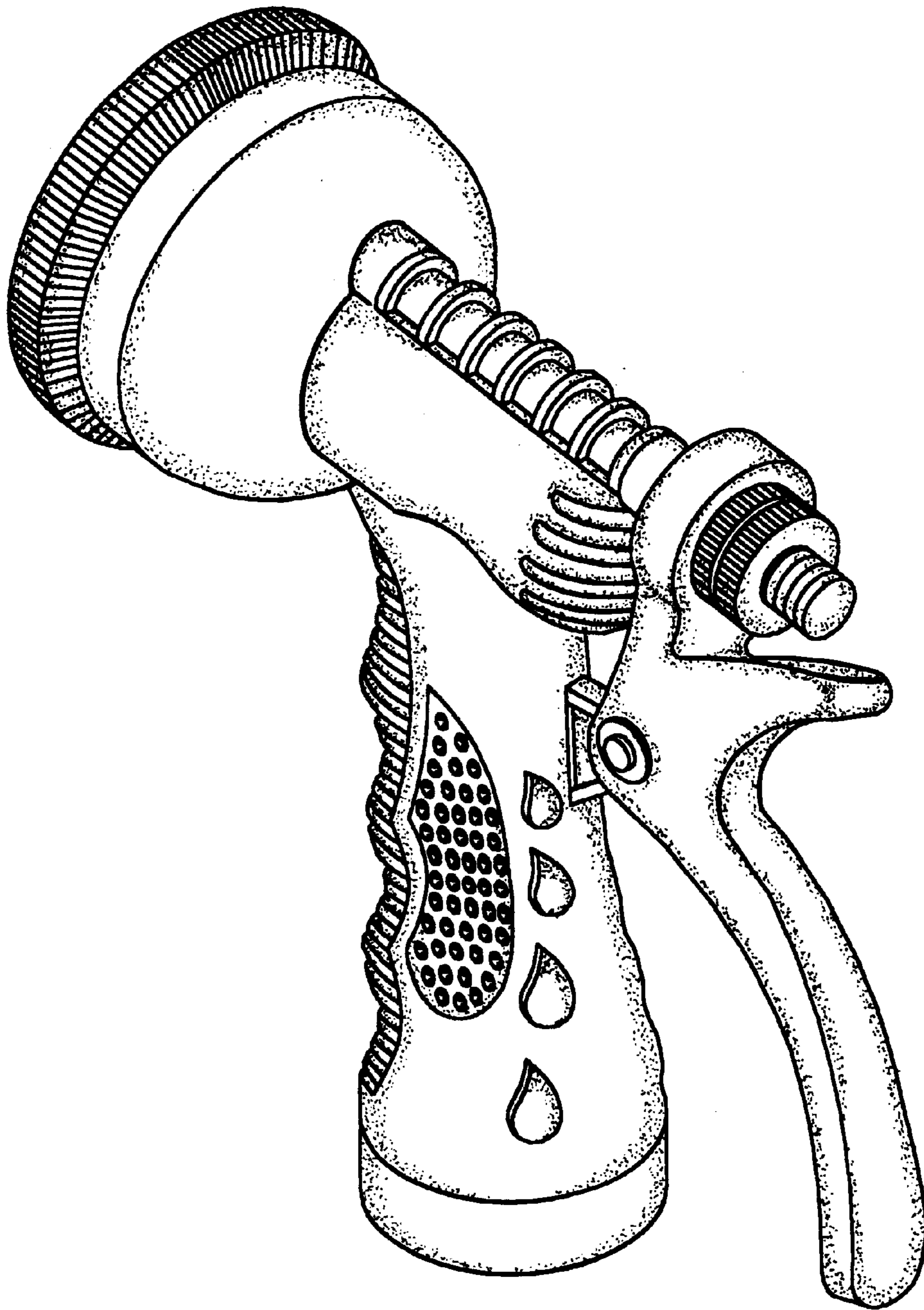


FIG. 1

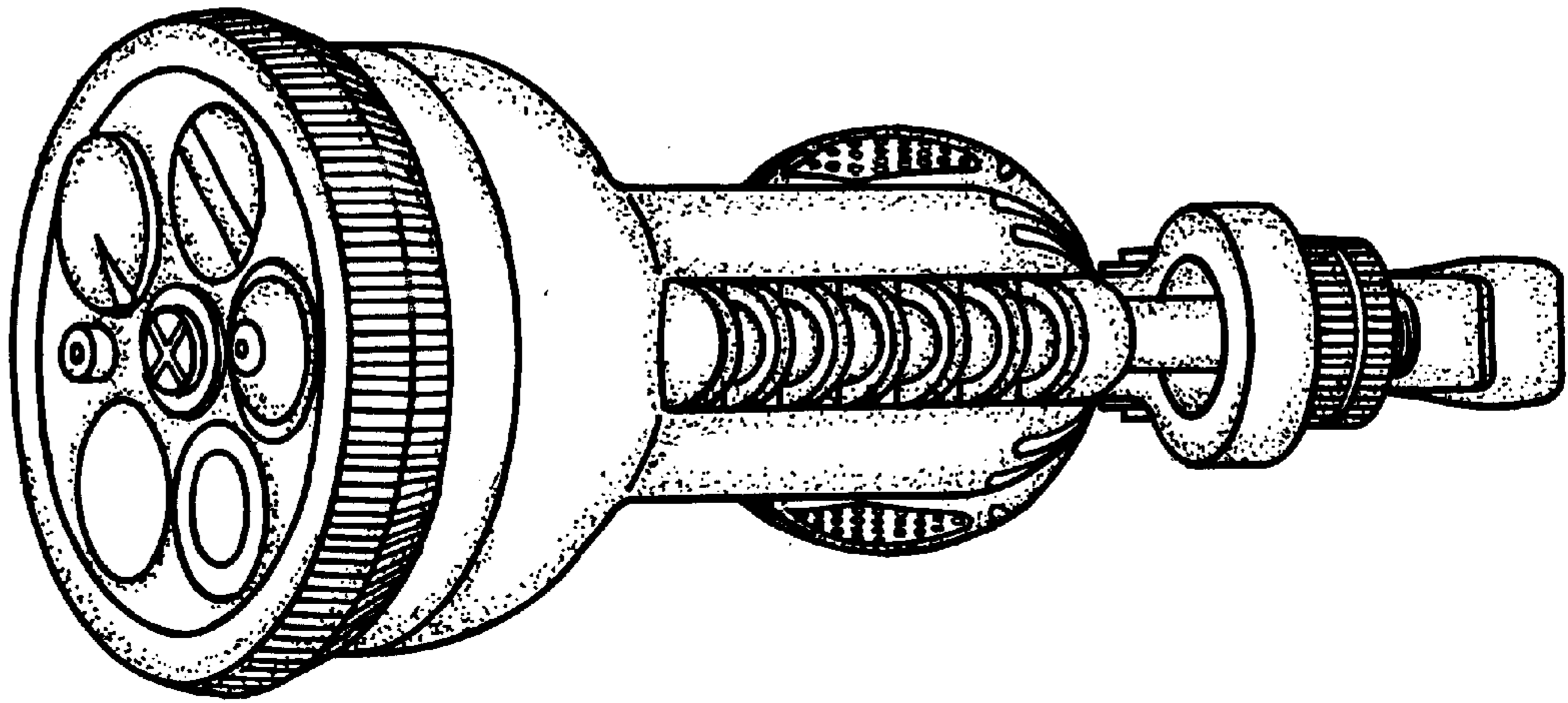


FIG. 2

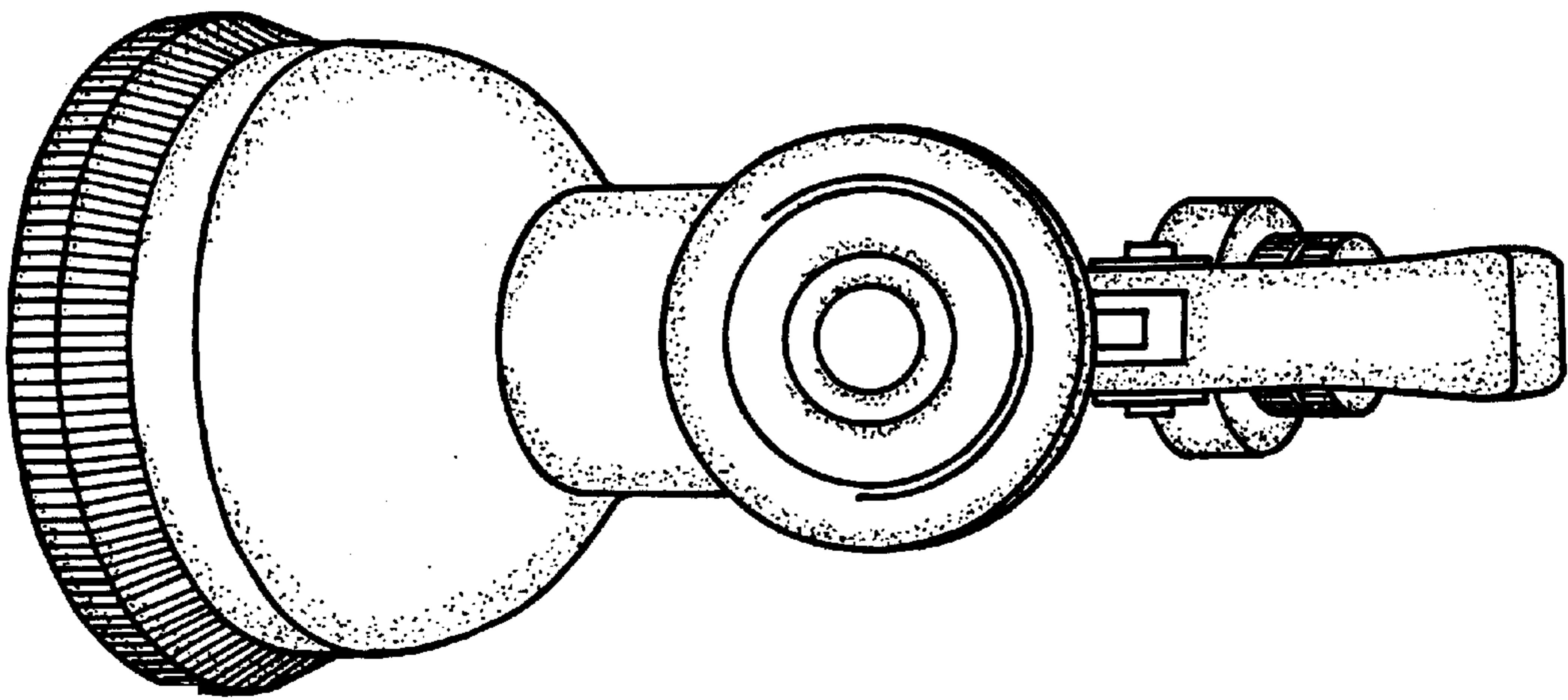


FIG. 3

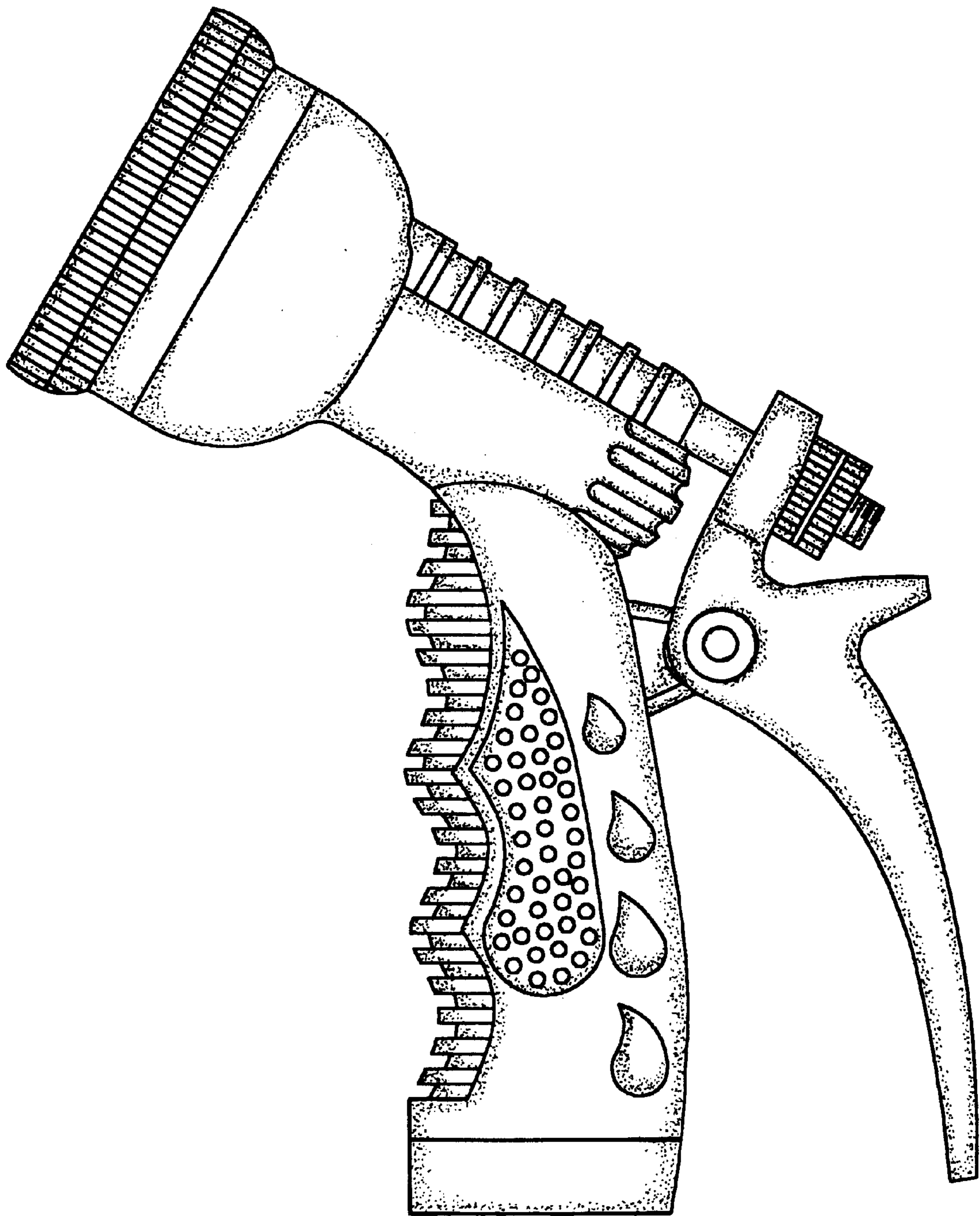


FIG. 4

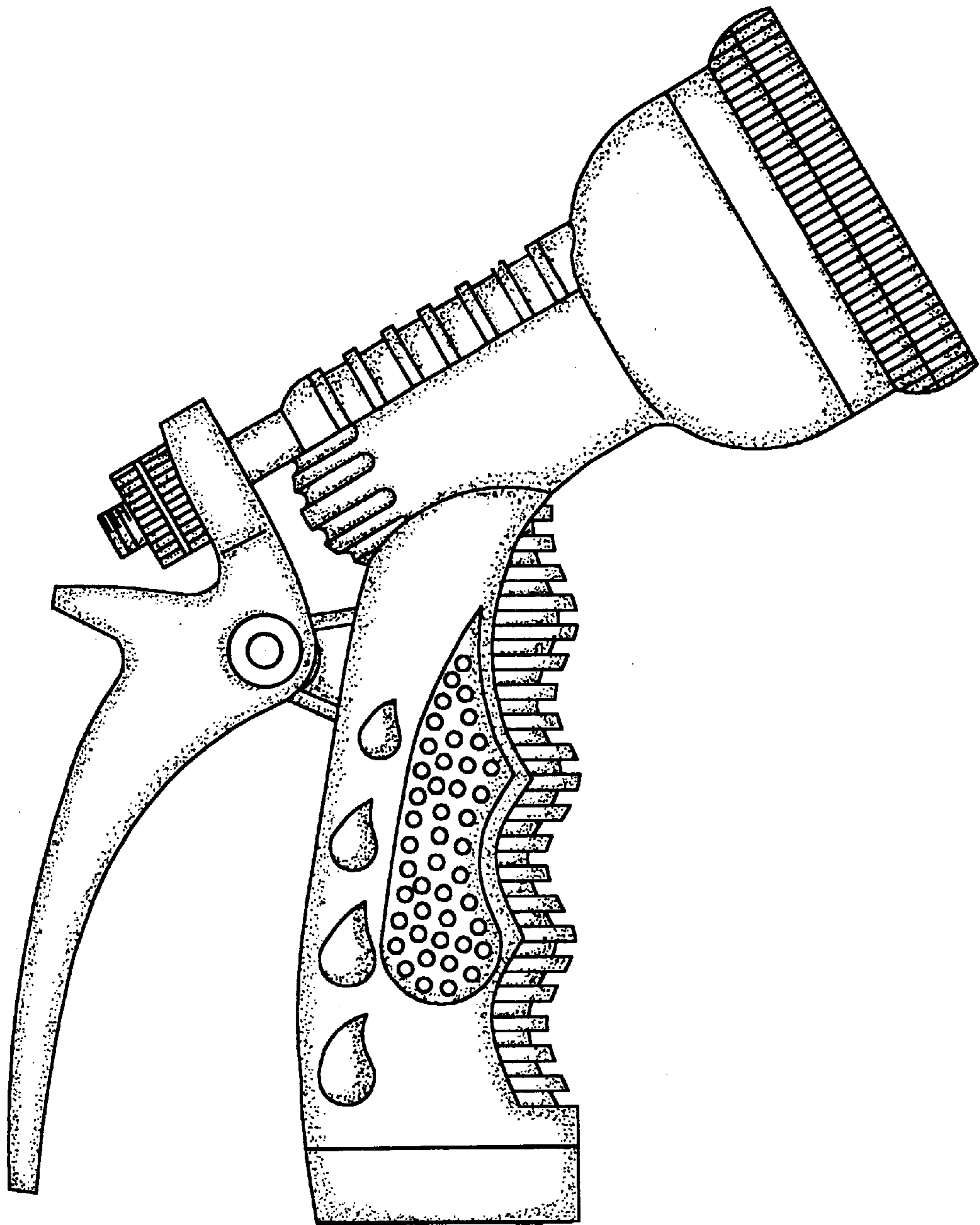


FIG. 5

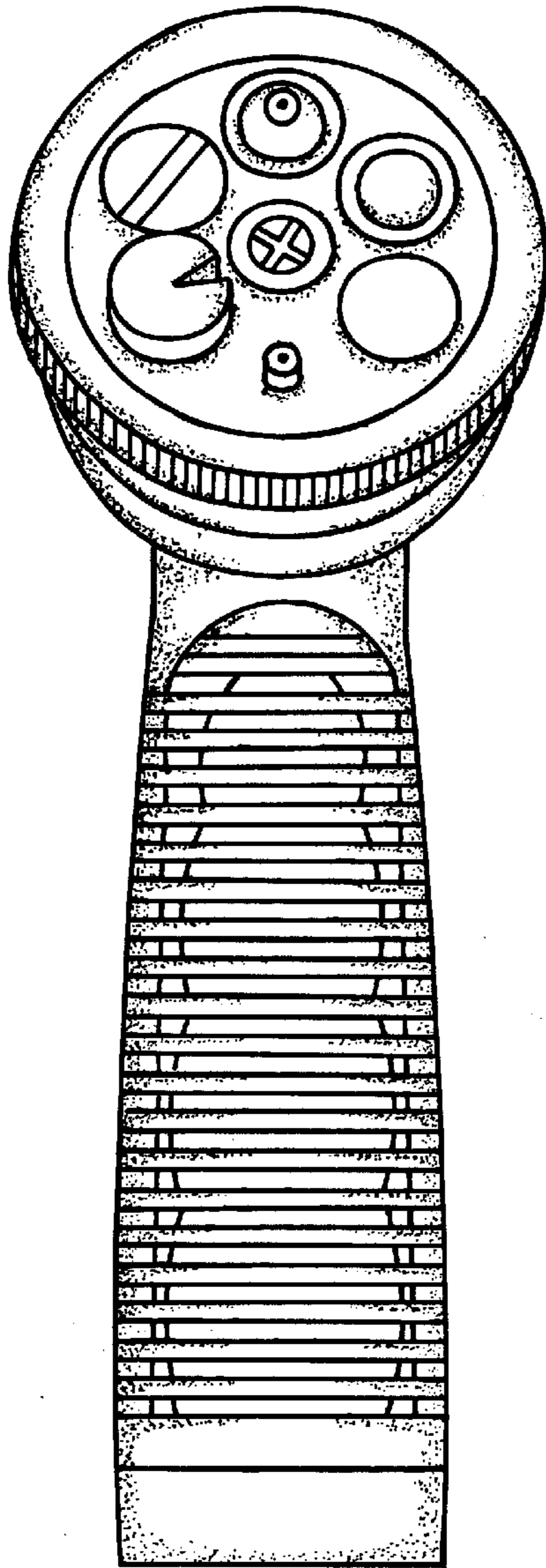


FIG. 6

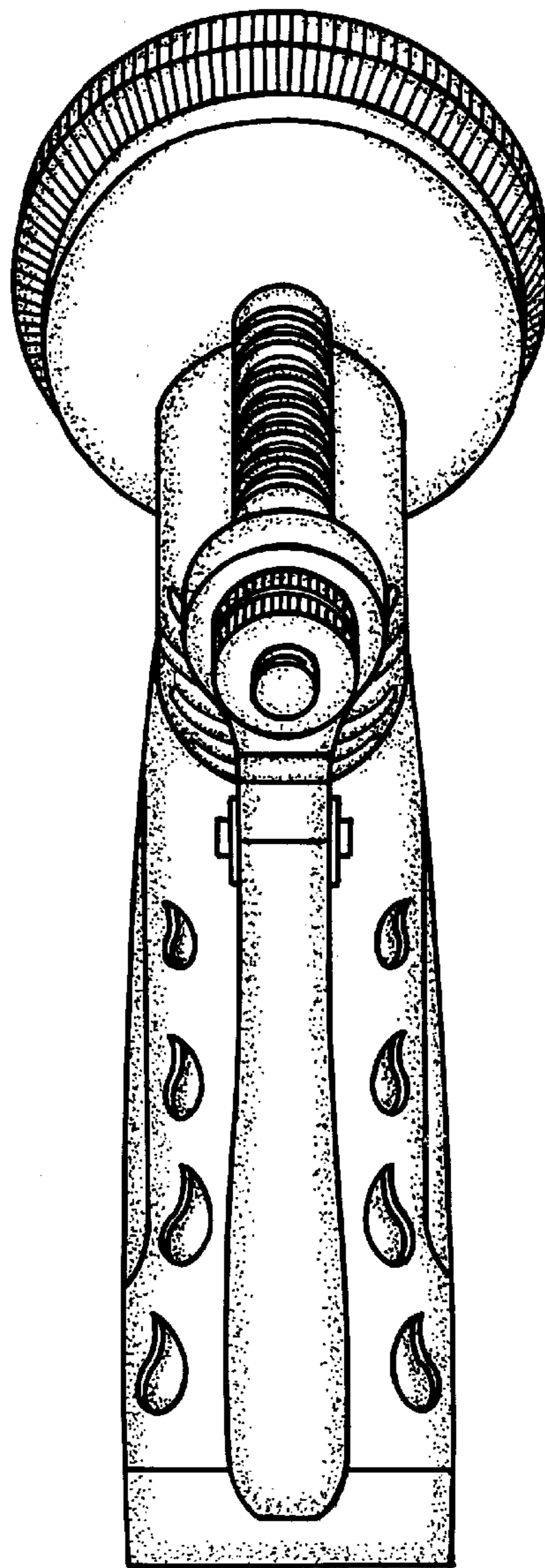


FIG. 7