



US00D460516S

(12) **United States Design Patent**
Yoshikawa et al.

(10) **Patent No.:** **US D460,516 S**

(45) **Date of Patent:** **** Jul. 16, 2002**

(54) **FISHING REEL BODY**

JP 107 7 771 7/2000

(75) Inventors: **Toshiaki Yoshikawa; Takashi Kondoh**, both of Musashino; **Muneaki Tsukihiji; Manabu Tajika**, both of Higashikurume, all of (JP)

* cited by examiner

Primary Examiner—Catherine R. Oliver
(74) *Attorney, Agent, or Firm*—Sughrue Mion, PLLC

(73) Assignee: **Daiwa Seiko, Inc.**, Tokyo (JP)

(57) **CLAIM**

(**) Term: **14 Years**

The ornamental design for a fishing reel body, as shown.

(21) Appl. No.: **29/139,093**

(22) Filed: **Mar. 26, 2001**

(51) **LOC (7) Cl.** **22-05**

(52) **U.S. Cl.** **D22/141**

(58) **Field of Search** D22/137, 138,
D22/139, 140, 141; 242/370, 234–240,
311, 322

DESCRIPTION

FIG. 1 is a perspective view of the top, front and right side of a fishing reel body showing our new design; FIG. 2 is a front elevational view thereof; FIG. 3 is a rear elevational view thereof; FIG. 4 is a left side elevational view thereof; FIG. 5 is a right side elevational view thereof; FIG. 6 is a top plan view thereof; FIG. 7 is a bottom plan view thereof; FIG. 8 is a perspective view of the top, front and right side of a second embodiment of a fishing reel body showing our new design; FIG. 9 is a front elevational view thereof; FIG. 10 is a rear elevational view thereof; FIG. 11 is a left side elevational view thereof; FIG. 12 is a right side elevational view thereof; FIG. 13 is a top plan view thereof; and, FIG. 14 is a bottom plan view thereof.

The broken line showing of the remaining parts of a fishing reel in FIGS. 1–14 is for illustrative purposes only and forms no part of the claimed design.

(56) **References Cited**

U.S. PATENT DOCUMENTS

| | | | | | |
|------------|---|---------|------------------|-------|---------|
| D324,092 S | * | 2/1992 | Baugh et al. | | D22/141 |
| D331,958 S | * | 12/1992 | Robbins | | D22/141 |
| D388,860 S | * | 1/1998 | Iwabuchi | | D22/141 |
| D400,960 S | | 11/1998 | Yoshikawa et al. | | D22/141 |
| D403,395 S | | 12/1998 | Yoshikawa et al. | | D22/141 |
| D433,728 S | * | 11/2000 | Tao | | D22/141 |

FOREIGN PATENT DOCUMENTS

| | | | | |
|----|--|-----------|--|---------|
| JP | | 985 462 | | 7/1997 |
| JP | | 105 2 417 | | 10/1999 |

1 Claim, 8 Drawing Sheets

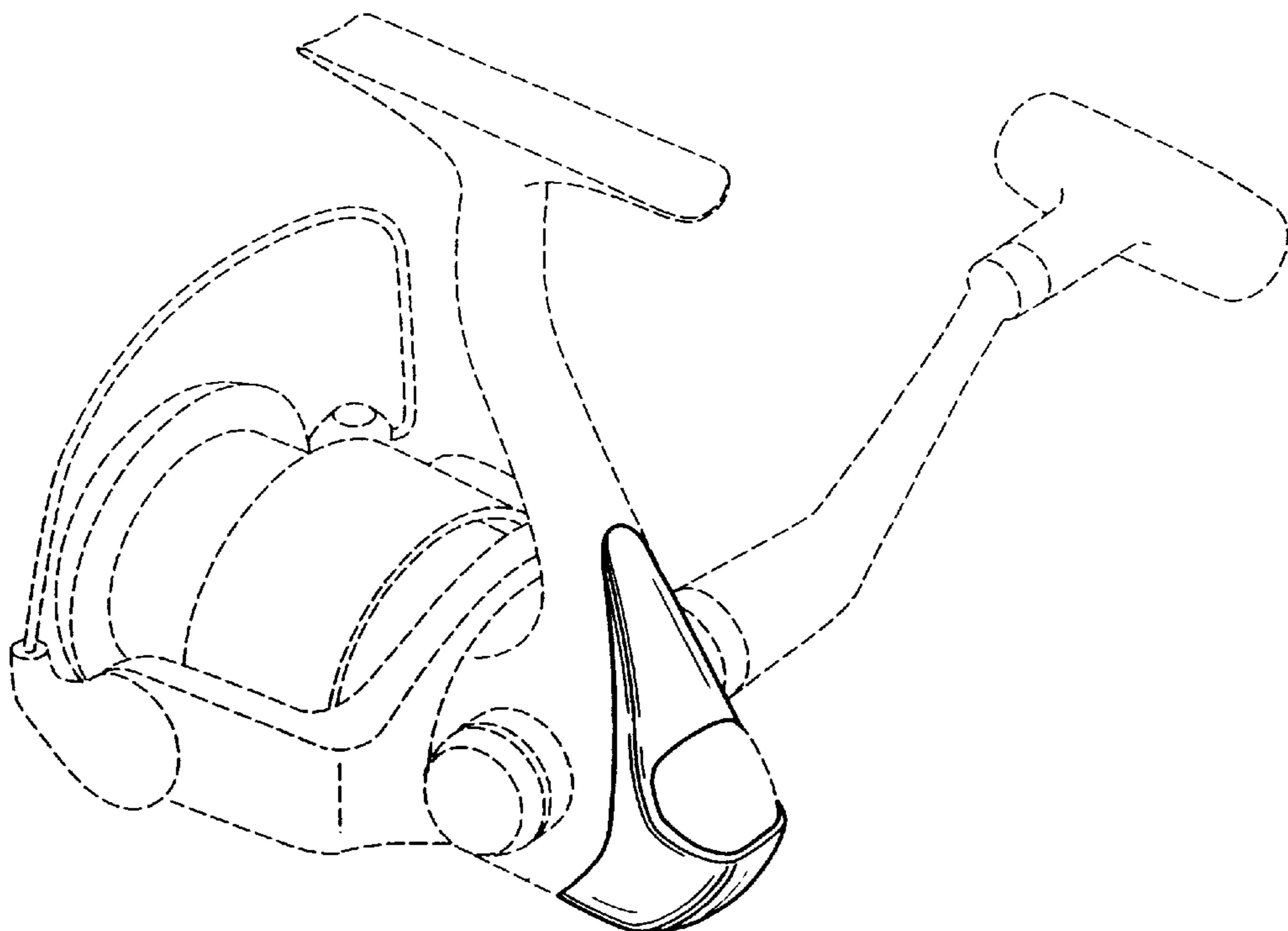


FIG. 1

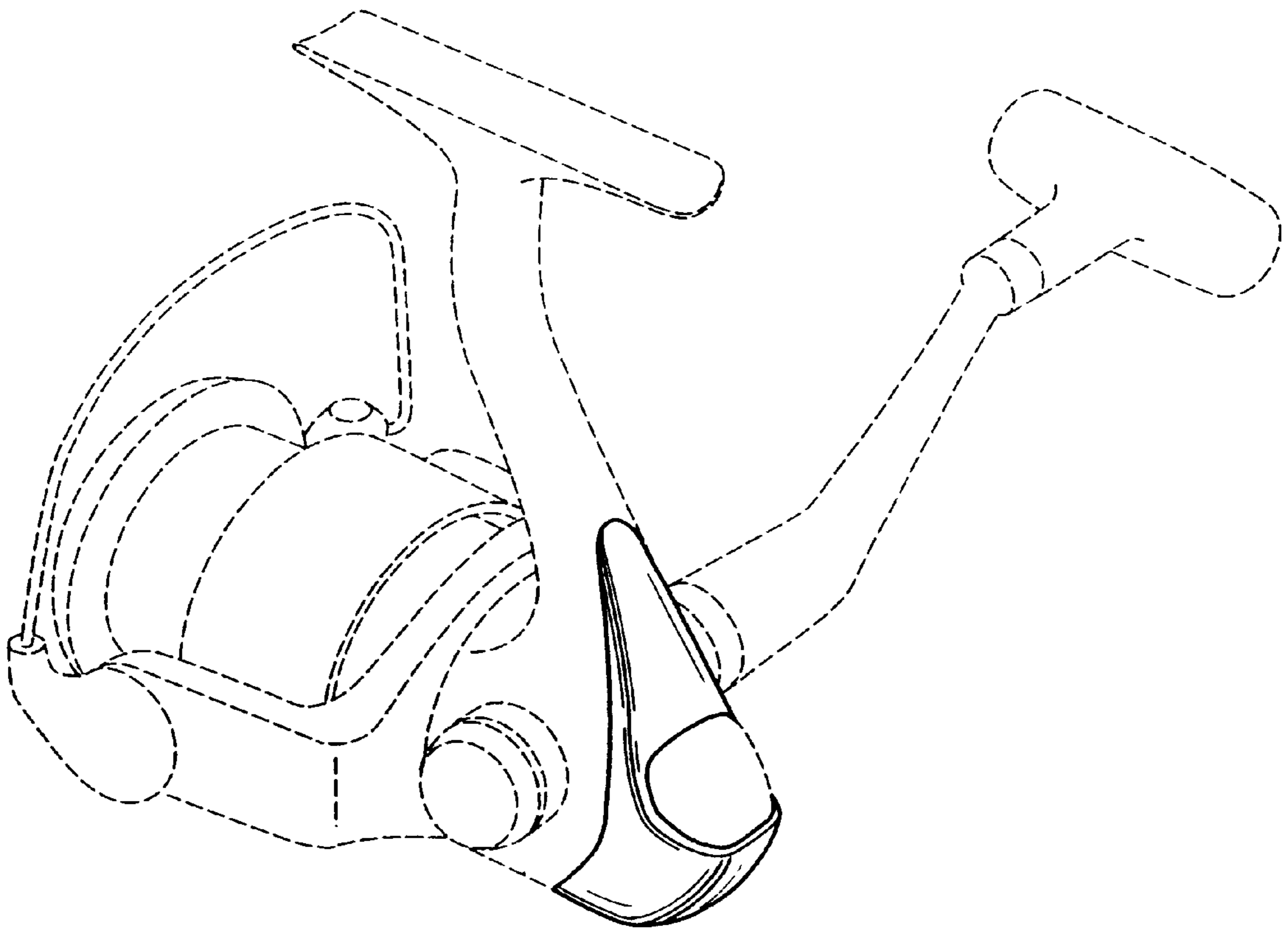


FIG. 2

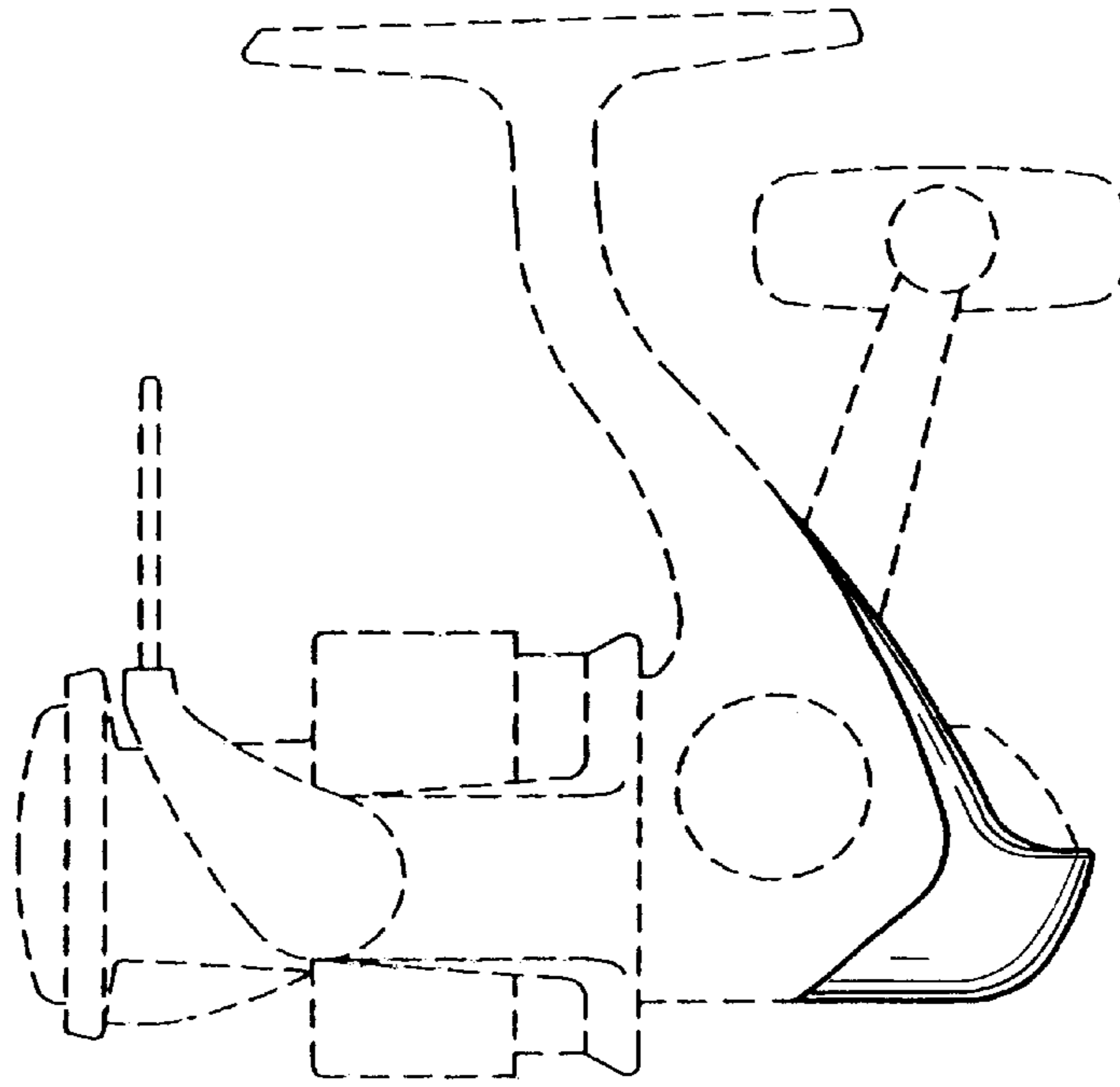


FIG. 3

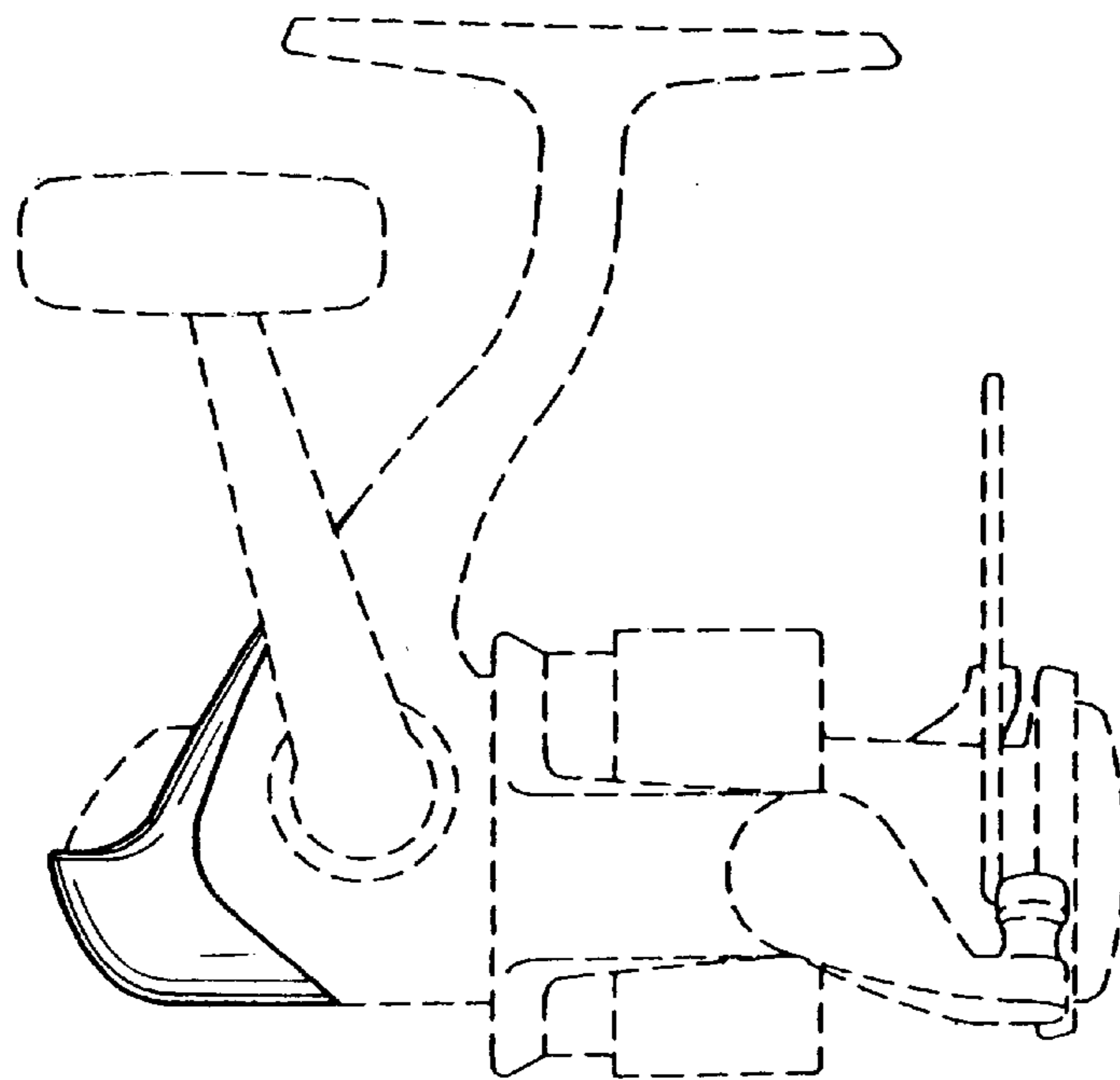


FIG. 4

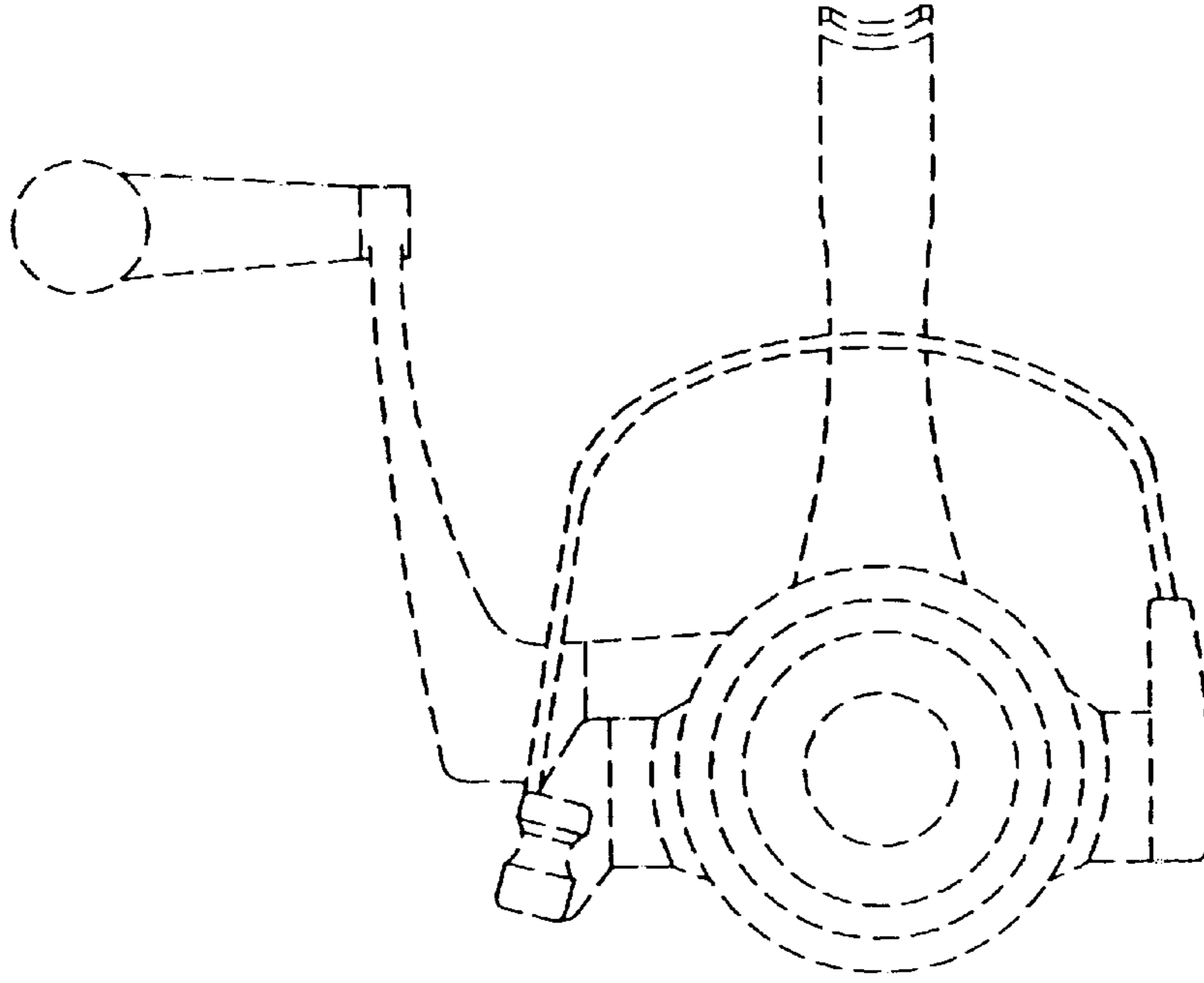


FIG. 5

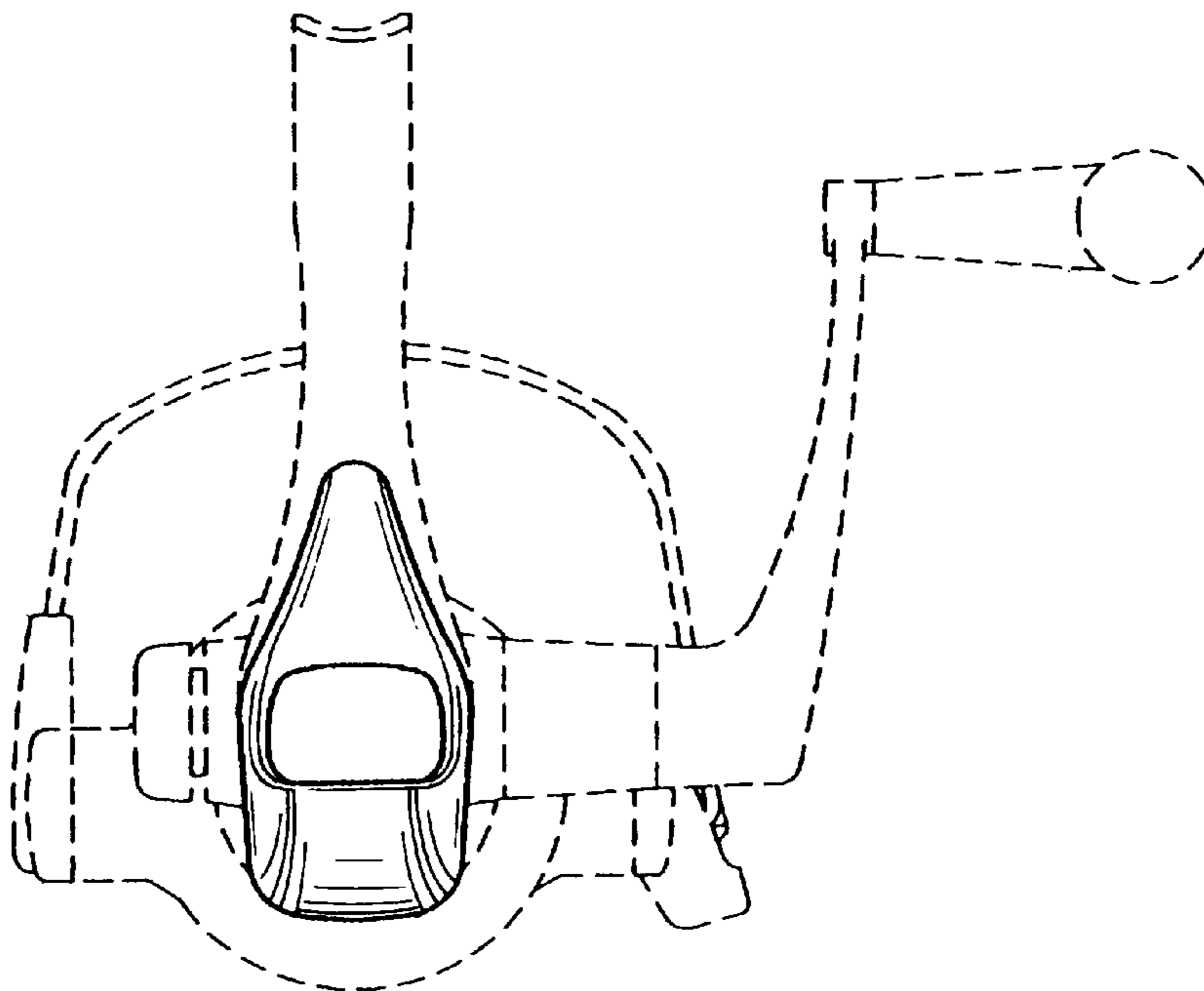


FIG. 6

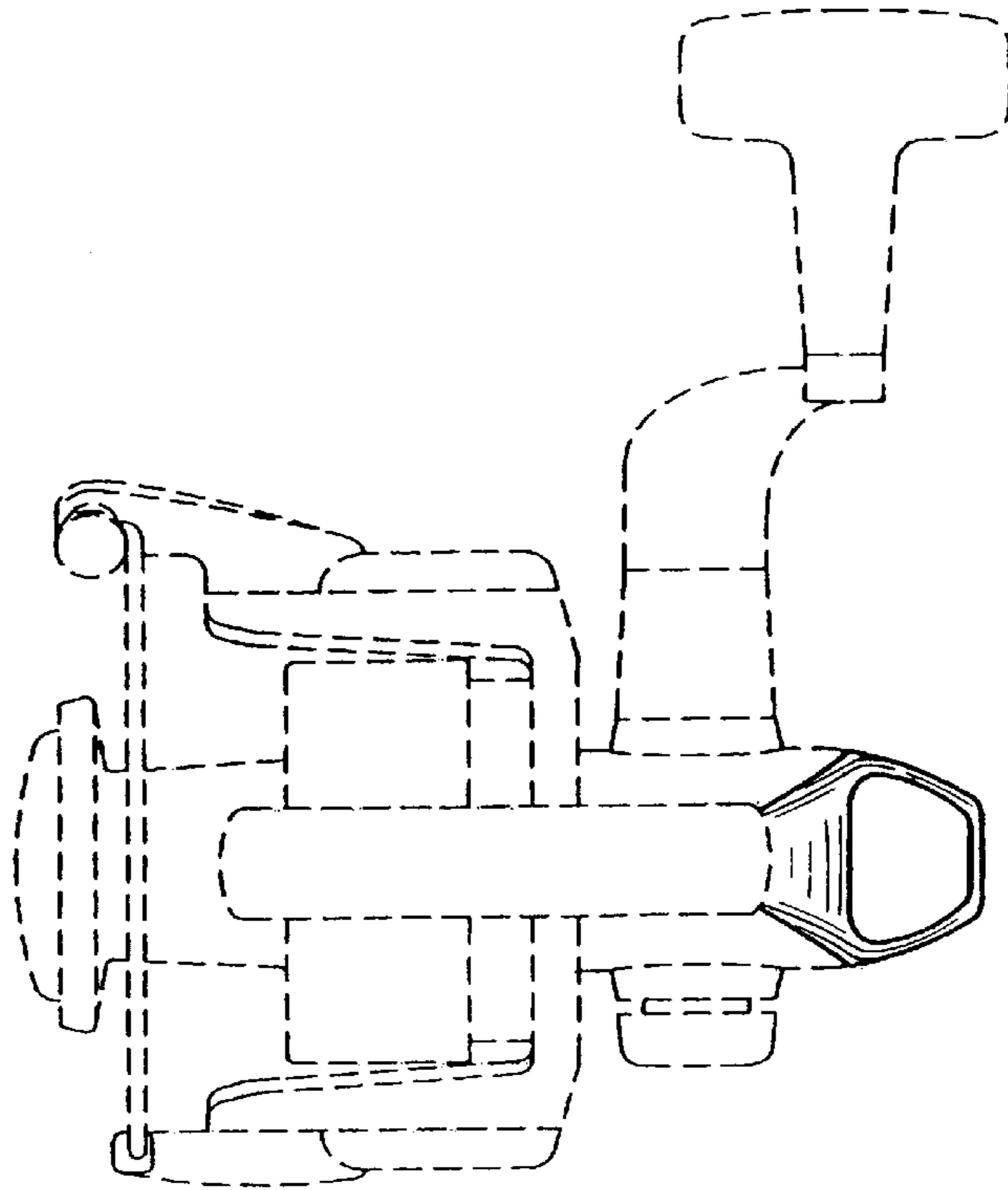


FIG. 7

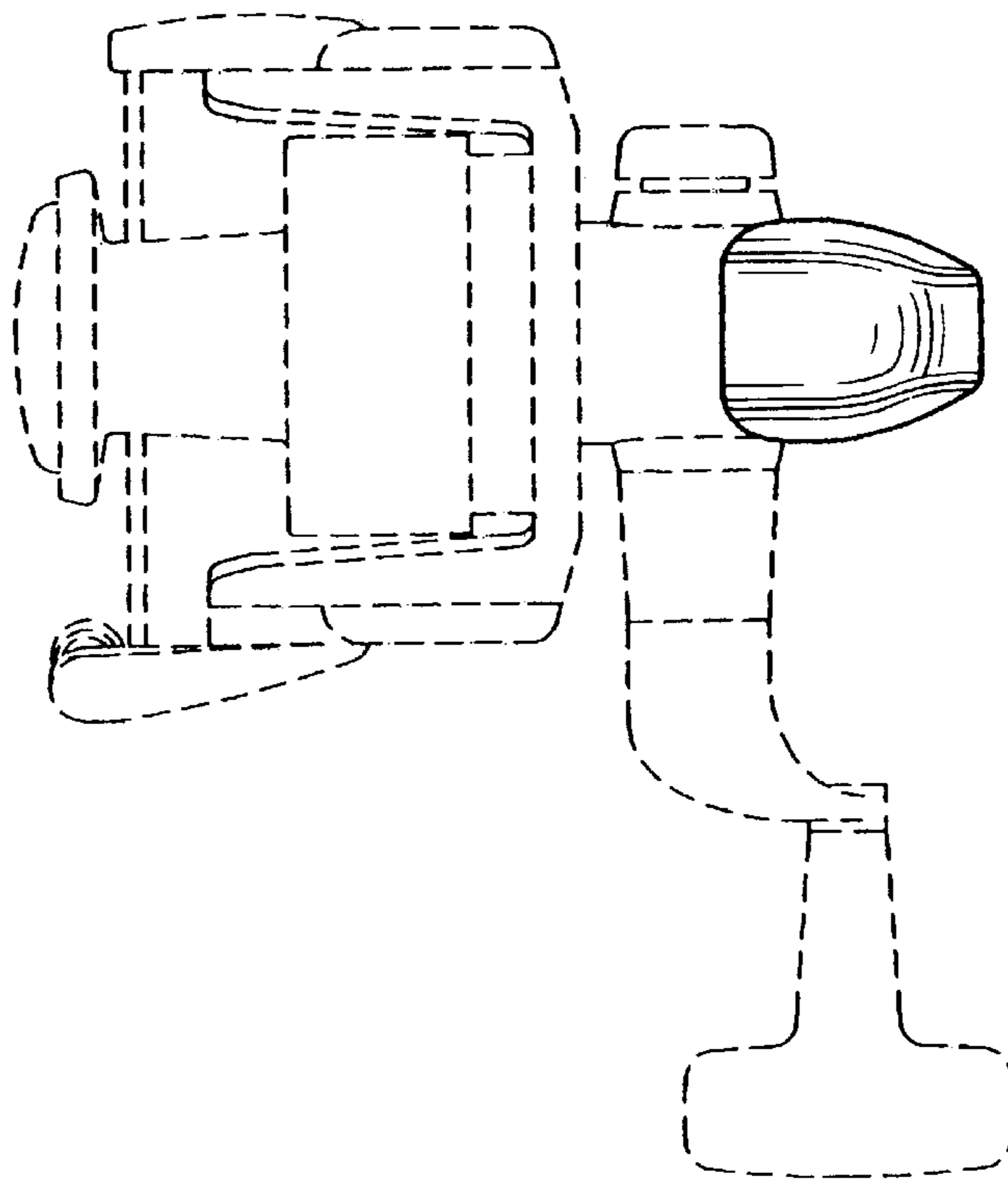


FIG. 8

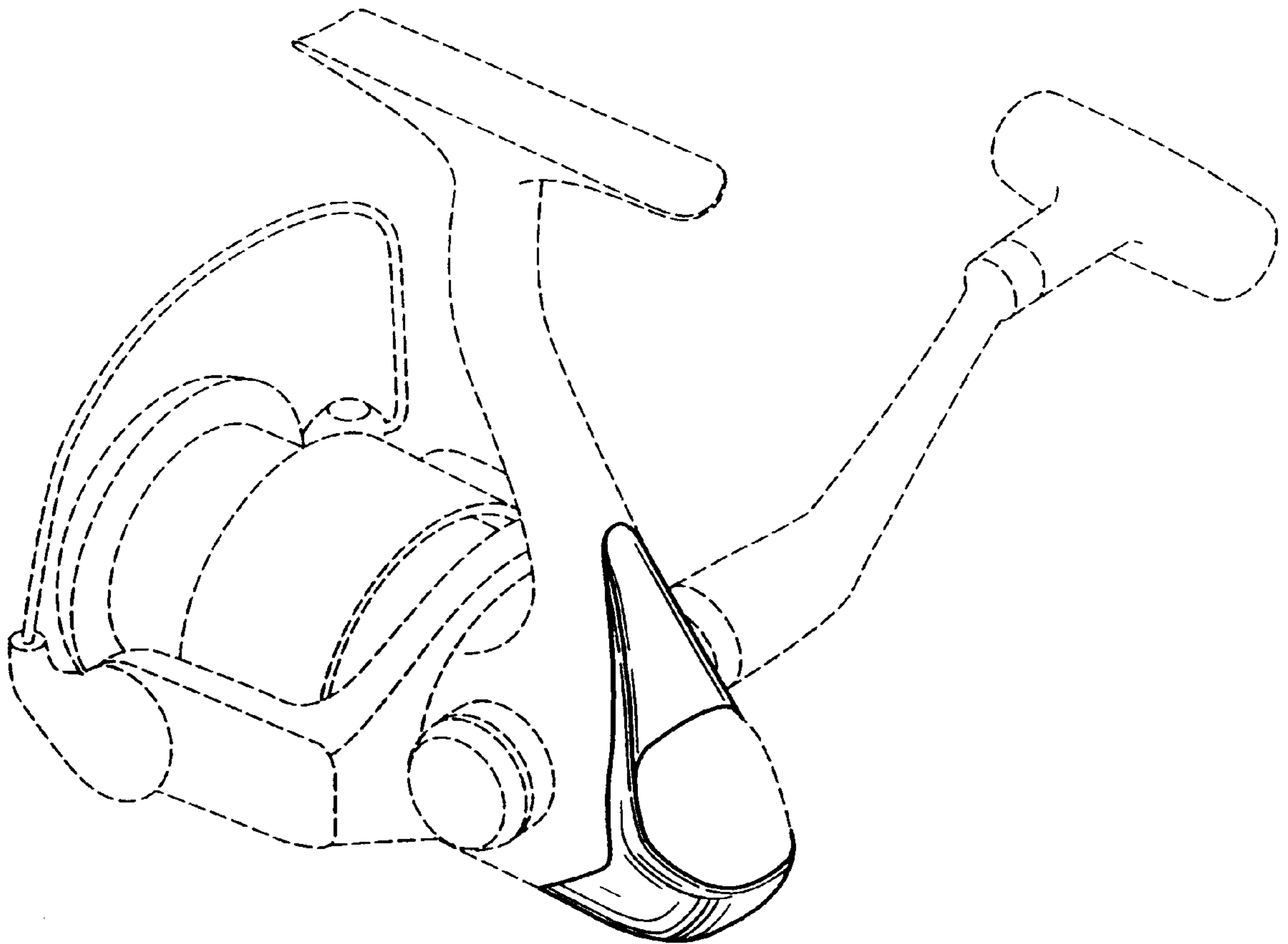


FIG. 9

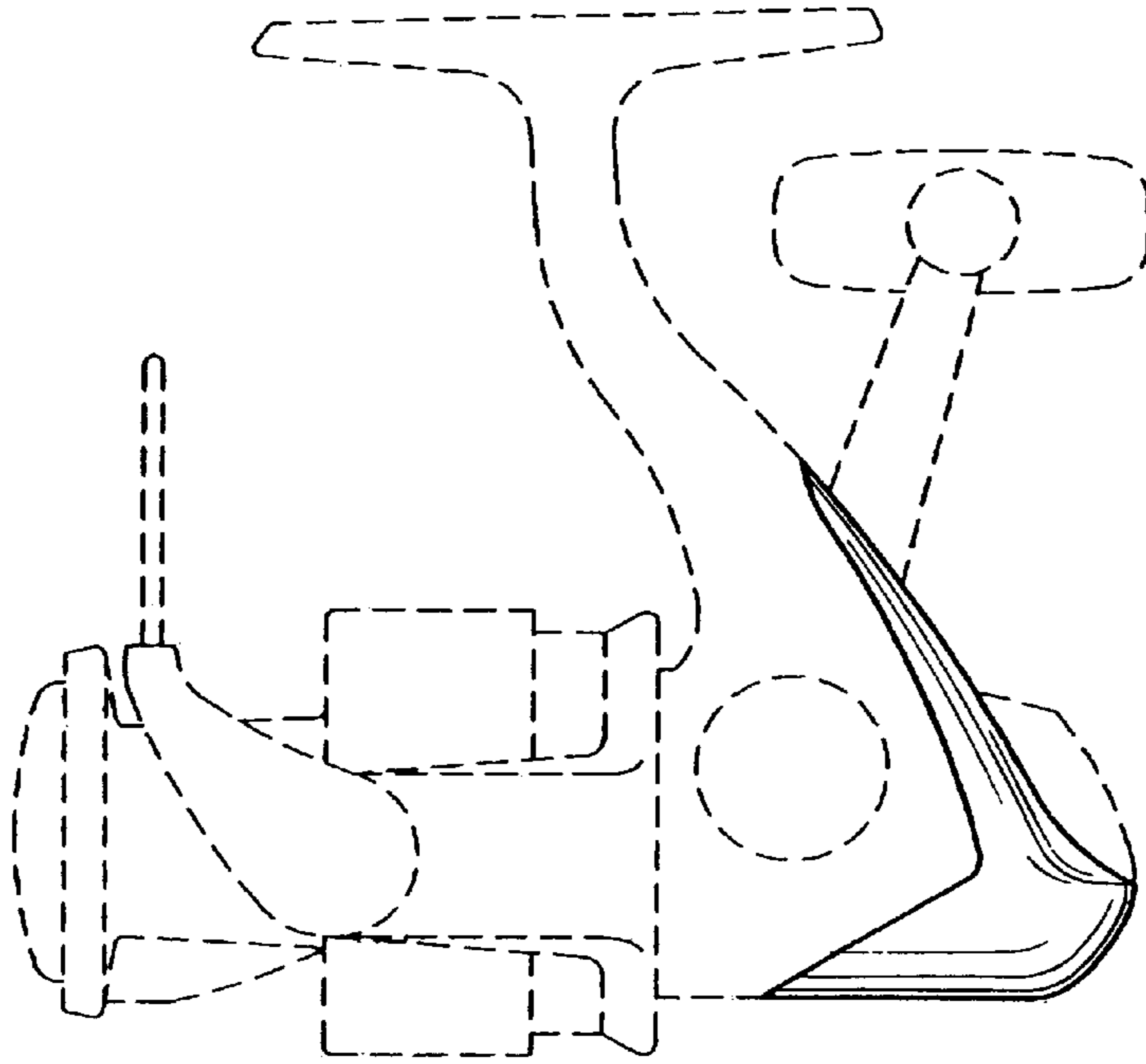


FIG. 10

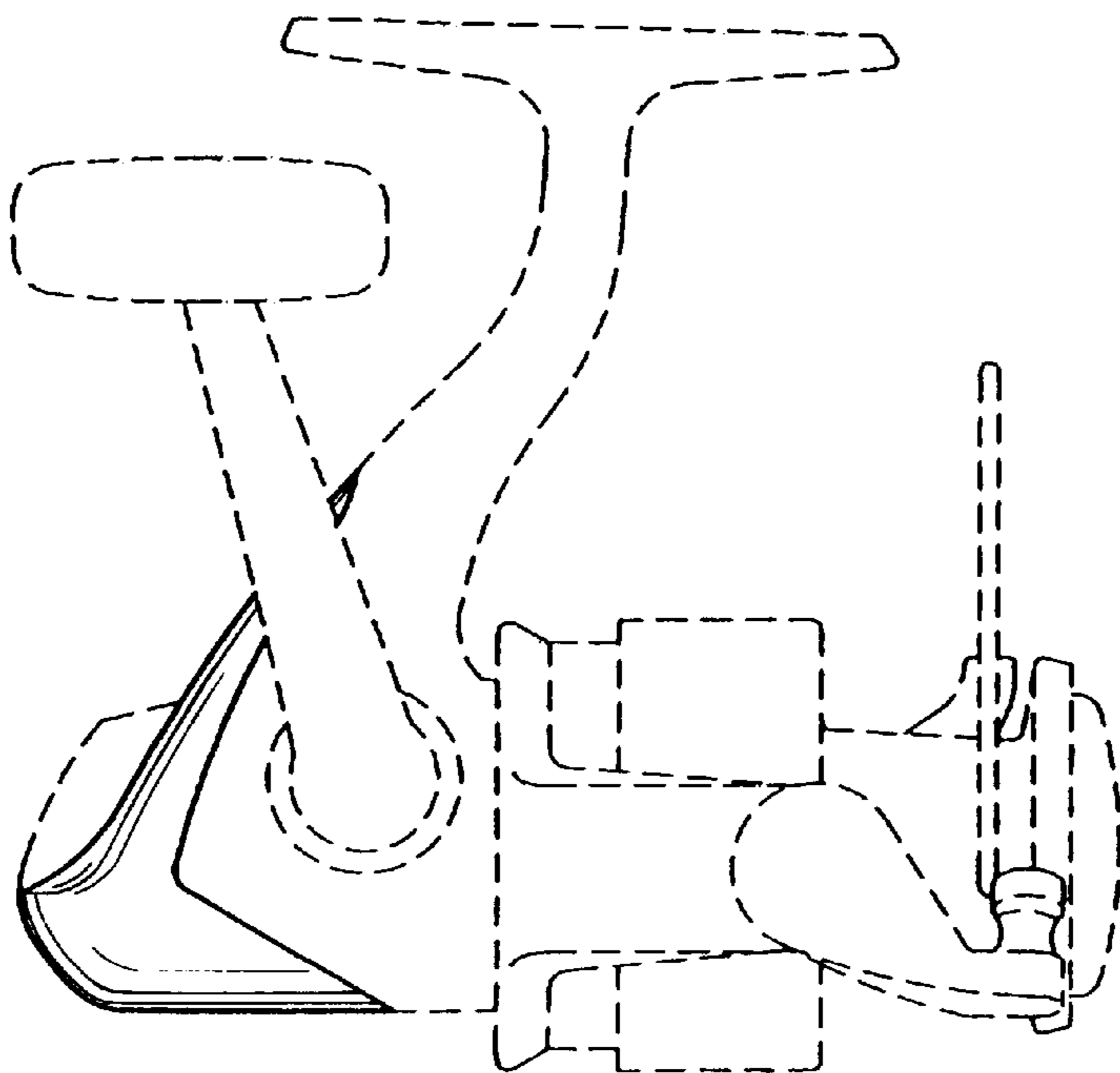


FIG. 11

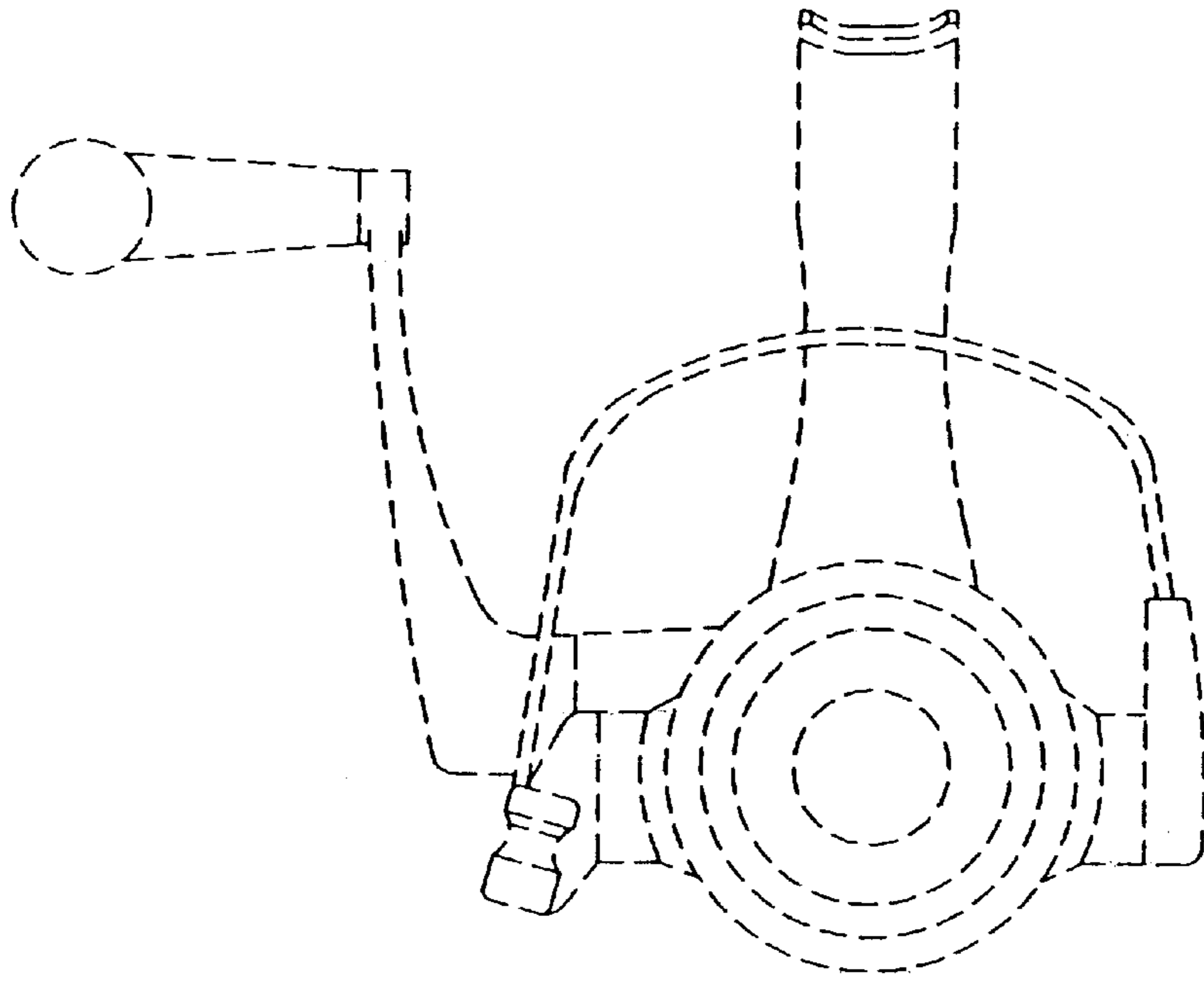


FIG. 12

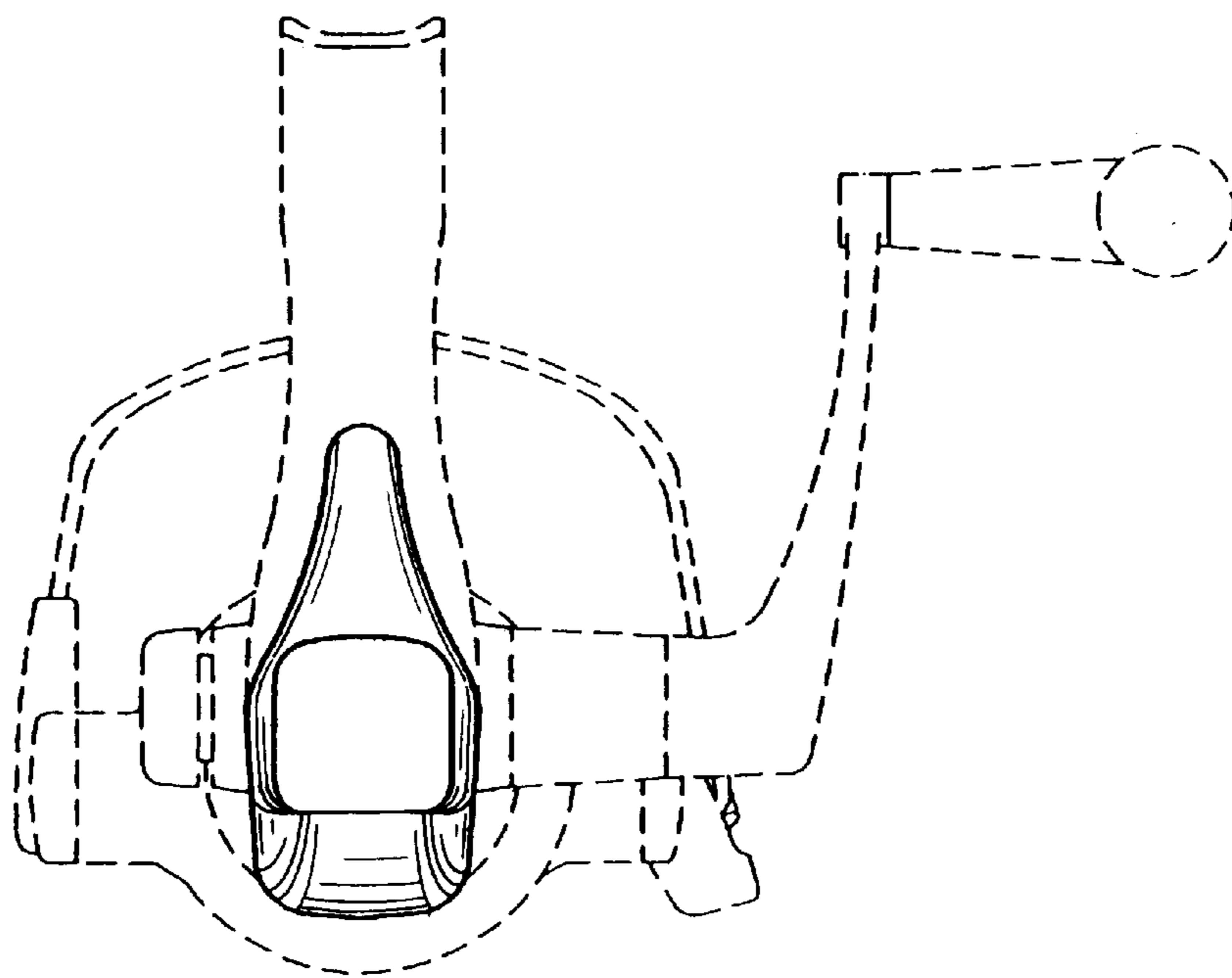


FIG. 13

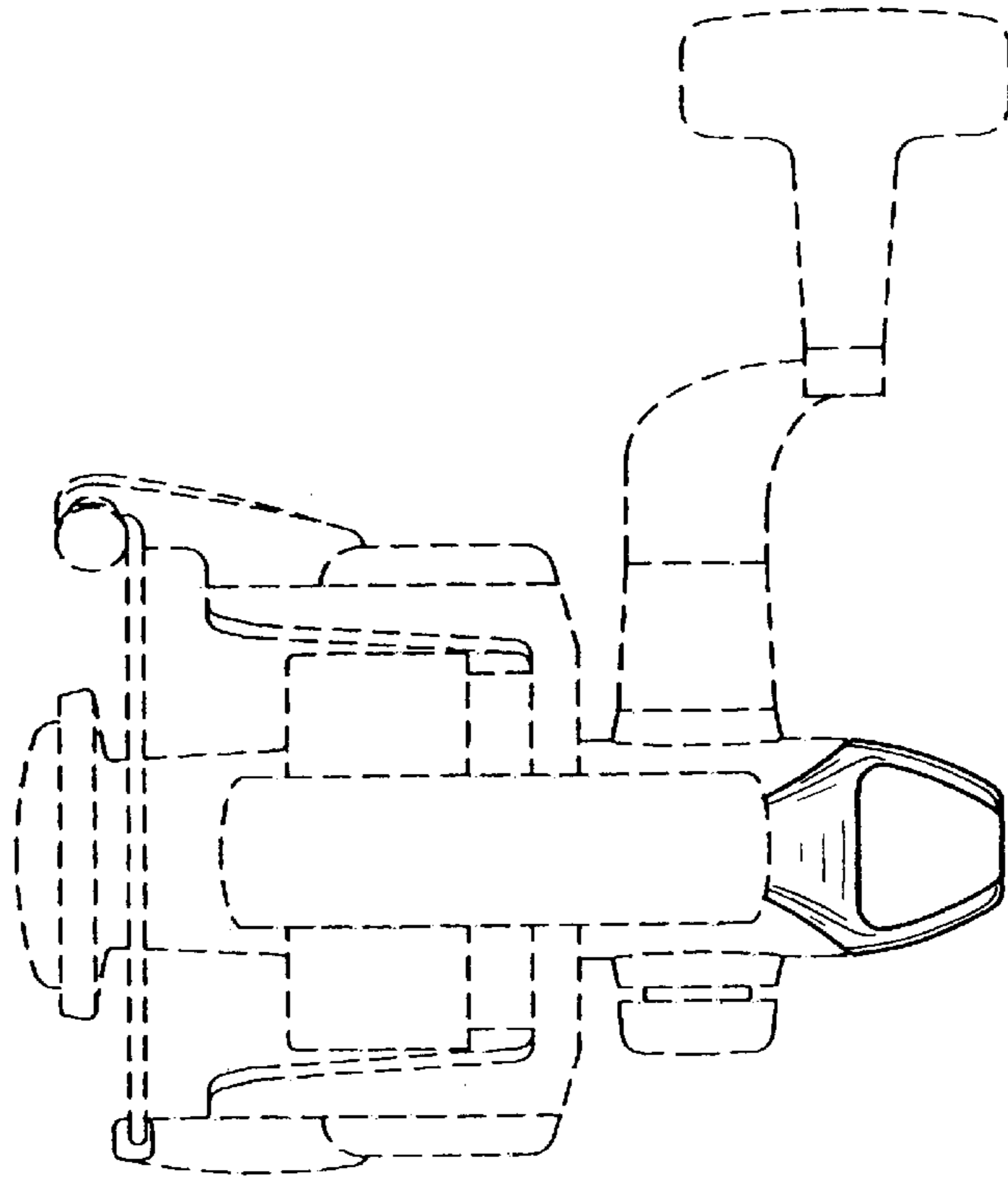


FIG. 14

