



US00D460515S

(12) **United States Design Patent**  
**Schumacher**

(10) **Patent No.:** **US D460,515 S**

(45) **Date of Patent:** **\*\* Jul. 16, 2002**

(54) **COMBINED GOLF CLUB AND FISHING POLE**

(76) **Inventor:** **Kevin D. Schumacher**, 15058 71st Pl. North, Loxahatchee, FL (US) 33470

(\*\*) **Term:** **14 Years**

(21) **Appl. No.:** **29/135,049**

(22) **Filed:** **Jan. 3, 2001**

(51) **LOC (7) Cl.** ..... **22-05**

(52) **U.S. Cl.** ..... **D22/139**

(58) **Field of Search** ..... D22/137-142;  
43/18.1; D21/733, 735, 736; 135/65-76;  
473/319

(56) **References Cited**

**U.S. PATENT DOCUMENTS**

1,283,015	A	10/1918	Yung	43/18.1
1,406,268	A *	2/1922	Madej	43/18.1
3,270,457	A	9/1966	Austin	43/15
3,833,223	A	9/1974	Shulkin	473/238
D239,778	S *	5/1976	Solheim	D21/736
4,002,236	A	1/1977	Tolleson	206/577
4,062,371	A	12/1977	Bolen	135/66
4,351,348	A	9/1982	Axton	135/66
D266,939	S	11/1982	Brammell	D21/735
D317,491	S	6/1991	Rhodes	D21/735
D349,544	S *	8/1994	Snyder	D21/735
5,361,793	A *	11/1994	Stahnke	135/65
5,628,713	A	5/1997	Wilkinson	482/74
D403,612	S	1/1999	Ziebart	D11/133
D416,963	S *	11/1999	Ryu	D21/733

\* cited by examiner

*Primary Examiner*—Catherine R. Oliver

(74) *Attorney, Agent, or Firm*—Akerman Senterfitt

(57) **CLAIM**

An ornamental design for a combined golf club and fishing pole, as shown and described.

**DESCRIPTION**

FIG. 1 is a left front perspective view of a first embodiment of the combined golf club and fishing pole according to my design;

FIG. 2 is a front elevation of the combined golf club and fishing pole in FIG. 1;

FIG. 3 is a top view of the combined golf club and fishing pole in FIG. 1;

FIG. 4 is a bottom view of the combined golf club and fishing pole in FIG. 1;

FIG. 5 is a rear elevation of the combined golf club and fishing pole in FIG. 1;

FIG. 6 is a left elevation of the combined golf club and fishing pole in FIG. 1; and

FIG. 7 is a right elevation of the combined golf club and fishing pole of FIG. 1; and

FIG. 8 is a left front perspective view of a second embodiment of the combined golf club and fishing pole according to my design;

FIG. 9 is a front elevation of the combined golf club and fishing pole in FIG. 8;

FIG. 10 is a top view of the combined golf club and fishing pole in FIG. 8;

FIG. 11 is a bottom view of the combined golf club and fishing pole in FIG. 8;

FIG. 12 is a rear elevation of the combined golf club and fishing pole in FIG. 8;

FIG. 13 is a left elevation of the combined golf club and fishing pole in FIG. 8; and

FIG. 14 is a right elevation of the combined golf club and fishing pole of FIG. 8; and

FIG. 15 is a left front perspective view of the first embodiment of the combined golf club and fishing pole without the fishing reel according to my design;

FIG. 16 is a front elevation of the combined golf club and fishing pole in FIG. 15 showing the fishing reel as environment;

FIG. 17 is a top view of the combined golf club and fishing pole in FIG. 15;

FIG. 18 is a bottom view of the combined golf club and fishing pole in FIG. 15;

FIG. 19 is a rear elevation of the combined golf club and fishing pole in FIG. 15;

FIG. 20 is a left elevation of the combined golf club and fishing pole in FIG. 15; and

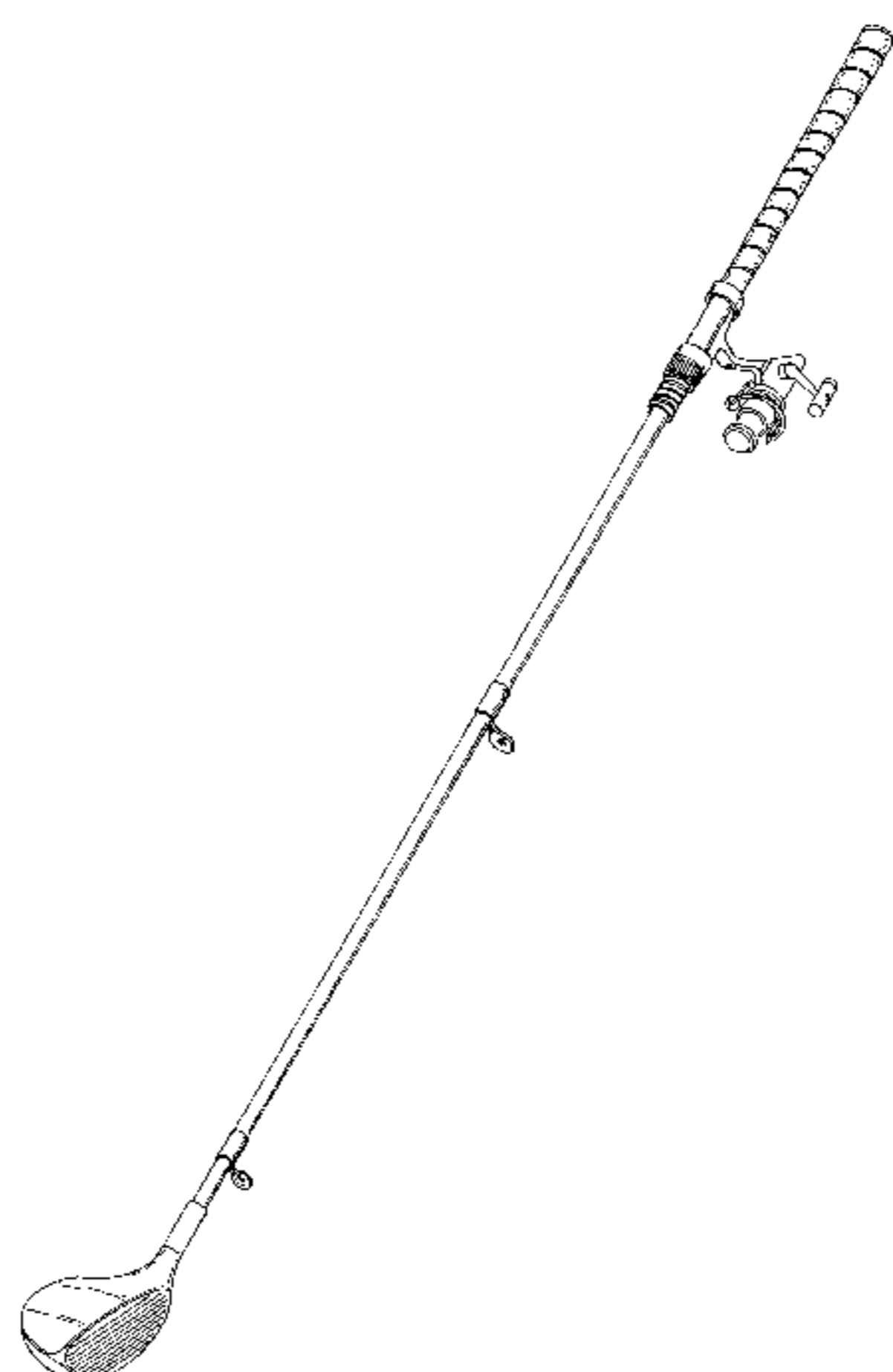


FIG. 21 is a right elevation of the combined golf club and fishing pole of FIG. 15; and

FIG. 22 is a left front perspective view of the second embodiment of the combined golf club and fishing pole without the fishing reel according to my design;

FIG. 23 is a front elevation of the combined golf club and fishing pole in FIG. 22 showing the fishing reel as environment;

FIG. 24 is a top view of the combined golf club and fishing pole in FIG. 22;

FIG. 25 is a bottom view of the combined golf club and fishing pole in FIG. 22;

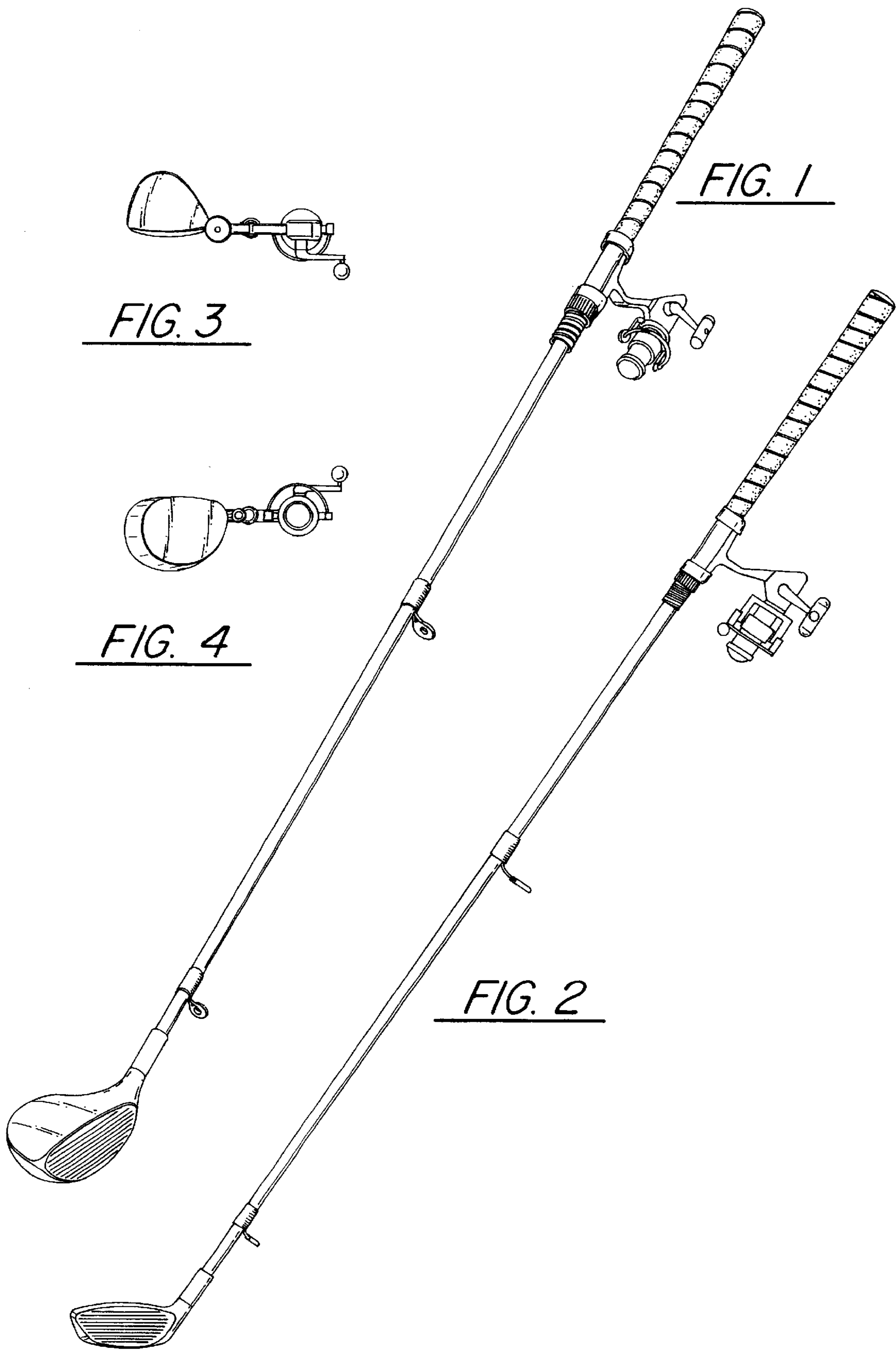
FIG. 26 is a rear elevation of the combined golf club and fishing pole in FIG. 22;

FIG. 27 is a left elevation of the combined golf club and fishing pole in FIG. 22; and,

FIG. 28 is a right elevation of the combined golf club and fishing pole of FIG. 22.

The broken line showing of environment in FIGS. 16 and 23 is for illustrative purposes only and forms no part of the claimed design.

**1 Claim, 8 Drawing Sheets**



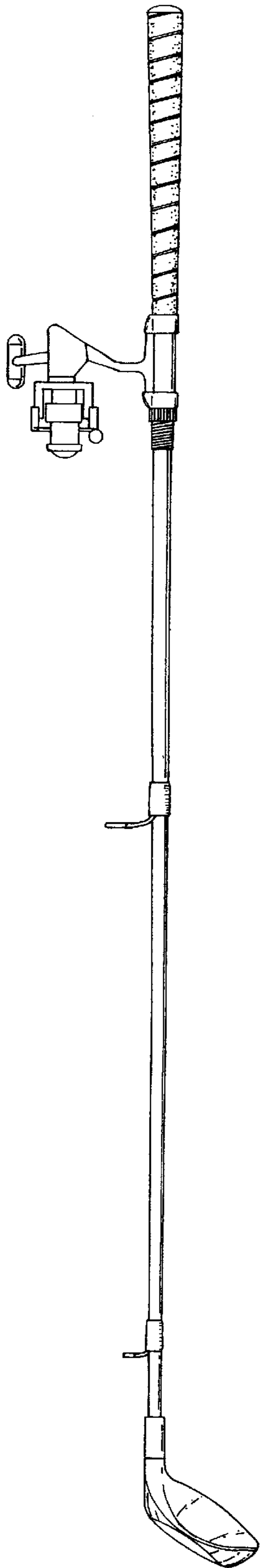


FIG. 5

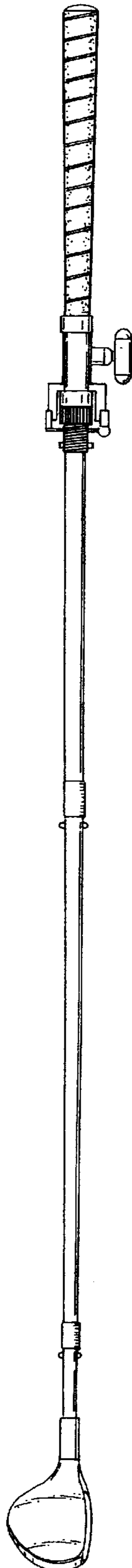


FIG. 6

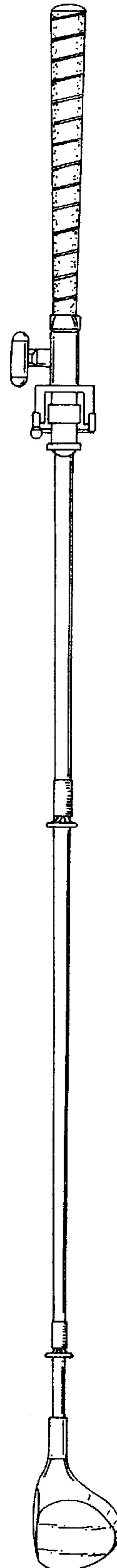
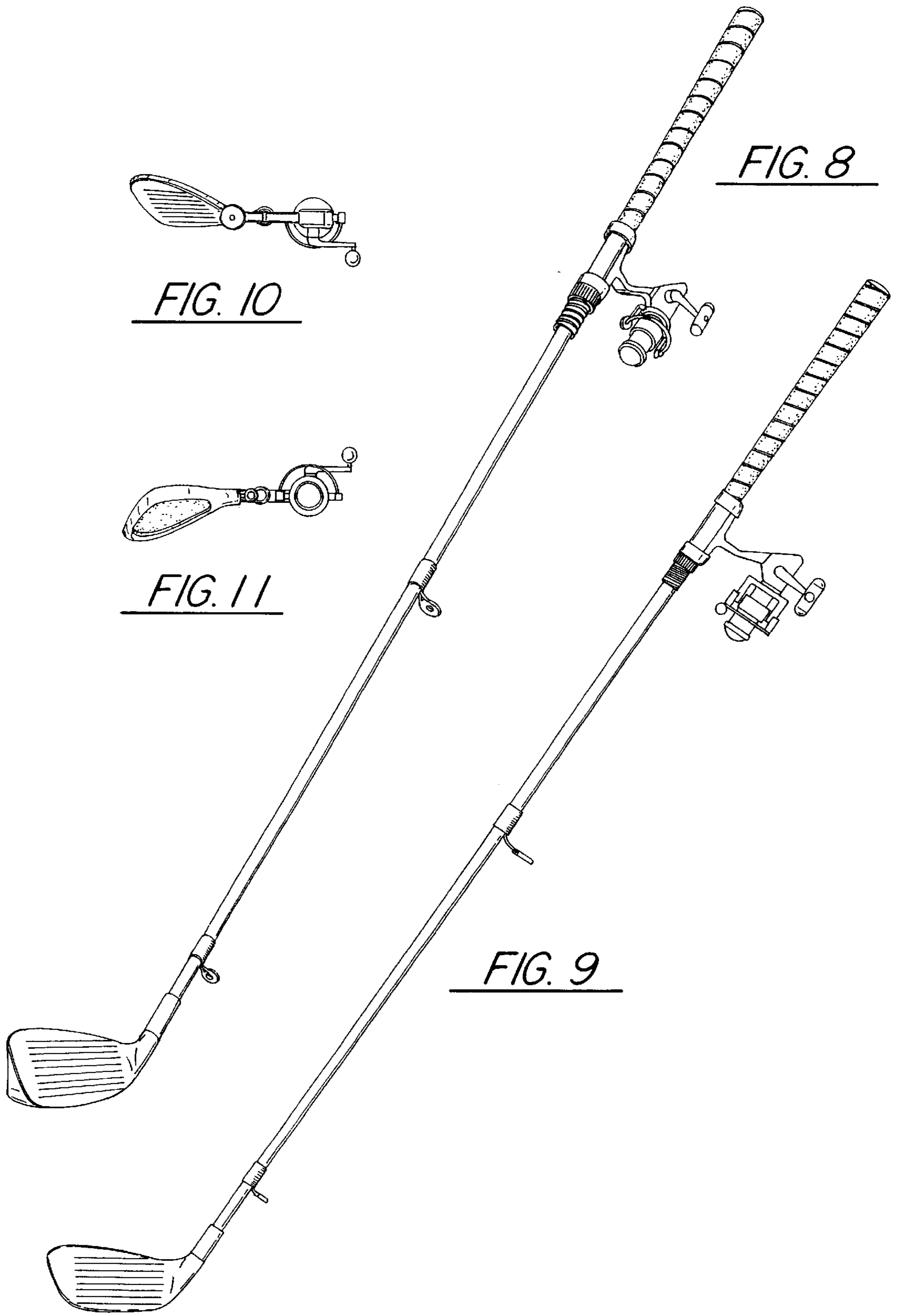


FIG. 7



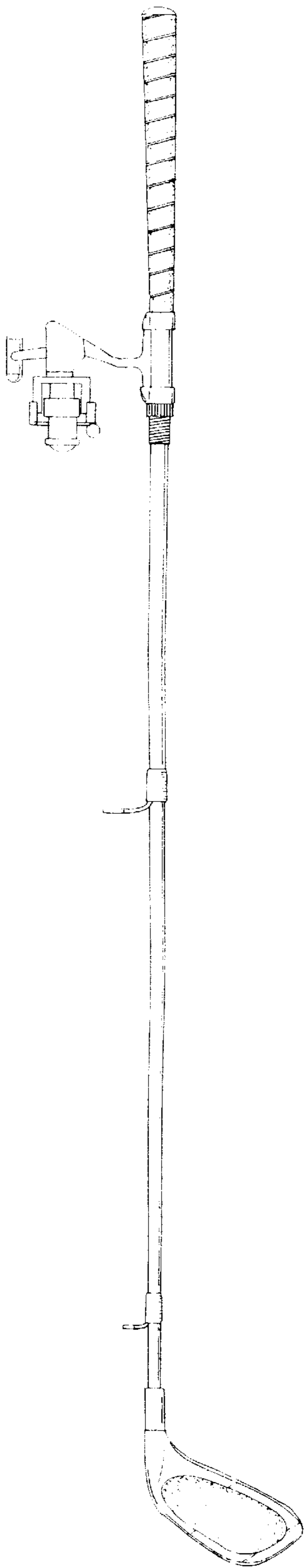


FIG. 12

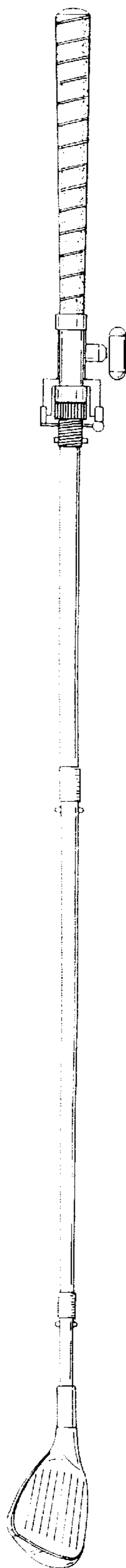


FIG. 13

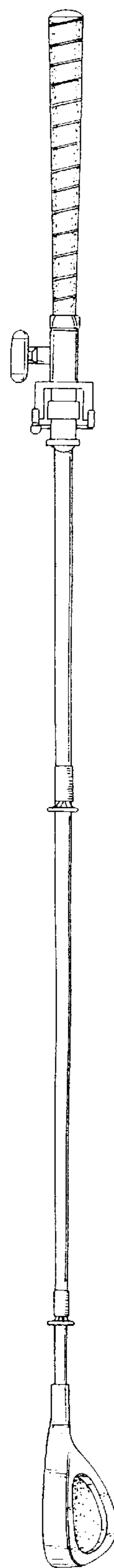


FIG. 14

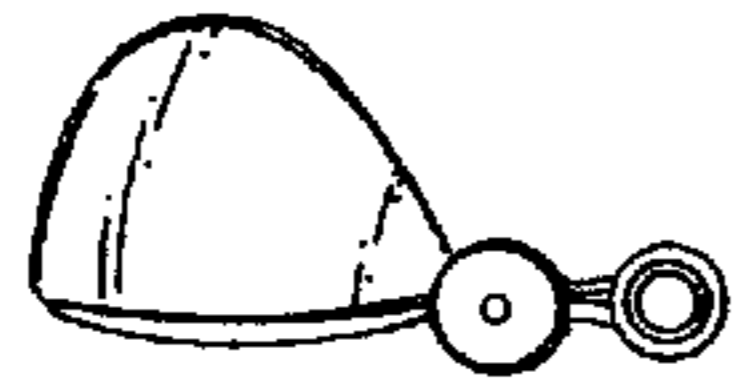


FIG. 17

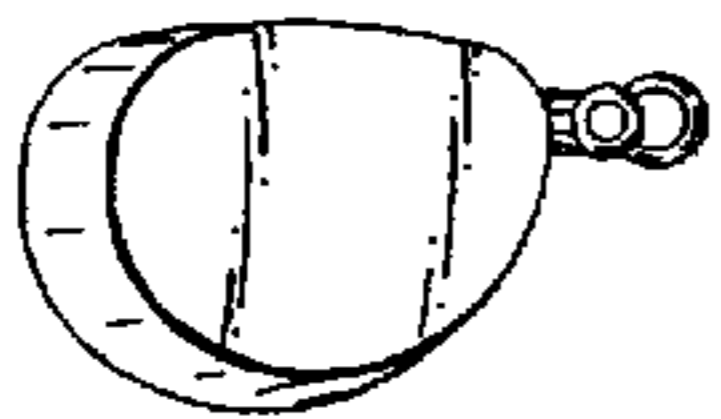


FIG. 18

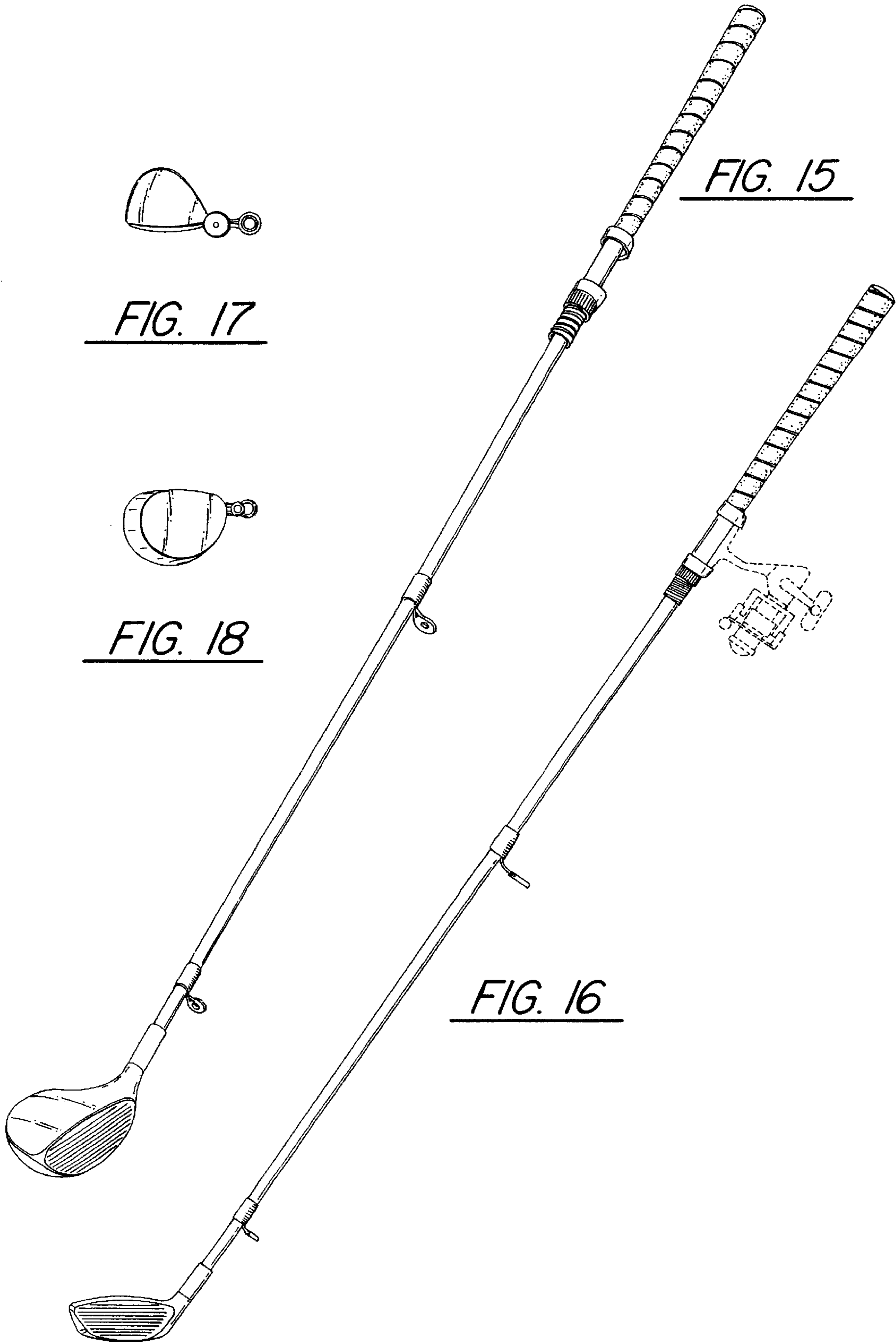


FIG. 15

FIG. 16

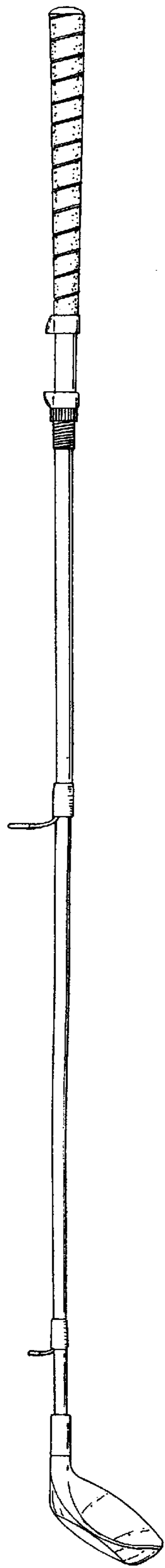


FIG. 19

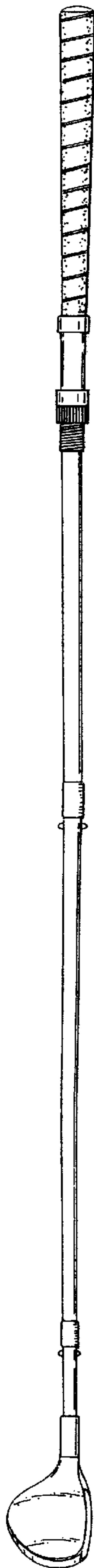


FIG. 20

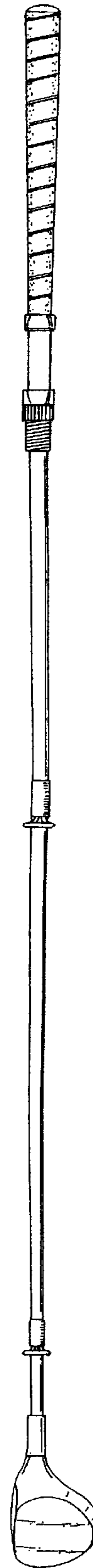


FIG. 21



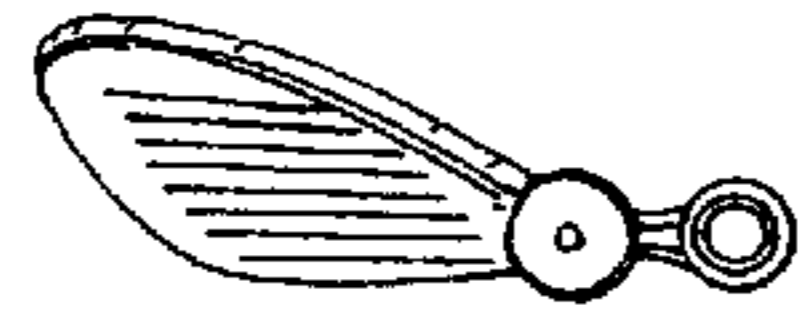


FIG. 24

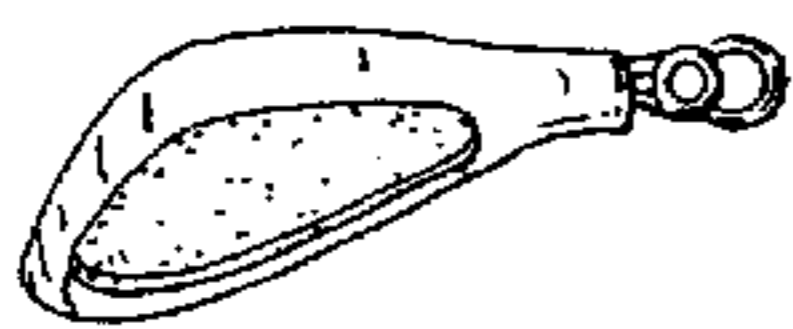


FIG. 25

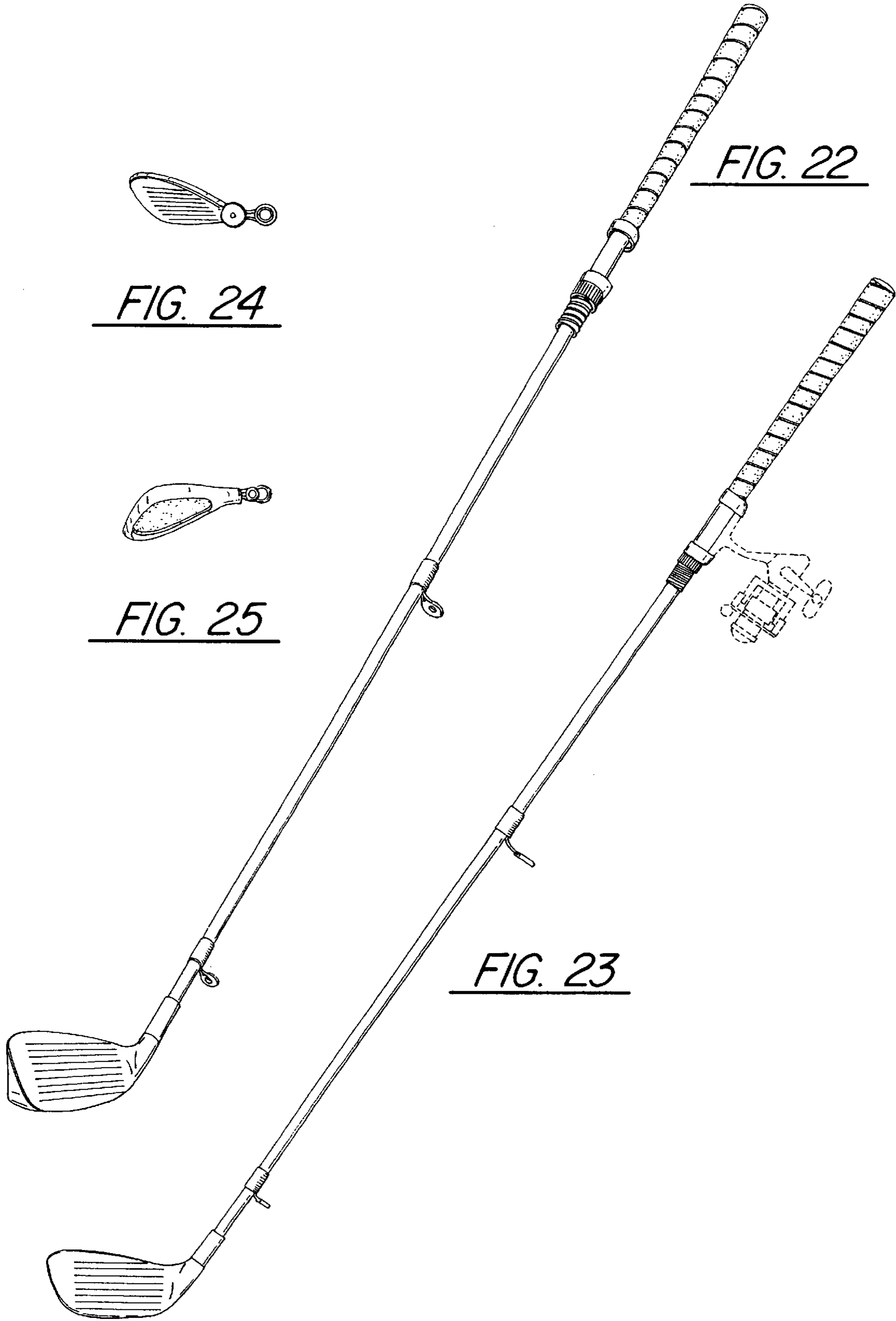


FIG. 22

FIG. 23

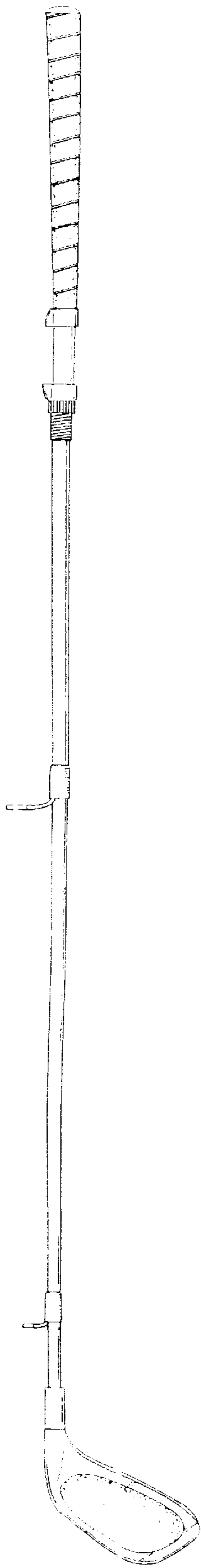


FIG. 26

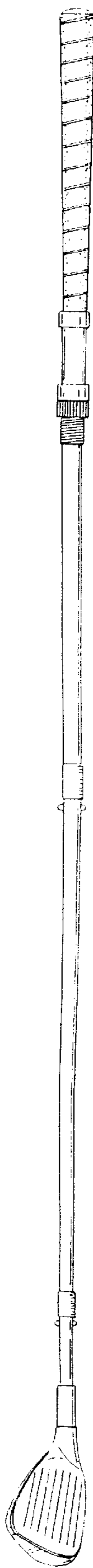


FIG. 27

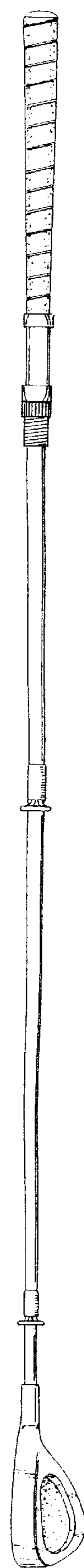


FIG. 28