



US00D460512S

(12) **United States Design Patent**
Sheehan

(10) **Patent No.:** **US D460,512 S**

(45) **Date of Patent:** **** *Jul. 16, 2002**

(54) **APERTURE SIGHTING DEVICE FOR A FIREARM**

(76) **Inventor:** **Timothy J. Sheehan**, P.O. Box 20489, Sedona, AZ (US) 86341-0489

(*) **Notice:** This patent is subject to a terminal disclaimer.

(**) **Term:** **14 Years**

(21) **Appl. No.:** **29/128,344**

(22) **Filed:** **Aug. 21, 2000**

Related U.S. Application Data

(63) Continuation-in-part of application No. 29/083,503, filed on Feb. 11, 1998, now Pat. No. Des. 429,789, which is a continuation-in-part of application No. 29/066,418, filed on Feb. 14, 1997, now Pat. No. Des. 413,645.

(51) **LOC (7) Cl.** **22-01**

(52) **U.S. Cl.** **D22/109**

(58) **Field of Search** D22/100, 108, D22/109, 110, 199; 42/100; 33/253, 261

(56) **References Cited**

U.S. PATENT DOCUMENTS

1,363,553 A	12/1920	Barringer	
1,380,150 A	5/1921	Keeran	
2,645,017 A *	7/1953	Haase	33/261
3,641,676 A	2/1972	Knutsen et al.	
3,645,635 A *	2/1972	Steck	42/100 X
3,991,500 A *	11/1976	Kershner et al.	42/100
4,458,436 A *	7/1984	Bohl	42/100
4,745,698 A	5/1988	Schwulst	
D296,227 S	6/1988	Novak	
D301,512 S	6/1989	Novak	
4,850,113 A	7/1989	Doll	

D305,146 S	12/1989	Novak	
D305,561 S	1/1990	Novak	
D315,776 S	3/1991	Novak	
5,572,795 A	11/1996	Kregloh	
D382,038 S	8/1997	Nigh	
D399,291 S	10/1998	Emerson	
D399,292 S	10/1998	Emerson	
D403,734 S	1/1999	Kay	
D404,788 S	1/1999	Gangl, Jr.	
D413,645 S *	9/1999	Sheehan	D22/109
D420,088 S	2/2000	Sheehan	
D429,789 S *	8/2000	Sheehan	D22/109

FOREIGN PATENT DOCUMENTS

WO WO 98/36233 8/1998

* cited by examiner

Primary Examiner—Louis S. Zarfaz
Assistant Examiner—Monica A. Weingart
(74) *Attorney, Agent, or Firm*—Eric J. Sheets

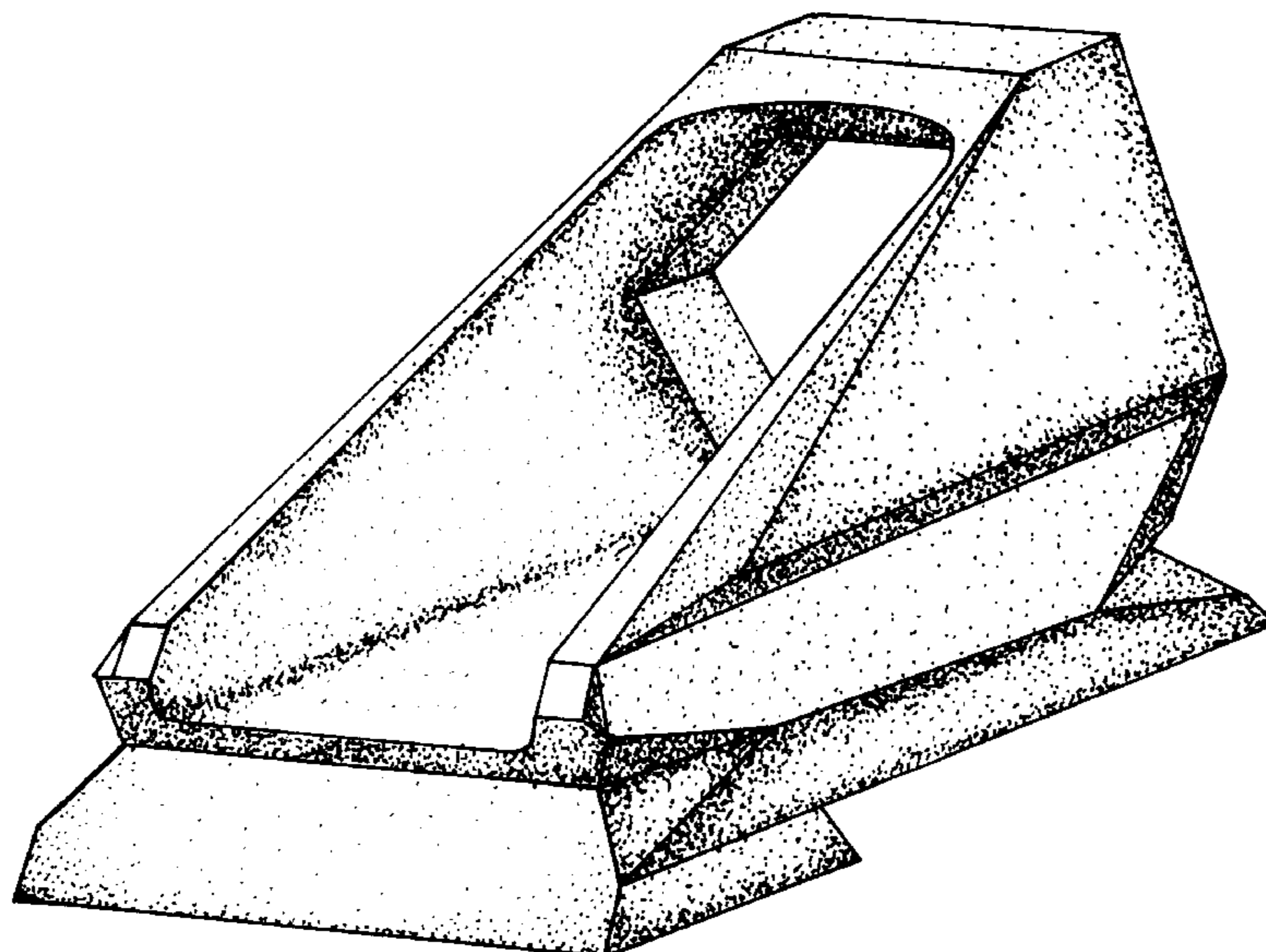
(57) **CLAIM**

The ornamental design for an aperture sighting device for a firearm, as shown and described.

DESCRIPTION

FIG. 1 is a perspective view of an aperture sighting device for a firearm, as seen from the front left portion, showing my new design;
FIG. 2 is a top elevational view thereof;
FIG. 3 is a front view thereof;
FIG. 4 is a side view thereof;
FIG. 5 is a rear view thereof;
FIG. 6 is a bottom view thereof; and,
FIG. 7 is a perspective view thereof shown mounted on a firearm, the firearm shown in broken lines are for illustrative purposes only and form no part of the claimed design.

1 Claim, 3 Drawing Sheets



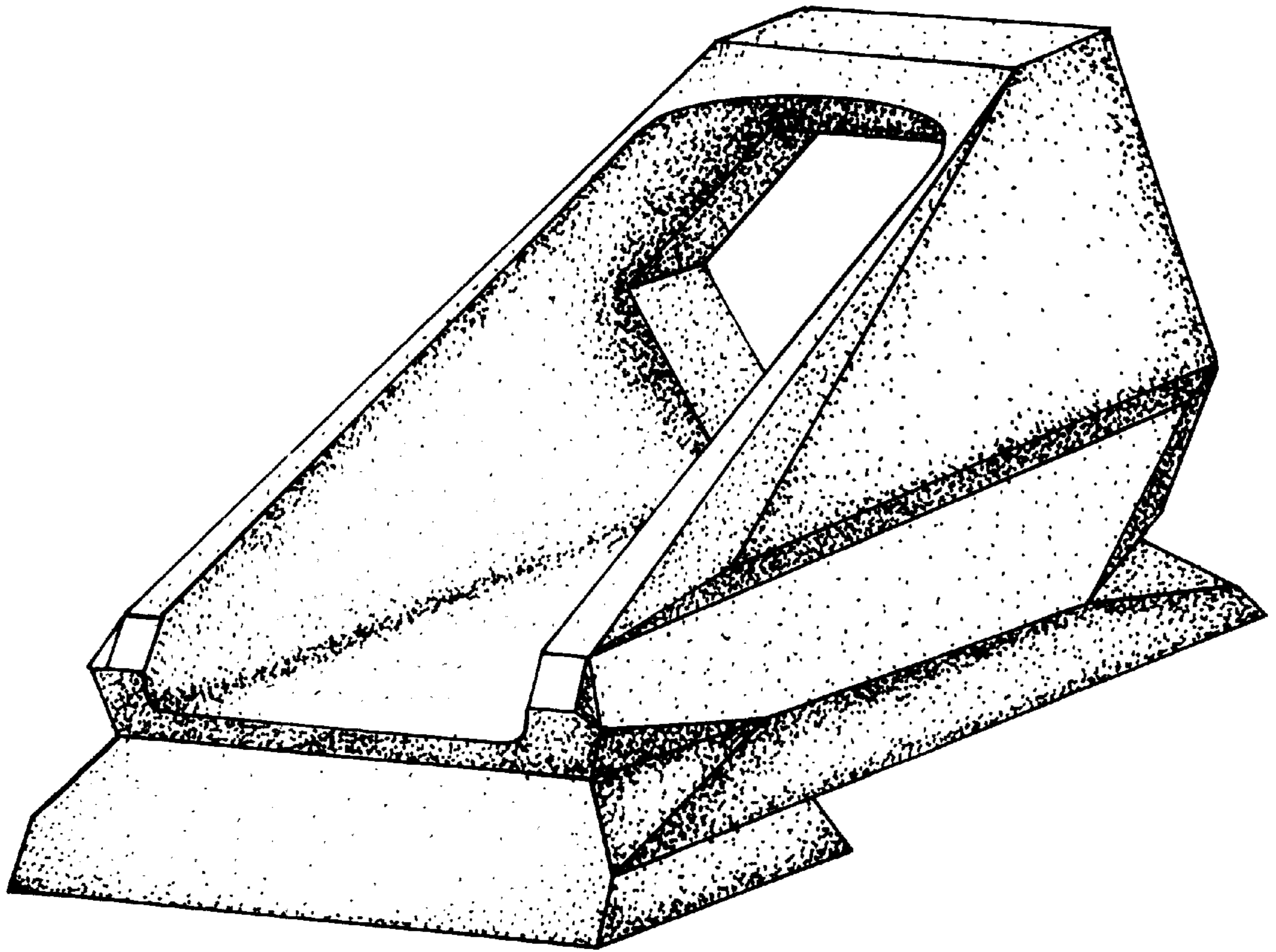


FIG. 1

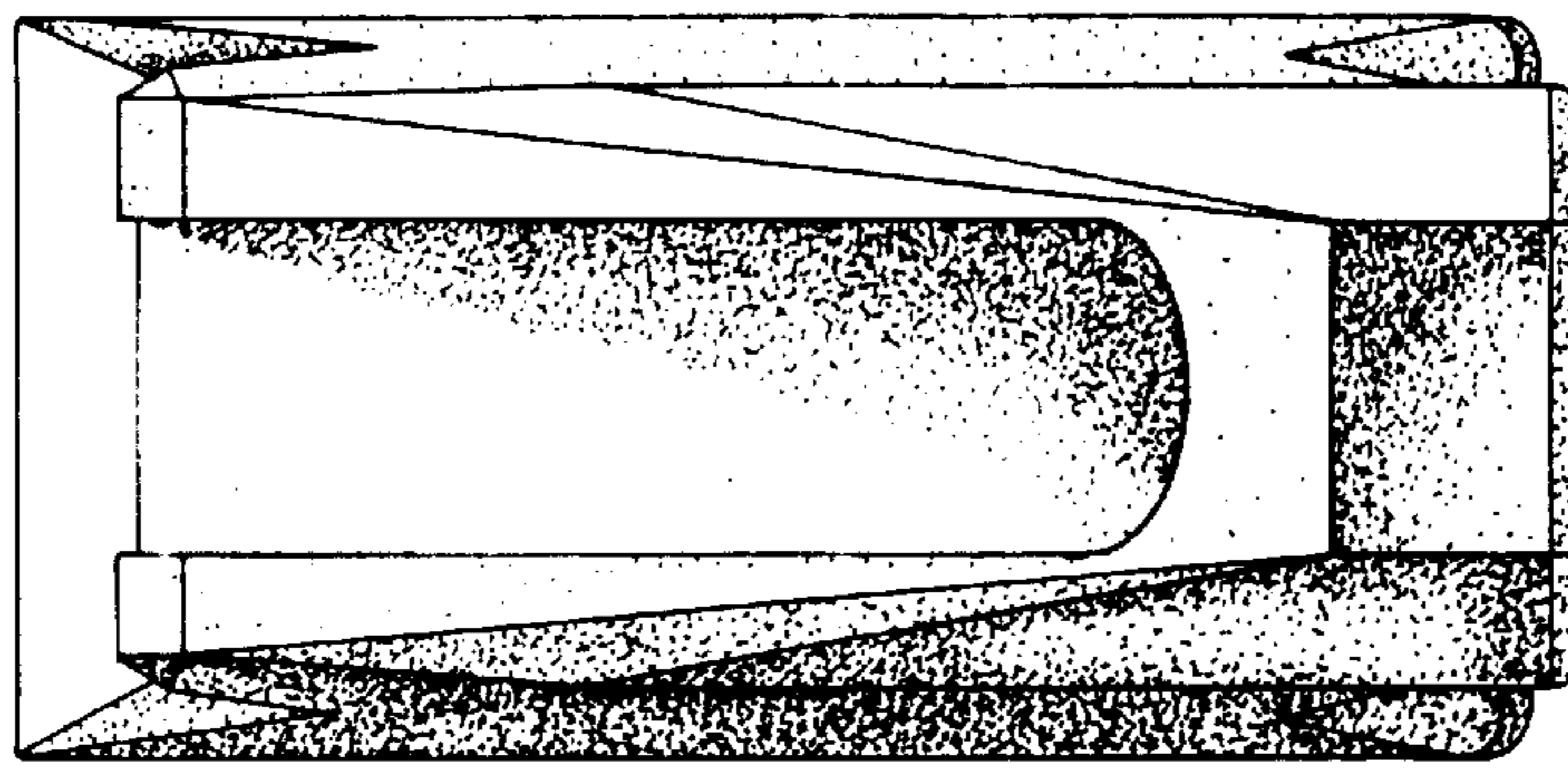


FIG. 2

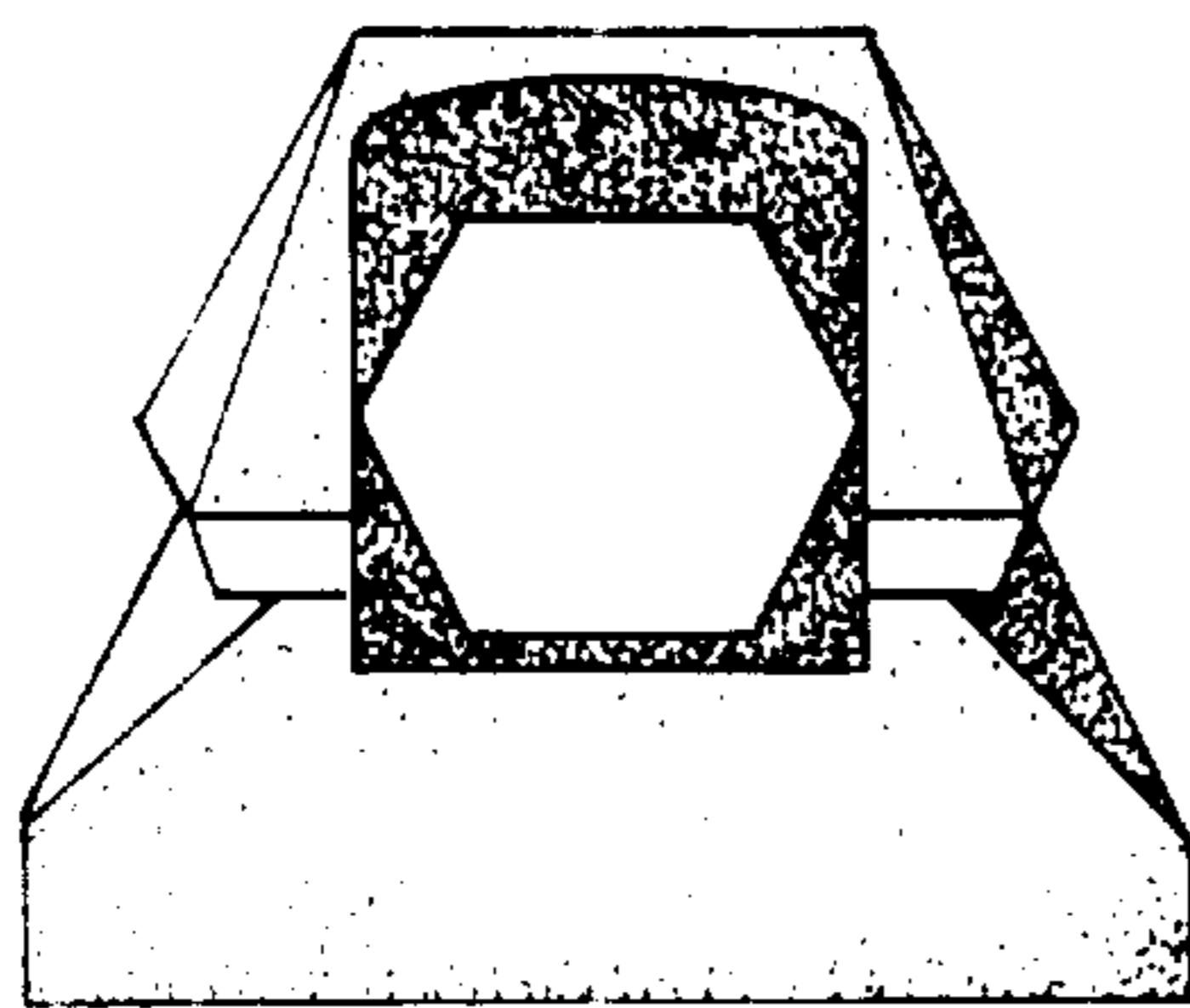


FIG. 3

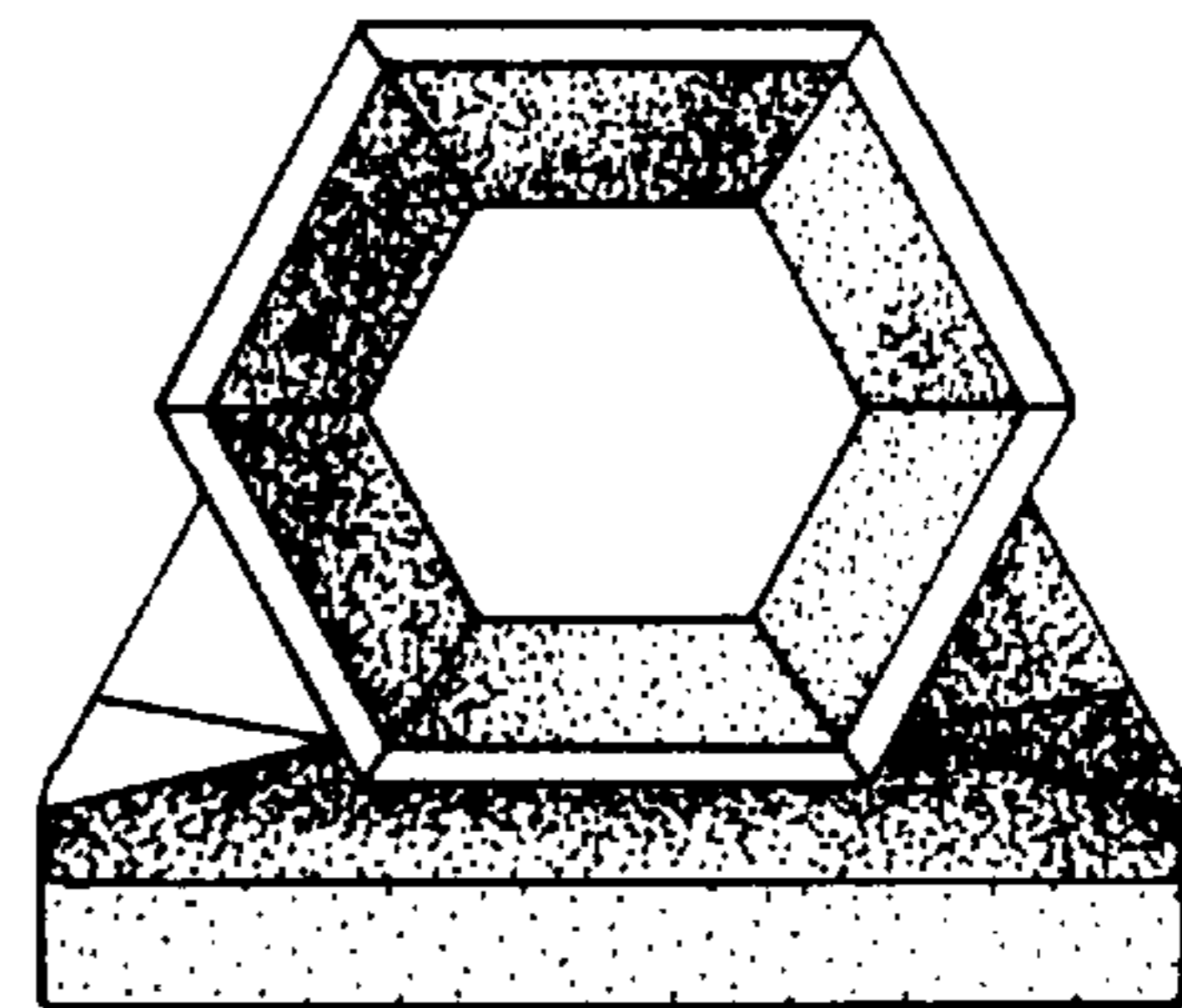


FIG. 5

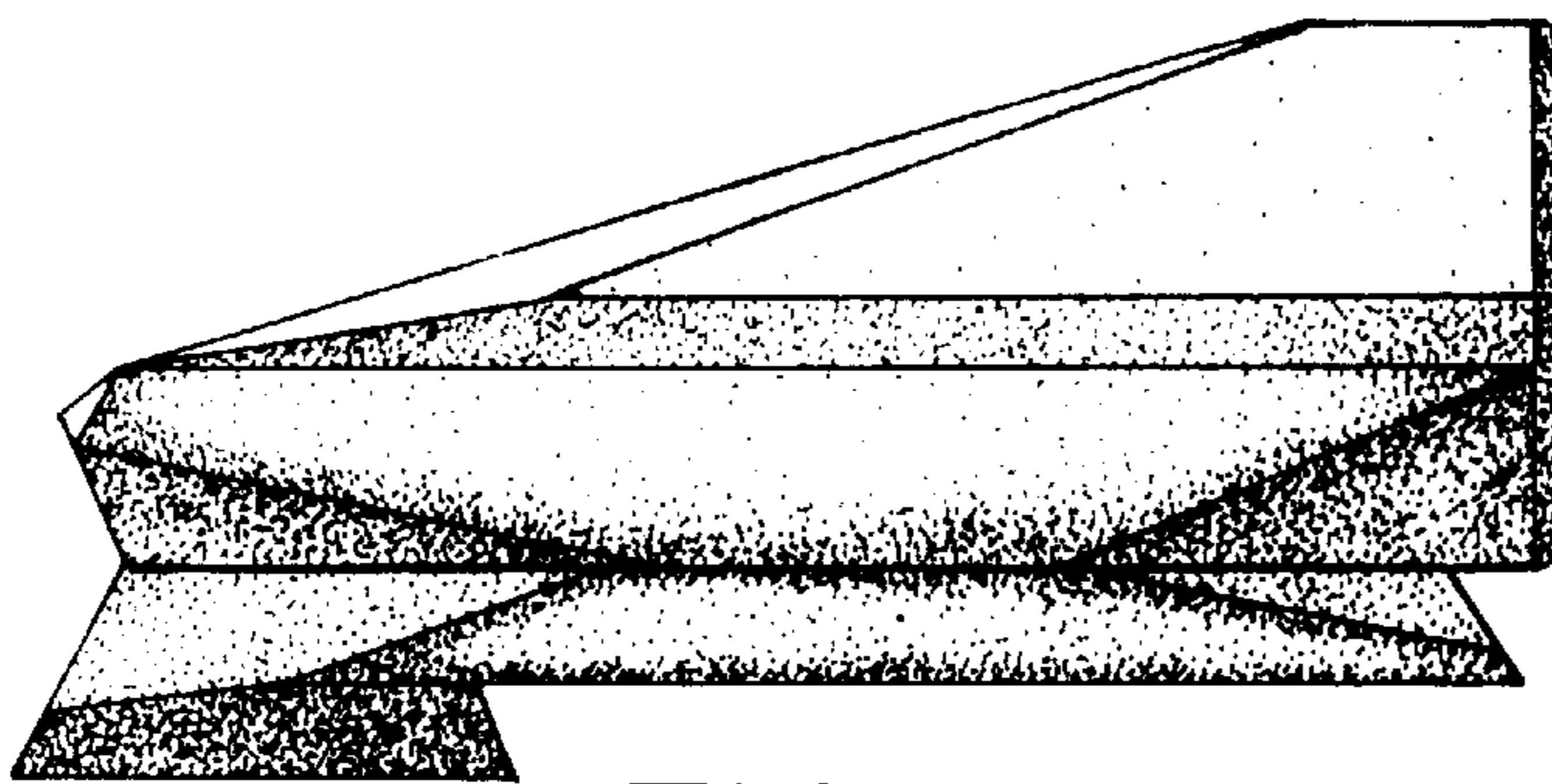


FIG. 4

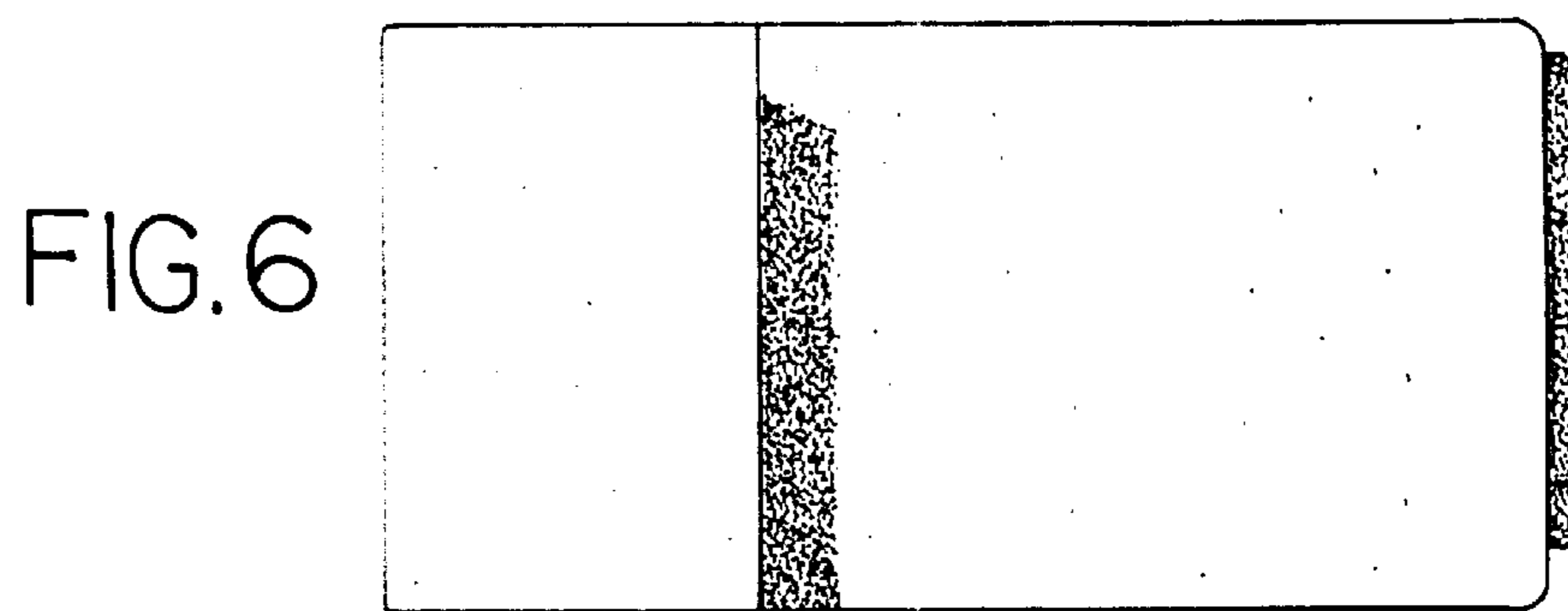


FIG. 6

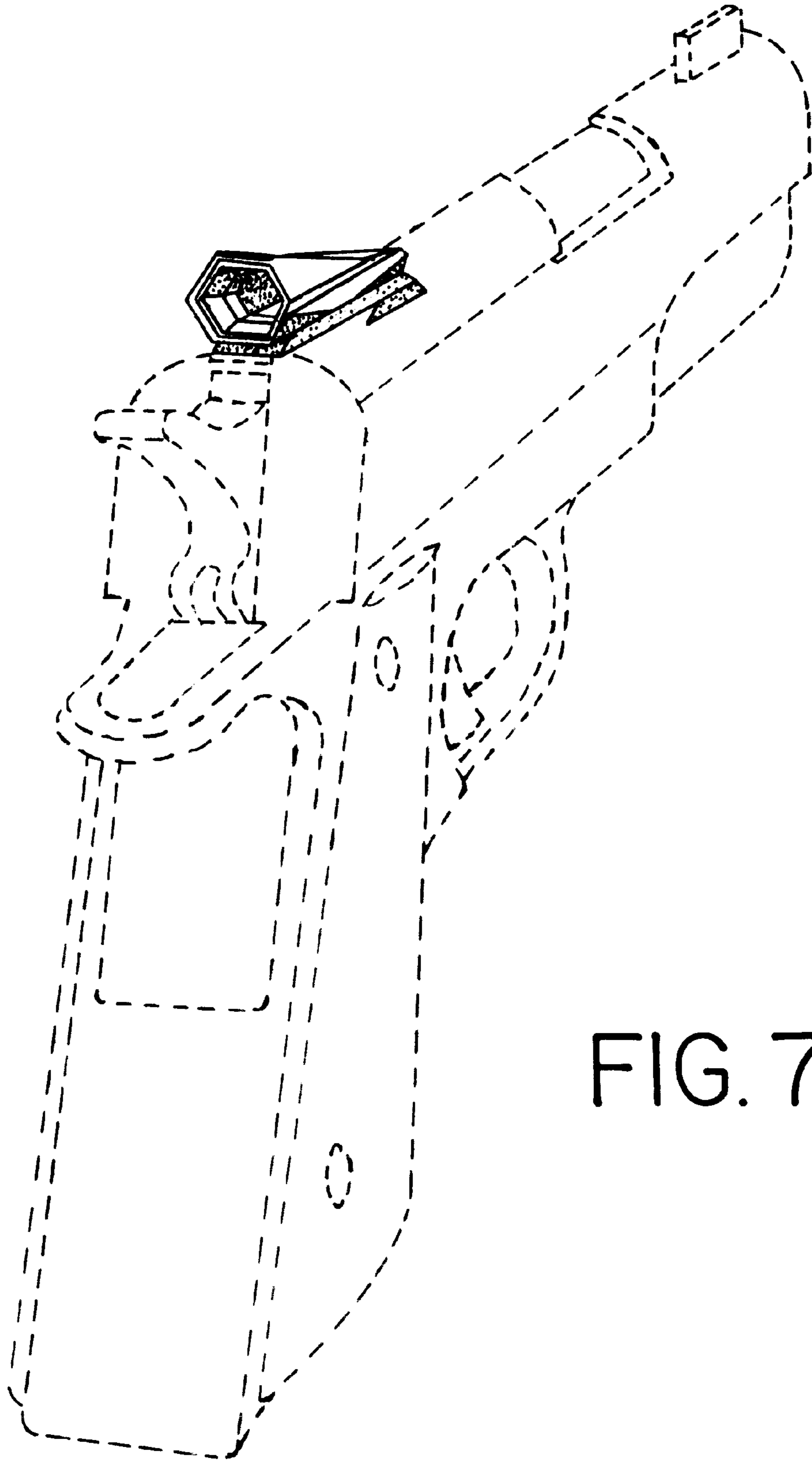


FIG. 7