



US00D460511S

(12) **United States Design Patent**
Van Deusen

(10) **Patent No.:** **US D460,511 S**

(45) **Date of Patent:** **** Jul. 16, 2002**

(54) **TRIPLE BEDWAY PLAYGROUND SLIDE**

(74) *Attorney, Agent, or Firm*—Young & Basile, P.C.

(75) **Inventor:** **Gary Van Deusen**, Hillsdale, MI (US)

(57) **CLAIM**

(73) **Assignee:** **The Shane Group, Inc.**, Hillsdale, MI (US)

The ornamental design of a triple bedway playground slide, as shown.

(**) **Term:** **14 Years**

DESCRIPTION

(21) **Appl. No.:** **29/144,100**

FIG. 1 is a plan view of a triple bedway playground slide in accord with my design,

(22) **Filed:** **Jun. 27, 2001**

FIG. 2 is a front elevational view of the design,

(51) **LOC (7) Cl.** **21-03**

FIG. 3 is an elevational view as taken from the left of FIG. 2,

(52) **U.S. Cl.** **D21/818**

FIG. 4 is an elevational view of my new design as taken from the right of FIG. 2, and

(58) **Field of Search** D21/818-822;
472/116, 117; 482/35, 36

FIG. 5 is a cross sectional view taken on line 5-5 of FIG. 1;

(56) **References Cited**

FIG. 6 is a cross sectional view taken on line 6-6 of FIG. 1;

U.S. PATENT DOCUMENTS

5,505,663 A * 4/1996 Goulart et al. 472/116

FIG. 7 is a cross sectional view taken on line 7-7 of FIG. 1;

5,554,074 A * 9/1996 Von Parrish 472/116

FIG. 8 is a cross sectional view taken on line 8-8 of FIG. 1; and,

D388,148 S * 12/1997 Sutton et al. D21/818

FIG. 9 is a cross sectional view taken on line 9-9 of FIG. 1.

* cited by examiner

Primary Examiner—Mitchell Siegel

1 Claim, 4 Drawing Sheets

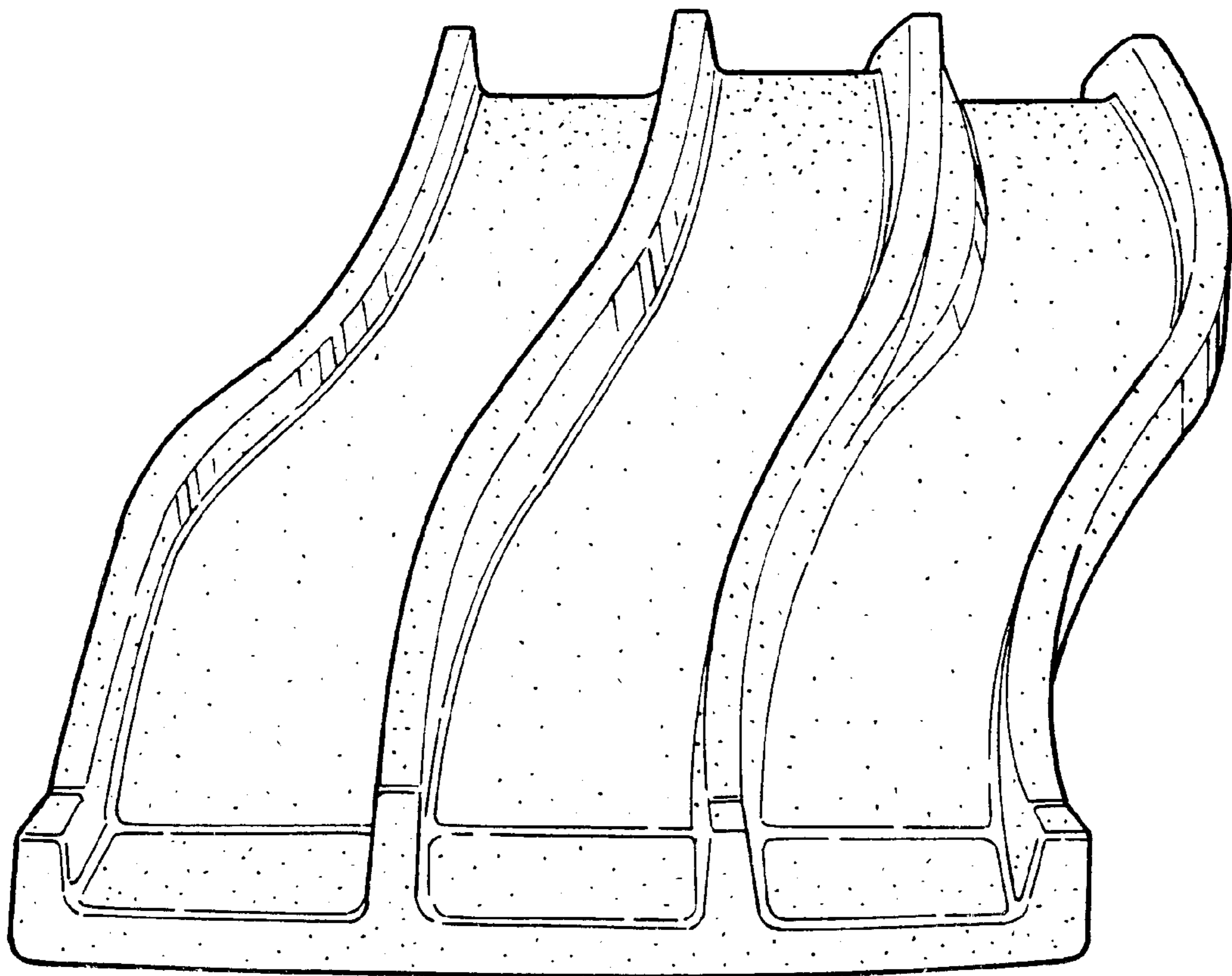


FIG-1

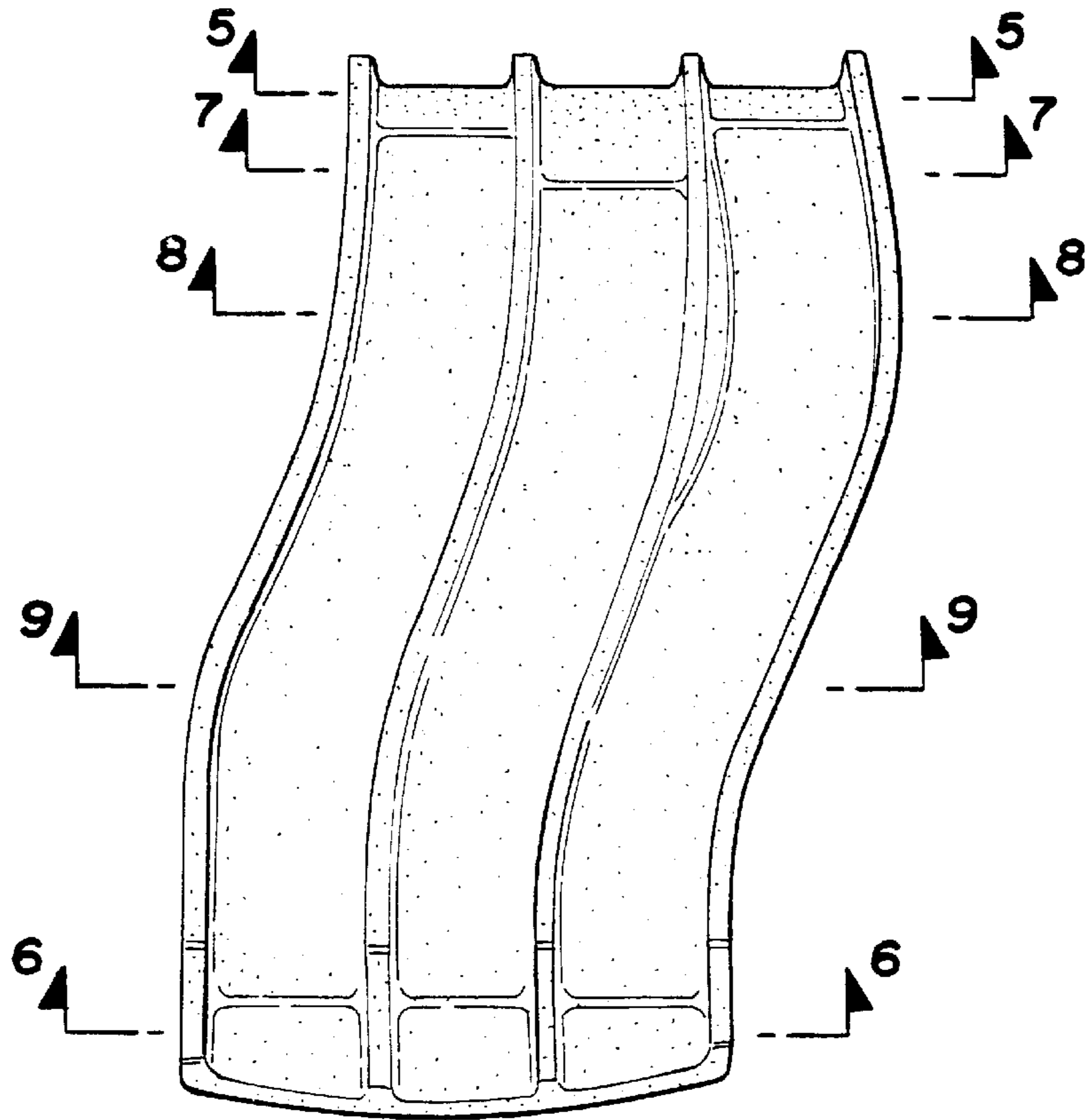
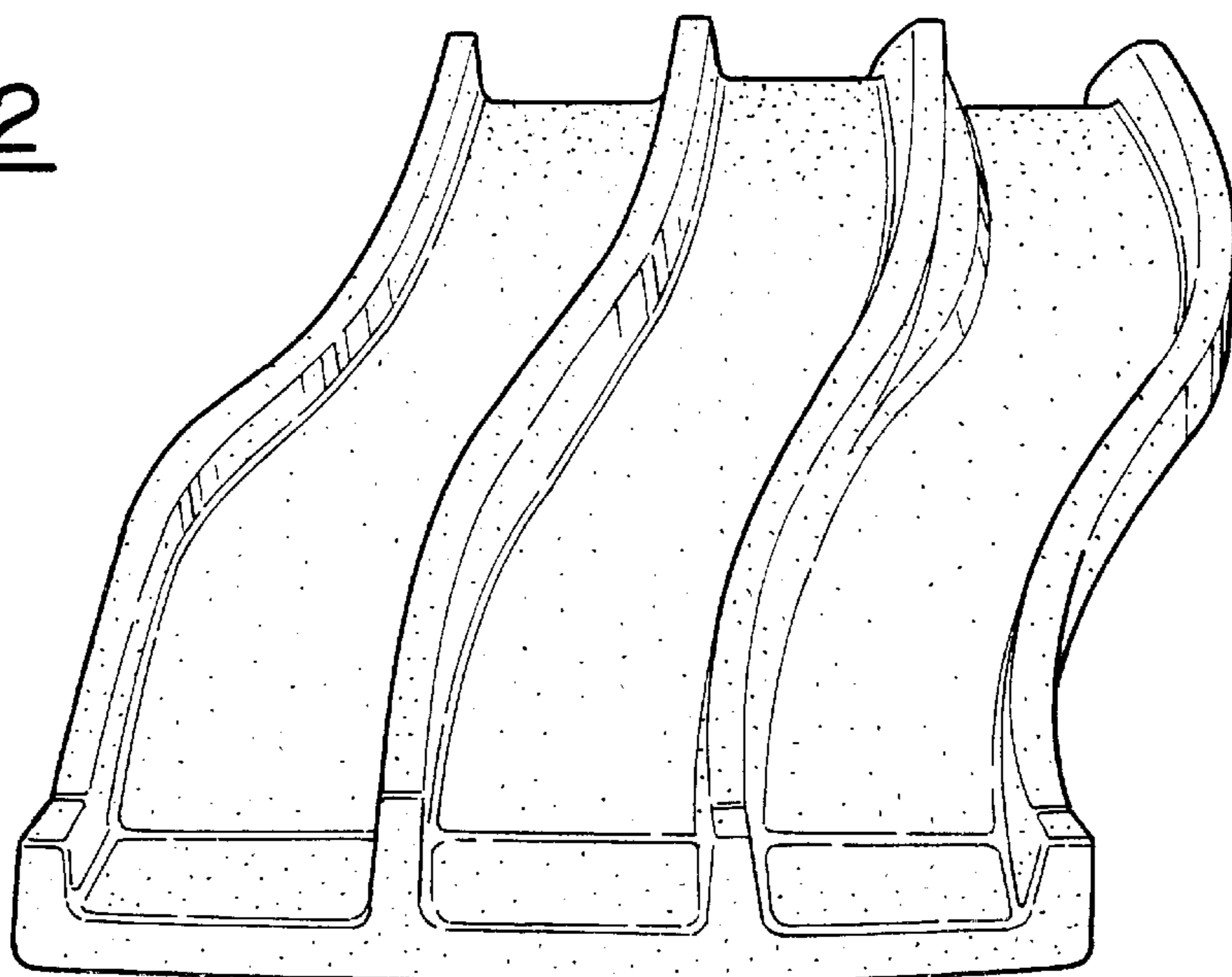
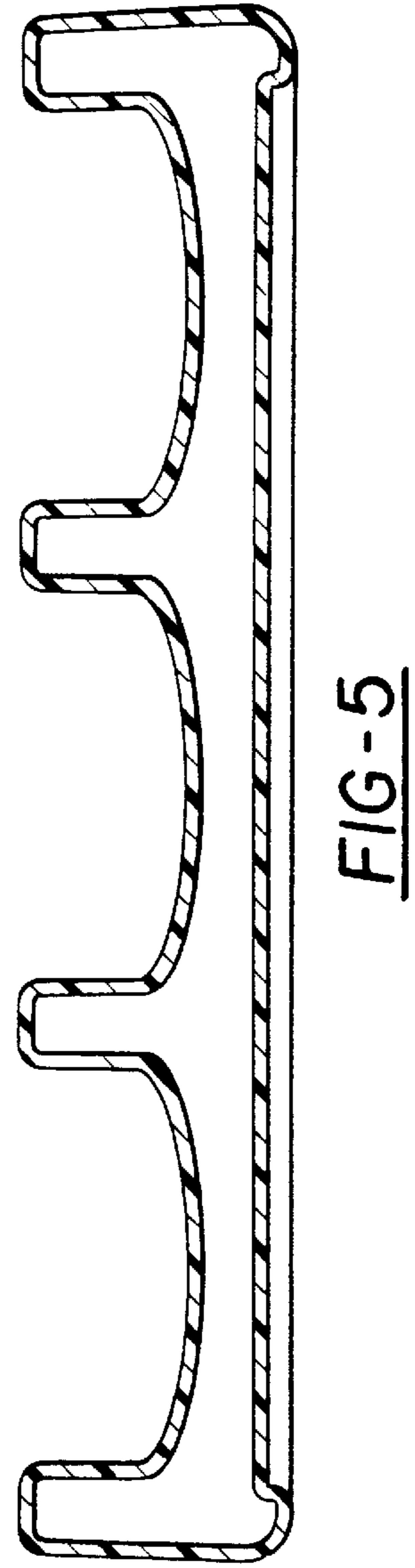
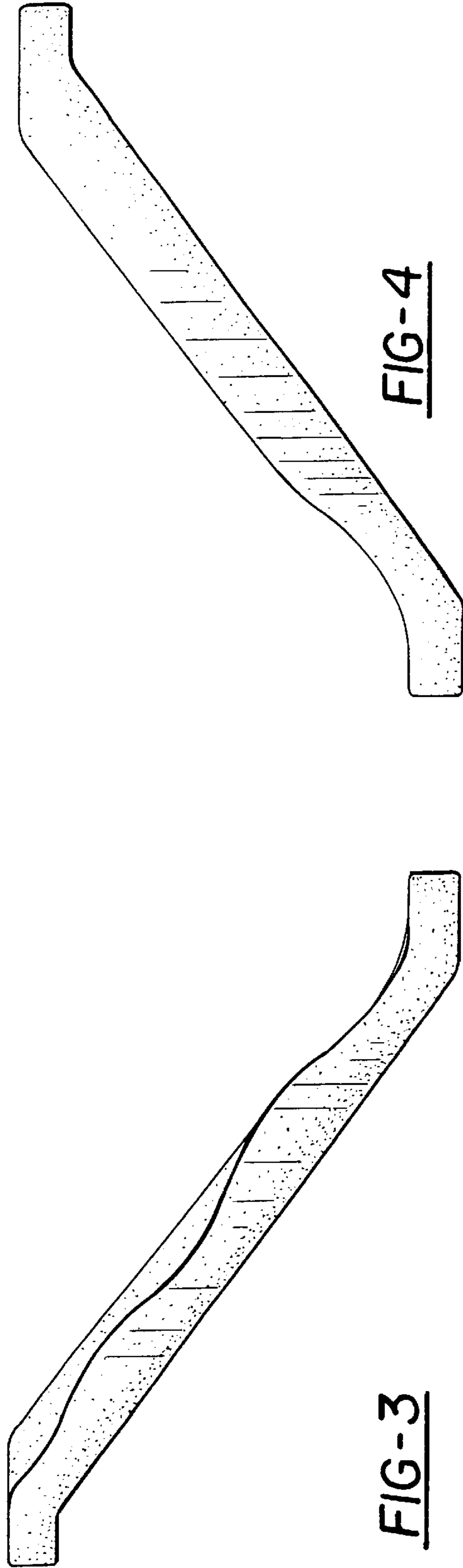


FIG-2





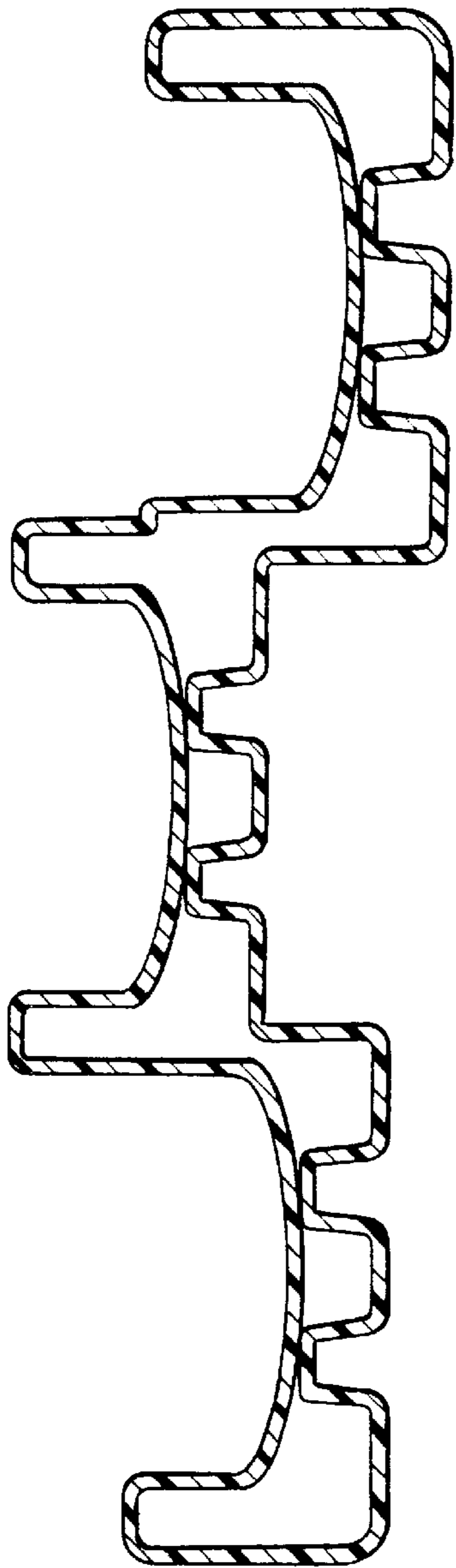


FIG-6

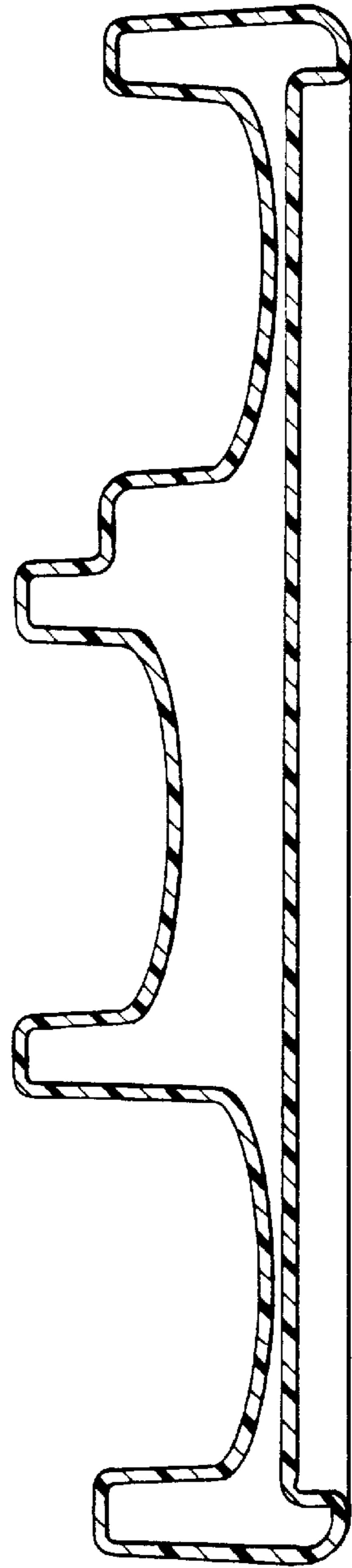


FIG-7

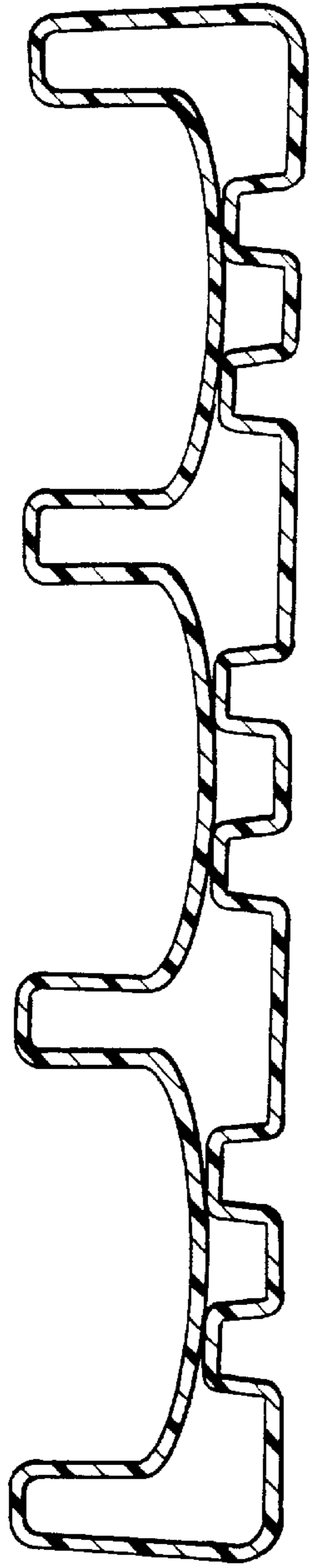


FIG-8

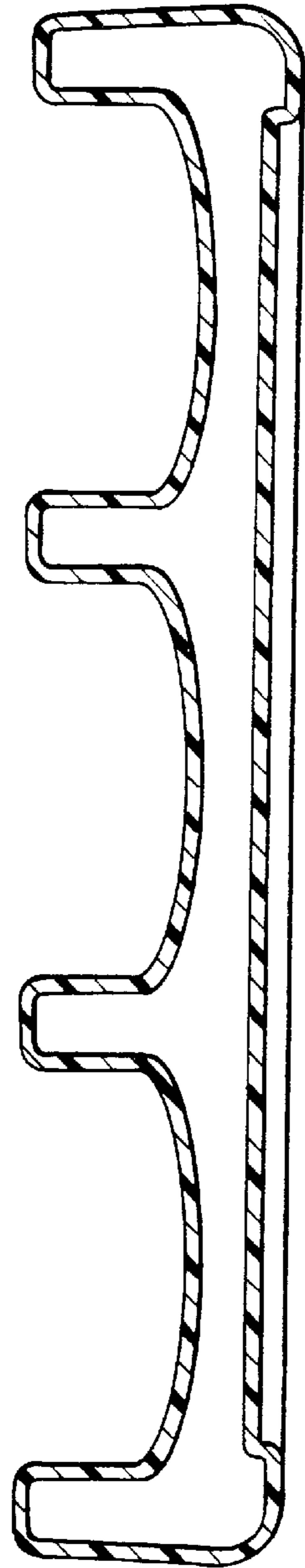


FIG-9