



US00D460510S

(12) **United States Design Patent**
Rawcliffe

(10) **Patent No.:** **US D460,510 S**

(45) **Date of Patent:** **** Jul. 16, 2002**

(54) **HANDLE FOR SPORTING EQUIPMENT
SUCH AS A SNOW BOARD**

Primary Examiner—Mitchell Siegel
(74) *Attorney, Agent, or Firm*—Martin Fleit; Paul D. Bianco

(75) **Inventor:** **Nick Rawcliffe**, London (GB)

(57) **CLAIM**

(73) **Assignee:** **Royal College of Art**, London (GB)

The ornamental design for a handle for sporting equipment such as a snow board, as shown and described.

(**) **Term:** **14 Years**

DESCRIPTION

(21) **Appl. No.:** **29/144,157**

FIG. 1 is a perspective view of a handle for sporting equipment such as a snow board showing its new design; FIG. 2 is a front view of a handle for sporting equipment such as a snow board shown in FIG. 1; FIG. 3 is a rear view of a handle for sporting equipment such as a snow board shown in FIG. 1; FIG. 4 is a left view of a handle for sporting equipment such as a snow board shown in FIG. 1; FIG. 5 is a right view of a handle for sporting equipment such as a snow board shown in FIG. 1; FIG. 6 is a bottom view of a handle for sporting equipment such as a snow board shown in FIG. 1; and, FIG. 7 is a top view of a handle for sporting equipment such as a snow board shown in FIG. 1.

(22) **Filed:** **Jun. 27, 2001**

(51) **LOC (7) Cl.** **21-02**

(52) **U.S. Cl.** **D21/777**

(58) **Field of Search** D21/756, 770,
D21/771, 777, 423; 280/11.2, 11.22, 87.021,
87.041, 87.042, 87.043

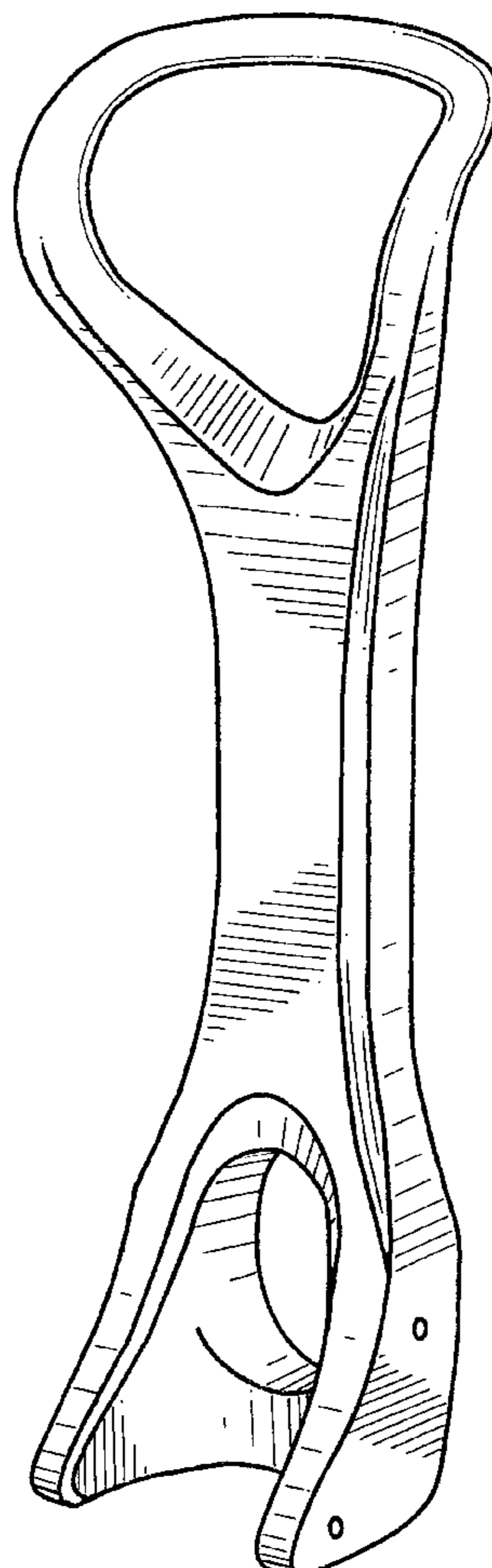
(56) **References Cited**

U.S. PATENT DOCUMENTS

4,061,351	A	*	12/1977	Bangle	280/87.042
4,552,372	A	*	11/1985	Jones	280/87.041
D295,991	S	*	5/1988	Hanna et al.	D21/423
D410,058	S	*	5/1999	Friend	D21/771

* cited by examiner

1 Claim, 4 Drawing Sheets



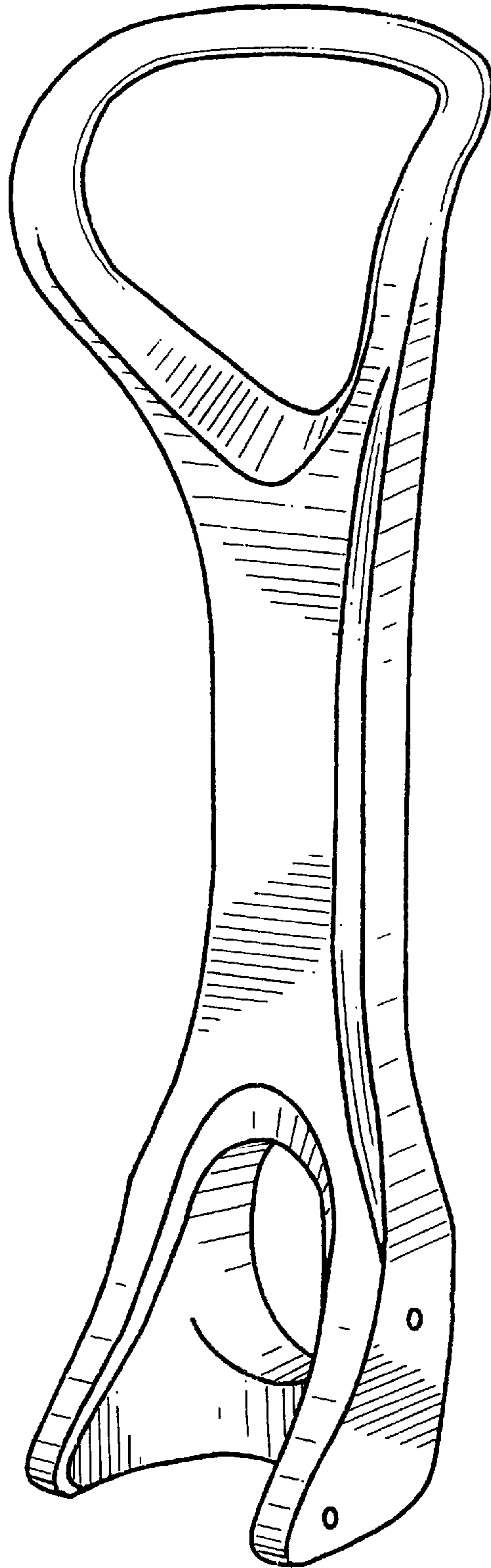


FIG.1

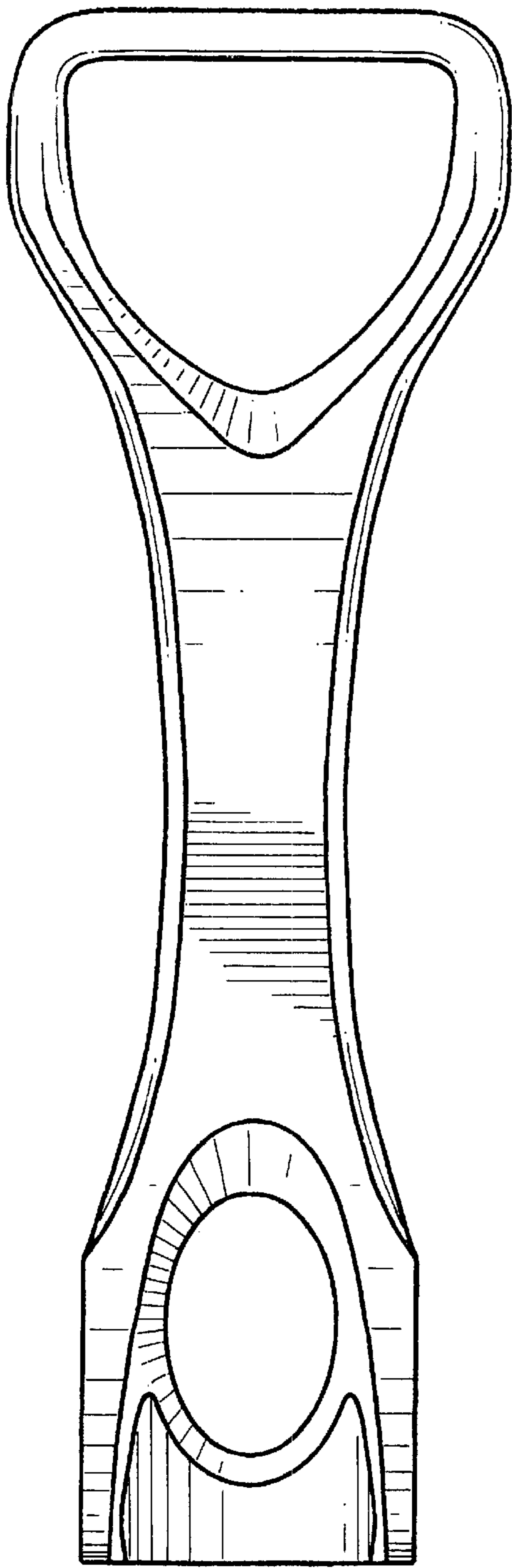


FIG. 2

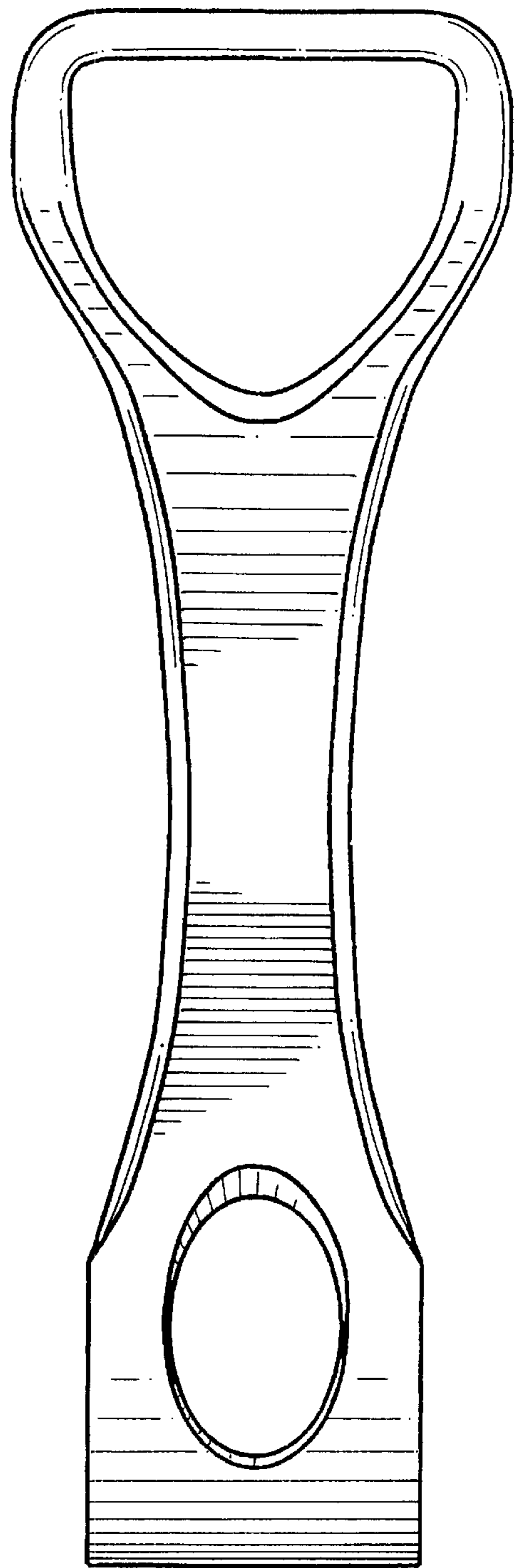


FIG. 3

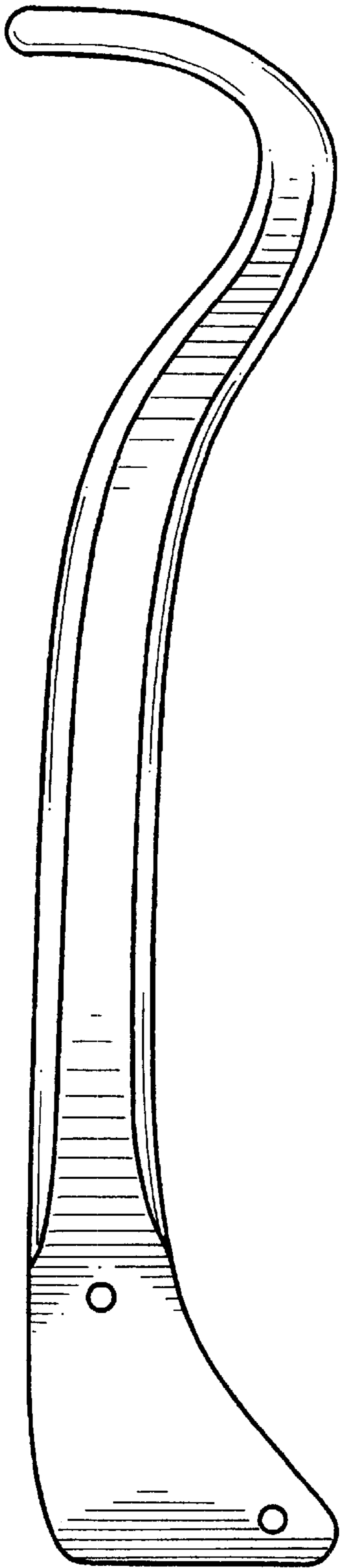


FIG. 4

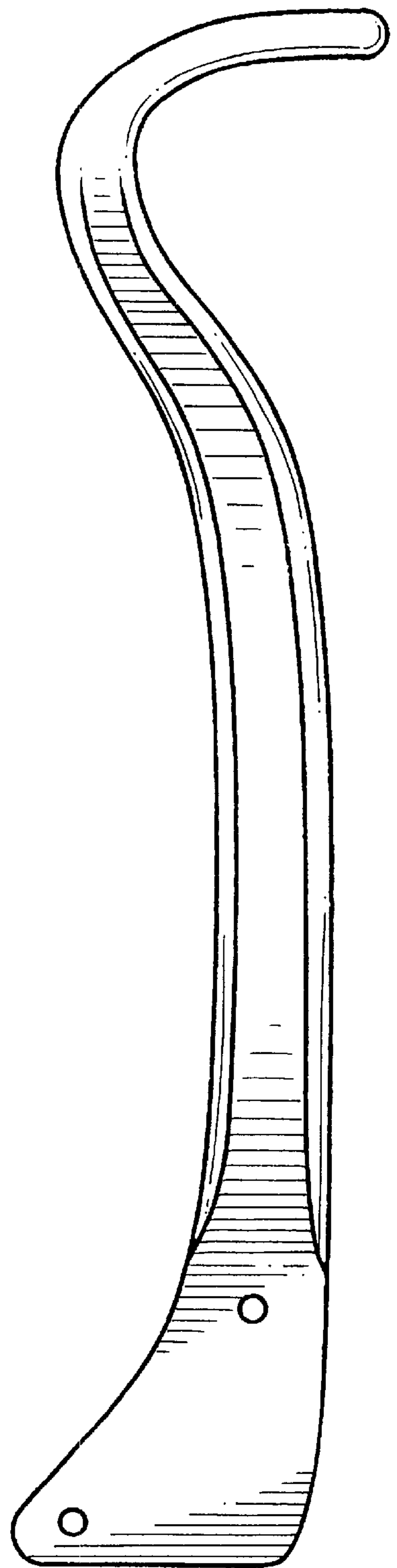


FIG. 5

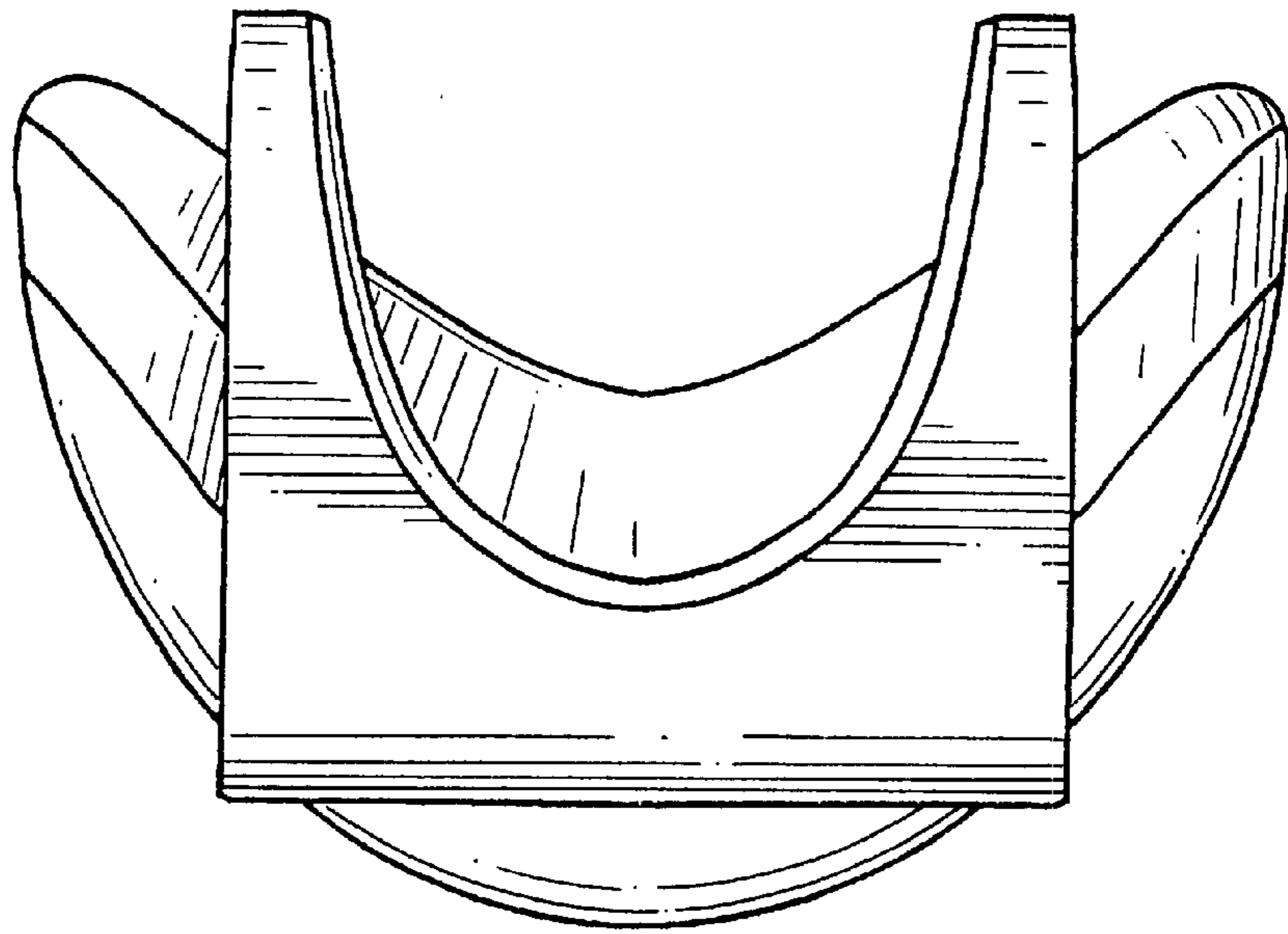


FIG. 6

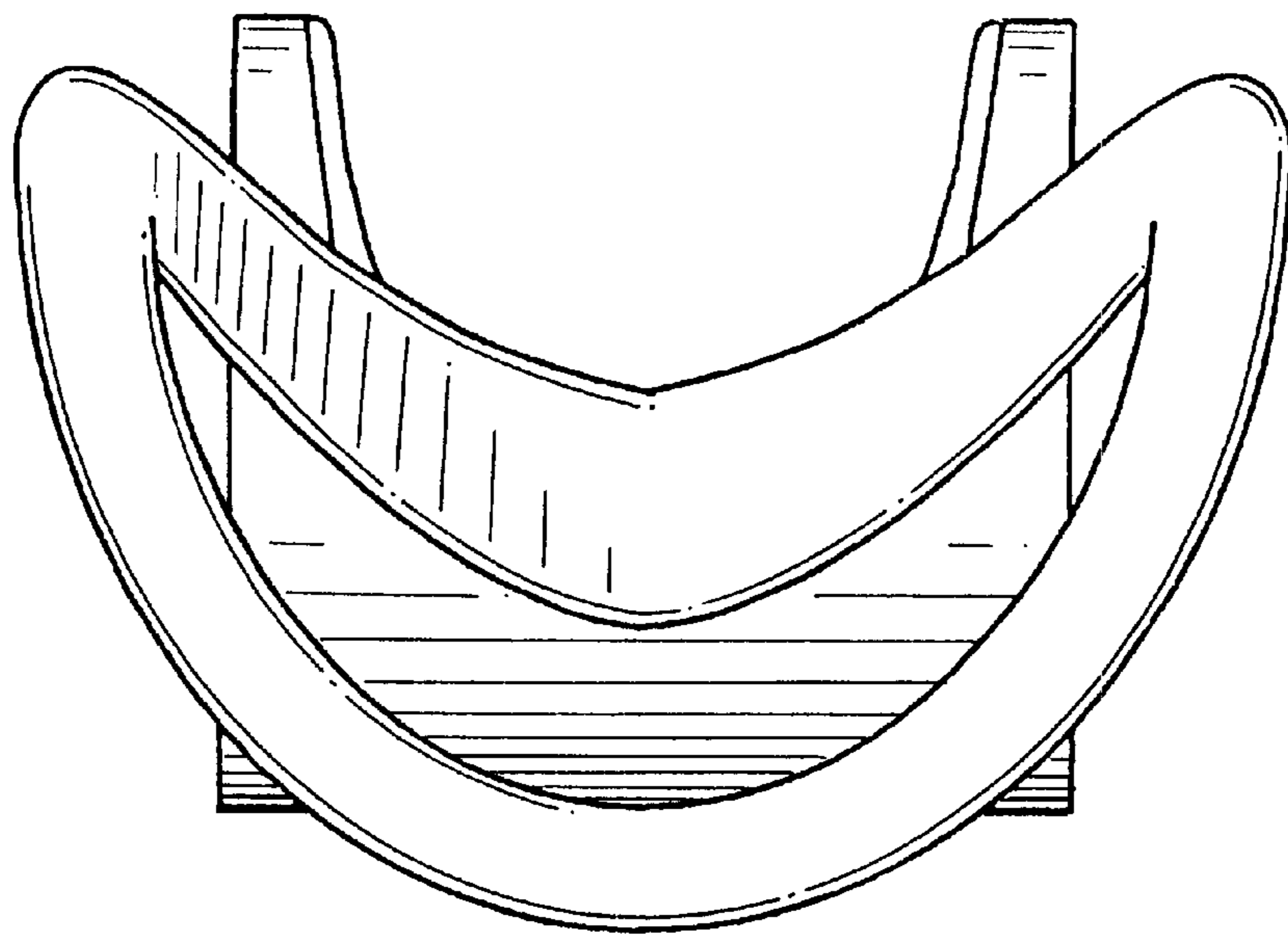


FIG. 7