



US00D460507S

(12) **United States Design Patent**  
**Stewart**

(10) **Patent No.:** **US D460,507 S**

(45) **Date of Patent:** **\*\* Jul. 16, 2002**

(54) **EXERCISE DEVICE WITH A PIVOTING PLATFORM**

5,389,054 A \* 2/1995 Dorman ..... 482/34  
5,755,651 A 5/1998 Homyonfer et al. .... 482/146

(76) **Inventor:** **Roger K. Stewart**, 320 Mileham Dr.,  
Orlando, FL (US) 32835

**FOREIGN PATENT DOCUMENTS**

DE 2537461 3/1977

(\*\*) **Term:** **14 Years**

\* cited by examiner

(21) **Appl. No.:** **29/141,928**

*Primary Examiner*—Philip S. Hyder

(74) *Attorney, Agent, or Firm*—Stephen R. Greiner

(22) **Filed:** **May 16, 2001**

(57) **CLAIM**

(51) **LOC (7) Cl.** ..... **21-02**

The ornamental design for an exercise device with a pivoting platform, as shown and described.

(52) **U.S. Cl.** ..... **D21/688**

(58) **Field of Search** ..... D21/662, 686,  
D21/688; 482/80, 23, 34, 145, 146, 147

**DESCRIPTION**

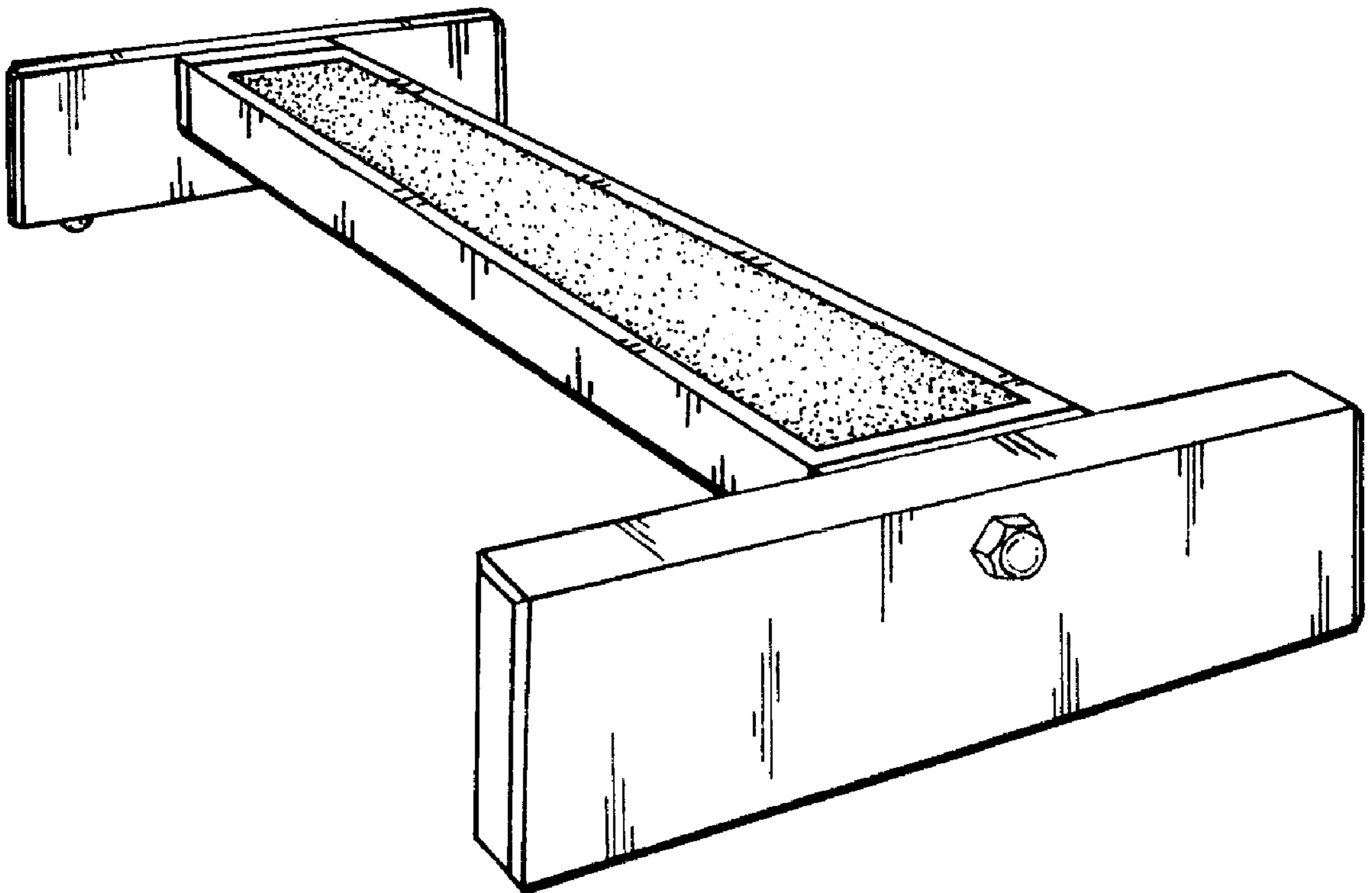
(56) **References Cited**

FIG. 1 is a perspective view of an exercise device with a pivoting platform showing my new design;  
FIG. 2 is a right side elevational view with the left side being a mirror image thereof;  
FIG. 3 is a front elevational view thereof;  
FIG. 4 is a rear elevational view thereof;  
FIG. 5 is a top view thereof;  
FIG. 6 is a bottom view thereof; and,  
FIG. 7 is a cross-sectional view taken on line 7—7 of FIG. 5.

**U.S. PATENT DOCUMENTS**

735,319 A	8/1903	Urwick	
2,041,693 A	5/1936	Boltz et al.	
3,525,522 A	8/1970	Piller	
3,741,540 A	6/1973	Shimizu	
3,806,118 A	* 4/1974	Way	273/449
4,105,201 A	* 8/1978	L'Ecuyer et al.	482/34
4,270,749 A	6/1981	Hebern	
4,694,684 A	9/1987	Campbell, III	482/80
D308,698 S	* 6/1990	Dorman	482/34

**1 Claim, 2 Drawing Sheets**



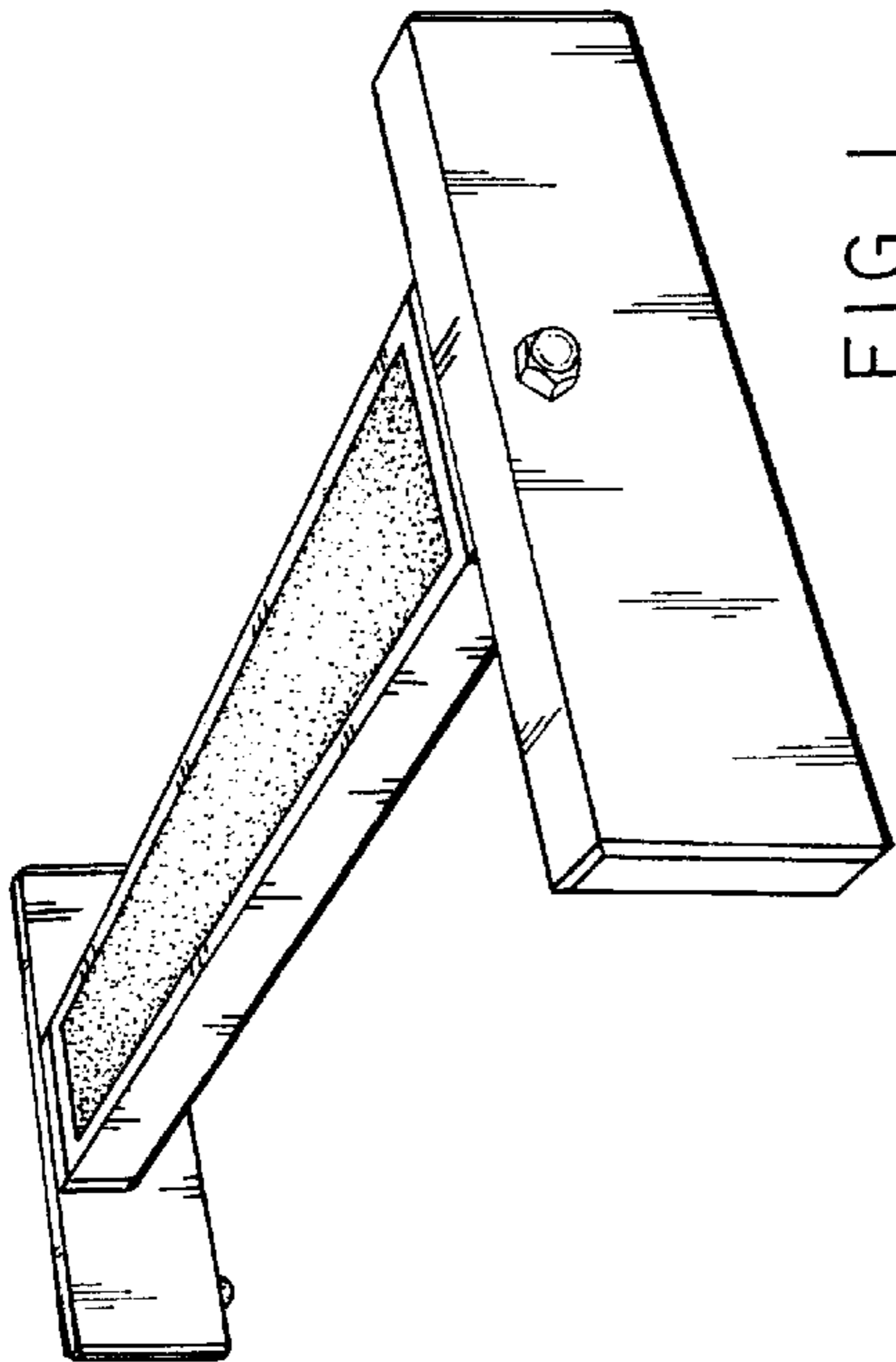


FIG. 1

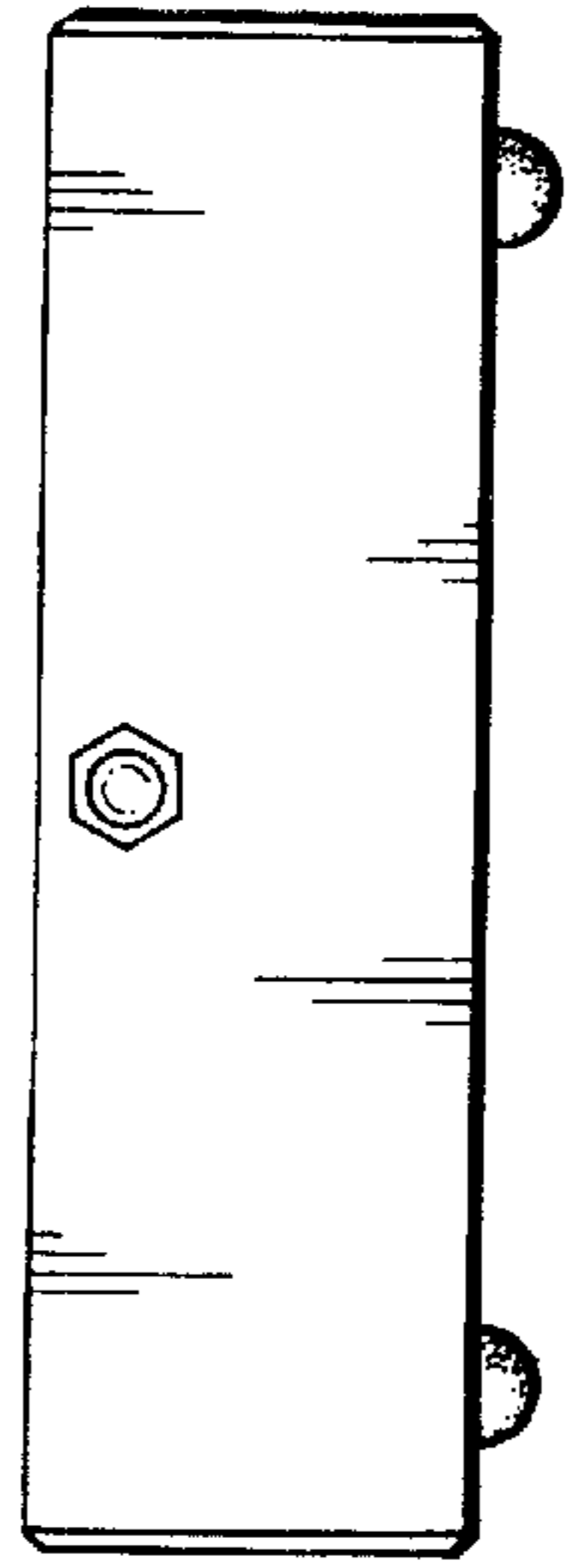


FIG. 2

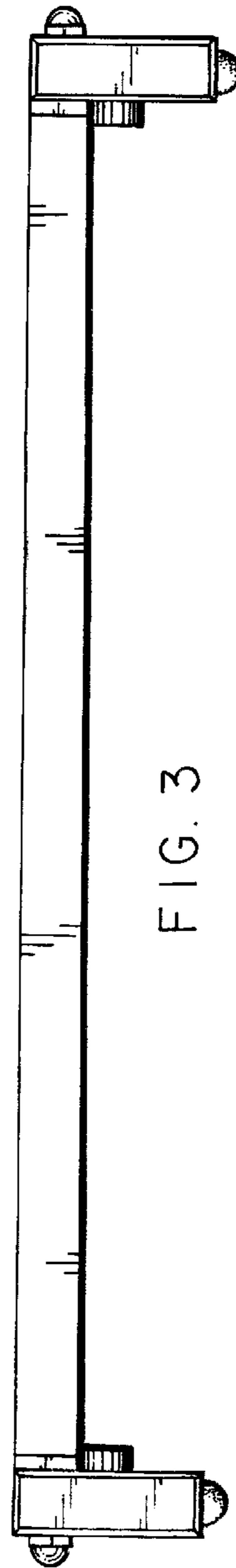


FIG. 3

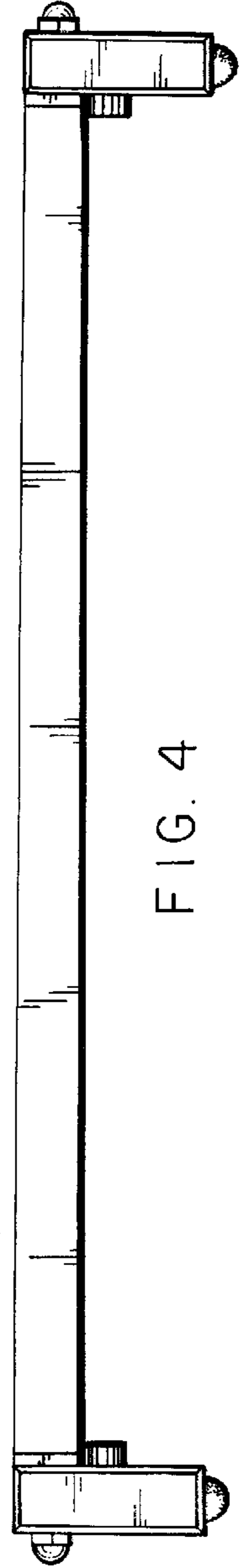


FIG. 4

