



US00D460499S

(12) **United States Design Patent**
Wu

(10) **Patent No.:** **US D460,499 S**

(45) **Date of Patent:** **** Jul. 16, 2002**

(54) **FRONT BUMPER FOR A LEISURE CAR FOR CHILDREN**

(76) **Inventor:** **Jung-Jyh Wu**, No. 20, Da Yeou 1st Street, Da Lian Shiang, Kaohsiung Hsien (TW)

(**) **Term:** **14 Years**

(21) **Appl. No.:** **29/149,935**

(22) **Filed:** **Oct. 23, 2001**

(51) **LOC (7) Cl.** **21-01**

(52) **U.S. Cl.** **D21/433; D21/561**

(58) **Field of Search** D21/424-435, D21/533, 548-562; D12/16, 163, 169, 170, 87; 446/424, 425, 427, 433, 454, 456, 457, 462, 465, 470, 471; 280/87.01, 87.021, 828; 293/13, 15, 17, 20; 296/185, 186, 190

(56) **References Cited**

U.S. PATENT DOCUMENTS

D300,011 S	*	2/1989	Oba	D12/87
D395,023 S	*	6/1998	Hikida	D12/16
D410,502 S	*	6/1999	Harrod	D21/433
D417,244 S	*	11/1999	Yeh	D21/433

D417,245 S	*	11/1999	Wang	D21/433
D419,932 S	*	2/2000	Horbury	D12/169
D424,630 S	*	5/2000	Tasy	D21/433
D426,270 S	*	6/2000	Rubau	D21/433
D432,062 S	*	10/2000	Larson	D12/169
D436,386 S	*	1/2001	Huntsberger	D21/424
D438,150 S	*	2/2001	Yokomaku	D12/169
D447,452 S	*	9/2001	Im	D12/169

* cited by examiner

Primary Examiner—Raphael Barkai

(74) *Attorney, Agent, or Firm*—Rosenberg, Klein & Lee

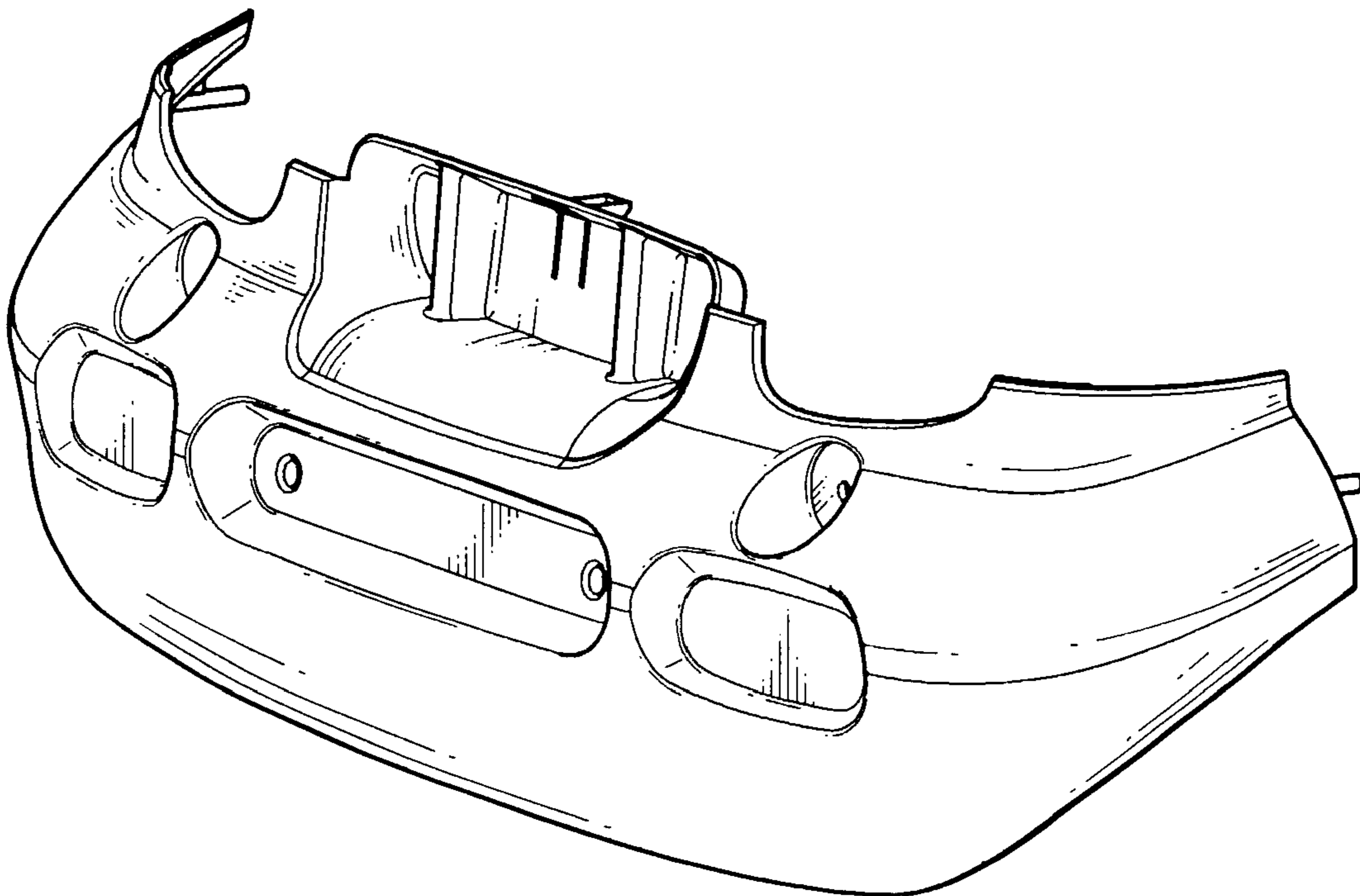
(57) **CLAIM**

The ornamental design for a front bumper for a leisure car for children, as shown and described.

DESCRIPTION

FIG. 1 is a perspective view of a front bumper for a leisure car for children showing my design; FIG. 2 is a front elevational view thereof; FIG. 3 is a rear elevational view thereof; FIG. 4 is a left elevational view thereof; FIG. 5 is a right elevational view thereof; FIG. 6 is a top plan view thereof; and, FIG. 7 is a bottom plan view thereof.

1 Claim, 4 Drawing Sheets



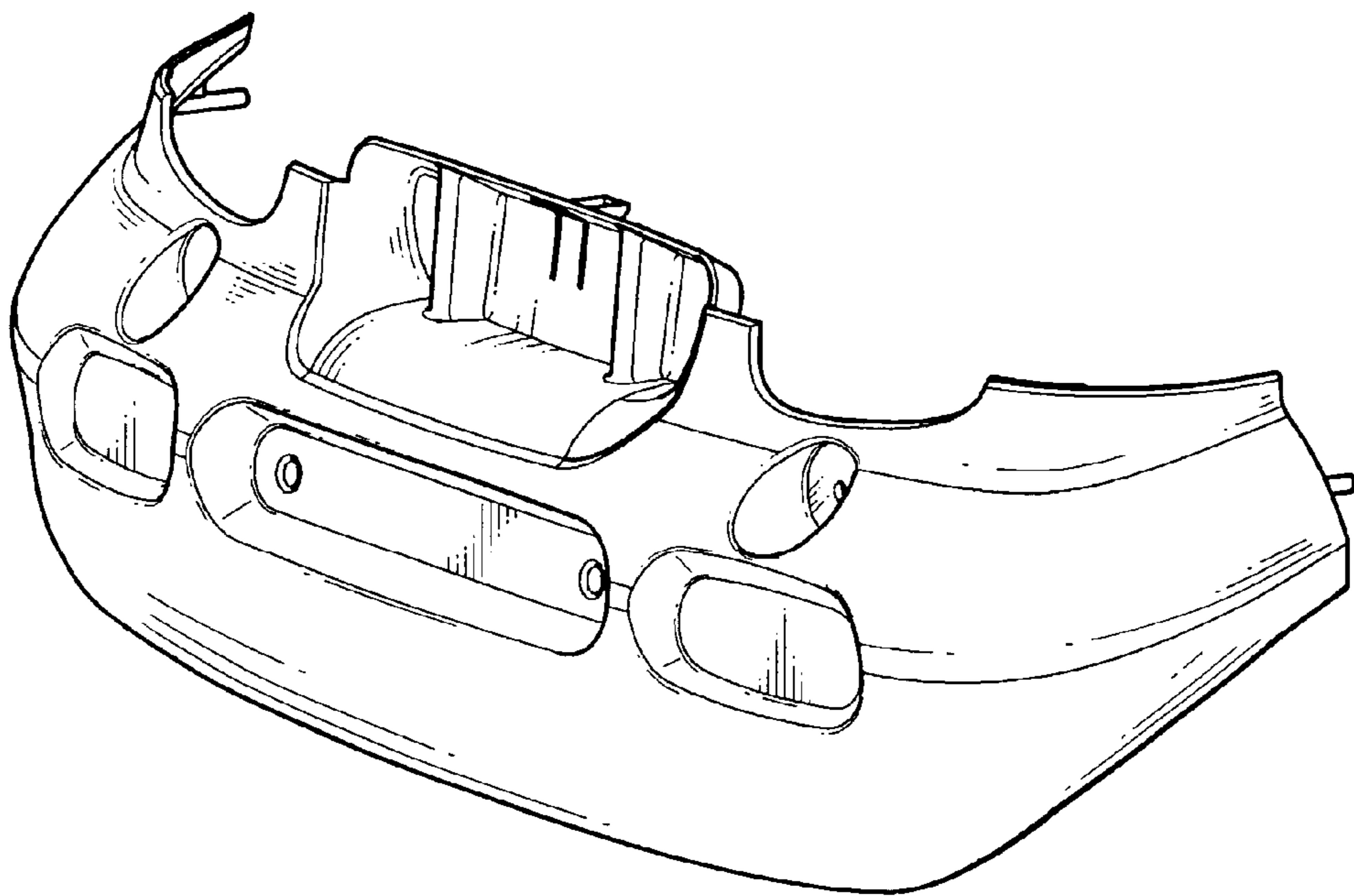


Fig. 1

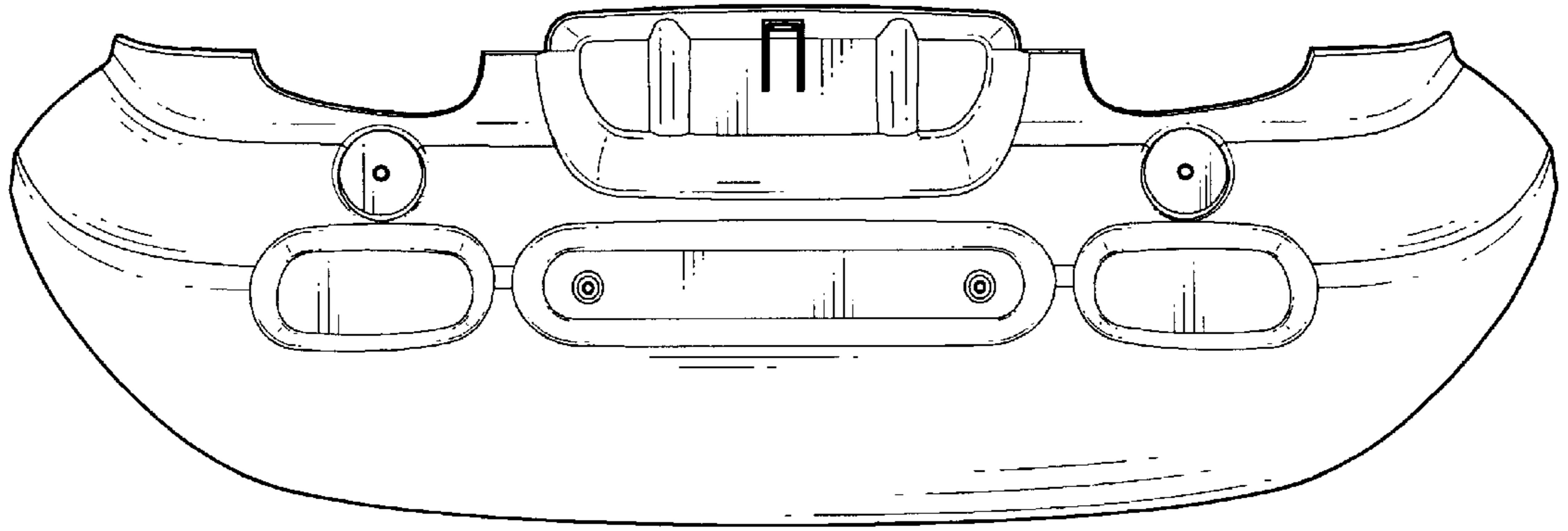


Fig. 2

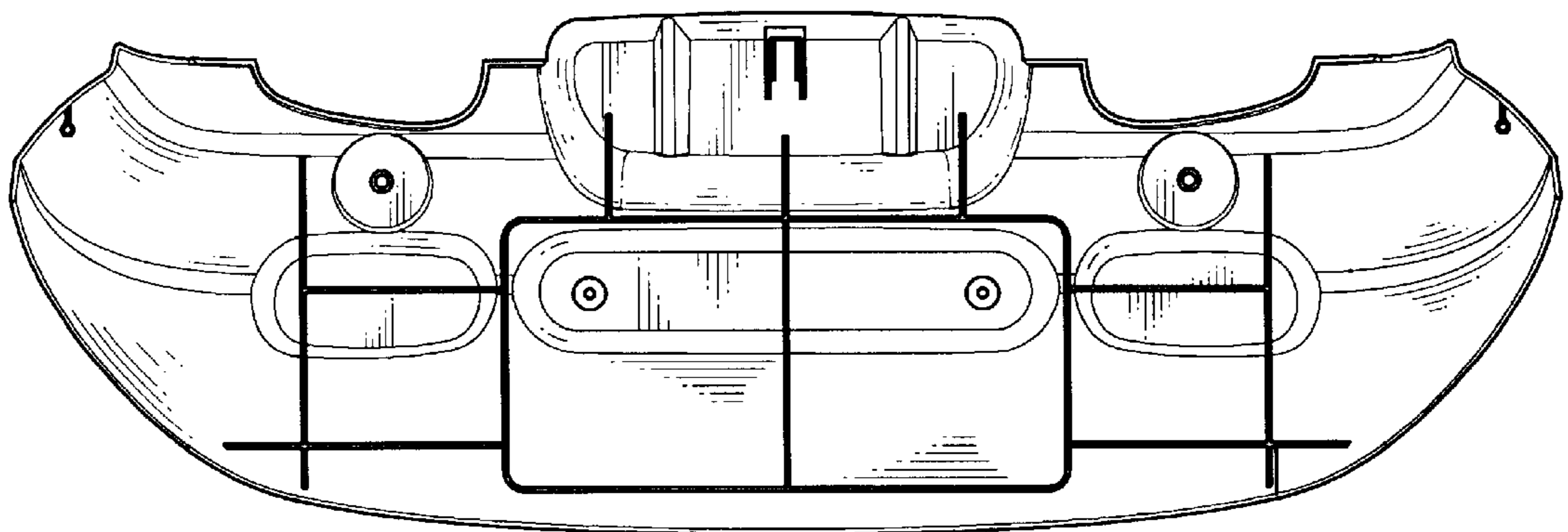


Fig. 3

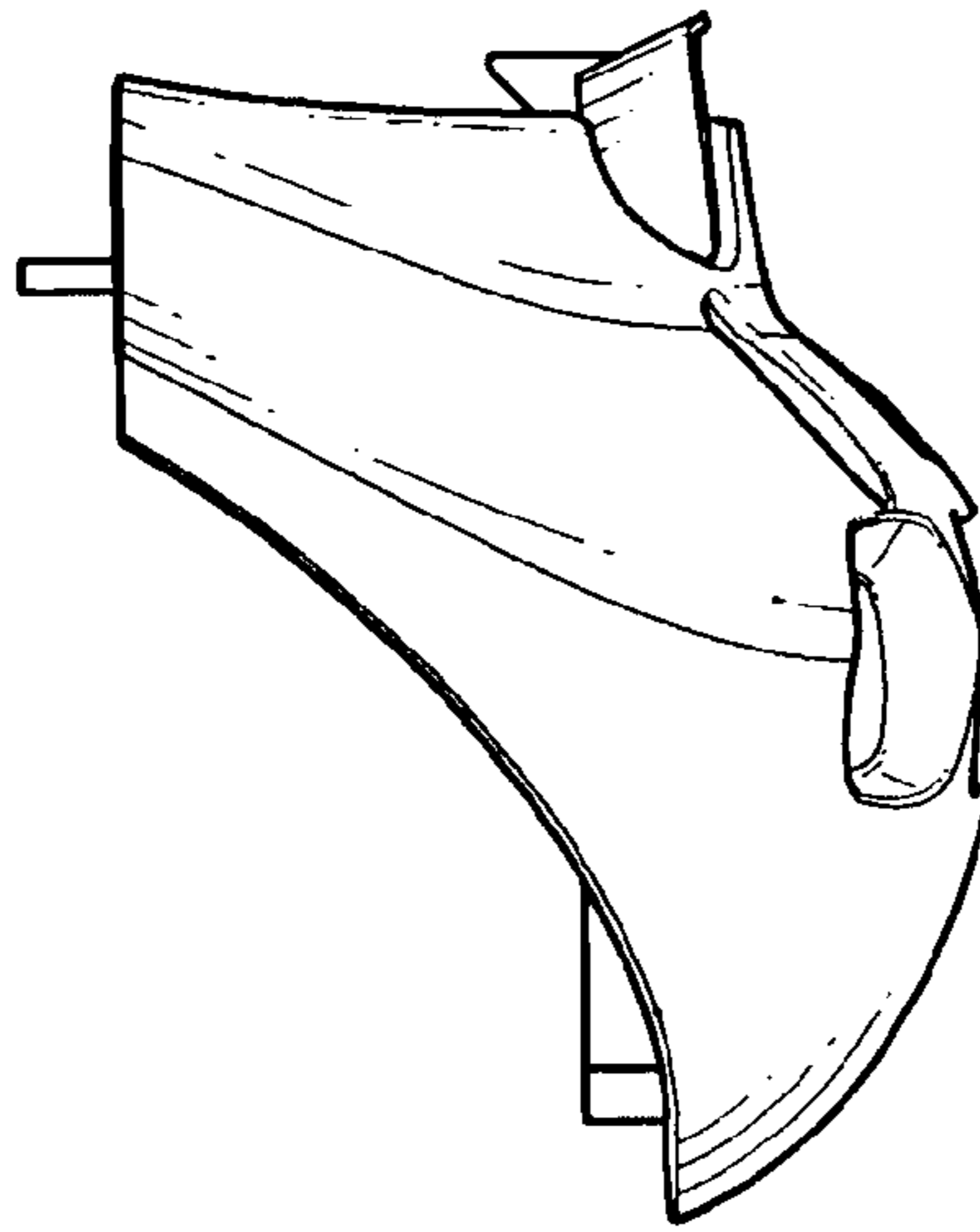


Fig. 4

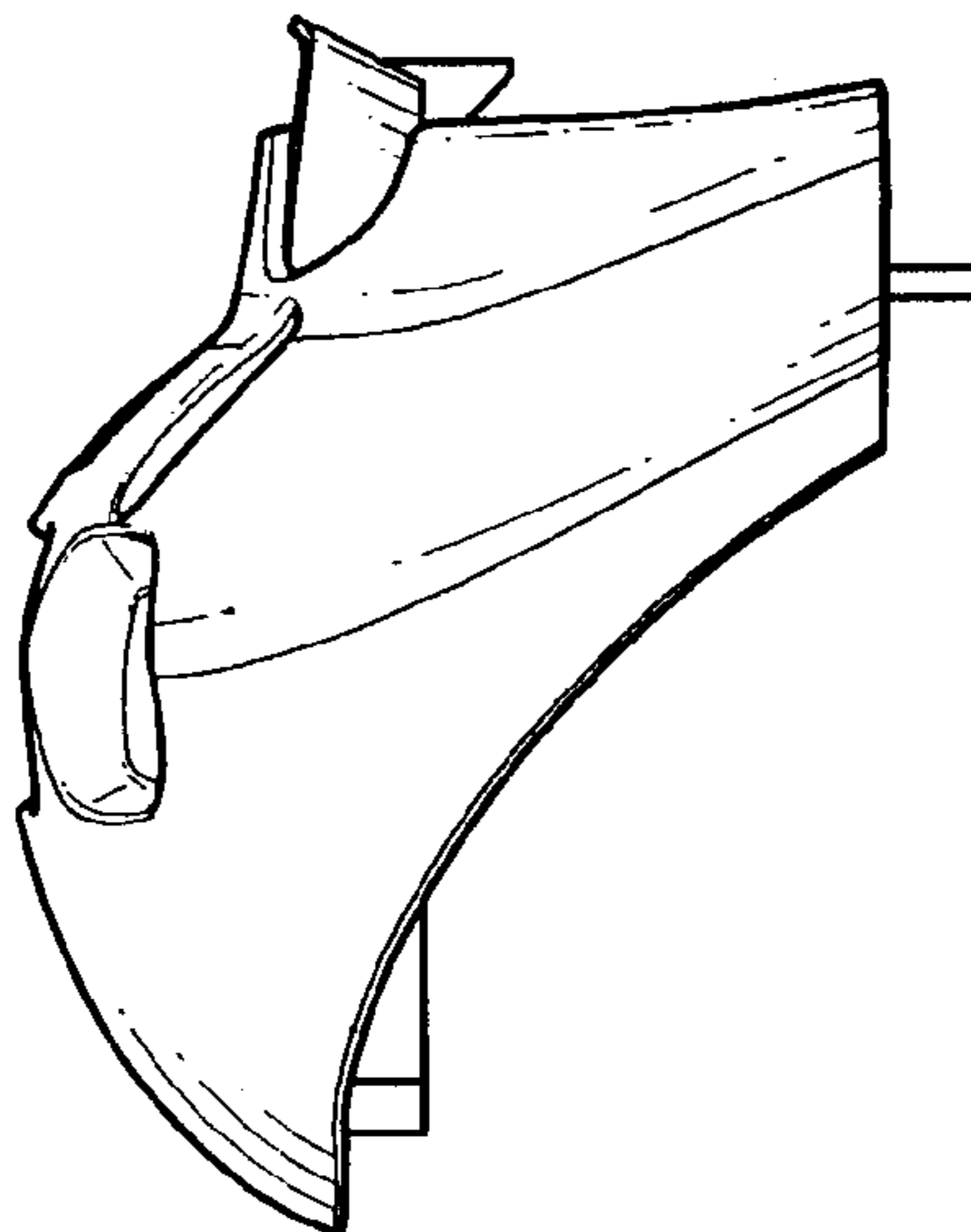


Fig. 5

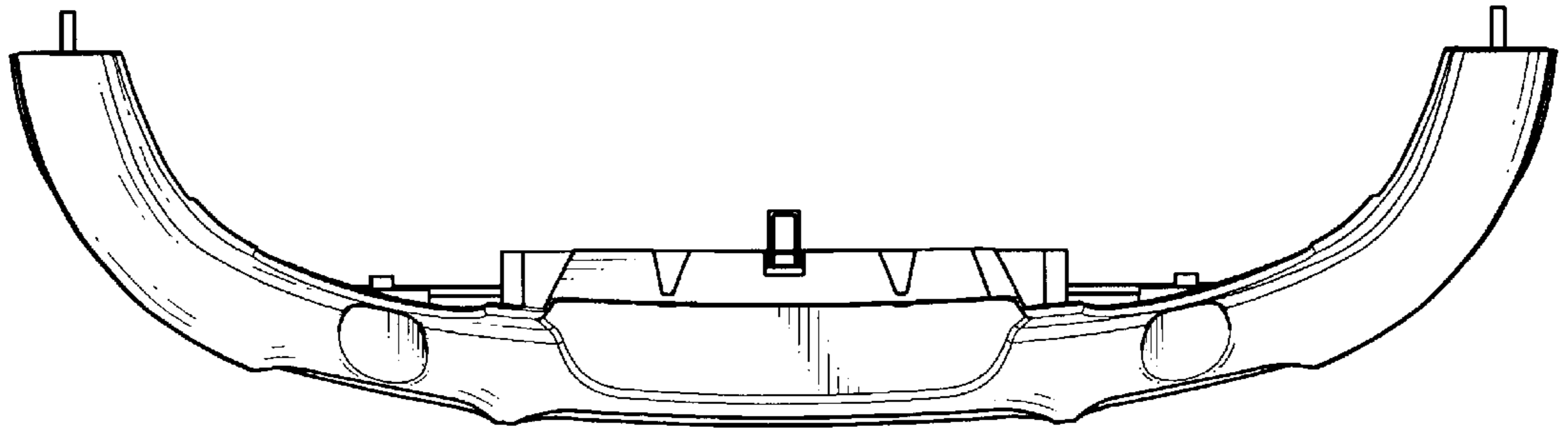


Fig. 6

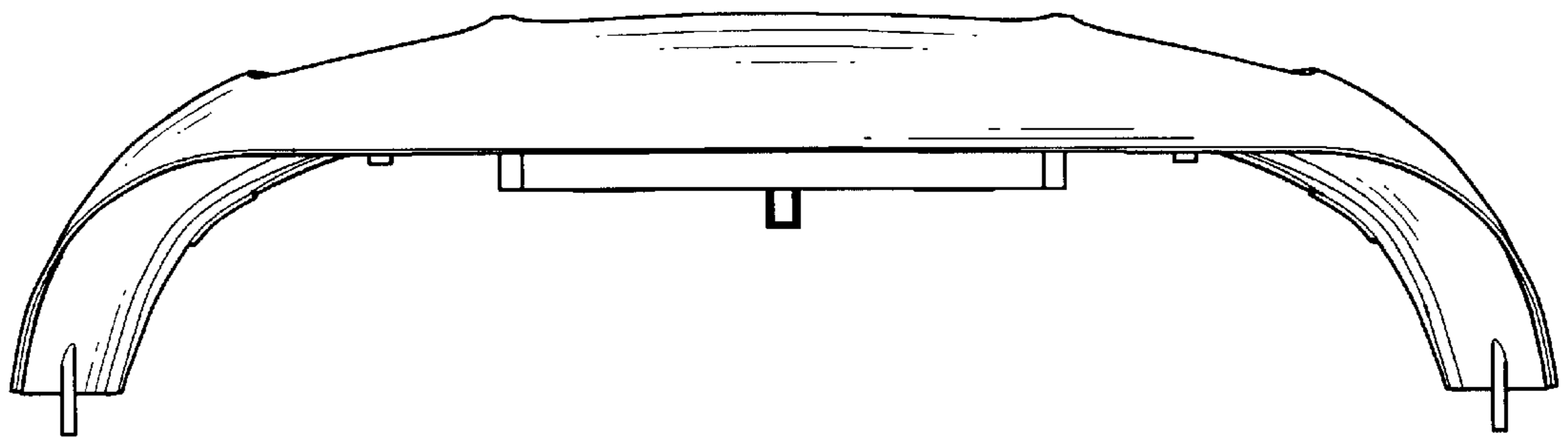


Fig. 7