



US00D460495S

(12) **United States Design Patent**  
**Naghi et al.**

(10) **Patent No.:** **US D460,495 S**  
(45) **Date of Patent:** **\*\* Jul. 16, 2002**

(54) **MAGNIFIER AND LIGHT ATTACHMENT FOR PORTABLE ELECTRONIC OR COMPUTING DEVICE**

(75) Inventors: **Herschel Naghi**, Los Angeles; **Amir Navid**, Tarzana, both of CA (US)

(73) Assignee: **Technology Creations, Inc.**, Culver City, CA (US)

(\*\*) Term: **14 Years**

(21) Appl. No.: **29/143,603**

(22) Filed: **Jun. 15, 2001**

(51) **LOC (7) Cl.** ..... **21-01**

(52) **U.S. Cl.** ..... **D21/333**

(58) **Field of Search** ..... D21/324, 329, D21/330, 333, 385; 273/148 B, 148 A; 463/1, 29-35, 46, 47, 48; D26/51, 52, 72, 24; 362/33, 26, 86, 135, 257, 362, 365, 101, 109; D14/496, 125

(56) **References Cited**

**U.S. PATENT DOCUMENTS**

1,651,307 A	11/1927	Wilkinson	
3,065,339 A	11/1962	Fahey, Jr. et al. ....	240/25
D238,959 S	2/1976	Kurokawa et al. ....	D48/20 F
D251,687 S	4/1979	Kurokawa	D48/20 F
4,312,507 A *	1/1982	Smith et al. ....	273/237

(List continued on next page.)

**FOREIGN PATENT DOCUMENTS**

GB	2 113 818 A	12/1981
WO	WO 92/06327	4/1992

**OTHER PUBLICATIONS**

Amazon.com product web page printout for "Adventure Book Light and Flashlight" by Lumatec; <http://www.amazon.com/exec/obidos/ASIN/b00000IJZM/104-9549104-0986847>; printed Mar. 2, 2000.

Book light product internet web page printout; [http://store1.yimg.com/I/parksherman\\_1550\\_902141](http://store1.yimg.com/I/parksherman_1550_902141); printed Mar. 2, 2000.

"Designed Halogen Lamps With Multiple Features," *Taiwan Lighting*, Feb. 1997, p. 69.

Igo.com product web page printout for "NBL-100 Notebook Light" by Interex; [http://www.igo.com/cgi-bin/ncommerce3/Product\\_Display?prmenbr=1&prfnbr=522530](http://www.igo.com/cgi-bin/ncommerce3/Product_Display?prmenbr=1&prfnbr=522530); printed Jul. 21, 2000.

Sierra Gold Marketing "SGM28367" Clip On Light product web page printout; <http://www.sgm.simplenet.com/boutique/special/sgm28367.htm>; printed Mar. 2, 2000.

"The Ittybitty Book Light" internet web page printout; <http://www.zelco.com/10013.jpg>; printed Mar. 2, 2000.

"Ultimate Palmtop Computer Lights®" internet web page printout; <http://www.std.com/sfl/3.pct.html>; printed Mar. 2, 2000.

*Primary Examiner*—Prabakar Deshmukh

(74) *Attorney, Agent, or Firm*—Procopio, Cory, Hargreaves & Savitch, LLP

(57) **CLAIM**

The ornamental design for a magnifier and light attachment for portable electronic or computing device, as shown and described.

**DESCRIPTION**

FIG. 1 is a front perspective view of the magnifier and light attachment for a portable electronic or computing device, shown as used with such a device;

FIG. 2 is a front perspective view thereof with a magnification hood removed;

FIG. 3 is a top plan view thereof;

FIG. 4 is a front elevational view thereof;

FIG. 5 is a bottom plan view thereof;

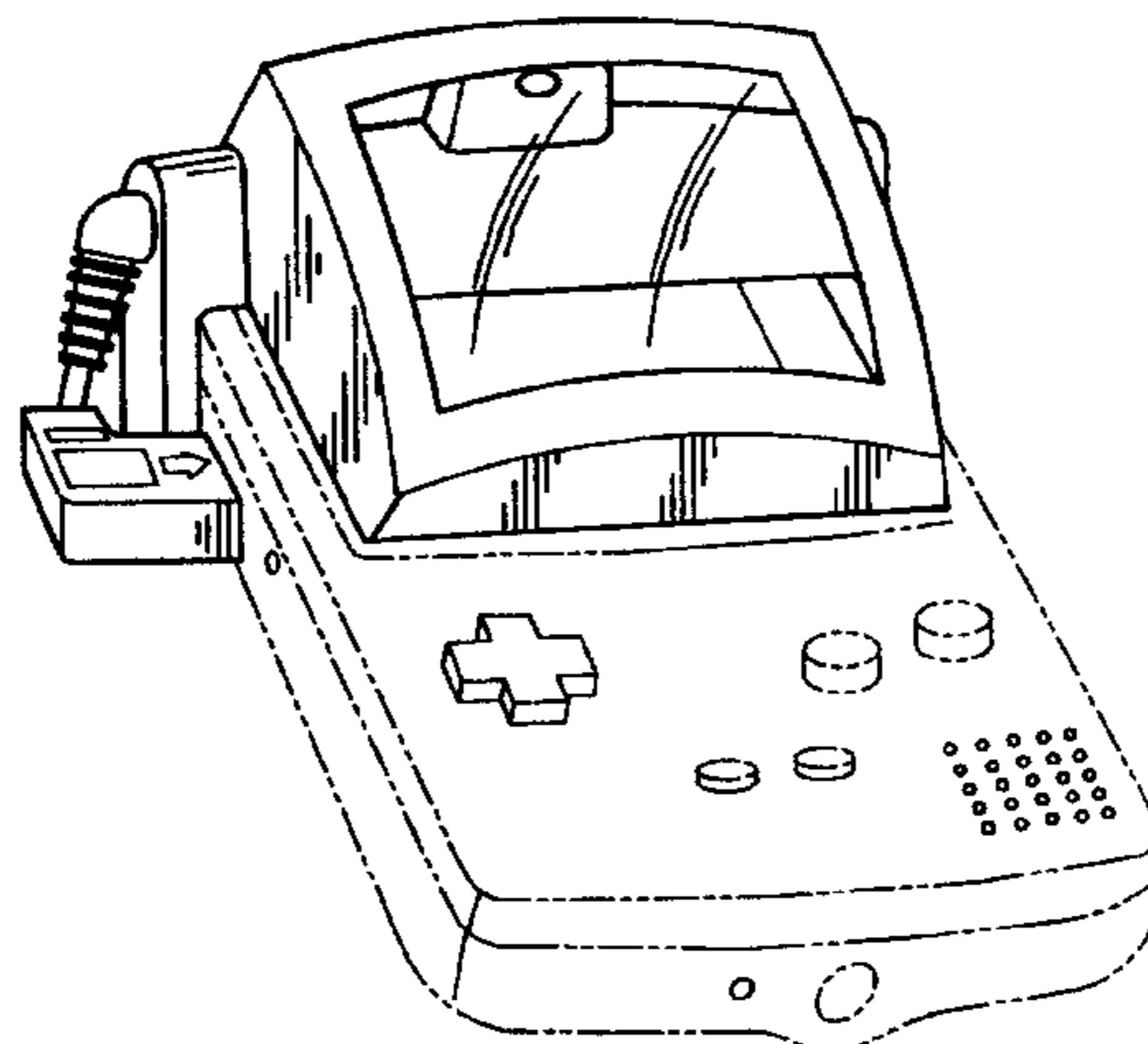
FIG. 6 is a right side elevational view thereof;

FIG. 7 is a rear elevational view thereof; and,

FIG. 8 is a left side elevational view thereof.

The broken line showings in FIGS. 1 and 2 are for illustrative purposes only and form no part of the claimed design.

**1 Claim, 4 Drawing Sheets**



# US D460,495 S

Page 2

## U.S. PATENT DOCUMENTS

4,589,659 A *	5/1986	Yokoi et al. ....	463/34	D377,840 S	2/1997	Chang .....	D26/62
4,893,222 A *	1/1990	Mintzer .....	362/109	5,615,945 A	4/1997	Tseng .....	362/226
5,091,832 A	2/1992	Tortola et al. ....	362/109	5,707,137 A	1/1998	Hon .....	362/183
5,122,937 A	6/1992	Stoudemire .....	362/109	5,803,572 A	9/1998	Brada .....	362/23
5,122,941 A	6/1992	Gross et al. ....	362/276	5,868,487 A	2/1999	Polley et al. ....	362/33
5,136,477 A	8/1992	Lemmey .....	362/198	5,899,553 A	5/1999	Howell .....	362/84
5,172,974 A	12/1992	Riban .....	362/109	D416,948 S *	11/1999	Soga .....	D21/333
5,183,325 A	2/1993	Hurdle .....	362/109	D418,240 S	12/1999	Sherman .....	D26/63
5,188,448 A *	2/1993	Siriani et al. ....	362/109	D426,860 S *	6/2000	Ho .....	D21/333
5,203,622 A	4/1993	Sottile .....	362/109	D435,679 S	12/2000	Naghi et al. ....	D26/103
5,325,280 A *	6/1994	Tortola et al. ....	273/148 B X	D435,871 S *	1/2001	Yu .....	D21/333
5,379,201 A	1/1995	Friedman .....	362/191	D439,353 S *	3/2001	Neiser .....	D21/333
5,486,986 A	1/1996	Brada .....	362/85	D448,426 S *	9/2001	Yu .....	D21/333
5,590,950 A	1/1997	Hildebrand .....	362/109				

\* cited by examiner

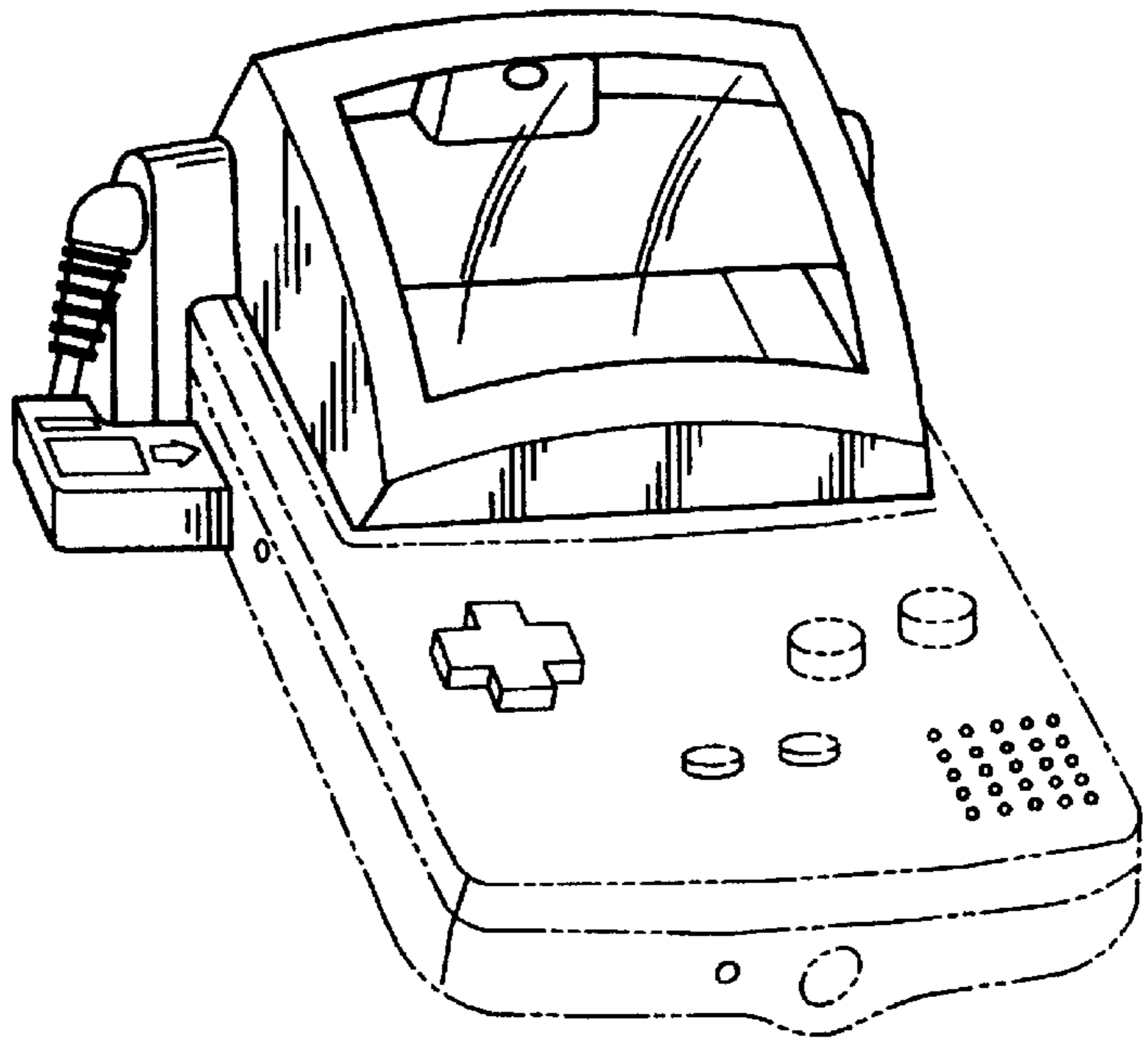


FIG. 1

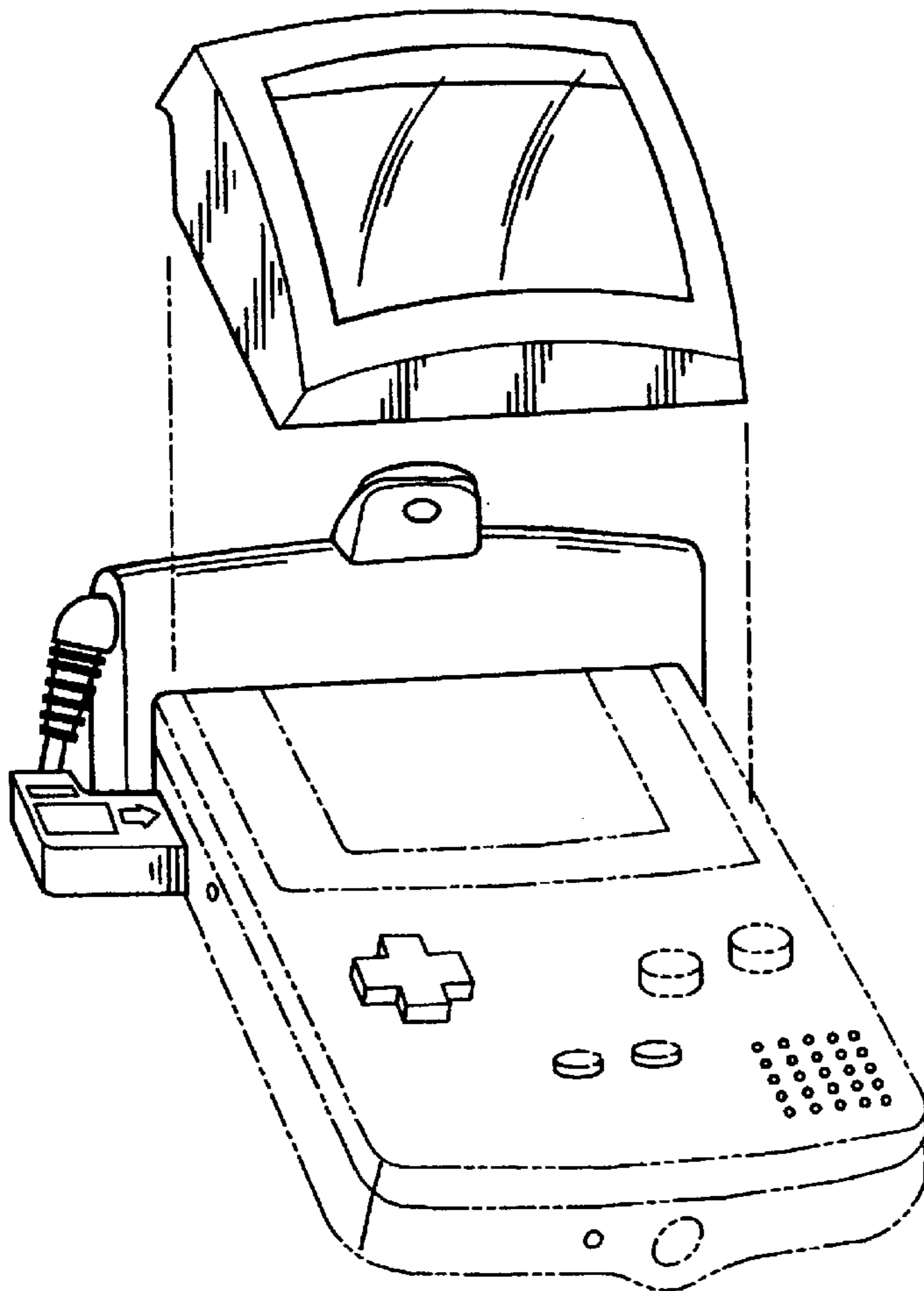


FIG. 2

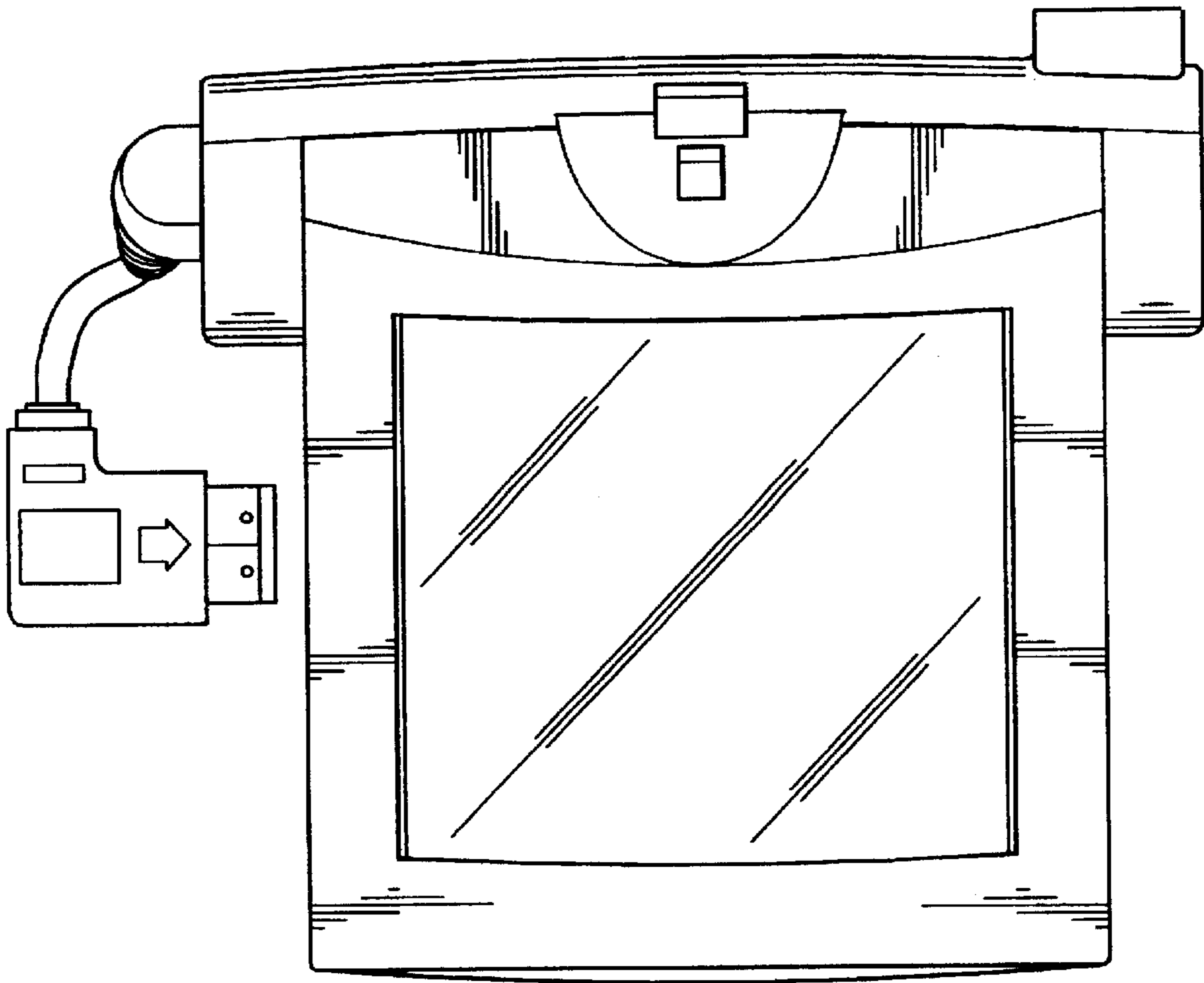


FIG. 3

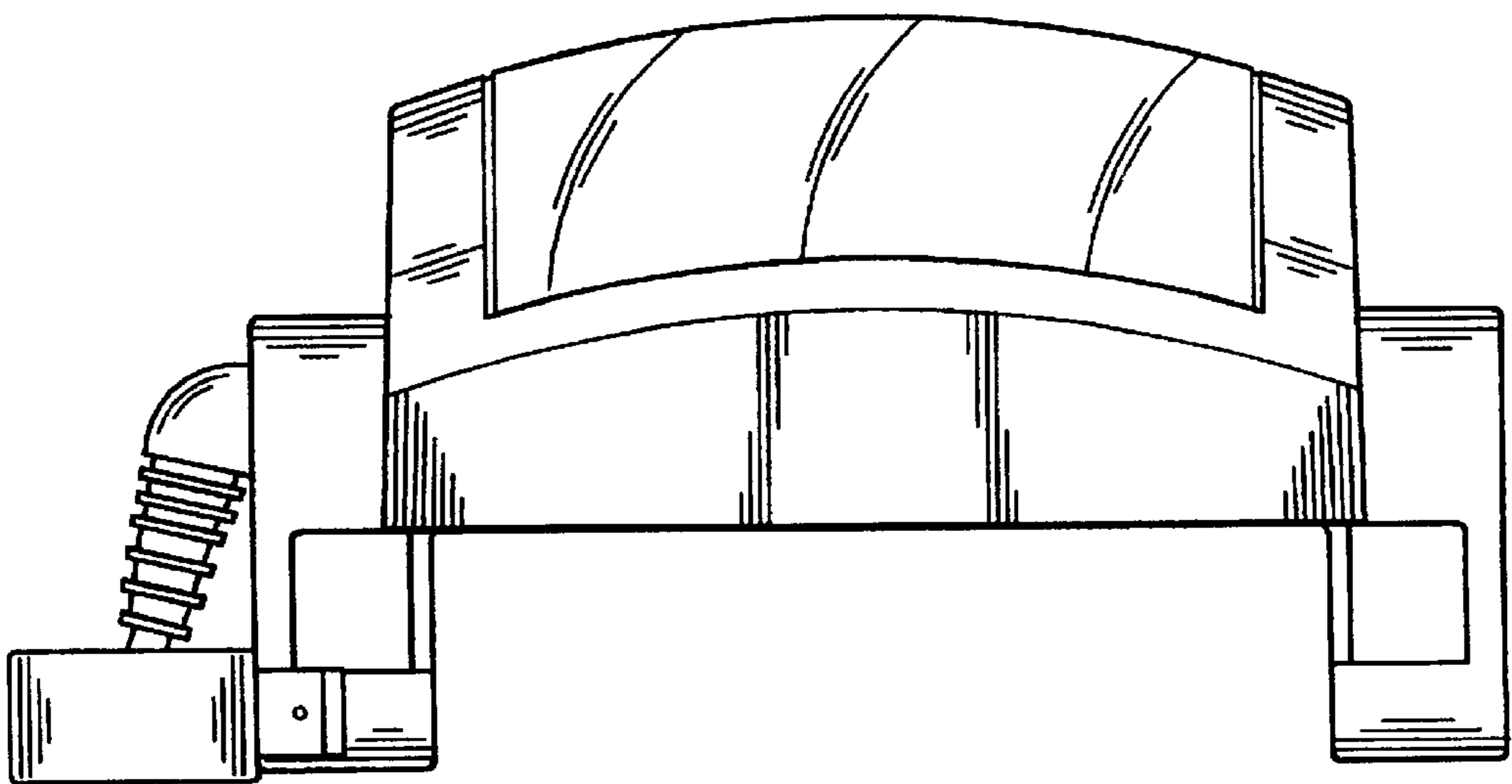


FIG. 4

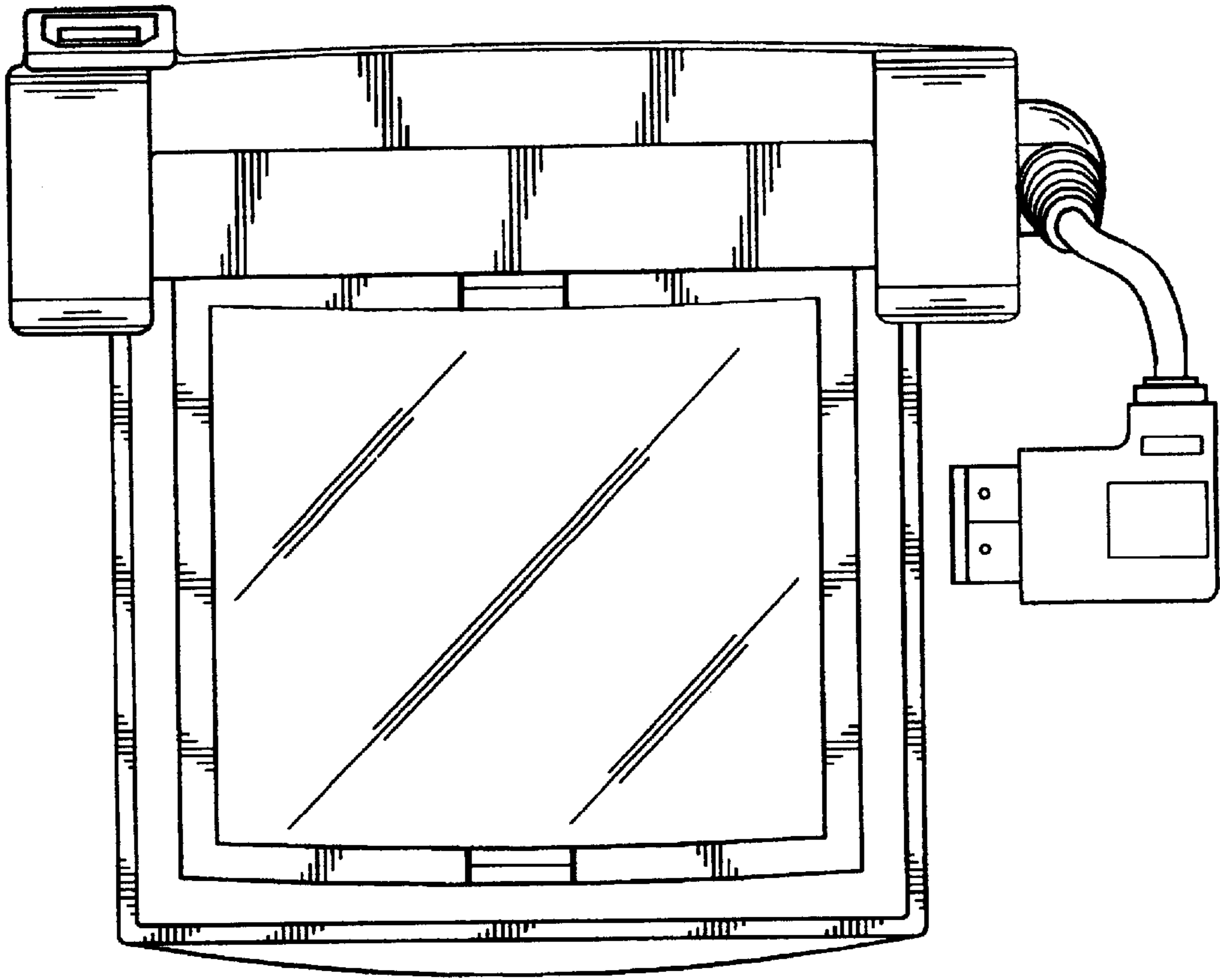


FIG. 5

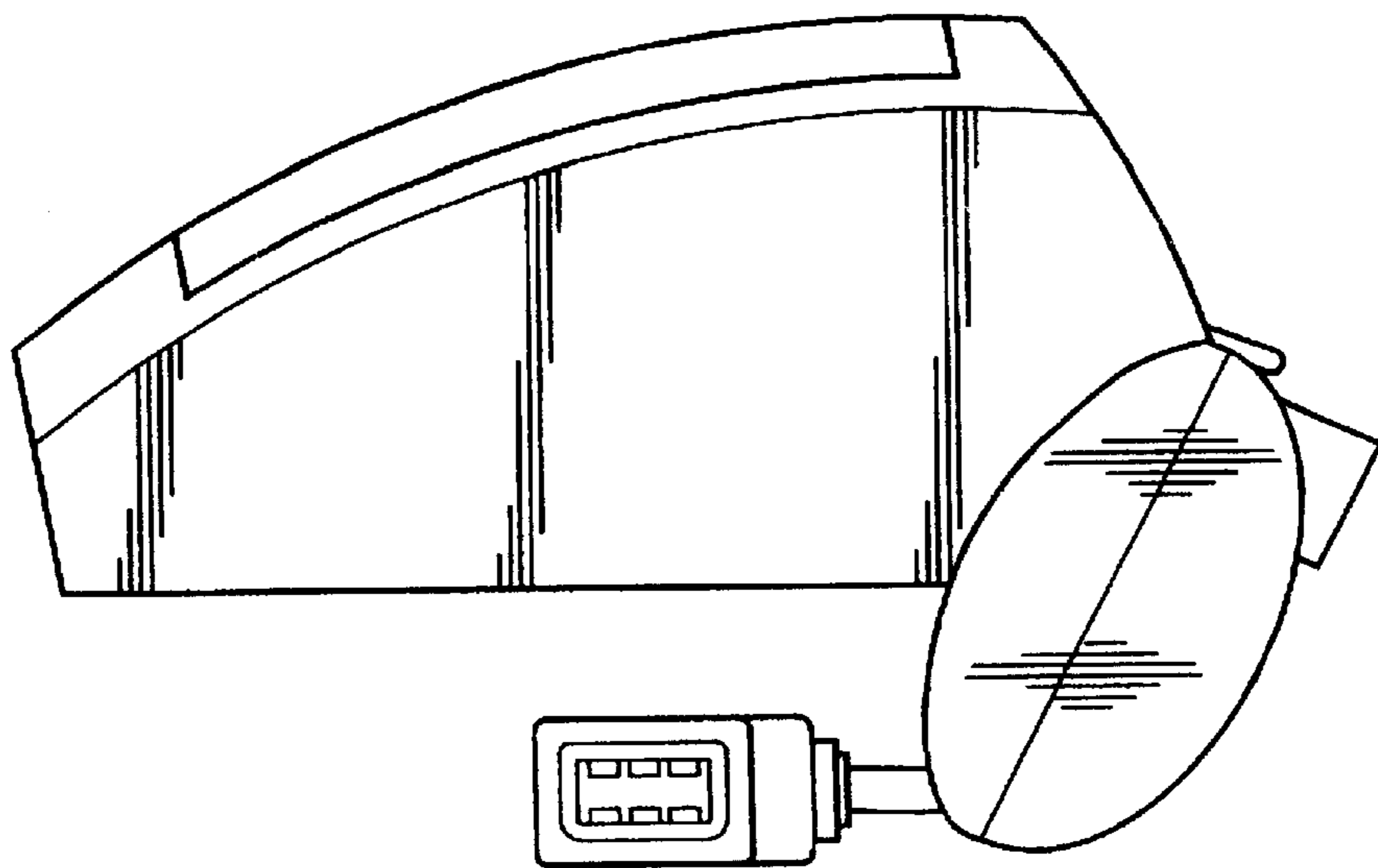


FIG. 6

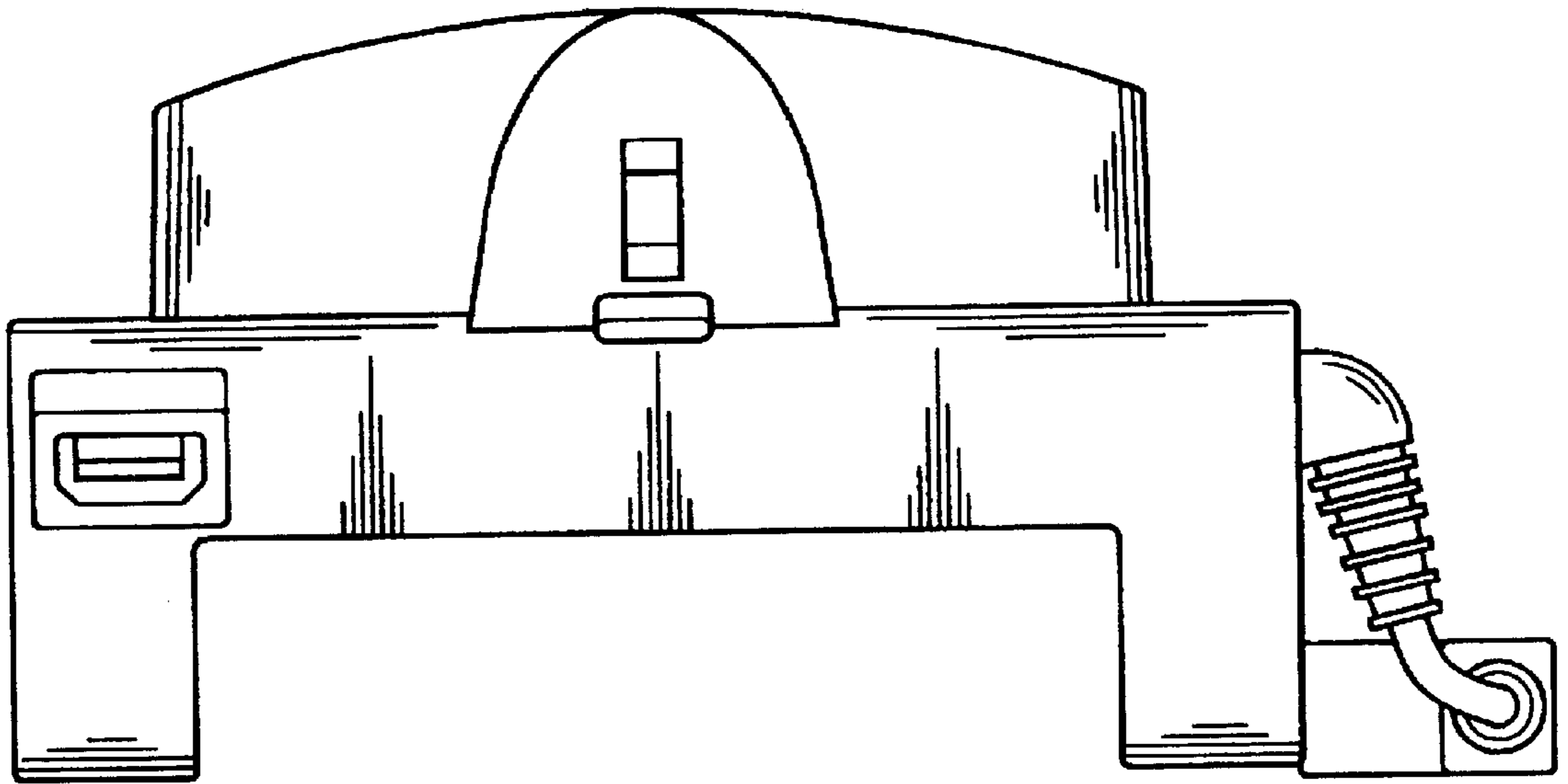


FIG. 7

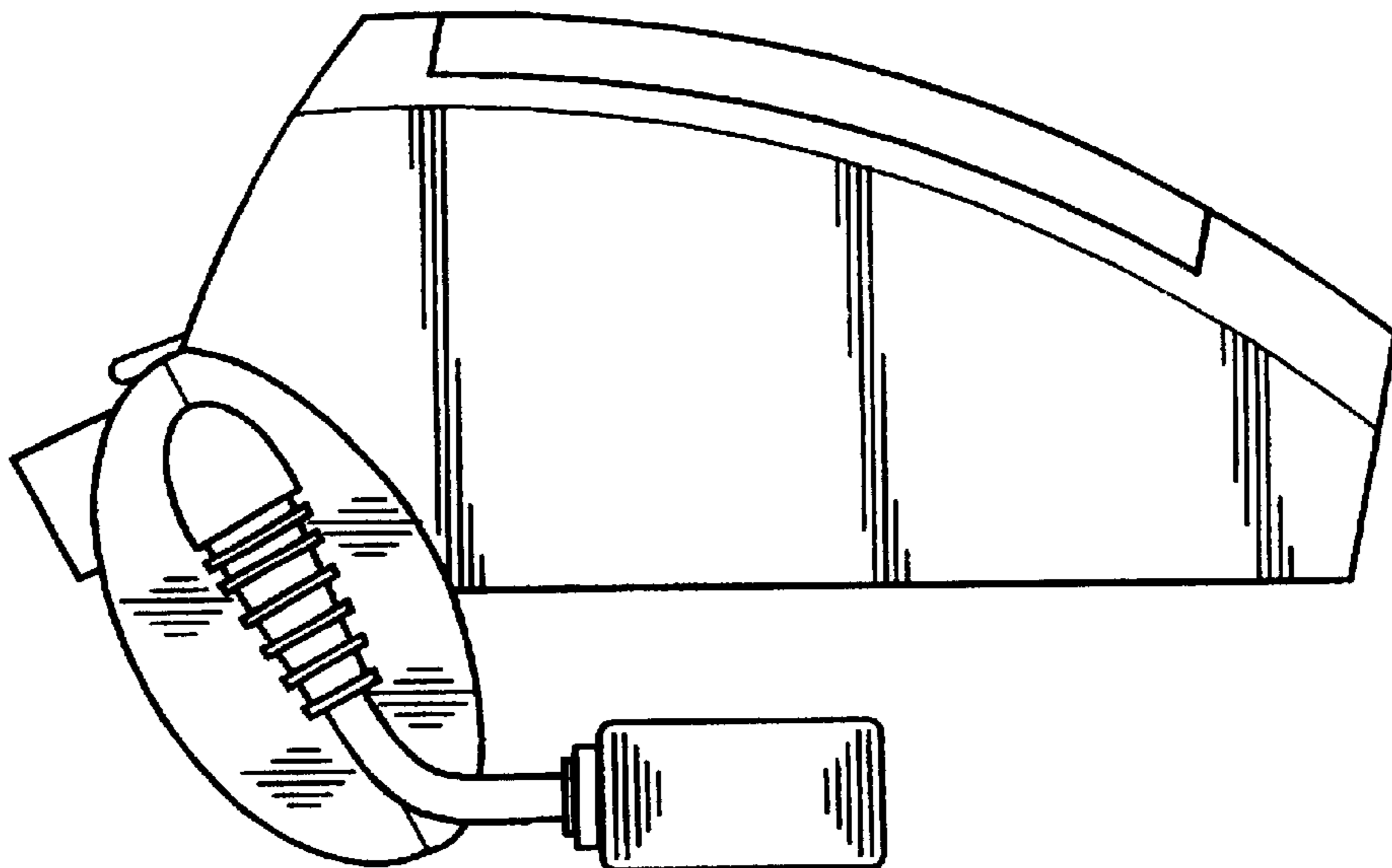


FIG. 8