



US00D460494S

(12) **United States Design Patent**  
**Sugino**

(10) **Patent No.:** **US D460,494 S**

(45) **Date of Patent:** **\*\* Jul. 16, 2002**

(54) **WIRELESS COMMUNICATION ADAPTER  
FOR GAME MACHINE**

(75) Inventor: **Kenichi Sugino, Kyoto (JP)**

(73) Assignee: **Nintendo Co., Ltd.**

(\*\*) Term: **14 Years**

(21) Appl. No.: **29/136,508**

(22) Filed: **Feb. 2, 2001**

(30) **Foreign Application Priority Data**

Aug. 7, 2000	(JP)	.....	2000-021836
Aug. 7, 2000	(JP)	.....	2000-021837
Aug. 7, 2000	(JP)	.....	2000-021838
Aug. 7, 2000	(JP)	.....	2000-021839
Aug. 7, 2000	(JP)	.....	2000-021840
Aug. 7, 2000	(JP)	.....	2000-021841

(51) **LOC (7) Cl.** ..... **21-01**

(52) **U.S. Cl.** ..... **D21/333**

(58) **Field of Search** ..... D21/324, 333,  
D21/385; D14/496, 125, 217, 137; 273/148 B;  
463/1, 46, 47, 30, 35; 345/328, 333, 112;  
369/1, 2, 3, 83, 292

(56) **References Cited**

**U.S. PATENT DOCUMENTS**

3,978,524 A \* 8/1976 Gordon et al. .... 369/1

4,578,674 A	*	3/1986	Baker et al. ....	455/603
D303,127 S	*	8/1989	Biasotti .....	D21/333
D324,244 S	*	2/1992	Stamper et al. ....	D21/333
D325,049 S		3/1992	Cordell	
D372,274 S	*	7/1996	Douglas et al. ....	D21/333
5,586,090 A	*	12/1996	Otte .....	369/2
D419,136 S	*	1/2000	Tomizawa .....	D21/333
6,182,030 B1	*	1/2001	Hagan et al. ....	D14/496 X
D438,179 S	*	2/2001	Wang-Tsai .....	D14/496
D440,980 S	*	4/2001	Chung .....	D14/496

\* cited by examiner

*Primary Examiner*—Prabhakar Deshmukh

(74) *Attorney, Agent, or Firm*—Nixon & Vanderhye P.C.

(57) **CLAIM**

The ornamental design for a “wireless communication adapter for game machine”, as shown and described.

**DESCRIPTION**

FIG. 1 is a front elevational view of my new design for a wireless communication adapter for game machine;

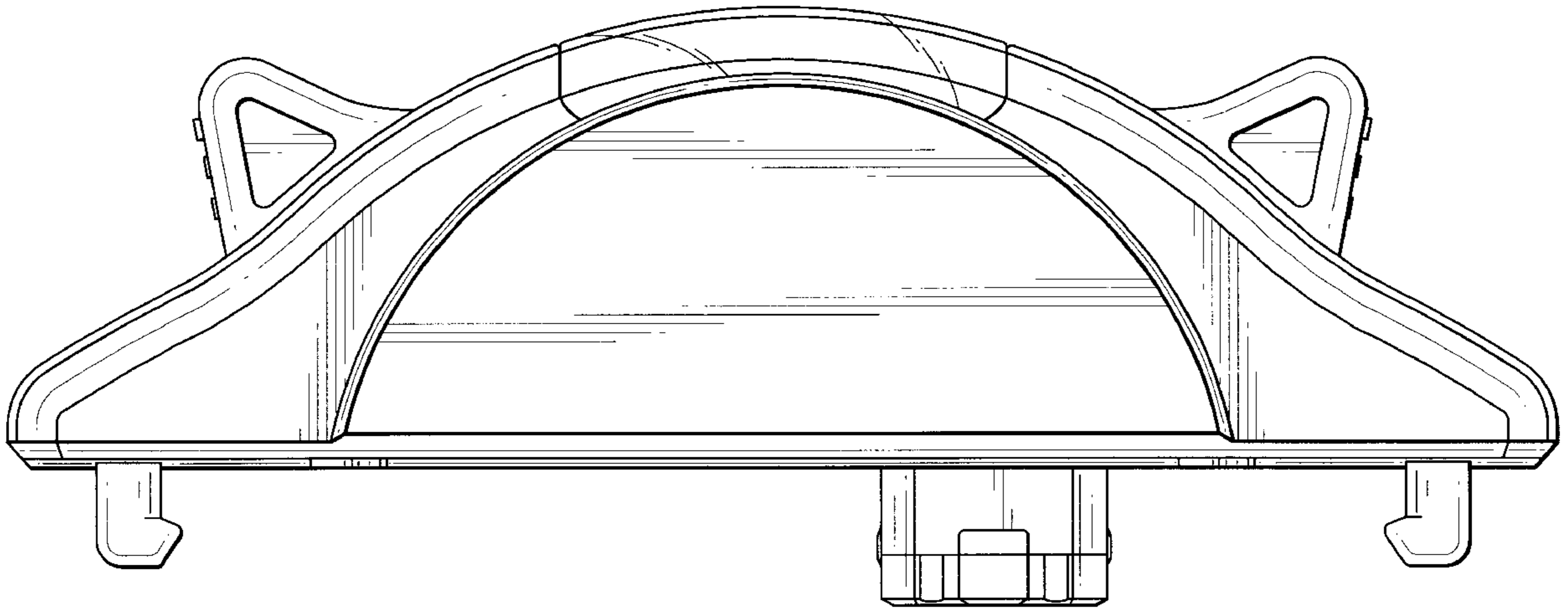
FIG. 2 is a top plan view thereof;

FIG. 3 is a rear elevational view thereof;

FIG. 4 is a bottom plan view thereof; and,

FIG. 5 is a right side view thereof, the left side view being a mirror image thereof.

**1 Claim, 5 Drawing Sheets**



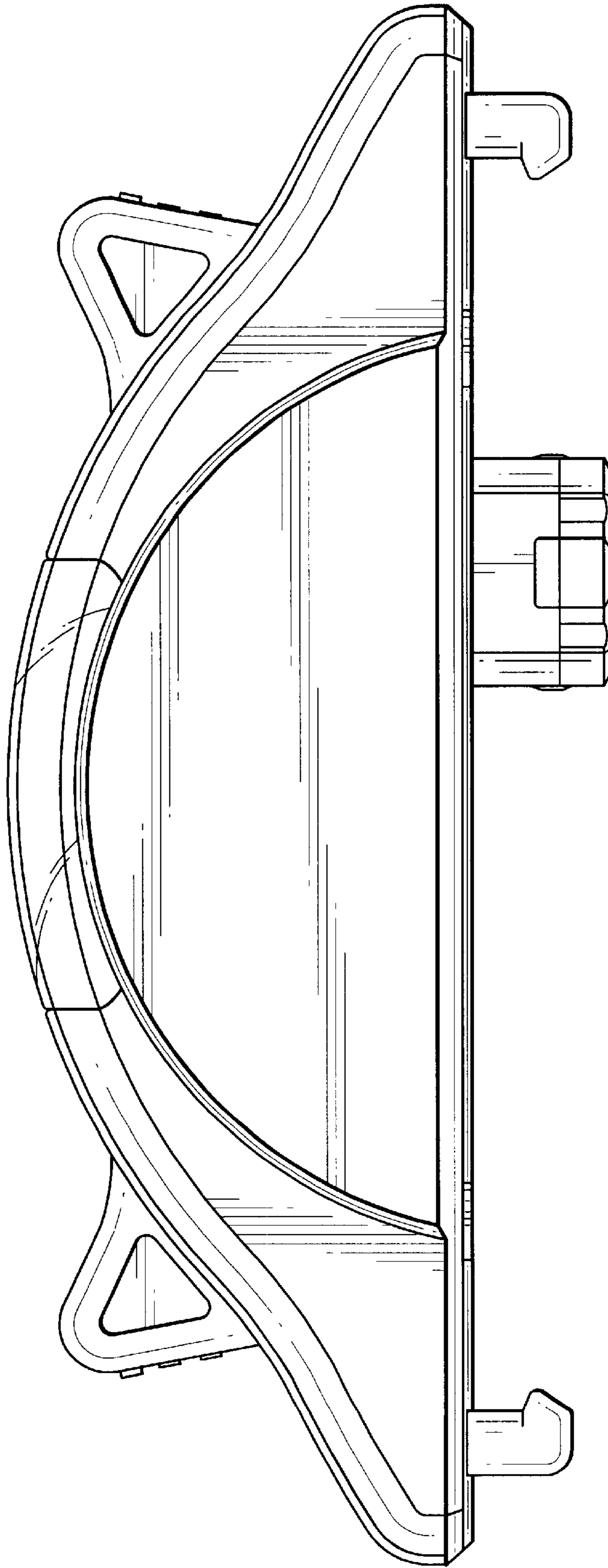


Fig. 1

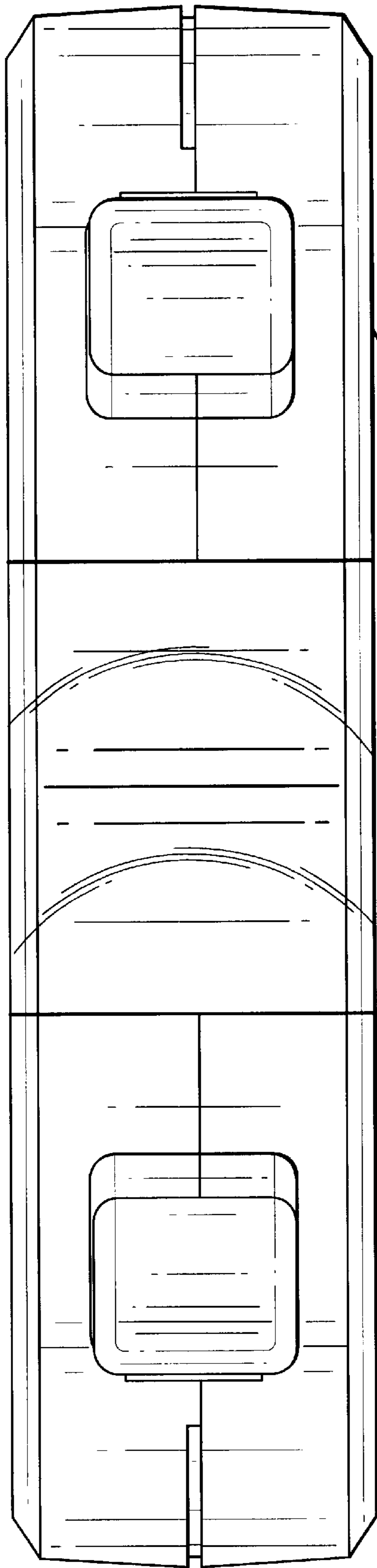


Fig. 2

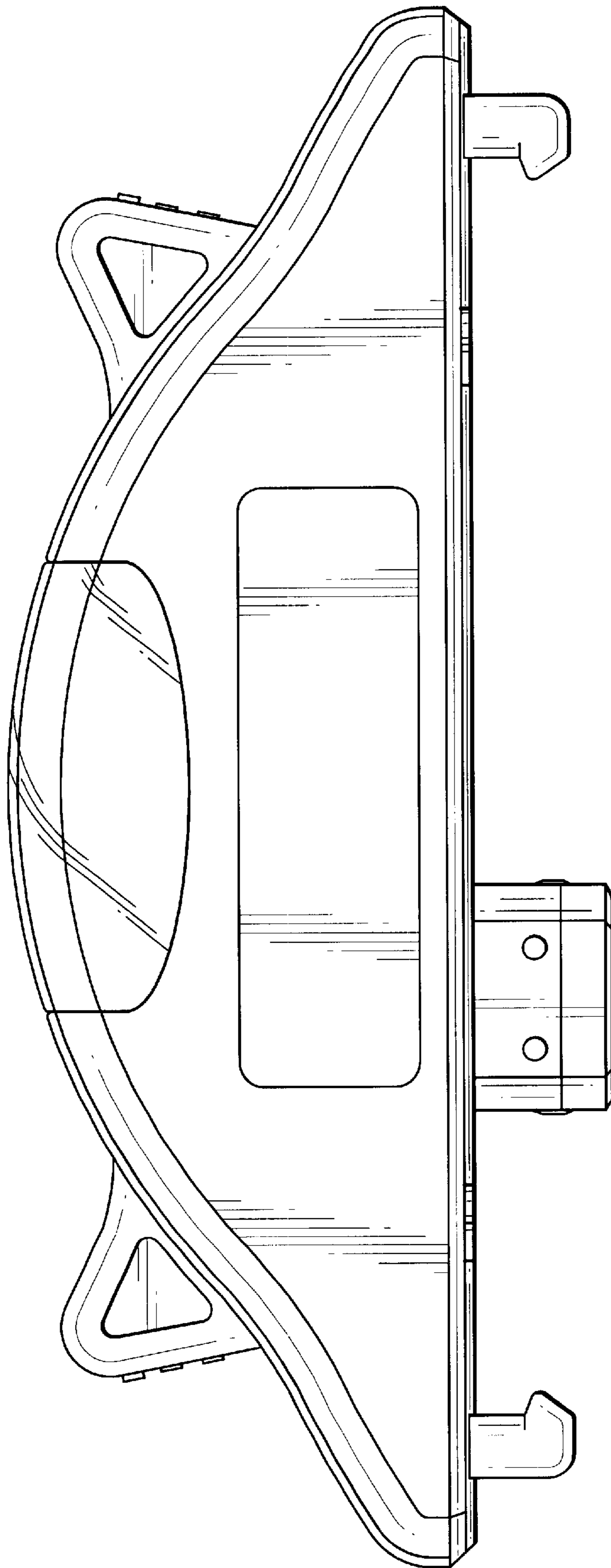


Fig. 3

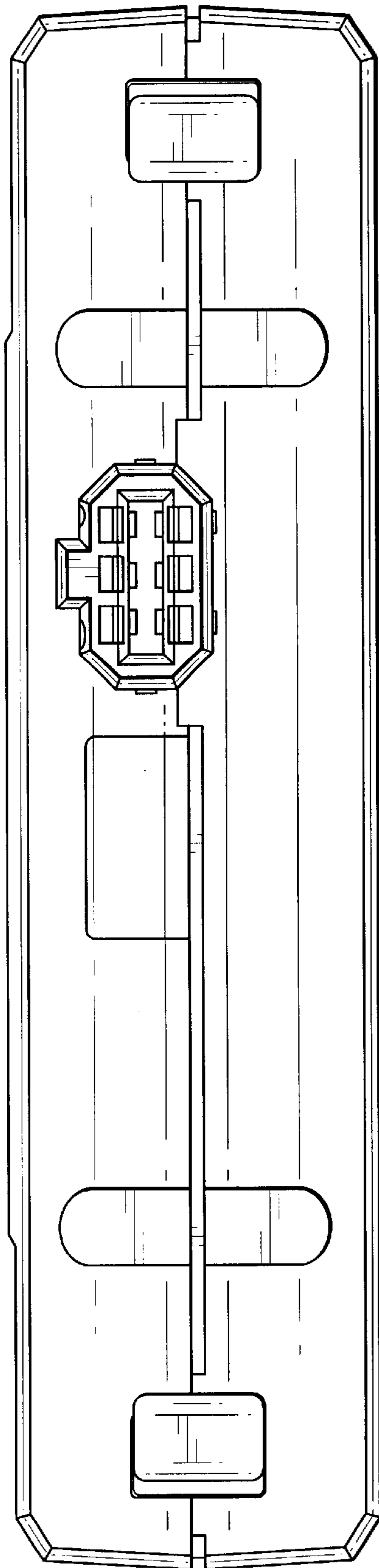


Fig. 4

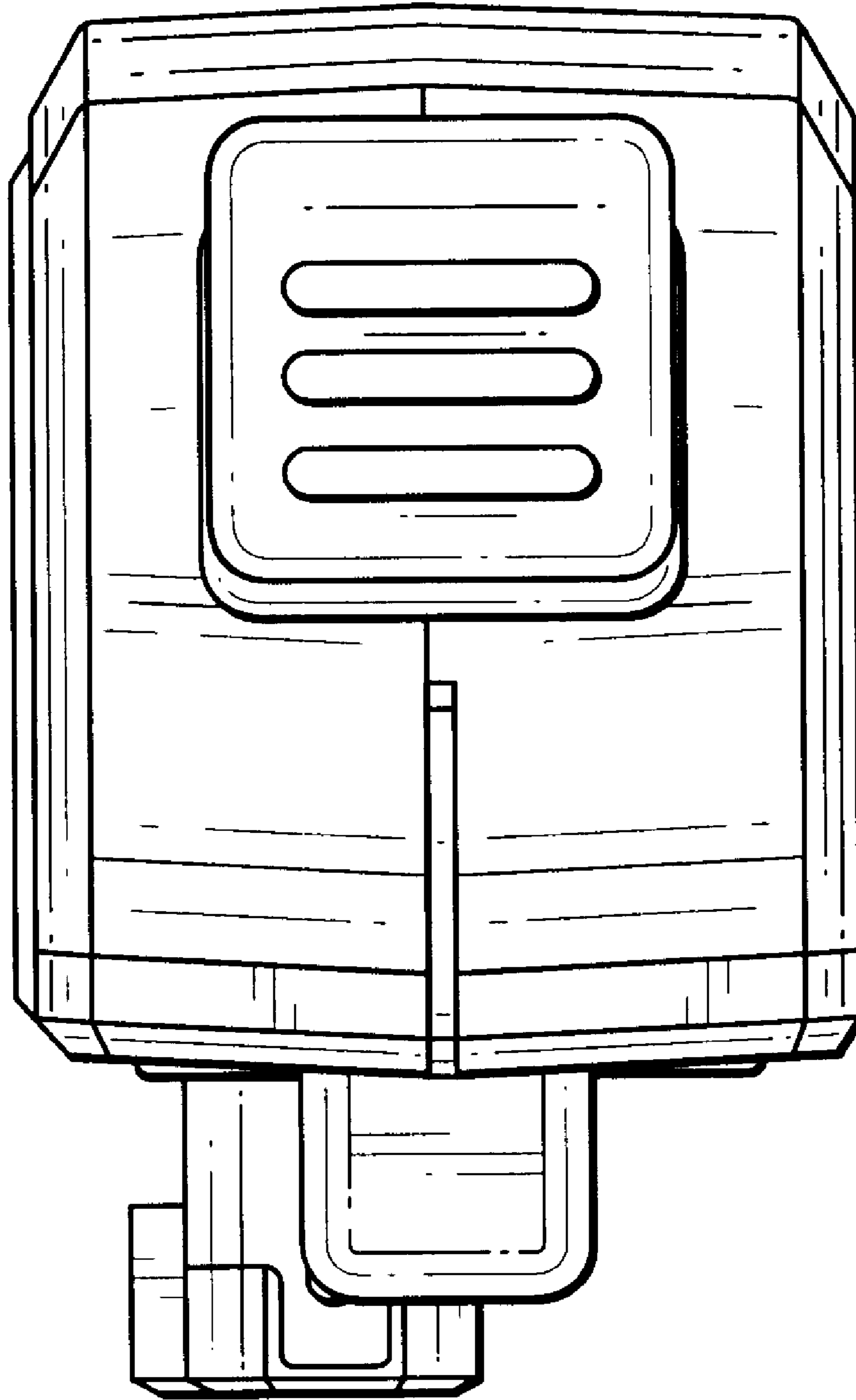


Fig. 5