



US00D460492S

(12) **United States Design Patent**  
**Muraki et al.**

(10) **Patent No.:** **US D460,492 S**

(45) **Date of Patent:** **\*\* Jul. 16, 2002**

(54) **GAME MACHINE**

(75) Inventors: **Hiroyuki Muraki; Makiko Otomi**,  
both of Kobe; **Toru Takeda**, Osaka;  
**Toshifumi Suzuki**, Amagasaki, all of  
(JP)

(73) Assignee: **Konami Co., Ltd.**, Kobe (JP)

(\*\*) Term: **14 Years**

(21) Appl. No.: **29/129,655**

(22) Filed: **Sep. 19, 2000**

**Related U.S. Application Data**

(62) Division of application No. 29/106,584, filed on Jun. 17,  
1999, now Pat. No. Des. 438,271.

(30) **Foreign Application Priority Data**

Dec. 25, 1998 (JP) ..... 10-38292  
Dec. 25, 1998 (JP) ..... 10-38293

(51) **LOC (7) Cl.** ..... **21-01**

(52) **U.S. Cl.** ..... **D21/325; D21/333**

(58) **Field of Search** ..... D21/324, 325,  
D21/326, 328, 302, 574; 463/1, 2, 30, 31,  
35, 46, 47, 51, 52; 273/355, 356, 405, 857,  
148 B; 434/247, 253; 482/70, 79, 146,  
901, 902

(56) **References Cited**

**U.S. PATENT DOCUMENTS**

4,142,722 A \* 3/1979 Romano et al. .... 436/52

D325,938 S \* 5/1992 Stuhr ..... D21/344  
5,299,810 A \* 4/1994 Pierce et al. .... 463/2  
5,584,763 A \* 12/1996 Kelly et al. .... 463/16  
D411,258 S \* 6/1999 Isetani et al. .... D21/328  
D421,774 S \* 3/2000 Toriyama ..... D21/325  
D425,570 S \* 5/2000 Otomi et al. .... D21/325

**OTHER PUBLICATIONS**

The Coin Journal (Monthly), Nov. 1998 published 30<sup>th</sup> day  
of every month (including cover page, advertisement by a  
distributor showing Konami's "Dance Dance Revolution™"  
and enlarged copy of the above-mentioned advertising  
page).

\* cited by examiner

*Primary Examiner*—Prabhakar Deshmukh

(74) *Attorney, Agent, or Firm*—Jordan and Hamburg LLP

(57) **CLAIM**

The ornamental design for a game machine, as shown and  
described.

**DESCRIPTION**

FIG. 1 is a perspective view of a game machine showing our  
new design, the broken lines being for illustrative purposes  
only and form no part of the claimed design;

FIG. 2 is a front view thereof;

FIG. 3 is a rear view thereof;

FIG. 4 is a left side view thereof;

FIG. 5 is a right side view thereof;

FIG. 6 is a top view thereof; and,

FIG. 7 is a bottom view thereof.

**1 Claim, 7 Drawing Sheets**

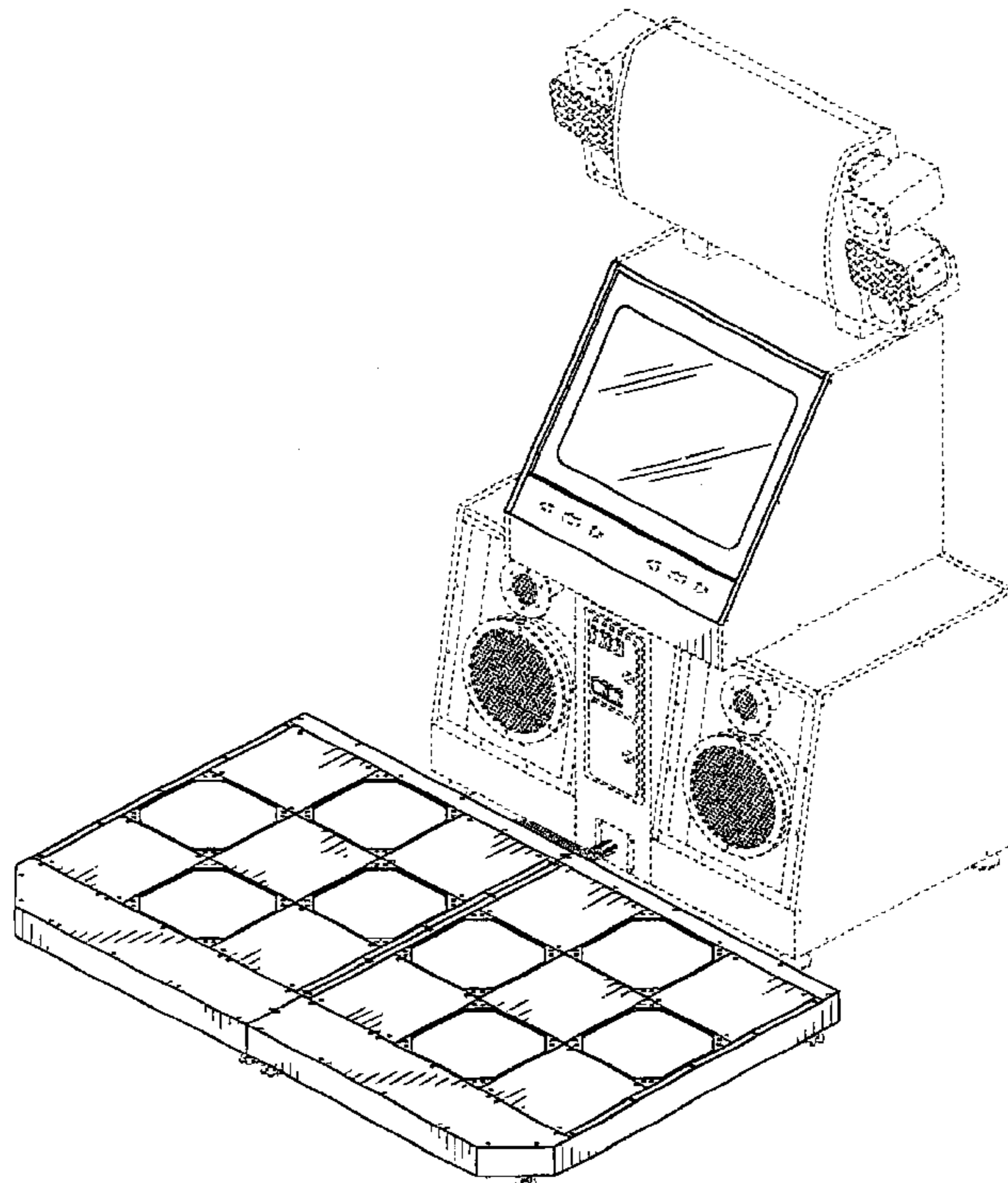


FIG. 1

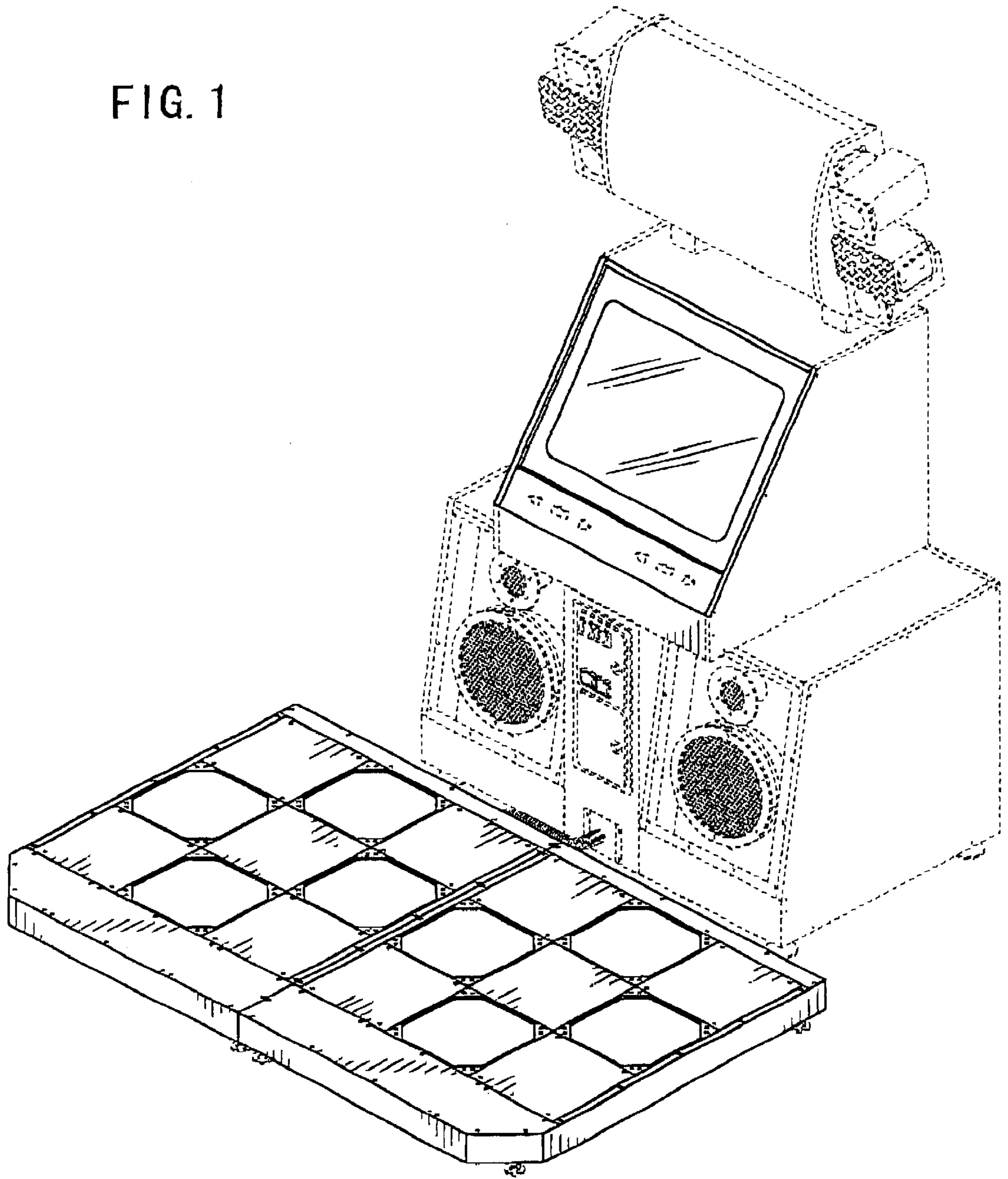


FIG. 2

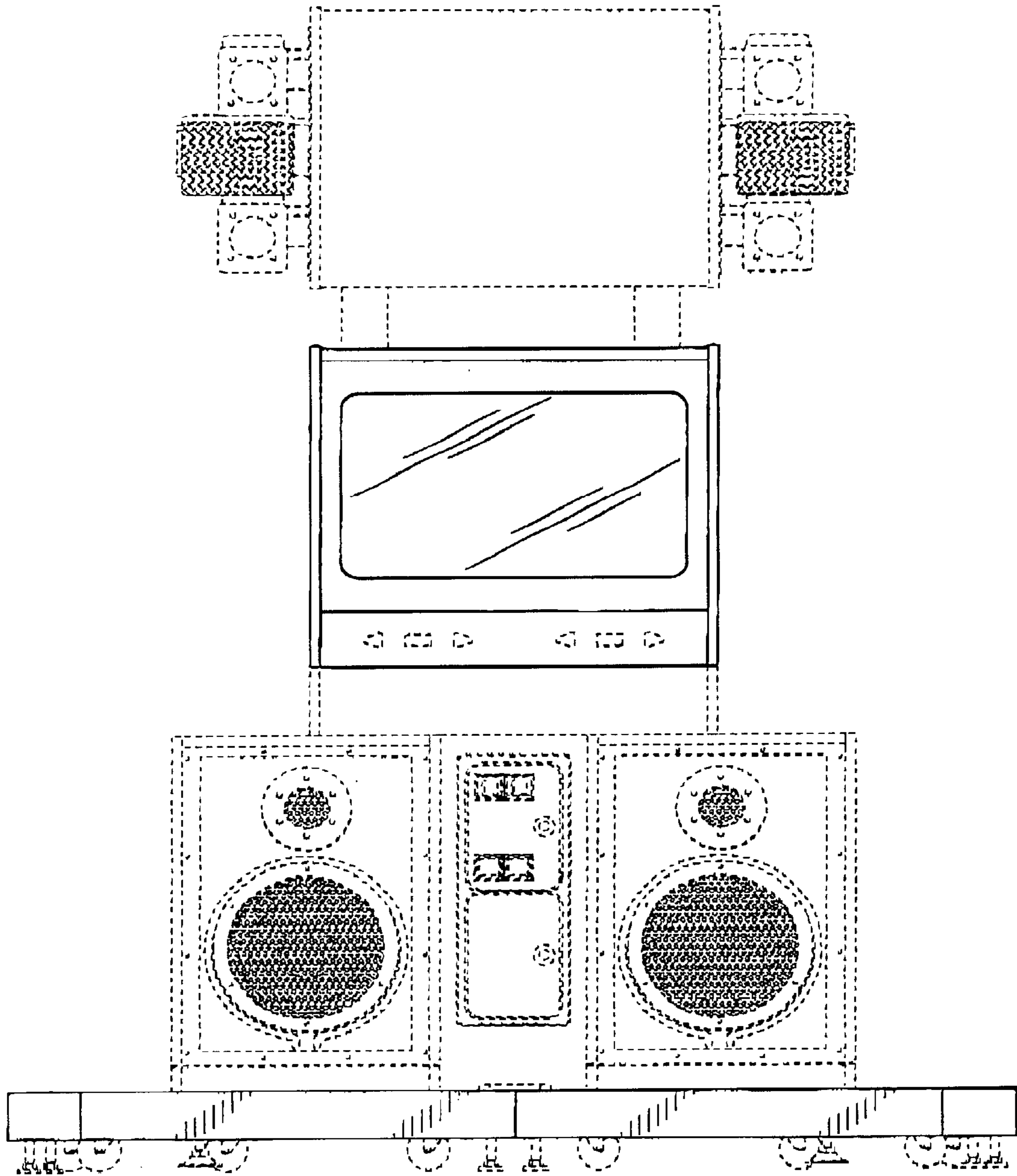


FIG. 3

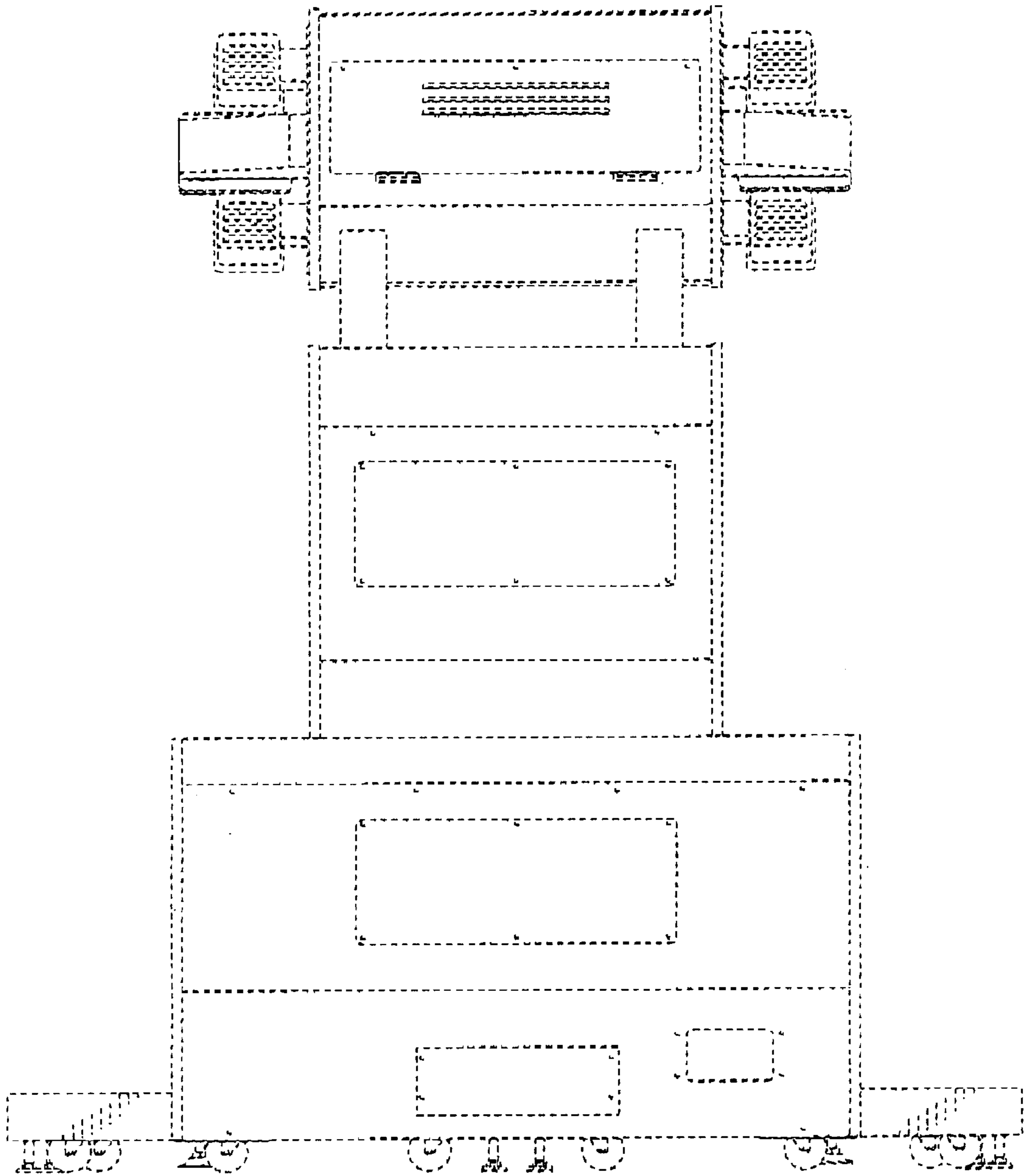


FIG. 4

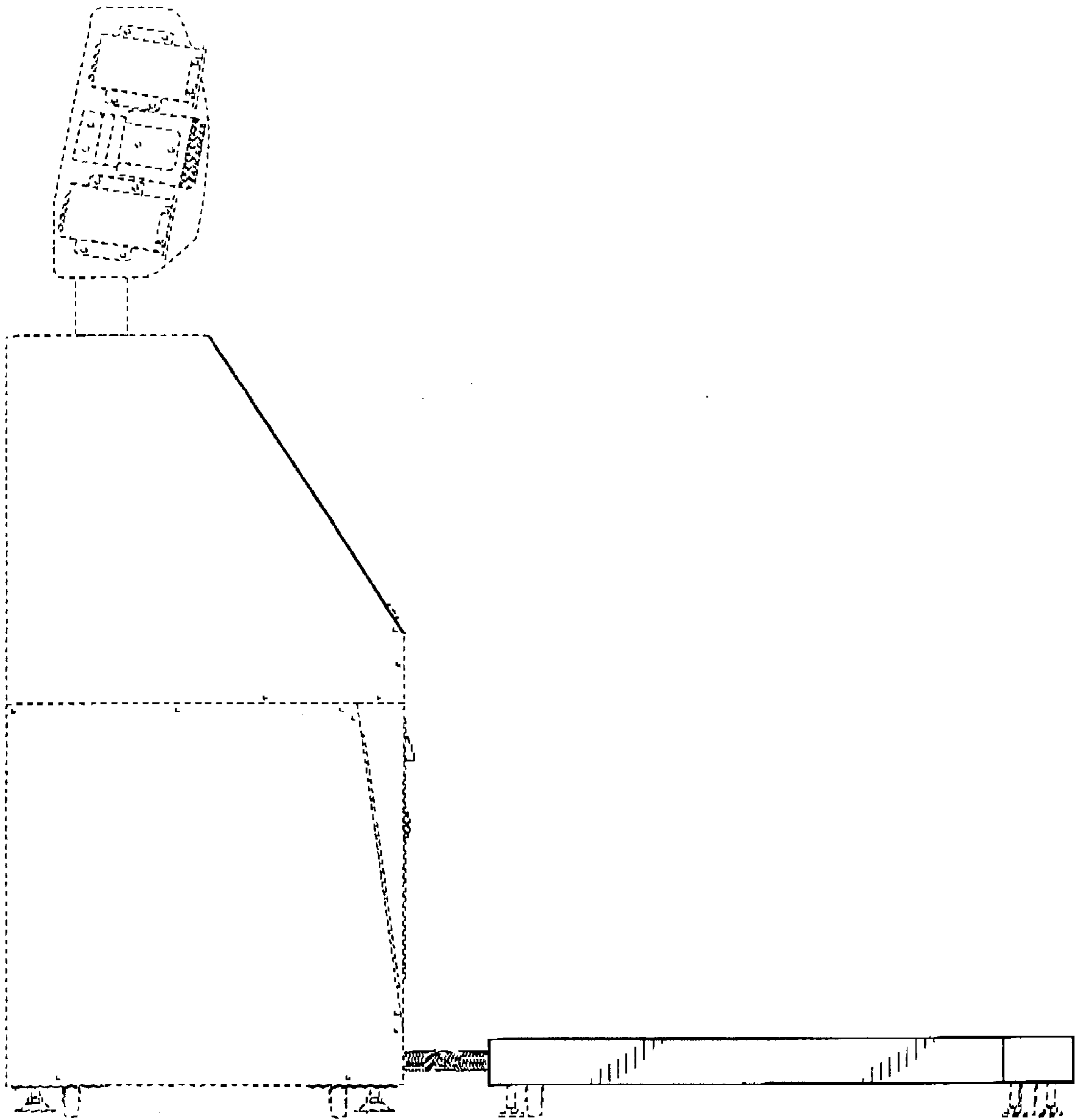


FIG. 5

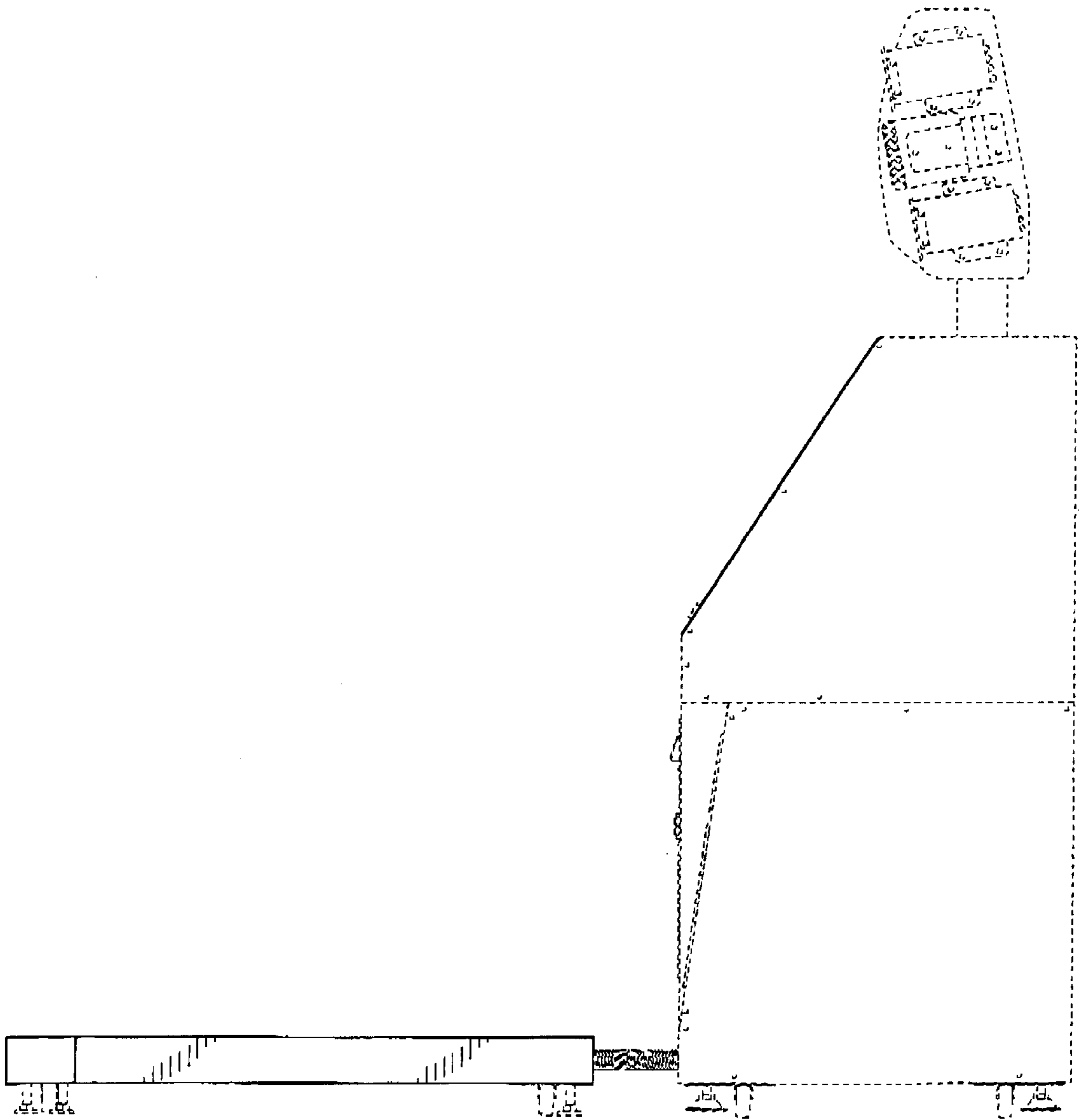


FIG. 6

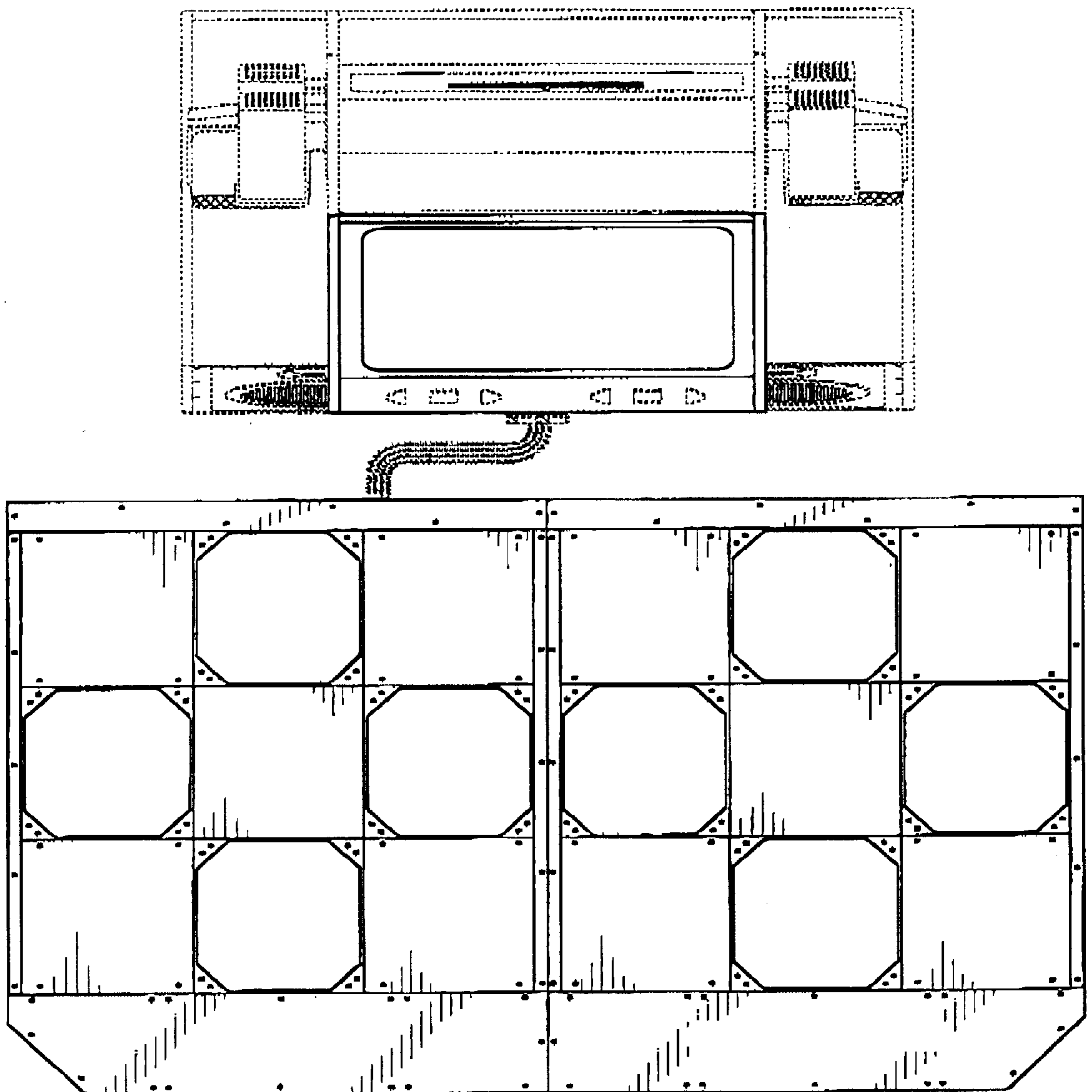


FIG. 7

