



US00D460491S

(12) **United States Design Patent**
Meyer et al.

(10) **Patent No.:** **US D460,491 S**

(45) **Date of Patent:** **** Jul. 16, 2002**

(54) **HAND HELD ELECTRONIC GAME APPARATUS**

(75) Inventors: **Karl Meyer**, South Hadley; **Eric Jandorf**, Framingham, both of MA (US)

(73) Assignee: **Hasbro, Inc.**, Pawtucket, RI (US)

(**) Term: **14 Years**

(21) Appl. No.: **29/144,809**

(22) Filed: **Jul. 6, 2001**

(51) **LOC (7) Cl.** **21-01**

(52) **U.S. Cl.** **D21/324**

(58) **Field of Search** D21/324-333;
273/148 B; 463/29-35, 46, 47, 48; 345/903, 905

(56) **References Cited**

U.S. PATENT DOCUMENTS

- 4,363,484 A * 12/1982 Breslow et al. 463/37
- D269,686 S * 7/1983 Hoel D21/324
- 4,770,416 A * 9/1988 Shimizu et al. 463/46

- 4,932,913 A * 6/1990 Raviv et al. 446/7
- 5,865,677 A * 2/1999 Goldfarb et al. 463/46
- D415,212 S * 10/1999 Hornsby et al. D21/330
- D416,051 S * 11/1999 Young D21/329
- D420,056 S * 2/2000 Mauldin, Jr. D21/324
- D420,708 S * 2/2000 Holms et al. D21/329

* cited by examiner

Primary Examiner—Prabhakar Deshmukh

(74) *Attorney, Agent, or Firm*—Kurt R. Benson

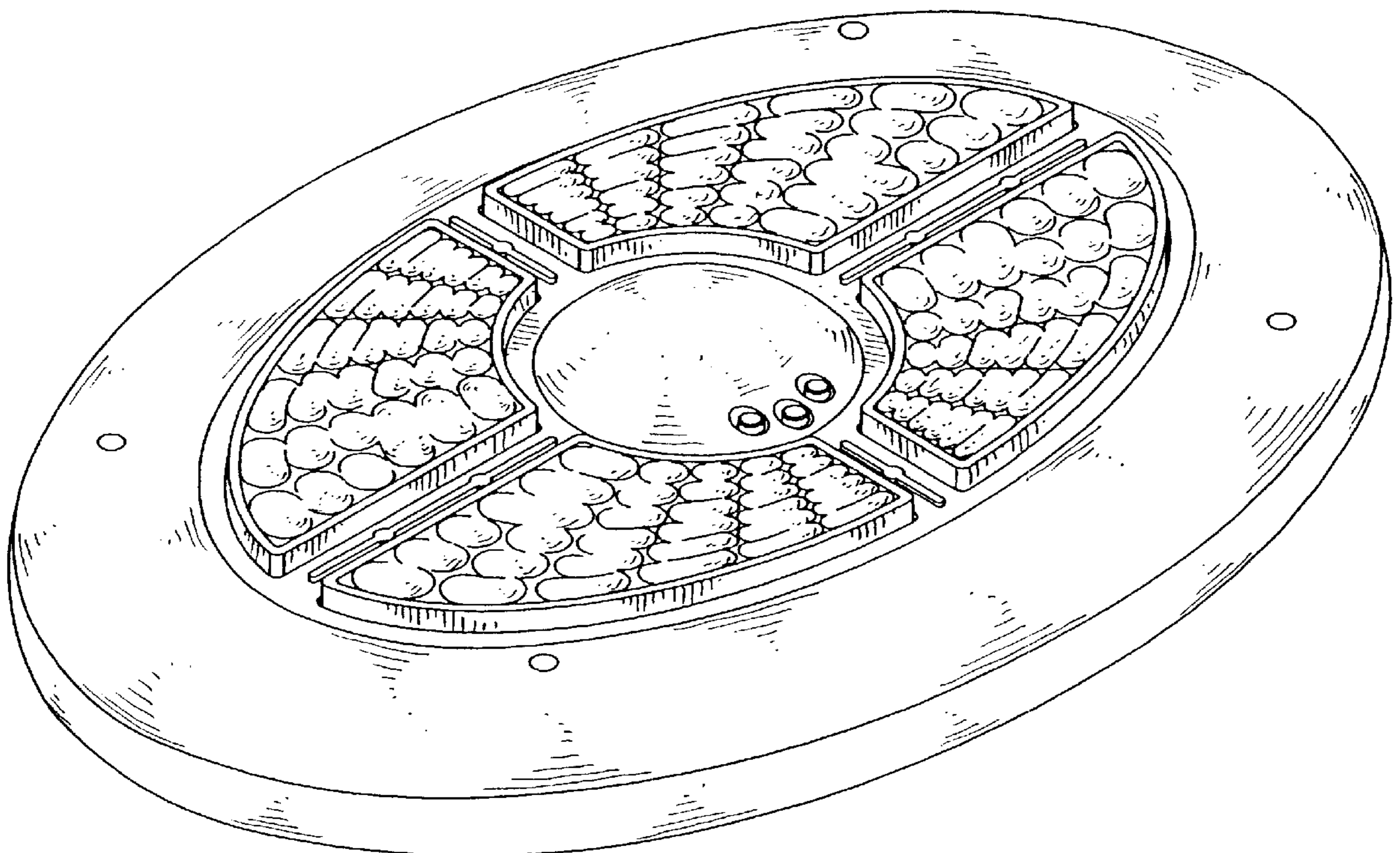
(57) **CLAIM**

The ornamental design for a hand held electronic game apparatus, as shown.

DESCRIPTION

FIG. 1 is a perspective view of the hand held electronic game apparatus of the instant invention;
 FIG. 2 is a top plan view thereof;
 FIG. 3 is a bottom plan view thereof;
 FIG. 4 is a front elevational view thereof;
 FIG. 5 is a rear elevational view thereof;
 FIG. 6 is a left side elevational view thereof; and,
 FIG. 7 is a right side elevational view thereof.

1 Claim, 3 Drawing Sheets



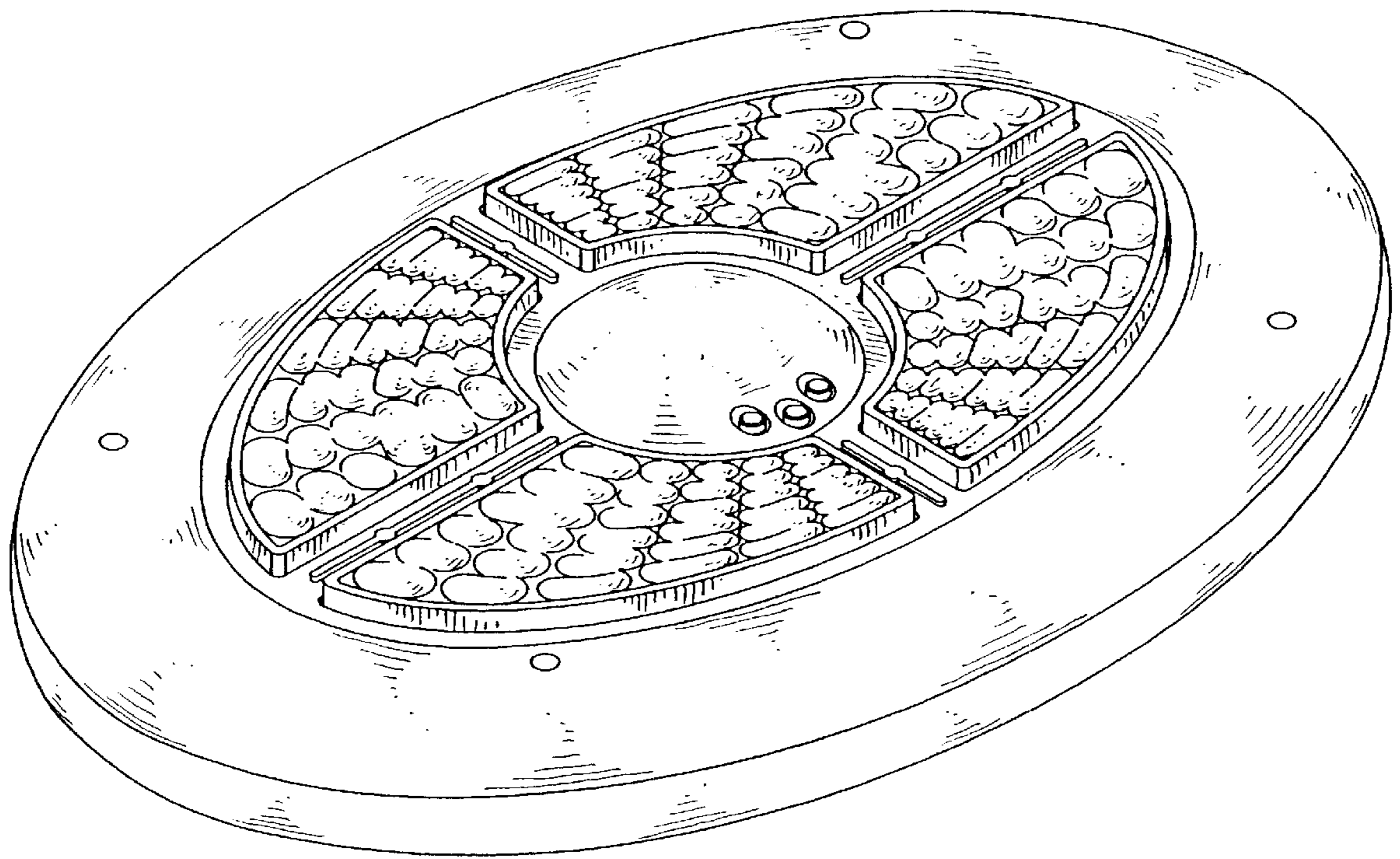


FIG. 1

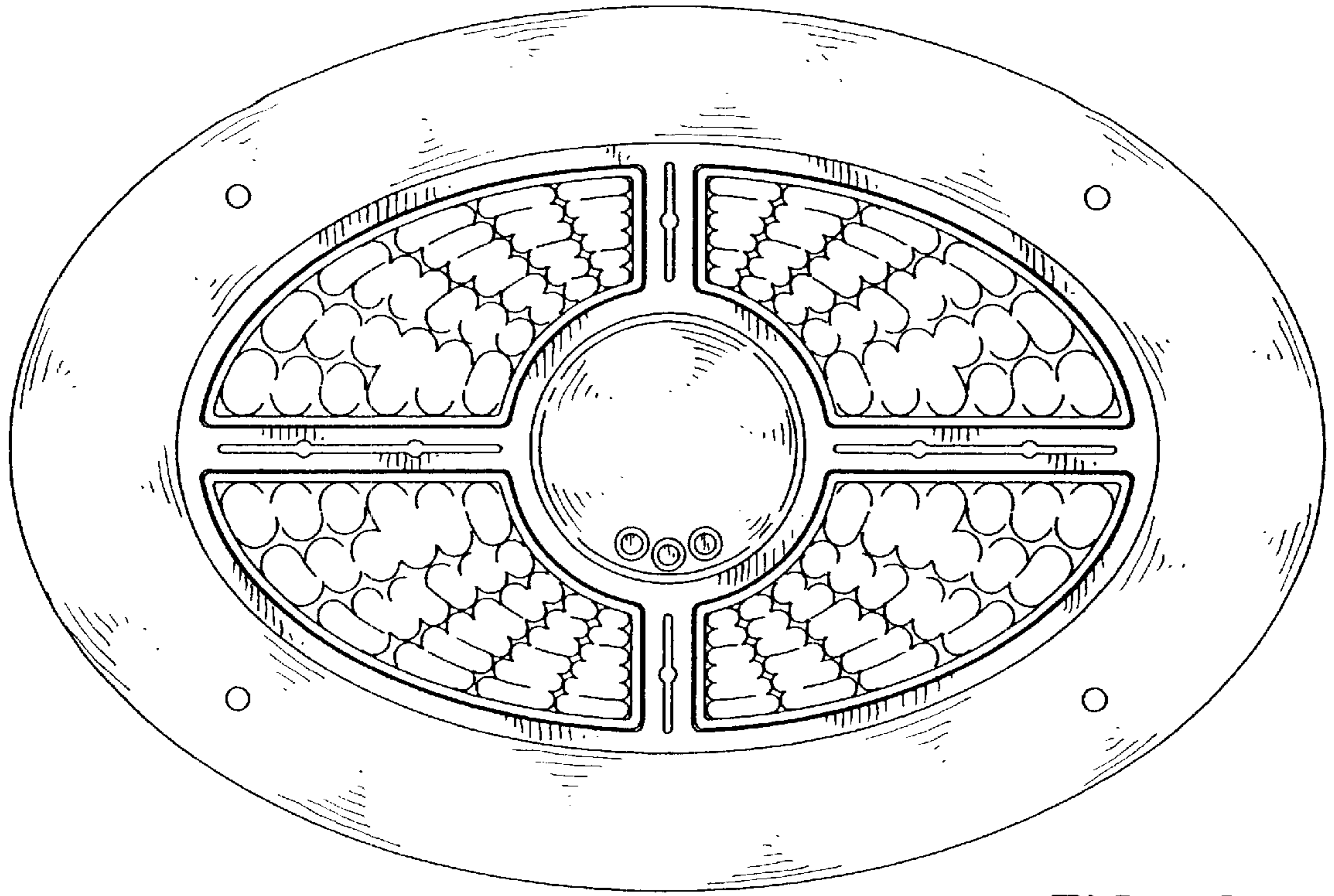


FIG. 2

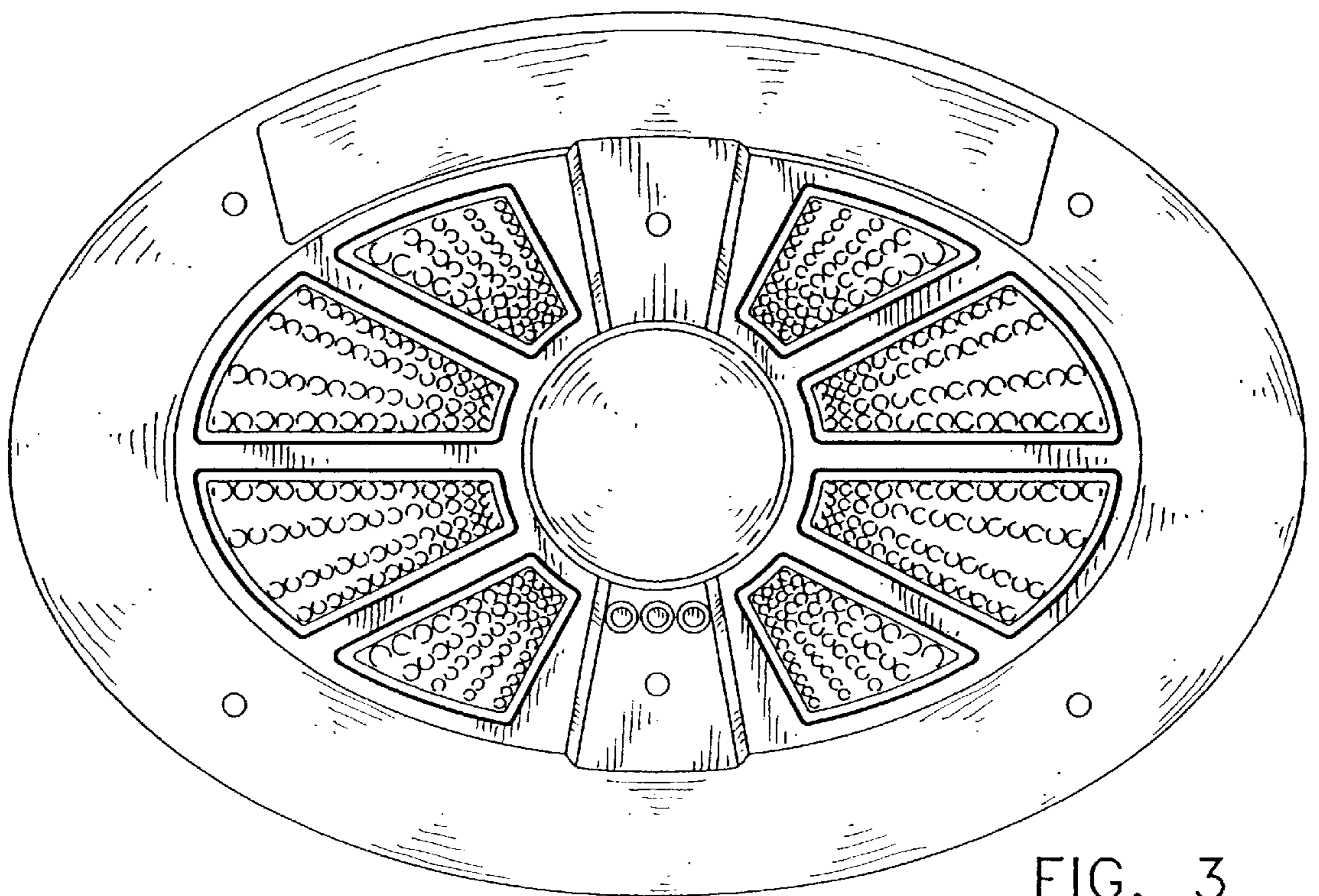


FIG. 3

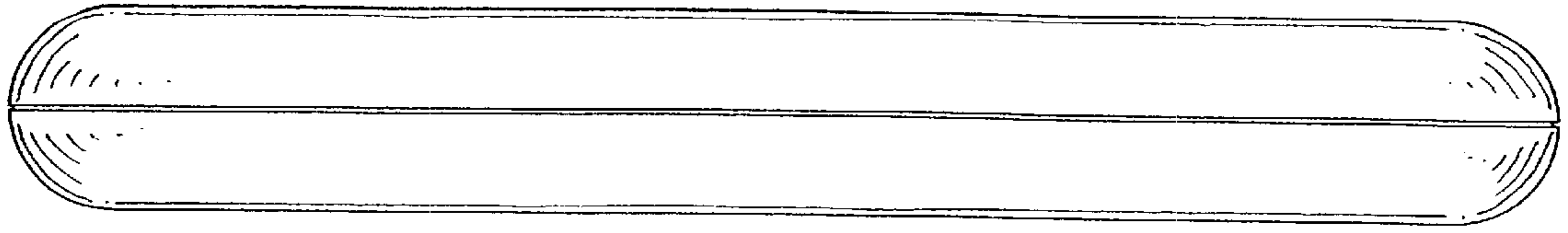


FIG. 4

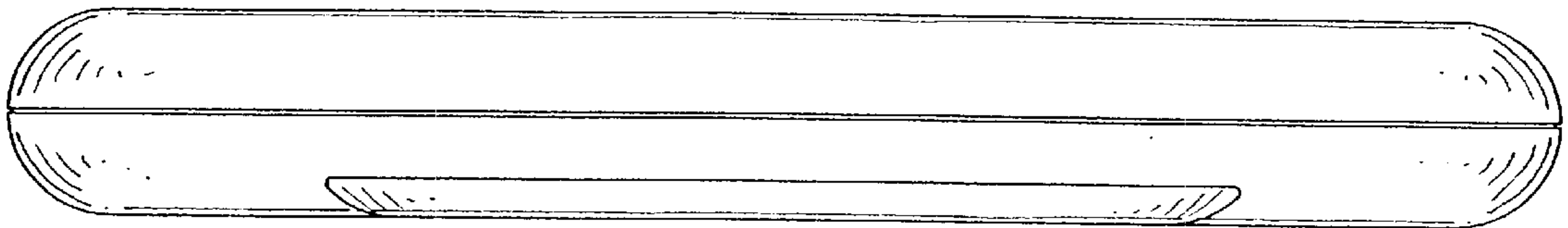


FIG. 5

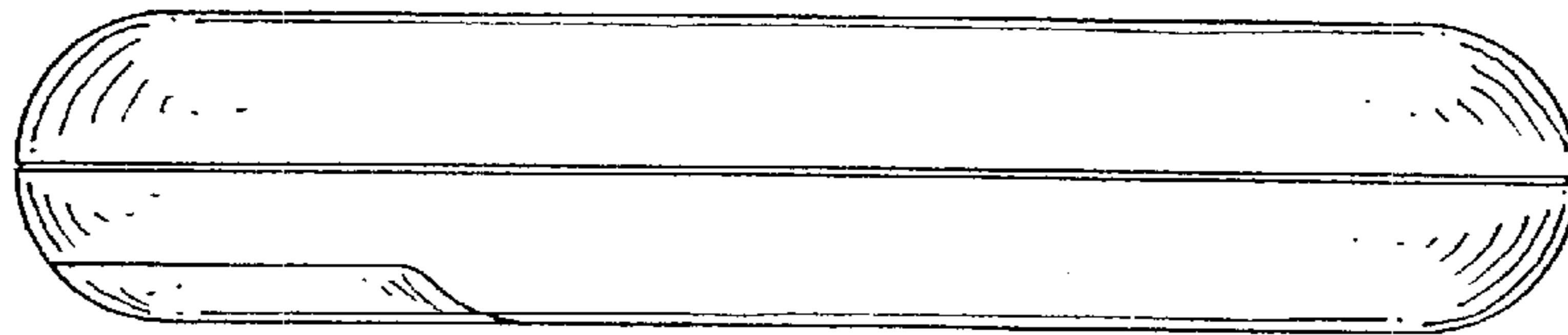


FIG. 6

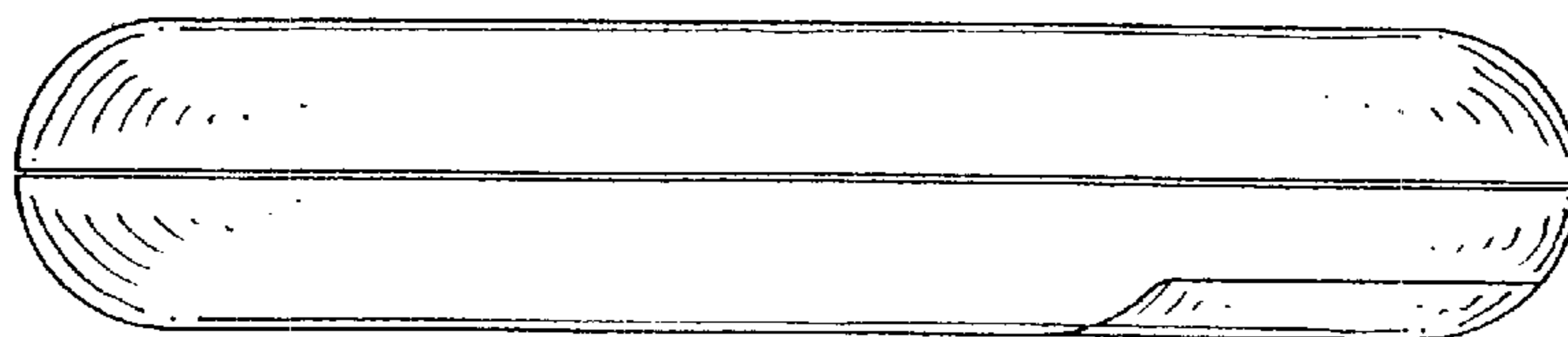


FIG. 7