



US00D460488S

(12) **United States Design Patent**
Solomon

(10) **Patent No.:** **US D460,488 S**

(45) **Date of Patent:** **** Jul. 16, 2002**

(54) **STORAGE RACK**

D266,261 S * 9/1982 Einhorn et al. D19/65
D339,825 S * 9/1993 Hwang D19/90

(76) Inventor: **Peter Solomon**, Via Tadino 50, Milan
20124 (IT)

* cited by examiner

(**) Term: **14 Years**

Primary Examiner—Doris V. Coles
Assistant Examiner—Elizabeth A. Albert

(21) Appl. No.: **29/139,556**

(57) **CLAIM**

(22) Filed: **Apr. 2, 2001**

I claim the ornamental design for a storage rack, as shown and described.

(30) **Foreign Application Priority Data**

Oct. 2, 2000 (DE) 4 00 09 540

DESCRIPTION

(51) **LOC (7) Cl.** **19-02**

(52) **U.S. Cl.** **D19/86**

(58) **Field of Search** D19/52, 65, 75,
D19/78, 86, 88, 90, 91, 92, 95, 100; 40/642.02;
248/441.1, 441.2, 445, 450, 451, 452, 453,
460, 469, 473, 910; 281/44; D8/104; D18/27;
211/11, 41.1

FIG. 1 is a front elevational view of a storage rack showing my new design;

FIG. 2 is is a rear elevational view thereof;

FIG. 3 is a top plan view thereof;

FIG. 4 is a bottom plan view thereof;

FIG. 5 is a right side elevational view thereof;

FIG. 6 is a left side elevational view thereof;

FIG. 7 is a front right perspective view thereof; and,

FIG. 8 is a rear left perspective view thereof.

(56) **References Cited**

U.S. PATENT DOCUMENTS

D266,260 S * 9/1982 Einhorn et al. D19/65

1 Claim, 6 Drawing Sheets

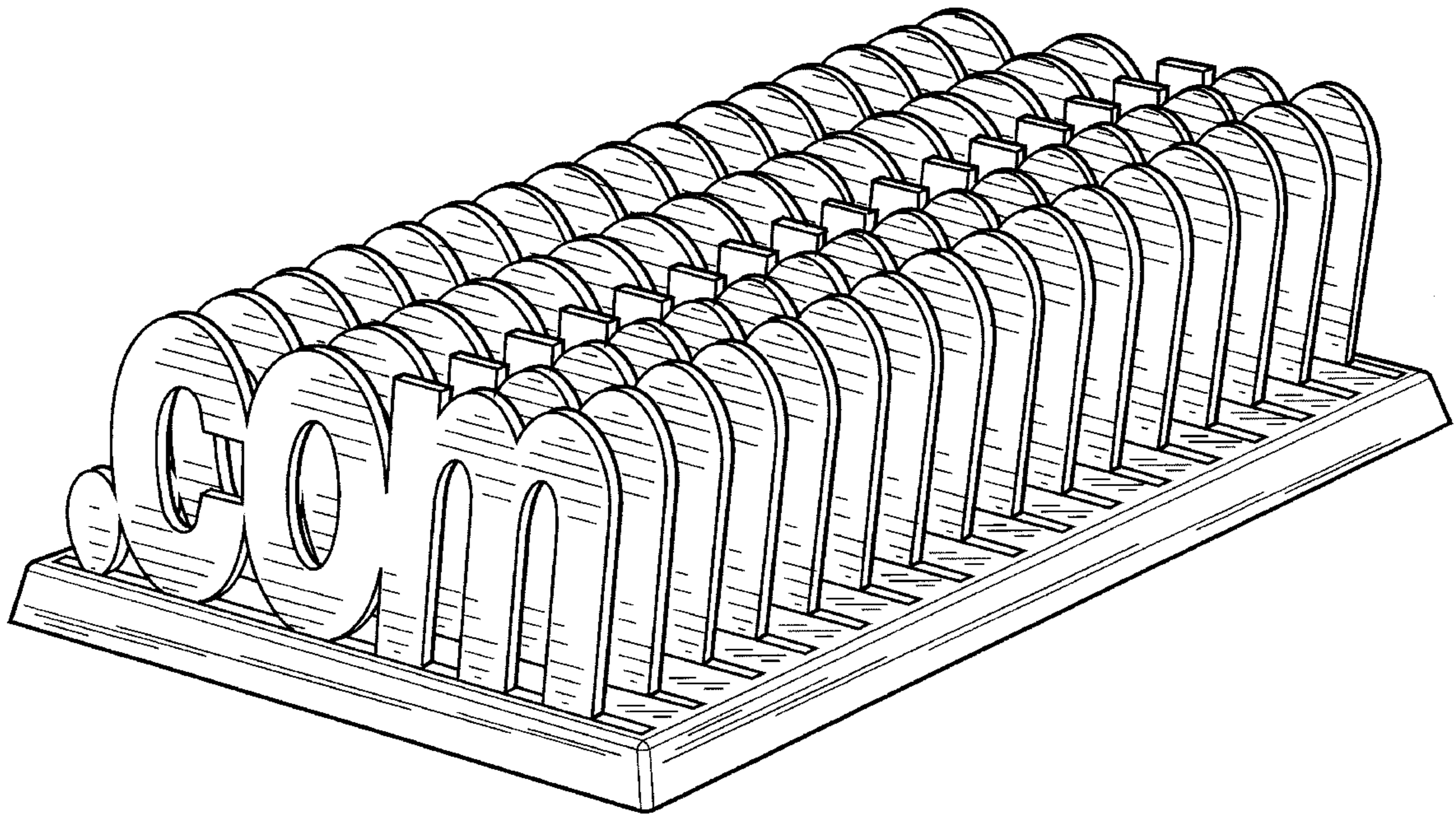




Figure 1



Figure 2

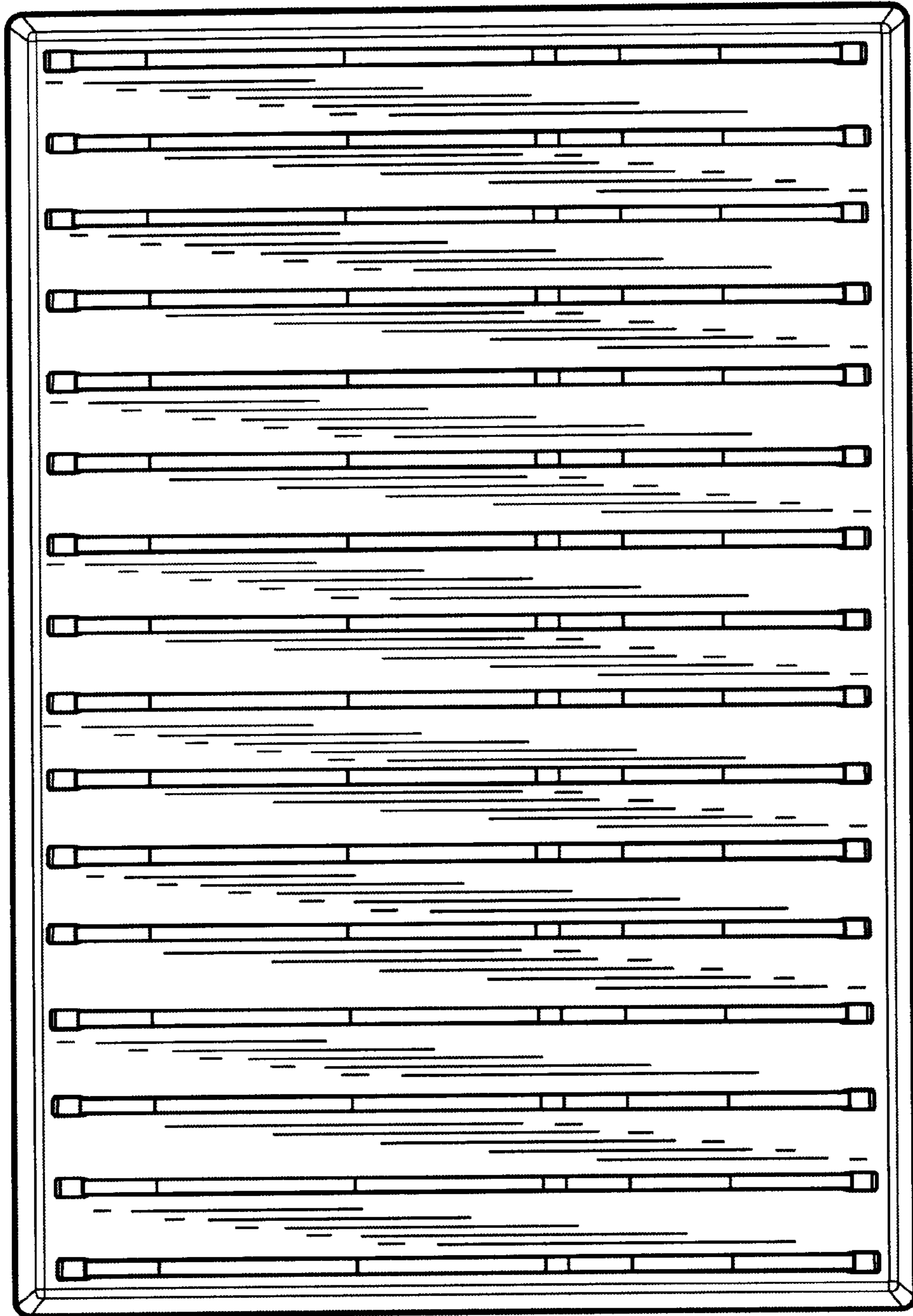


Figure 3

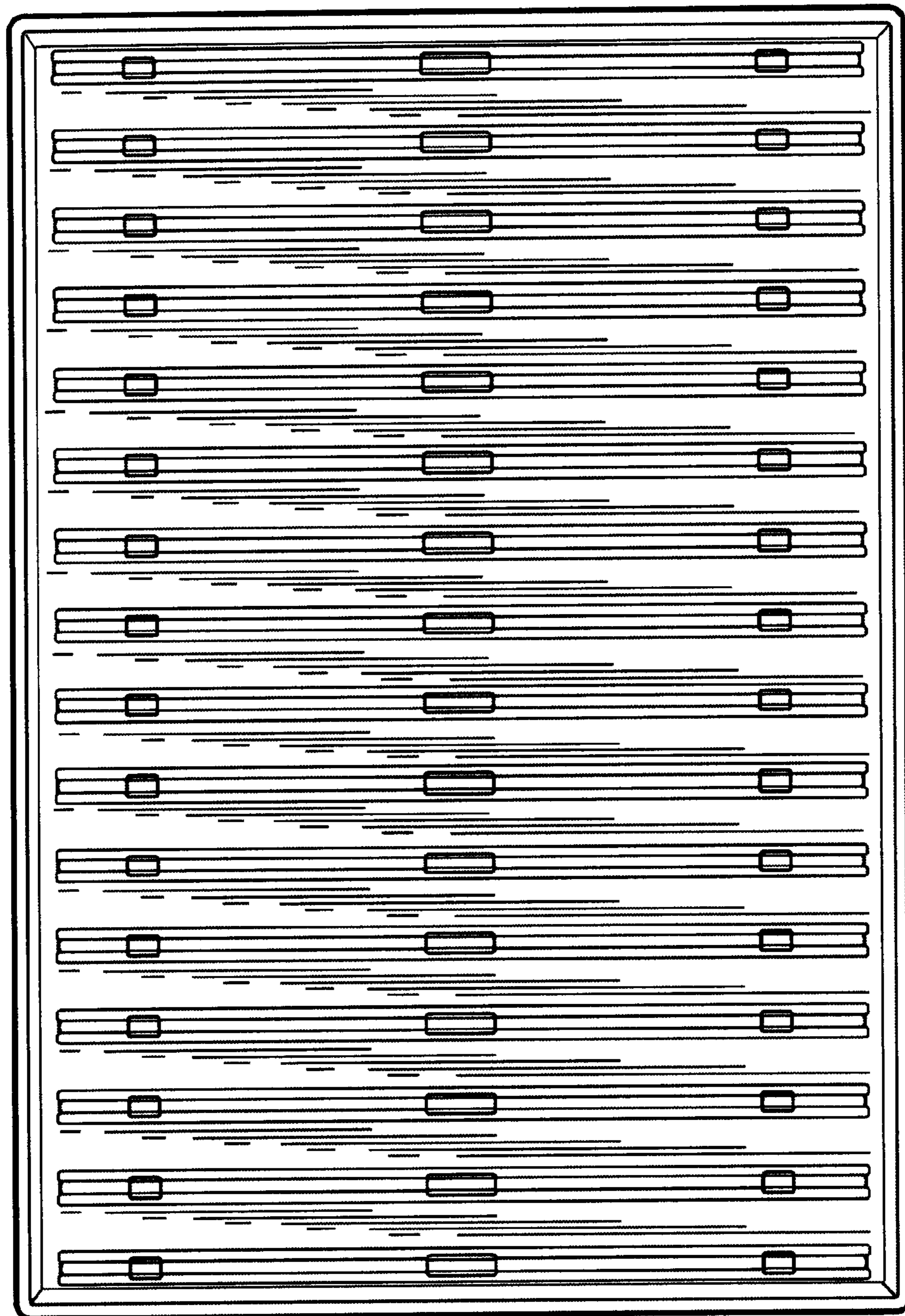


Figure 4

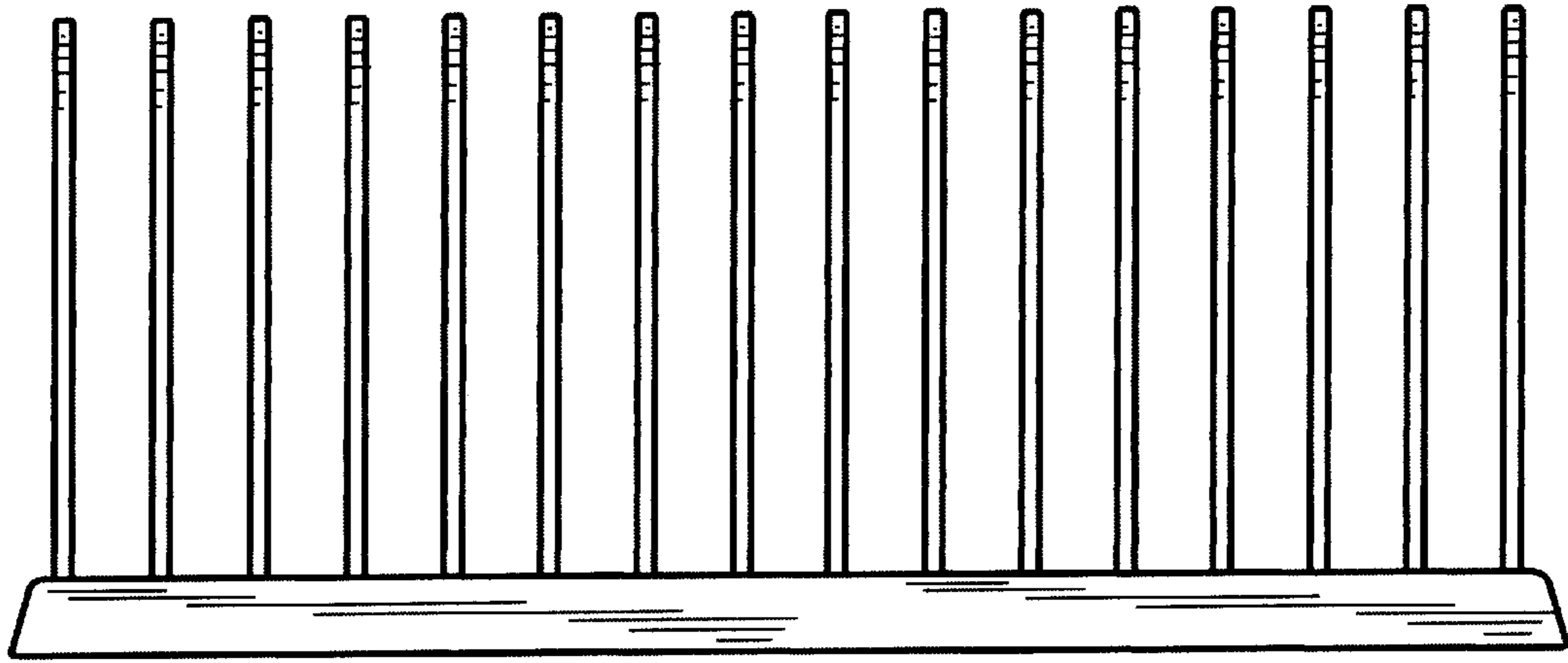


Figure 5

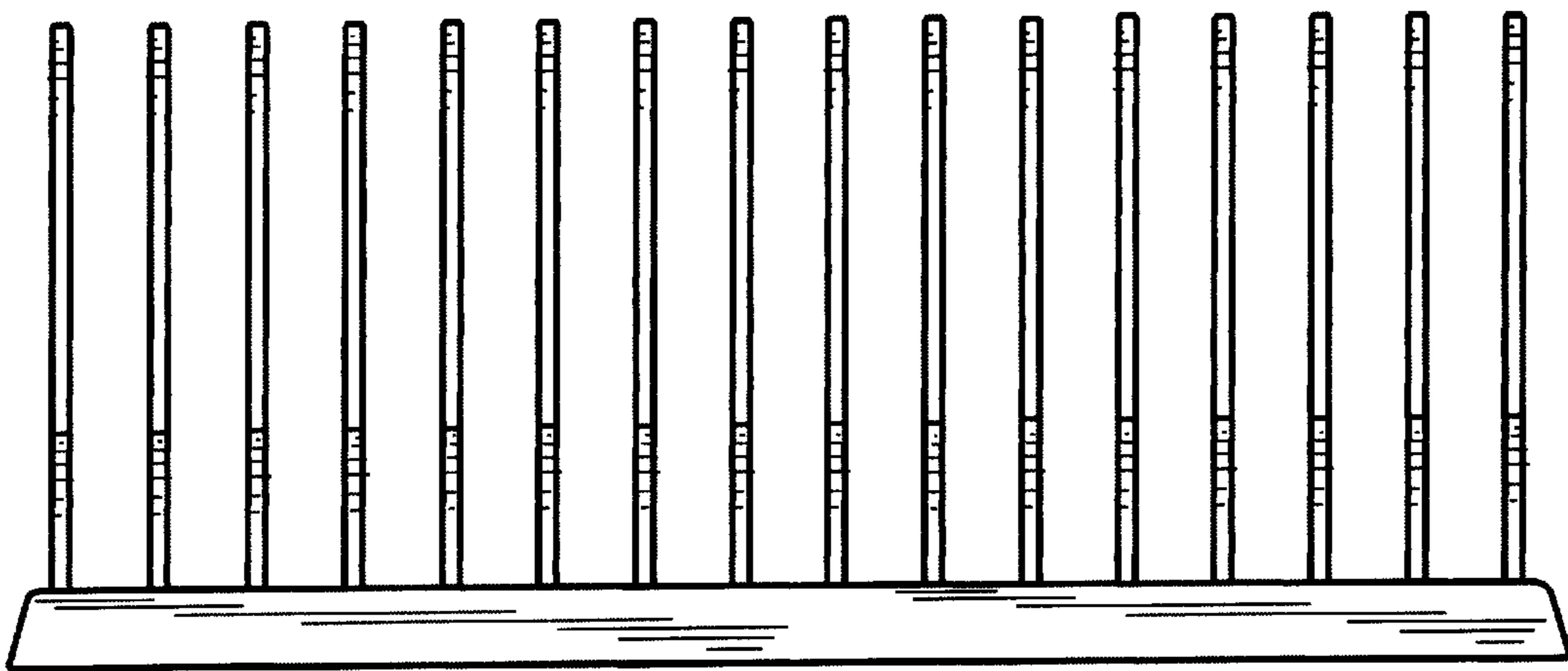


Figure 6

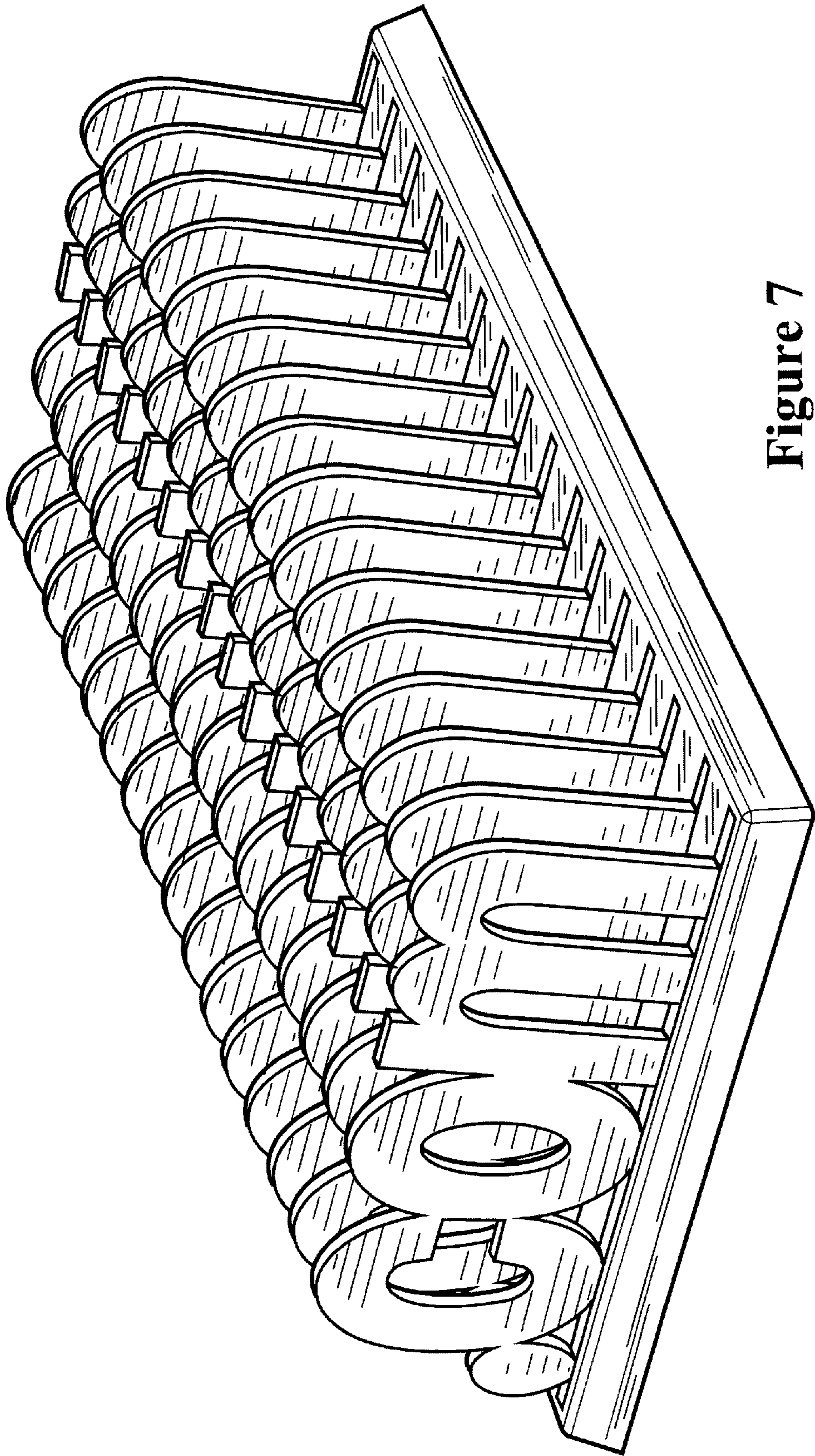


Figure 7

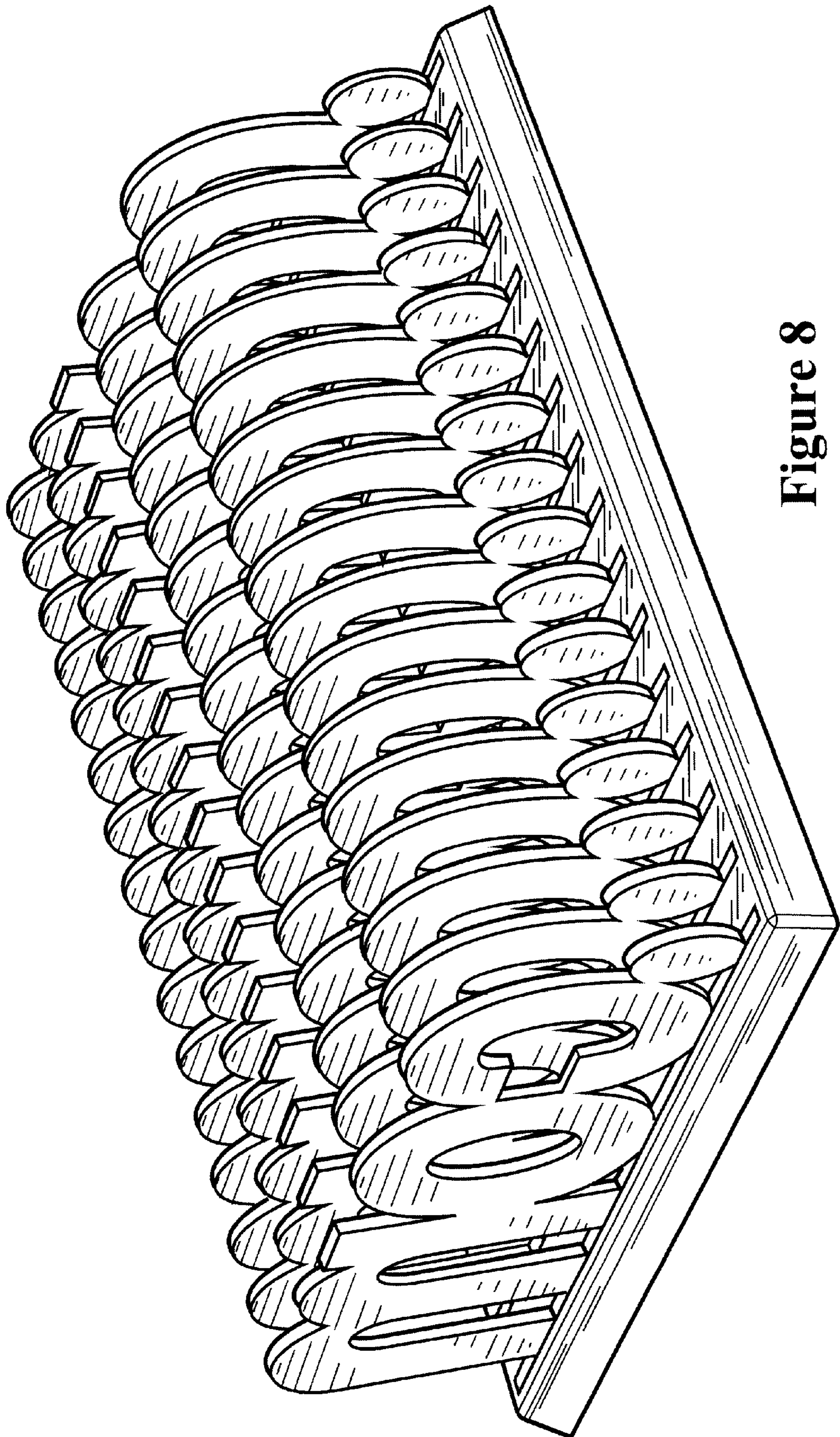


Figure 8