



US00D460487S

(12) **United States Design Patent**
Lay et al.

(10) **Patent No.:** **US D460,487 S**

(45) **Date of Patent:** **** Jul. 16, 2002**

(54) **TAPE DISPENSER**

(75) Inventors: **Roger F. Lay**, Woodbury; **Joseph J. Cieplak**, Hamden; **Philip L. White**, Prospect; **William A. Weirsman**, Orange, all of CT (US)

(73) Assignee: **Ascorn Hasler Mailing Systems, Inc.**, Shelton, CT (US)

(*) Notice: This patent is subject to a terminal disclaimer.

(**) Term: **14 Years**

(21) Appl. No.: **29/107,552**

(22) Filed: **Jul. 8, 1999**

(51) **LOC (7) Cl.** **19-02**

(52) **U.S. Cl.** **D19/69; D19/67**

(58) **Field of Search** D19/65, 67-69; 206/389, 395, 396, 397, 398, 411, 415; 225/6, 7, 9, 25, 34-36, 45-46, 56, 65, 77, 89; 156/327, 527, 577, 523; 242/588, 588.1-588.6; 220/133, 129

(56) **References Cited**

U.S. PATENT DOCUMENTS

D53,938 S * 10/1919 Shanklin D19/67

2,108,496 A	*	2/1938	Link	226/129
D126,732 S	*	4/1941	Reinecke	D19/69
D132,802 S	*	6/1942	Arens	D19/69
2,601,159 A	*	6/1952	Marsh	226/133
D171,546 S	*	2/1954	Lakso	D19/67
D190,298 S	*	5/1961	Krueger	D19/67
D192,489 S	*	3/1962	Krueger	D19/69
D382,594 S	*	8/1997	McDonald	D19/68

* cited by examiner

Primary Examiner—Martie K. Holtje

(74) *Attorney, Agent, or Firm*—Perman & Green, LLP

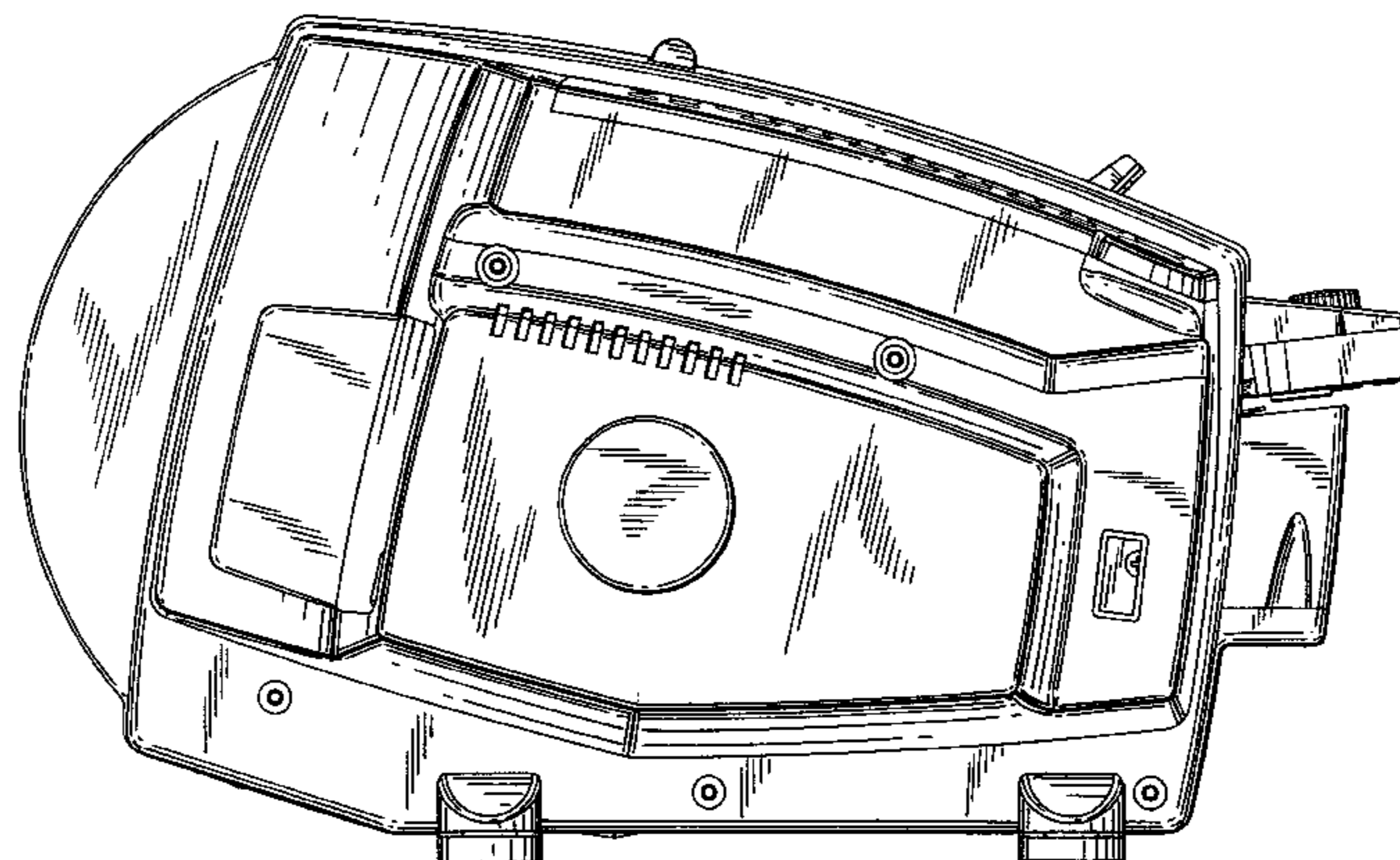
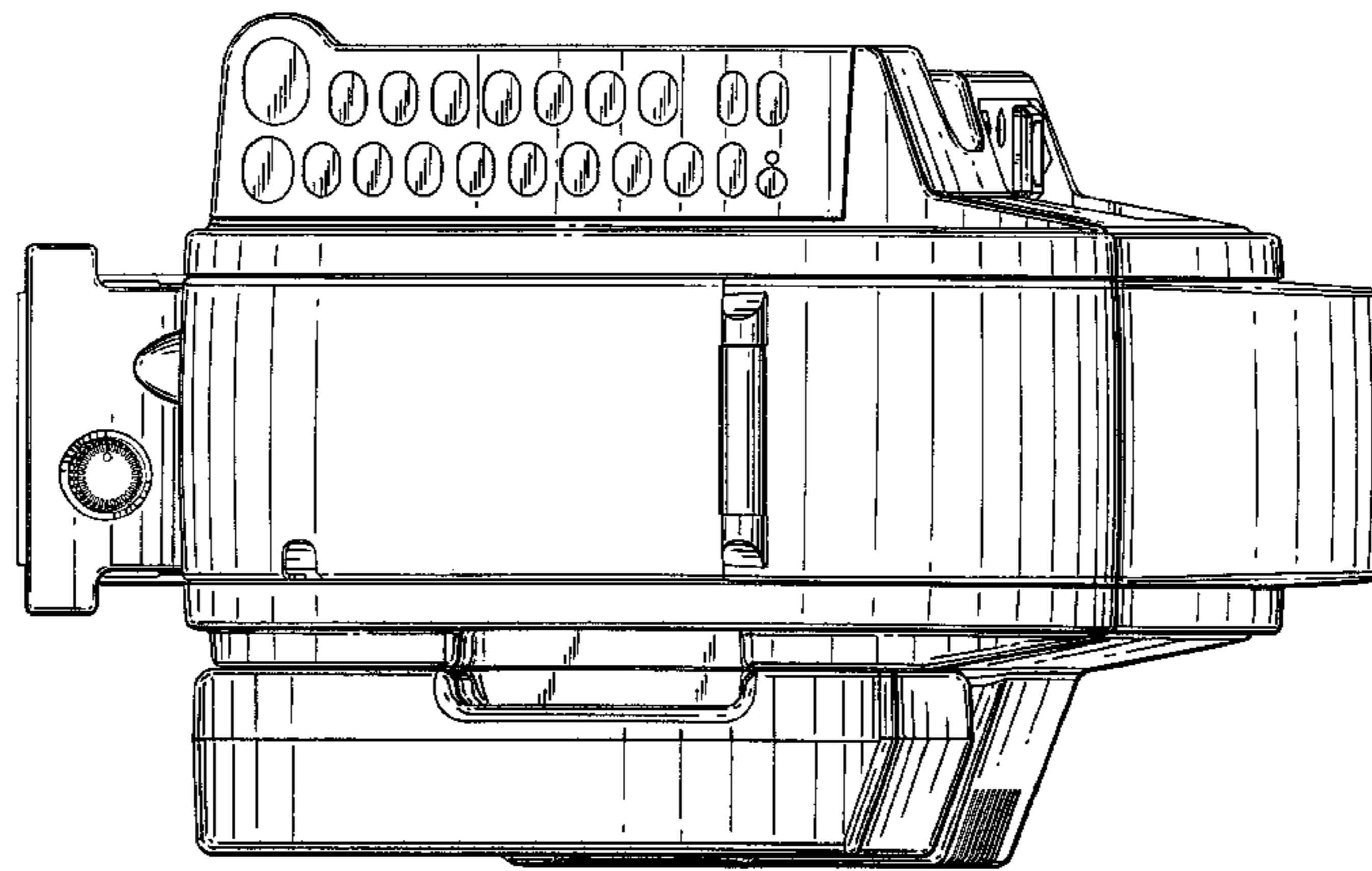
(57) **CLAIM**

The ornamental design for a tape dispenser, as shown.

DESCRIPTION

FIG. 1 is a top plan view thereof;
FIG. 2 is a left side elevation view thereof;
FIG. 3 is a right side elevation view thereof;
FIG. 4 is a front elevation view thereof;
FIG. 5 is a rear elevation view thereof; and,
FIG. 6 is a bottom plan view thereof.

1 Claim, 6 Drawing Sheets



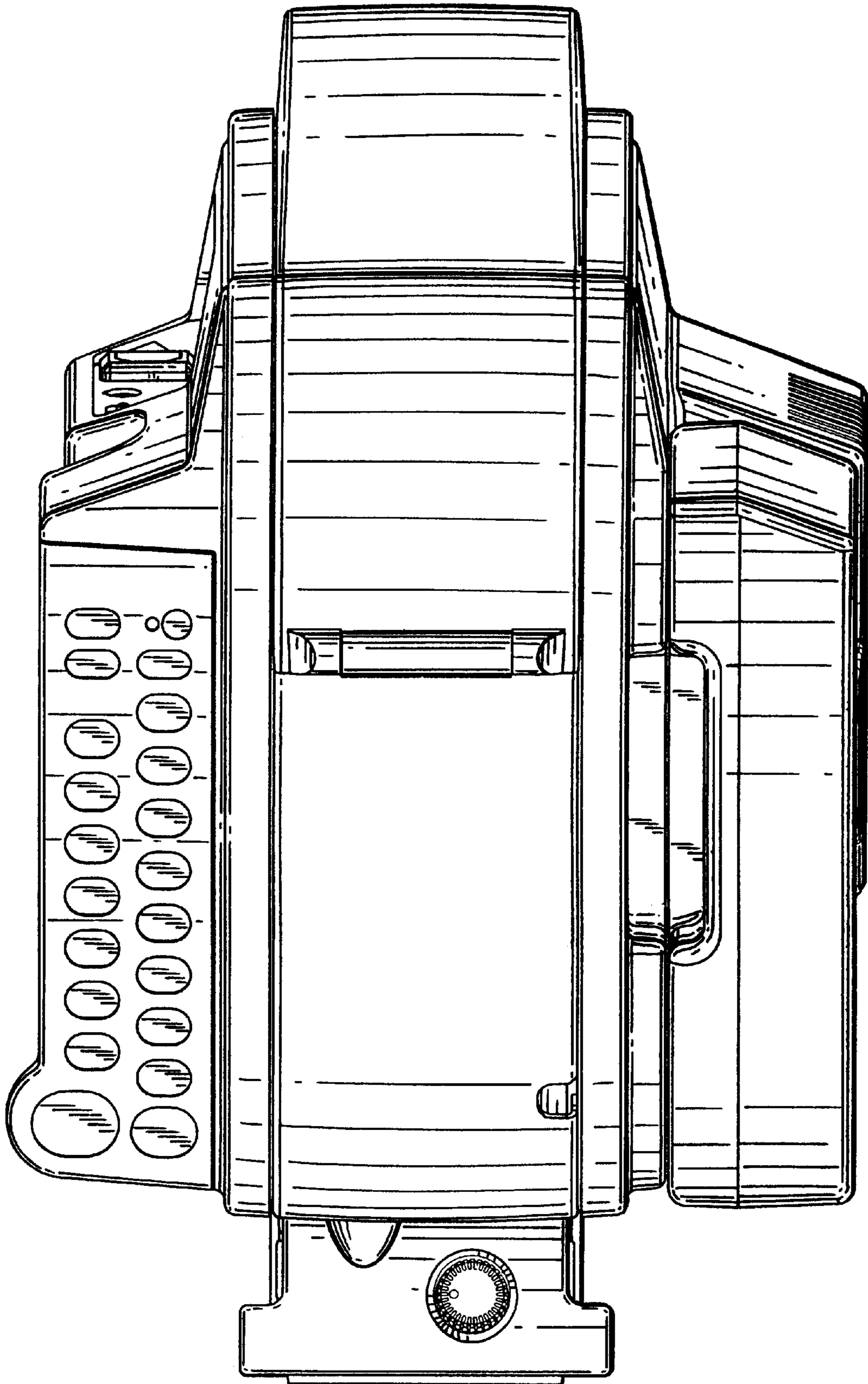


FIG. 1

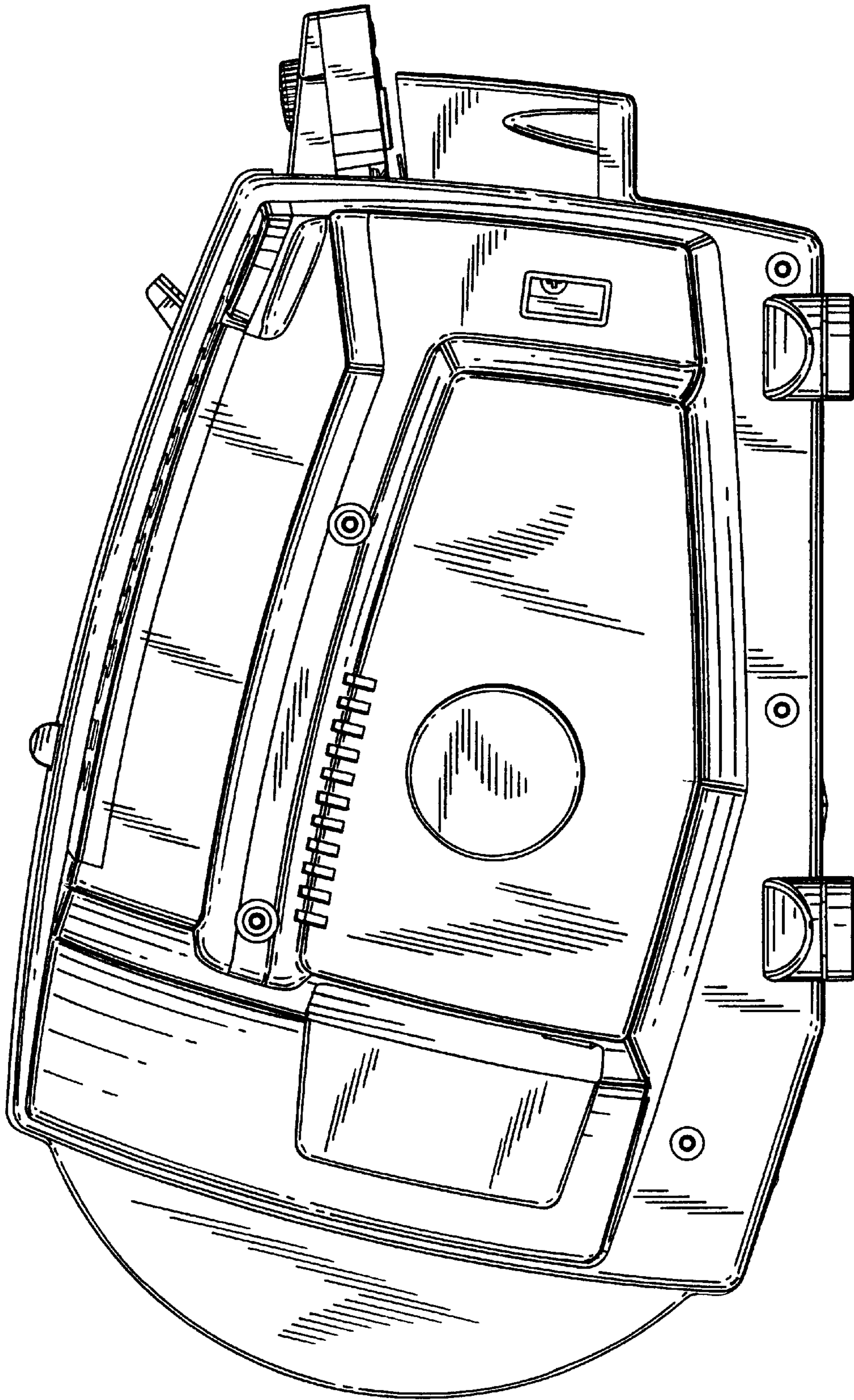


FIG.2

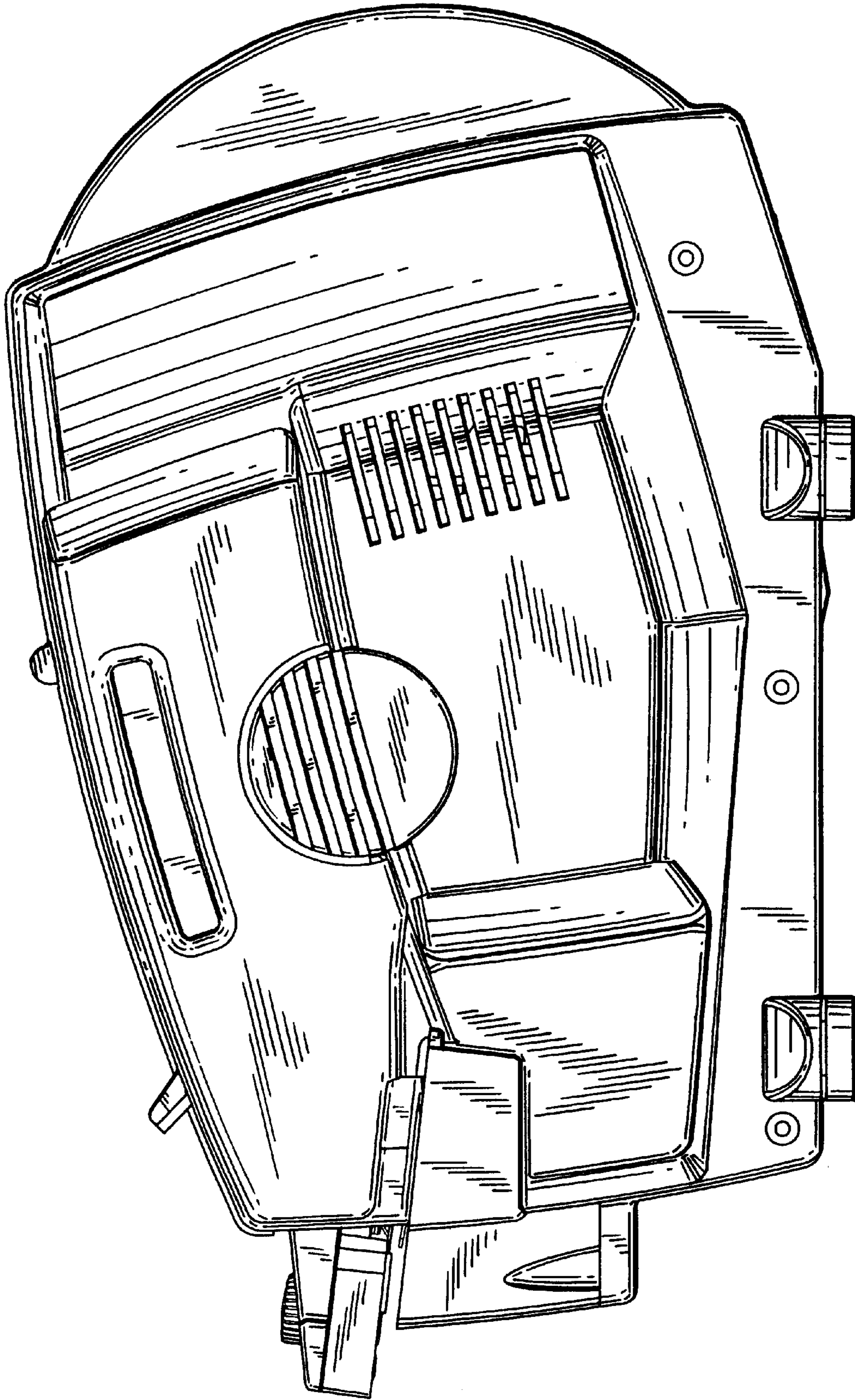


FIG. 3

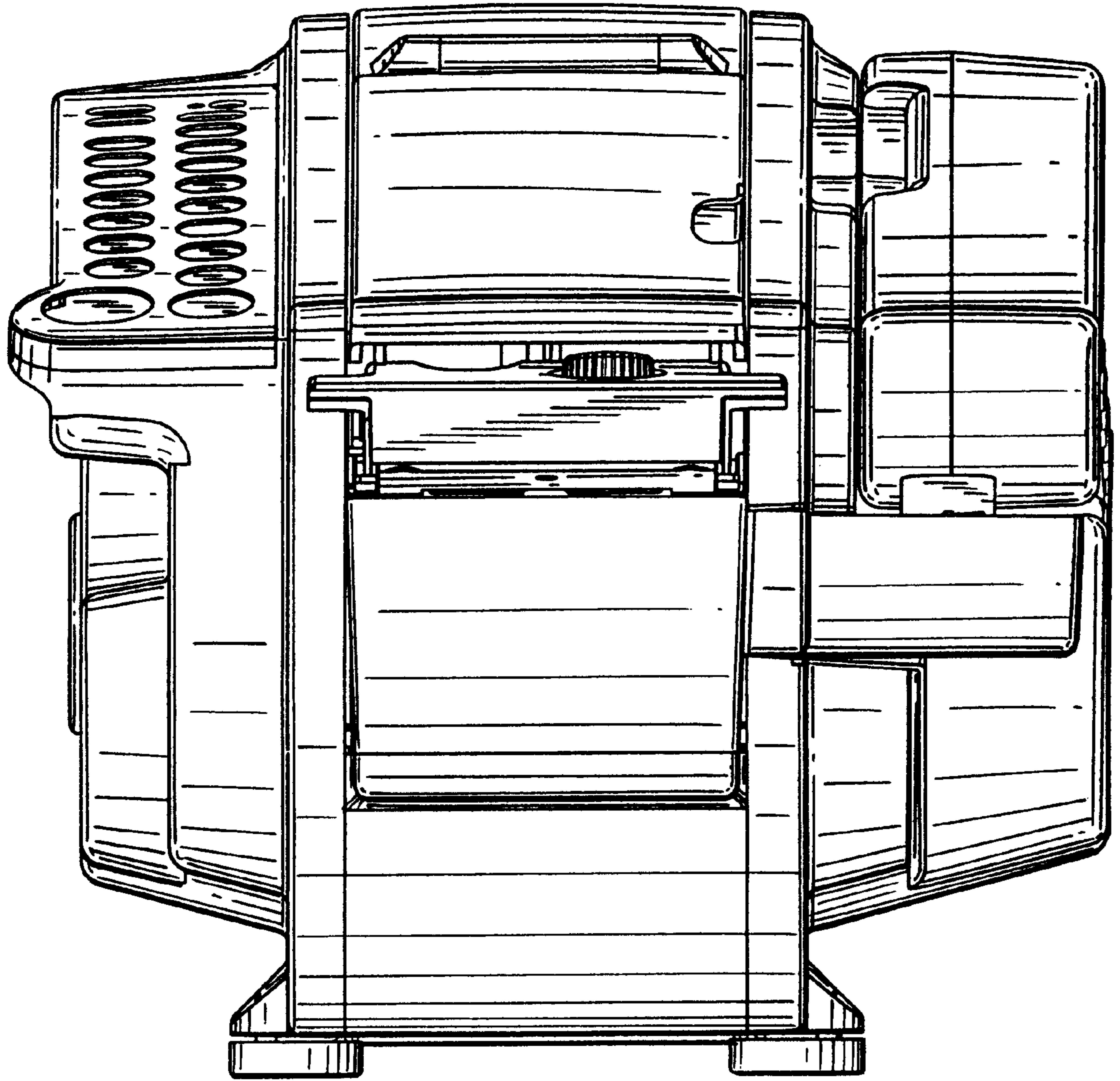


FIG.4

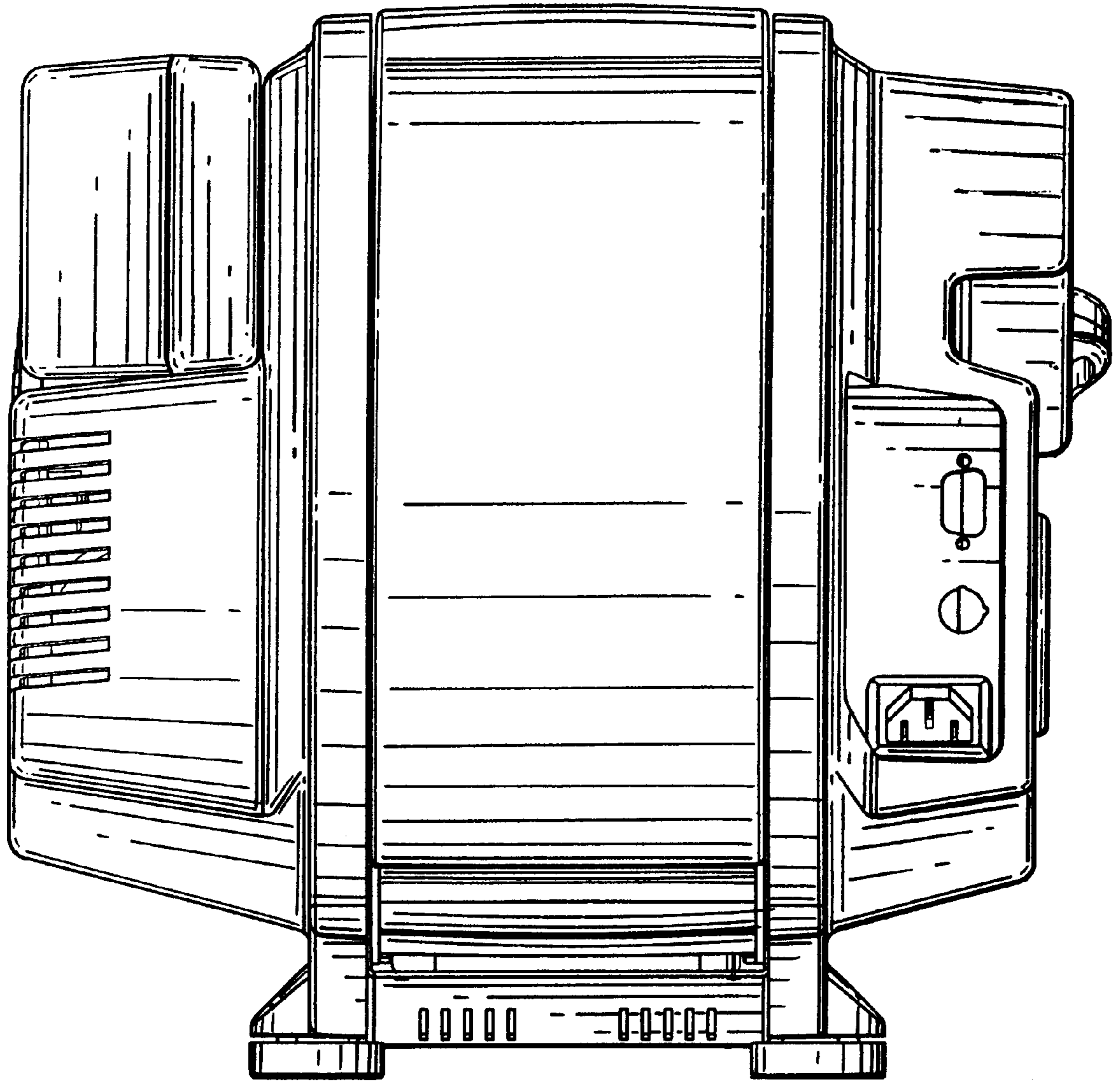


FIG.5

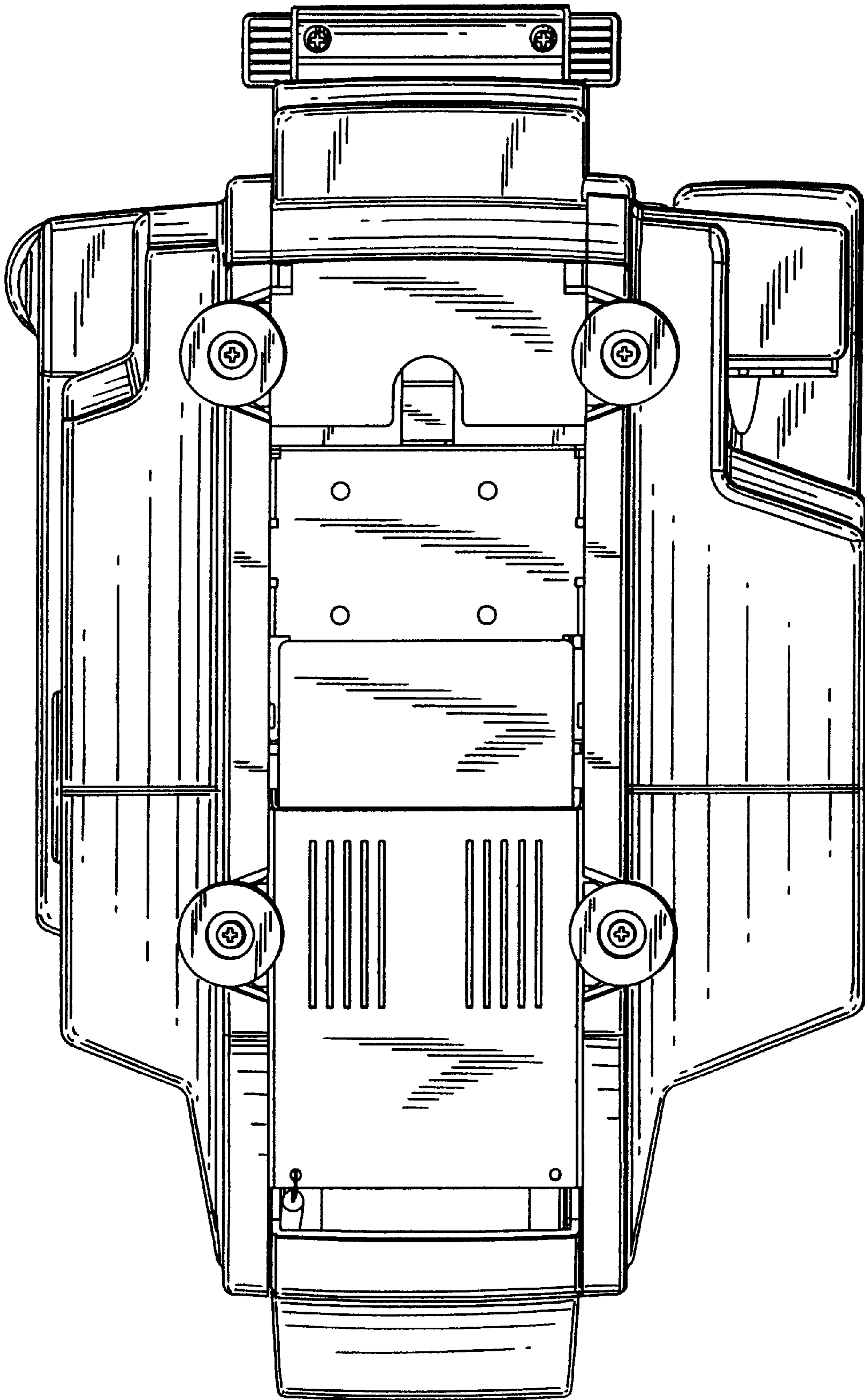


FIG. 6