



US00D460480S

(12) **United States Design Patent**
Yamada et al.

(10) **Patent No.:** **US D460,480 S**

(45) **Date of Patent:** **** Jul. 16, 2002**

(54) **INK CARTRIDGE**

(75) Inventors: **Manabu Yamada; Chiyoshige Nakazawa**, both of Suwa (JP)

(73) Assignee: **Seiko Epson Corporation**, Tokyo (JP)

(**) Term: **14 Years**

(21) Appl. No.: **29/128,010**

(22) Filed: **Aug. 17, 2000**

(30) **Foreign Application Priority Data**

Feb. 17, 2000 (JP) 2000-002846

(51) **LOC (7) Cl.** **18-02**

(52) **U.S. Cl.** **D18/56; 347/86**

(58) **Field of Search** **D18/43, 56; 347/86, 347/87**

(56) **References Cited**

U.S. PATENT DOCUMENTS

5,025,271	A	*	6/1991	Baker et al.	347/87
D334,403	S	*	3/1993	Kawakami	D18/56
D369,383	S	*	4/1996	Miyazawa et al.	D18/56
5,619,237	A	*	4/1997	Inoue et al.	347/86
D390,598	S	*	2/1998	Miyazawa et al.	D18/56
D418,159	S		12/1999	Nakazawa et al.	
D419,592	S		1/2000	Nakazawa et al.	
D438,241	S	*	2/2001	Shinada et al.	D18/56
6,206,513	B1	*	3/2001	Tajima et al.	347/86
D439,925	S	*	4/2001	Santhanam et al.	D18/56
D440,600	S	*	4/2001	Seino et al.	D18/56

* cited by examiner

Primary Examiner—Cathy Anne MacCormac
(74) *Attorney, Agent, or Firm*—Oliff & Berridge, PLC

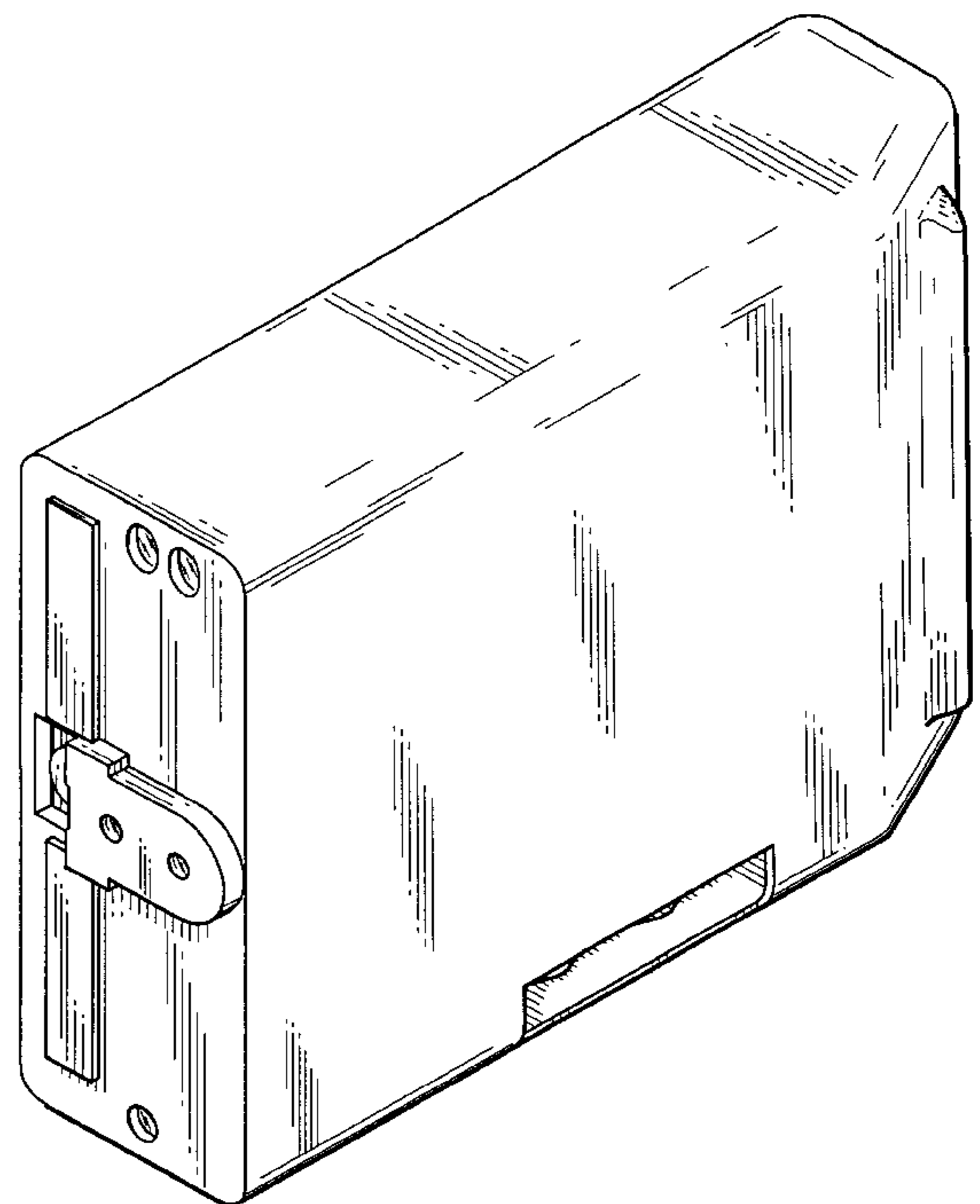
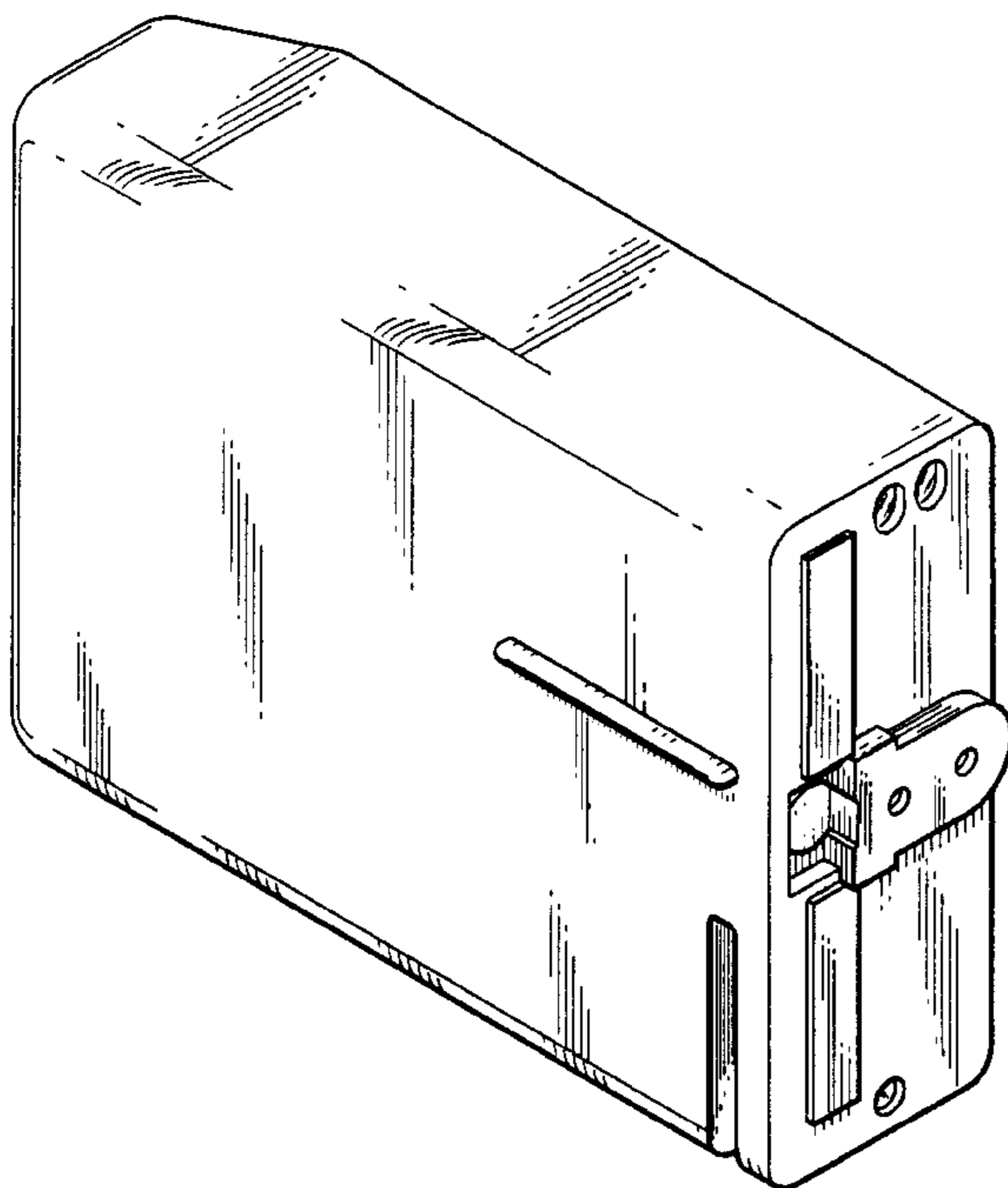
(57) **CLAIM**

The ornamental design for ink cartridge, as shown and described.

DESCRIPTION

FIG. 1 is a front view of the ink cartridge;
 FIG. 2 is a rear view thereof;
 FIG. 3 is a top view thereof;
 FIG. 4 is a bottom view thereof;
 FIG. 5 is a right side view thereof;
 FIG. 6 is a left side view thereof;
 FIG. 7 is a cross-sectional view thereof taken along the line 7—7 of FIG. 1;
 FIG. 8 is a cross-sectional view thereof taken along the line 8—8 of FIG. 2;
 FIG. 9 is a cross-sectional view thereof taken along the line 9—9 of FIG. 2;
 FIG. 10 is a cross-sectional view thereof taken along the line 10—10 of FIG. 5;
 FIG. 11 is a cross-sectional view thereof taken along the line 11—11 of FIG. 5;
 FIG. 12 is a cross-sectional view thereof taken along the line 12—12 of FIG. 5;
 FIG. 13 is a cross-sectional view thereof taken along the line 13—13 of FIG. 5;
 FIG. 14 is a perspective view thereof from one side; and,
 FIG. 15 is a perspective view thereof from another side.

1 Claim, 8 Drawing Sheets



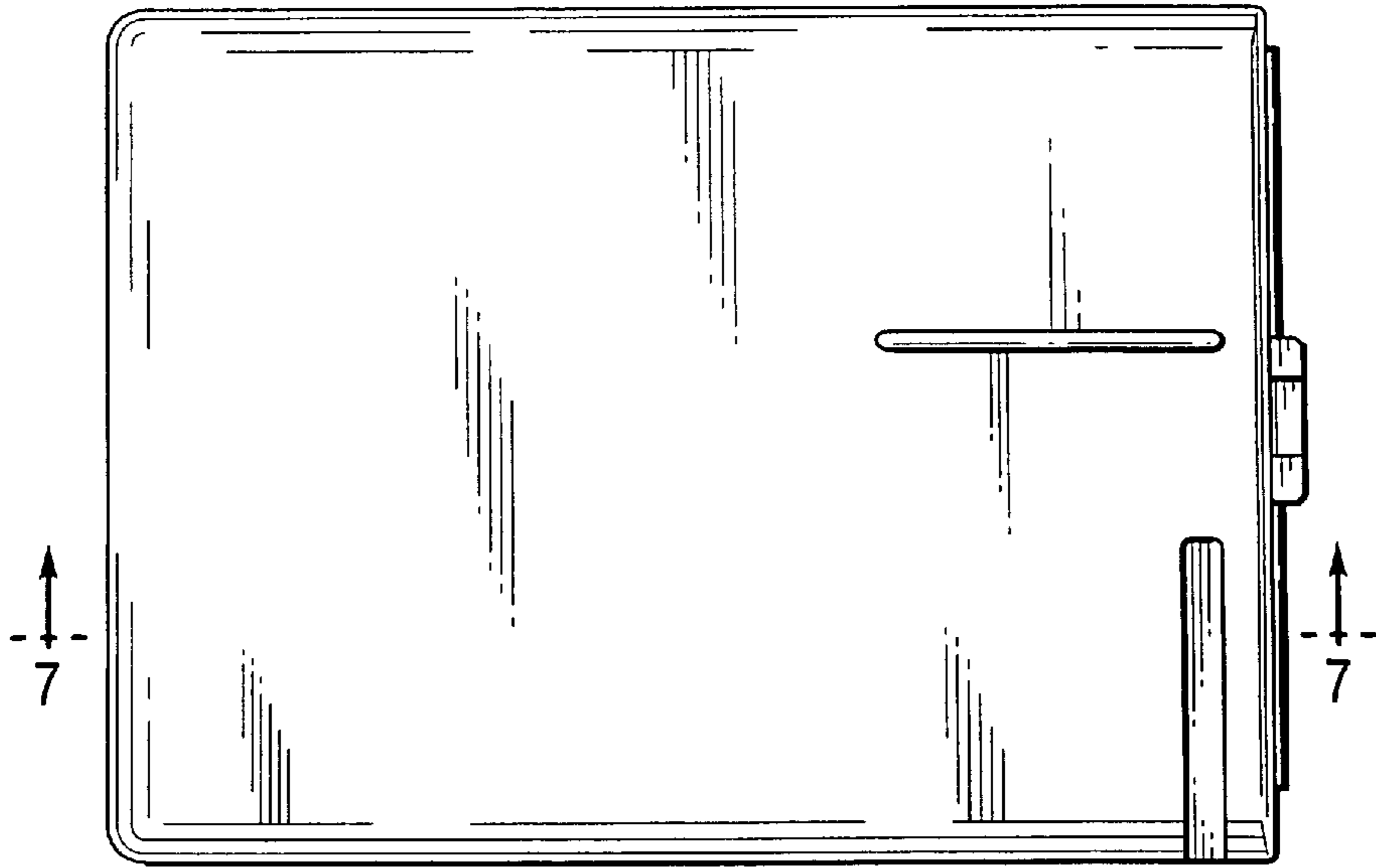


Fig. 1

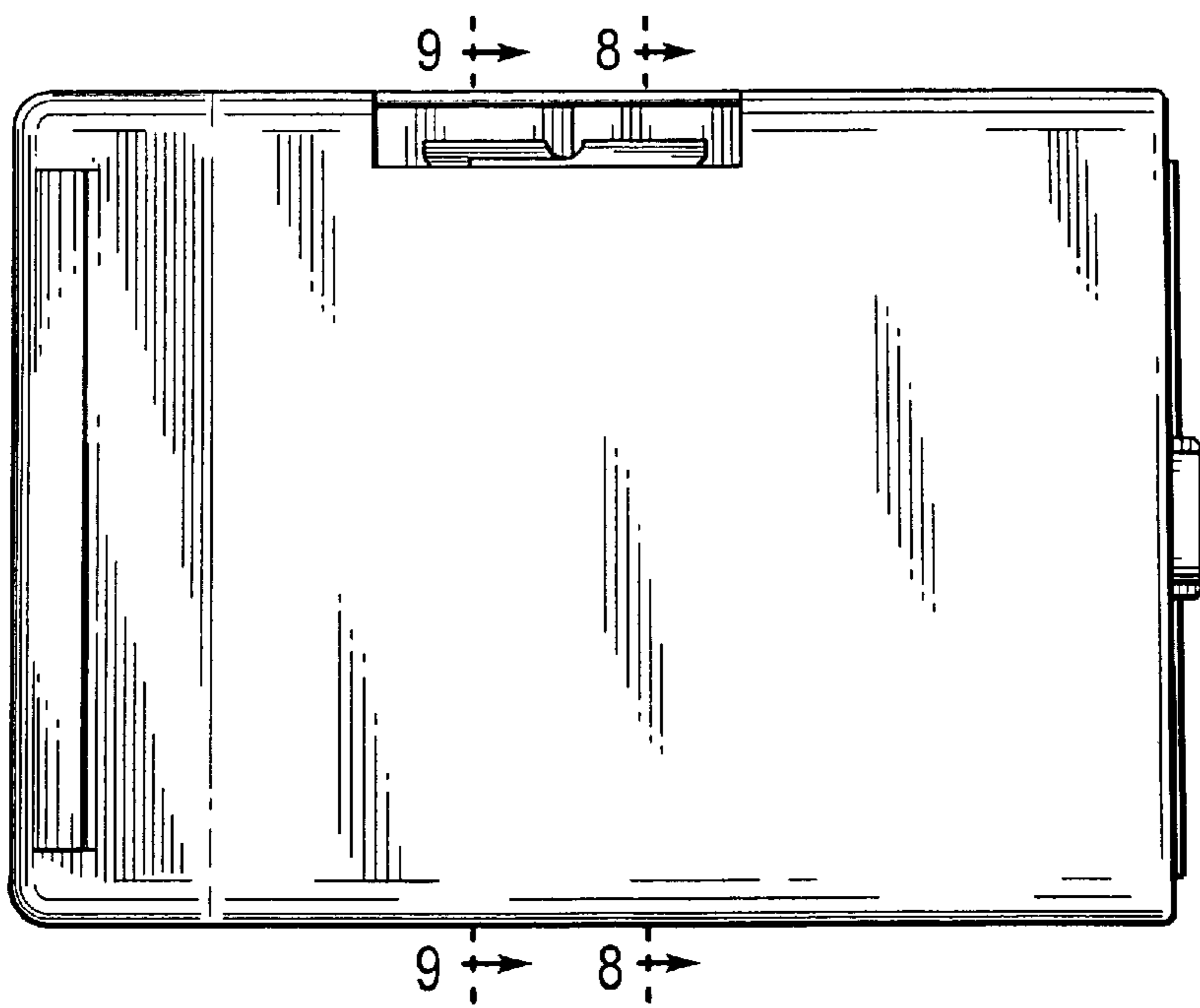


Fig. 2

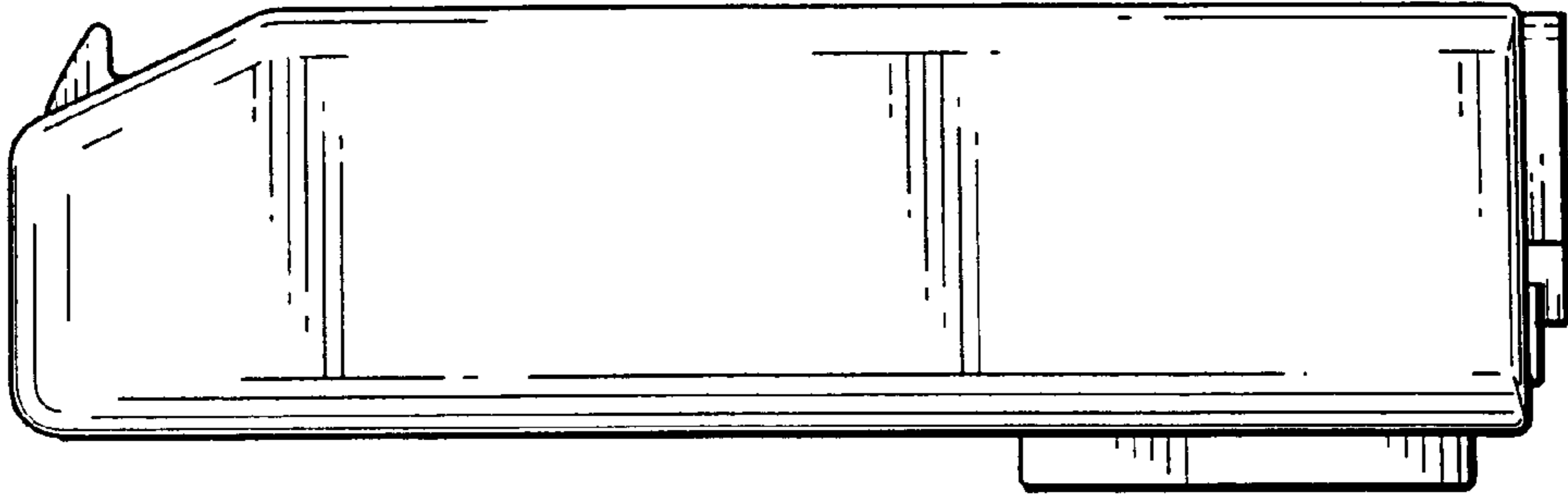


Fig. 3

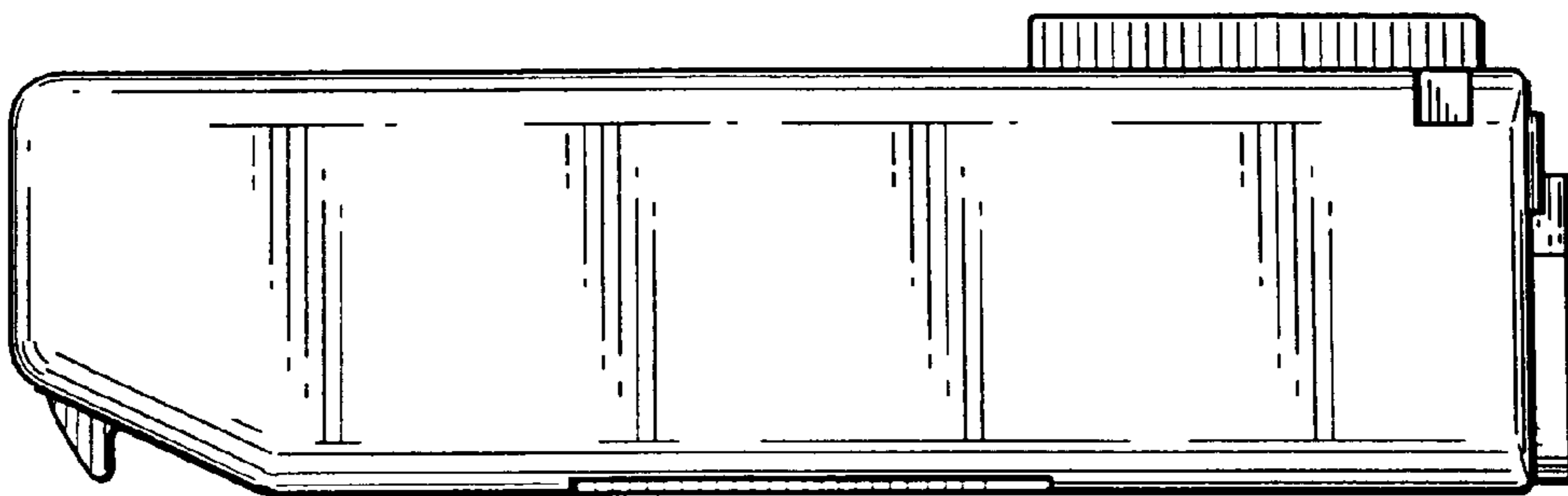


Fig. 4

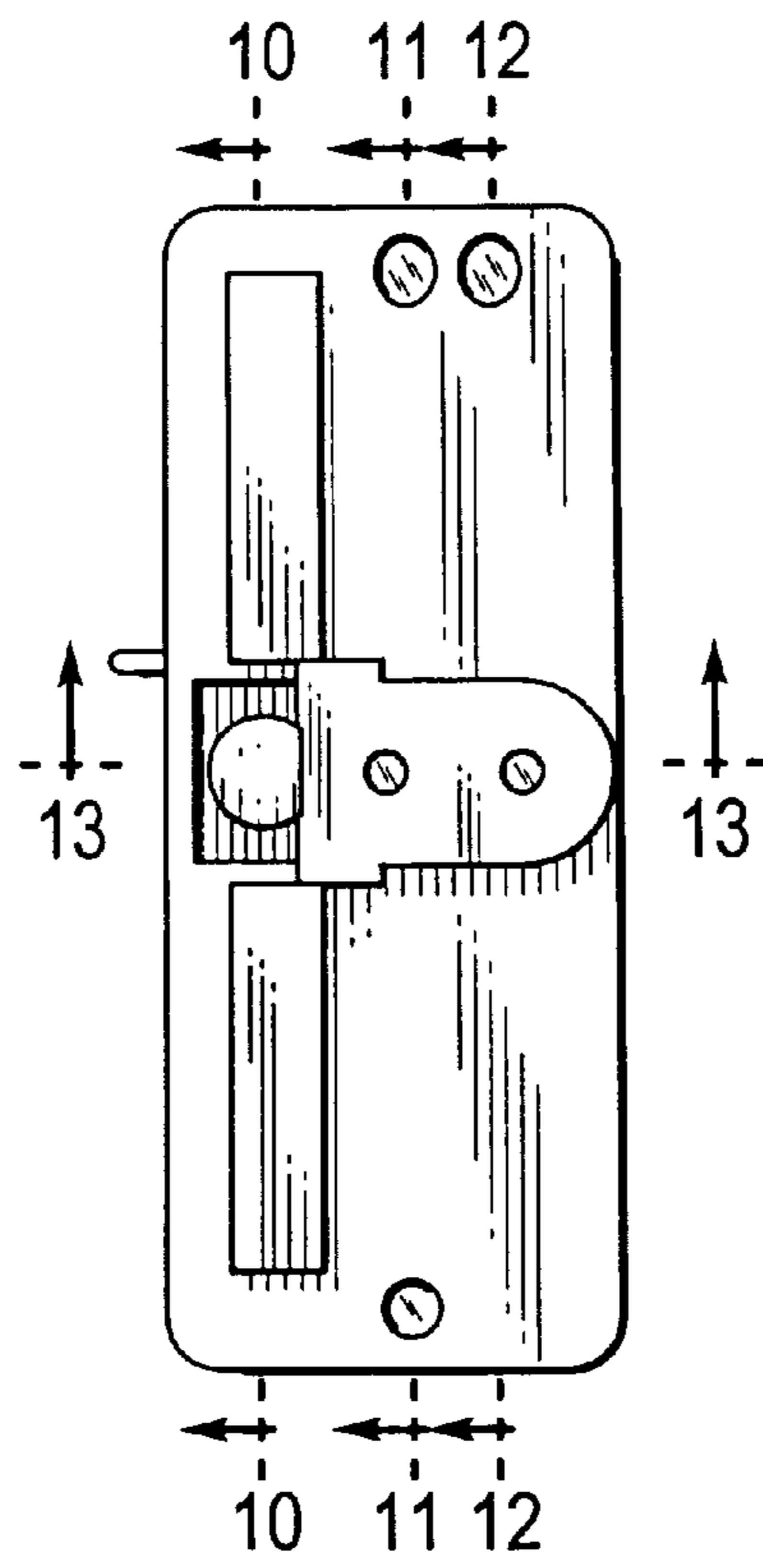


Fig. 5

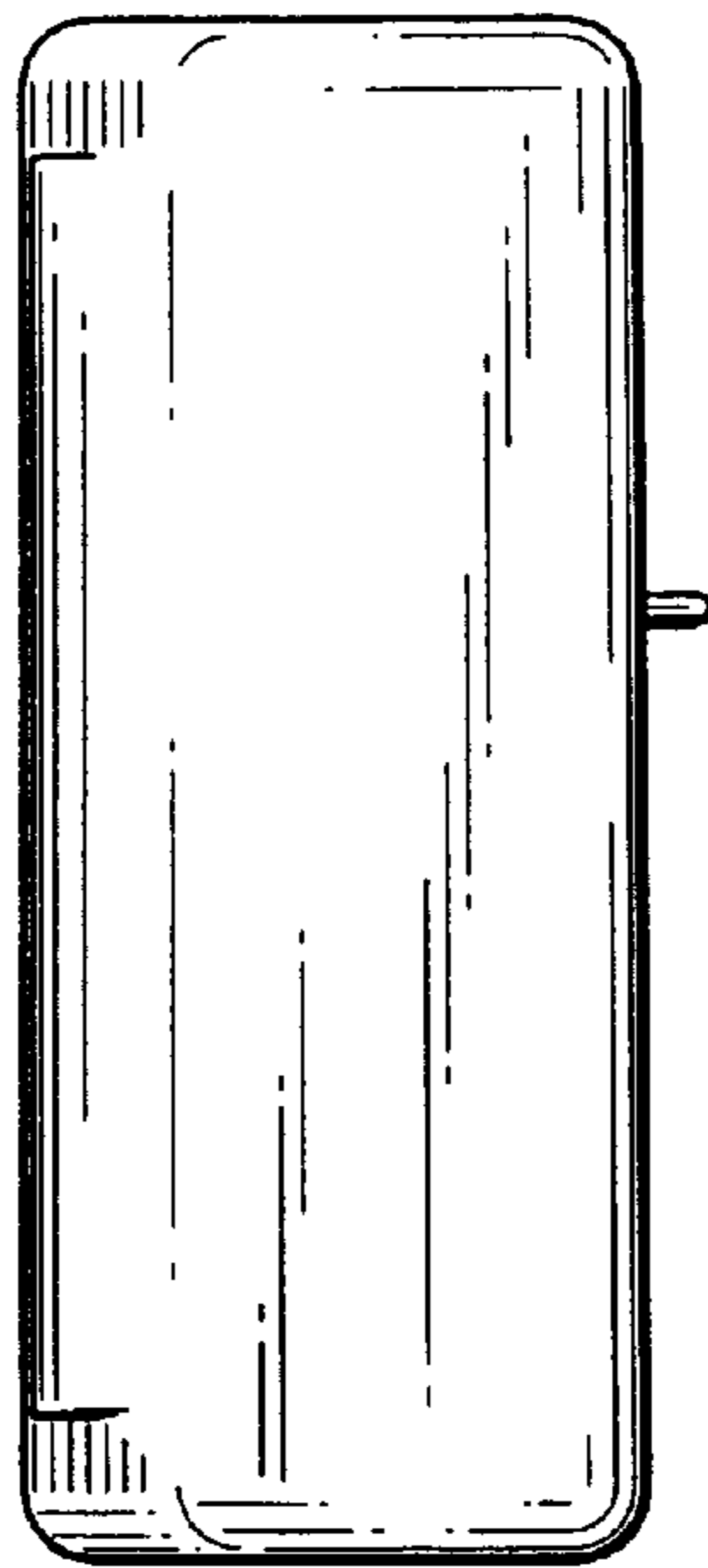


Fig. 6

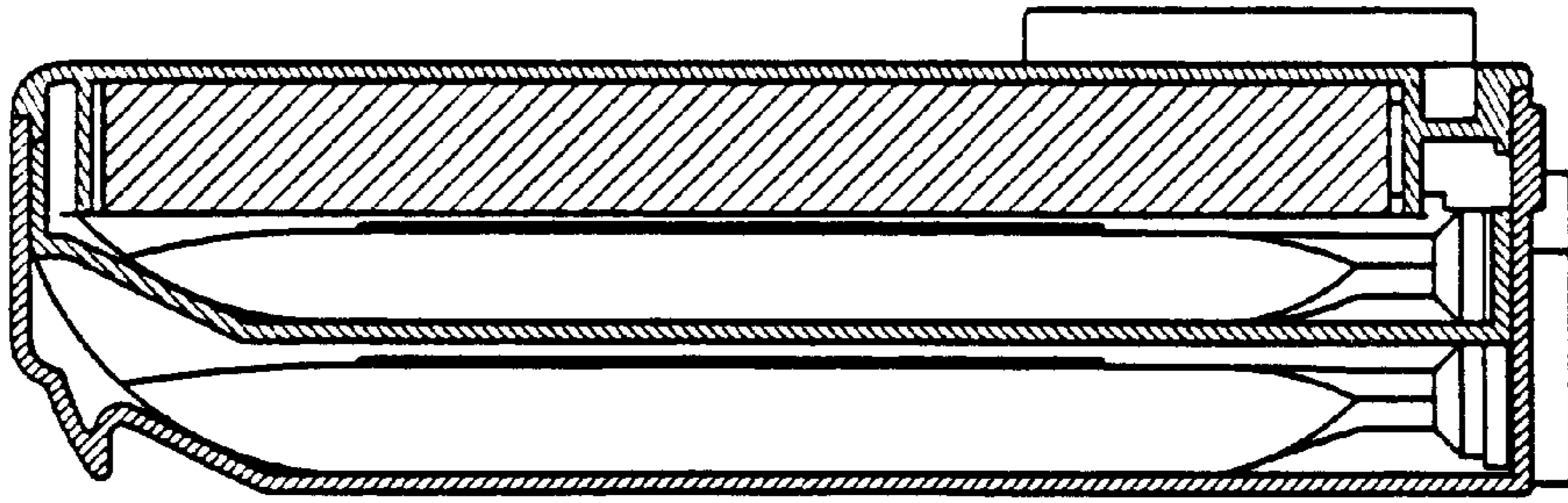


Fig. 7

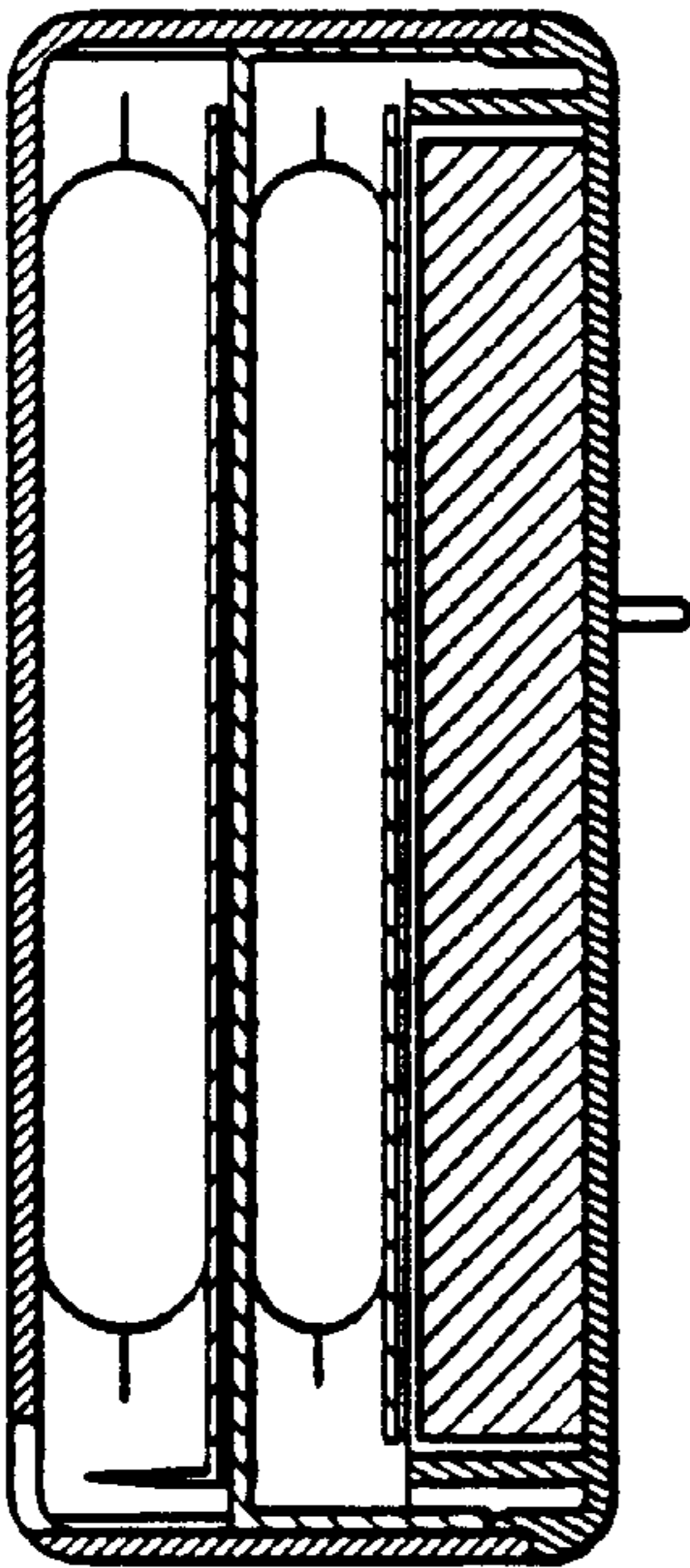


Fig. 8

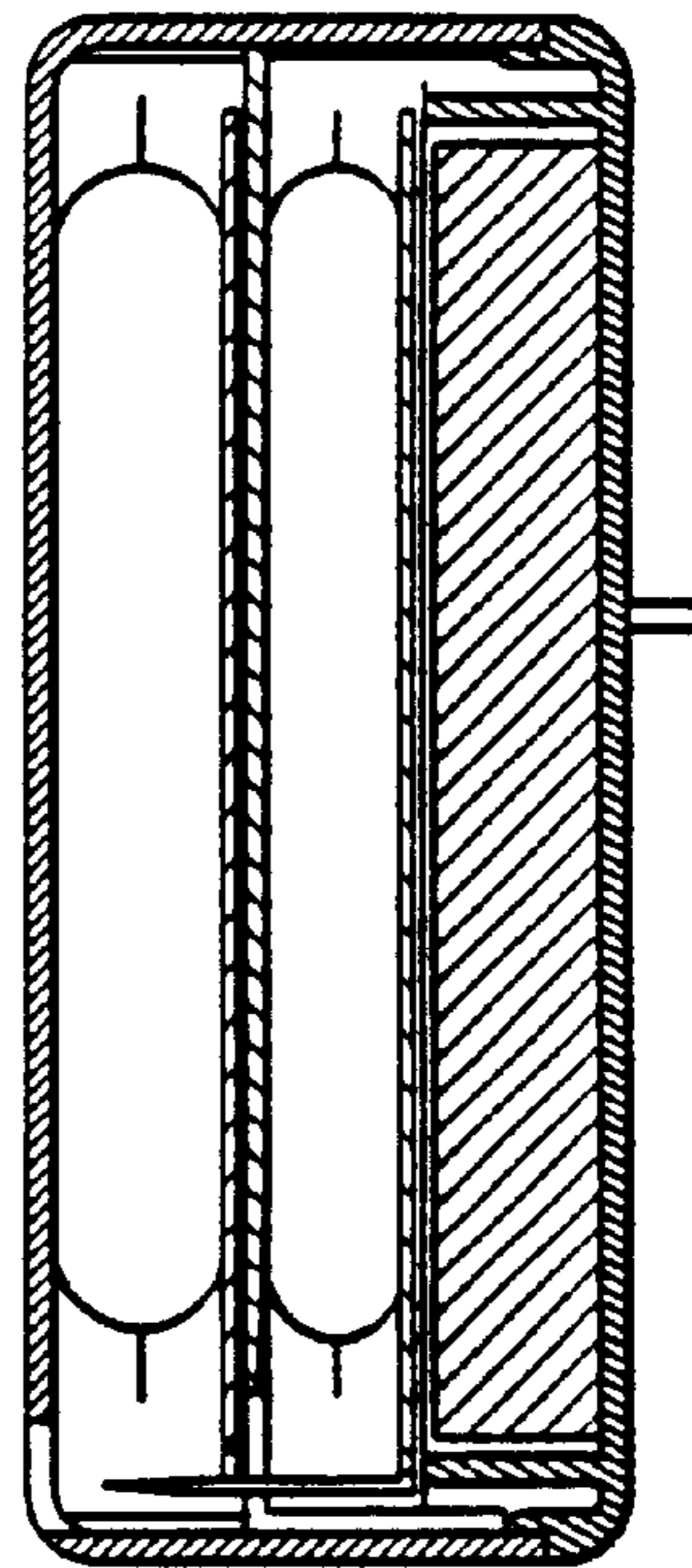


Fig. 9

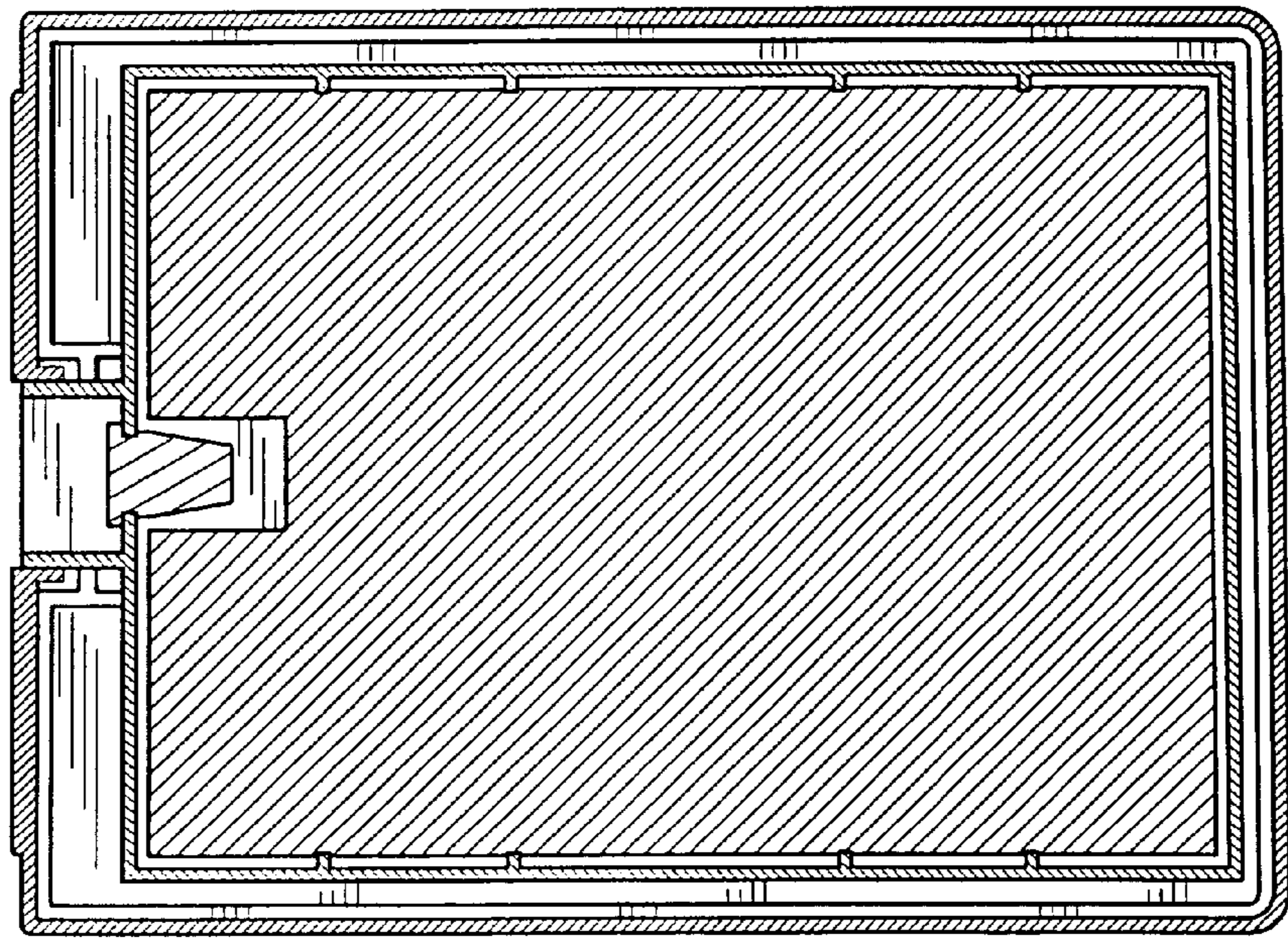


Fig. 10

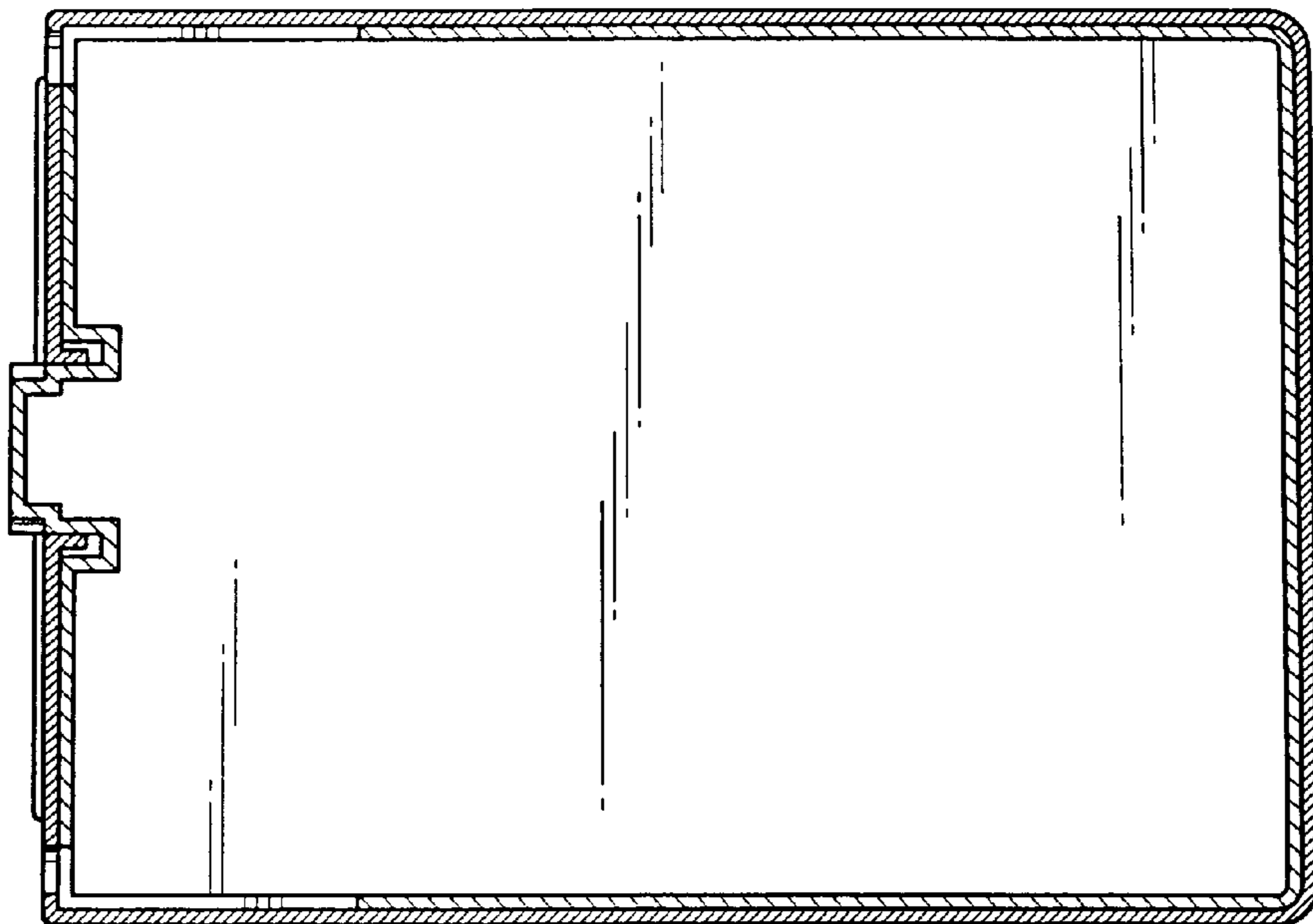


Fig. 11

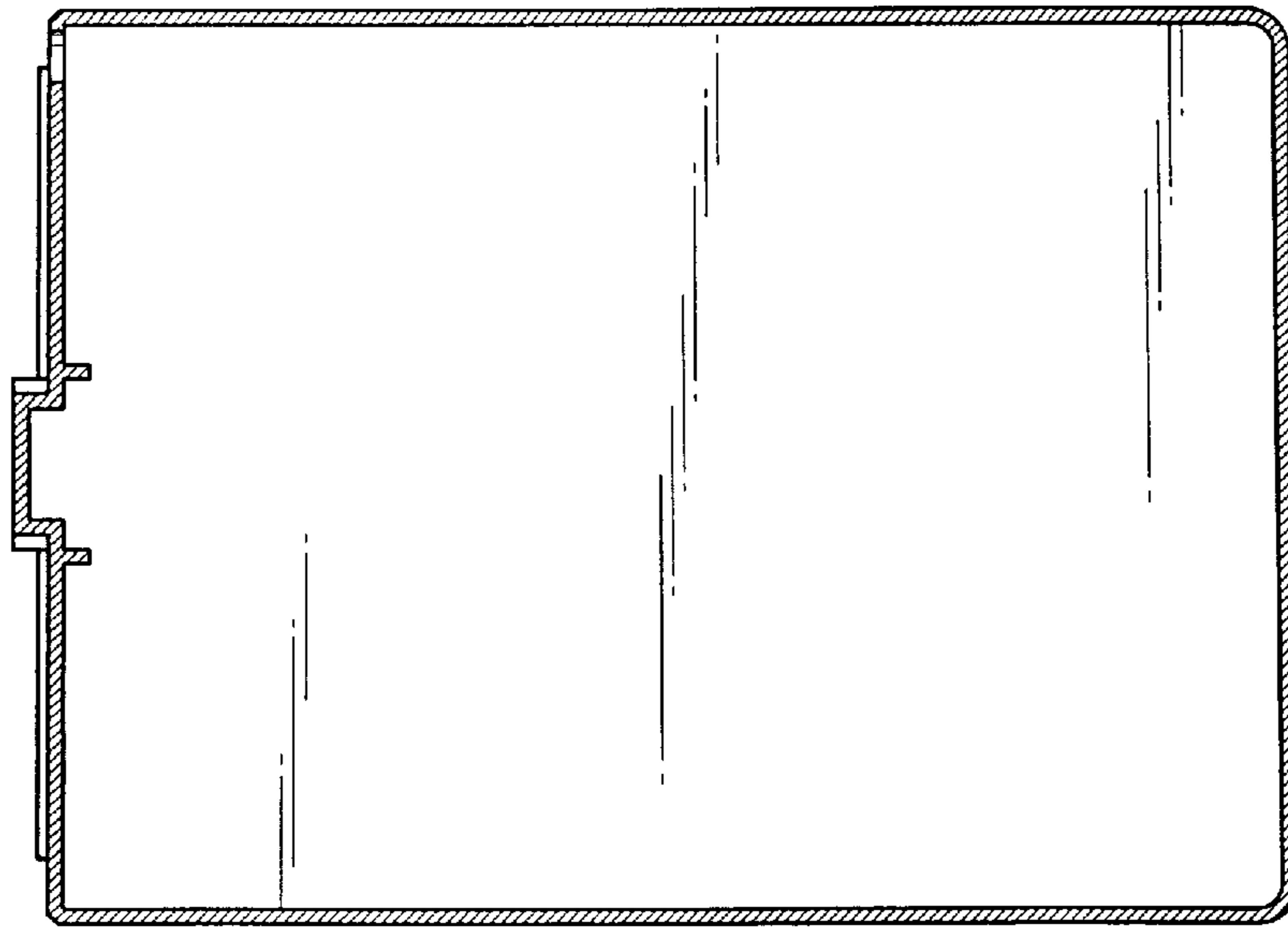


Fig. 12

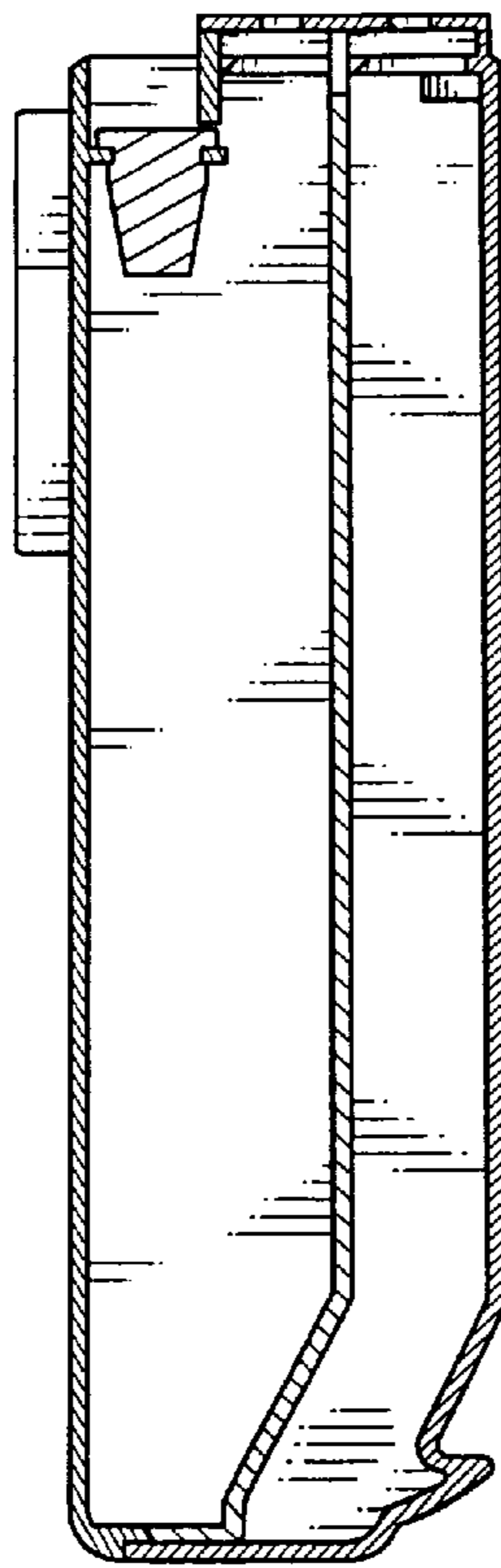


Fig. 13

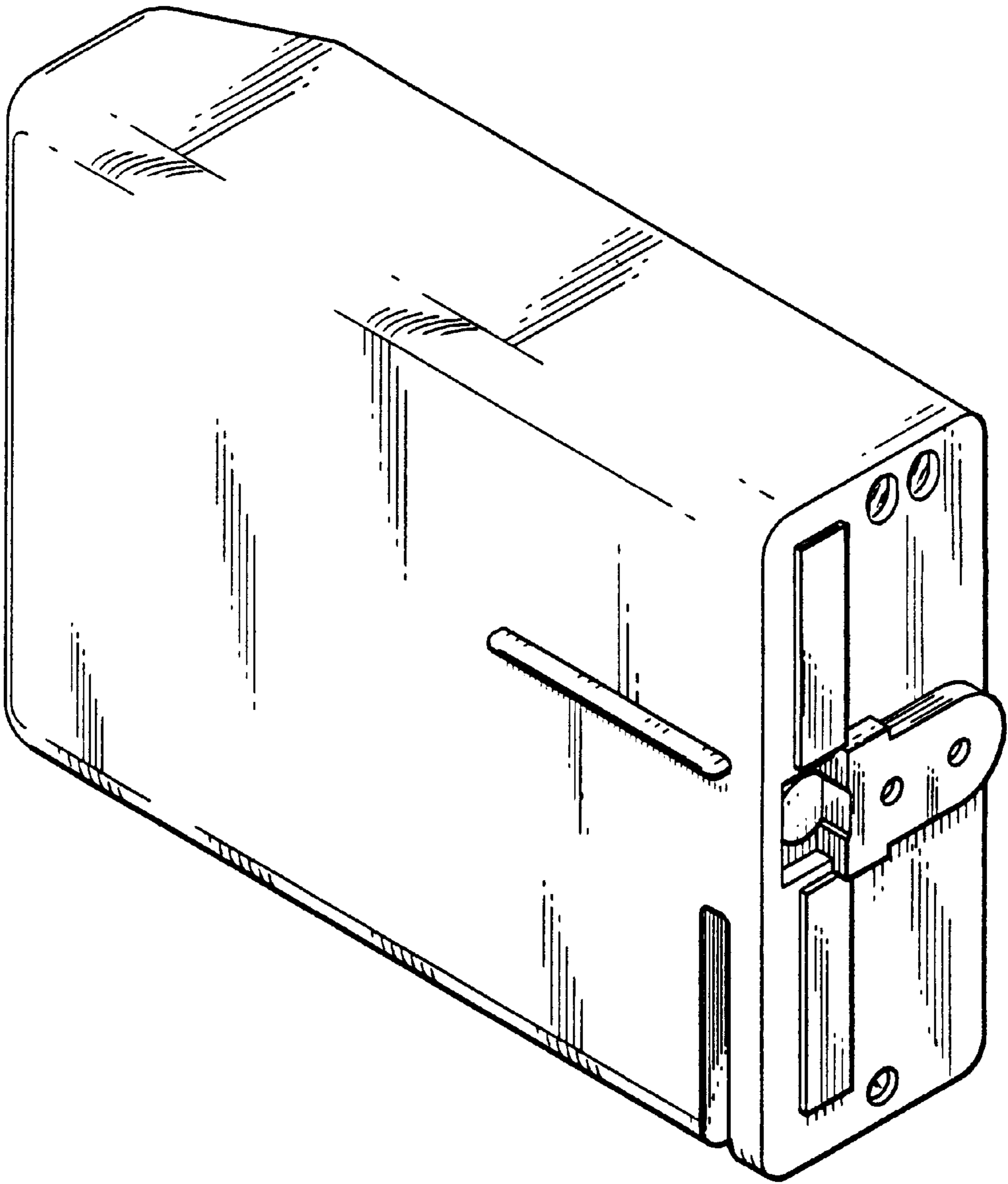


Fig. 14

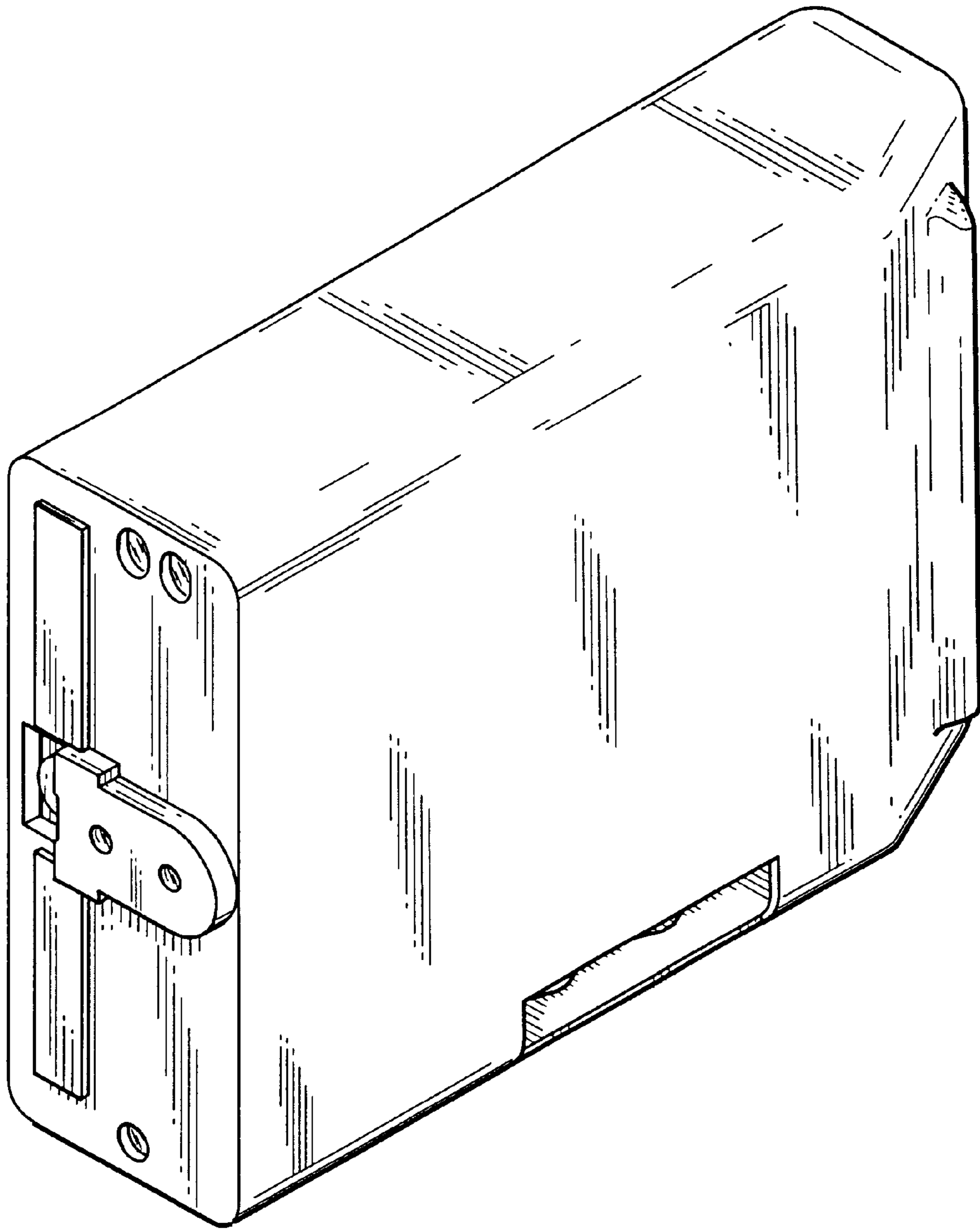


Fig. 15