



US00D460478S

(12) **United States Design Patent**
Bishop et al.

(10) **Patent No.: US D460,478 S**

(45) **Date of Patent: ** Jul. 16, 2002**

(54) **PRINTER**

(75) Inventors: **David Carl Bishop**, Versailles; **William Michael Connors**; **John Wayne Gassett**, both of Lexington, all of KY (US)

(73) Assignee: **Lexmark International, Inc.**, Lexington, KY (US)

(*) Notice: This patent is subject to a terminal disclaimer.

(**) Term: **14 Years**

(21) Appl. No.: **29/137,060**

(22) Filed: **Feb. 12, 2001**

(51) **LOC (7) Cl.** **14-02**

(52) **U.S. Cl.** **D18/55**

(58) **Field of Search** D18/50, 54-55; D14/462-470; 400/613, 613.1-613.4, 691-694, 690.1-690.4

(56) **References Cited**

U.S. PATENT DOCUMENTS

5,775,825 A * 7/1998 Hong et al. 400/693
D413,142 S * 8/1999 Pangburn D18/55

D438,894 S * 3/2001 Bishop et al. D18/55
D438,895 S * 3/2001 Pangburn D18/55
D439,608 S * 3/2001 Gassett et al. D18/55
D441,012 S * 4/2001 Kawahara et al. D18/55
D444,813 S * 7/2001 Quijano D18/55
D445,823 S * 7/2001 Kawahara et al. D18/50

* cited by examiner

Primary Examiner—Cathy Anne MacCormac

(57) **CLAIM**

The ornamental design for a printer, as shown and described.

DESCRIPTION

FIG. 1 is a top front, right side perspective view of a printer showing our new design, with paper trays extended; FIG. 2 is a top front right side perspective view thereof, with paper trays closed; FIG. 3 is a front elevational view thereof; FIG. 4 is a rear elevational view thereof; FIG. 5 is a left side elevational view thereof; FIG. 6 is a right side elevational view thereof; and, FIG. 7 is a top plan view thereof. The broken lines are for purposes of illustration only and form no part of the claimed design. The bottom of this printer normally rests on a surface and is not seen nor intended to be seen as a part of our new design.

1 Claim, 5 Drawing Sheets

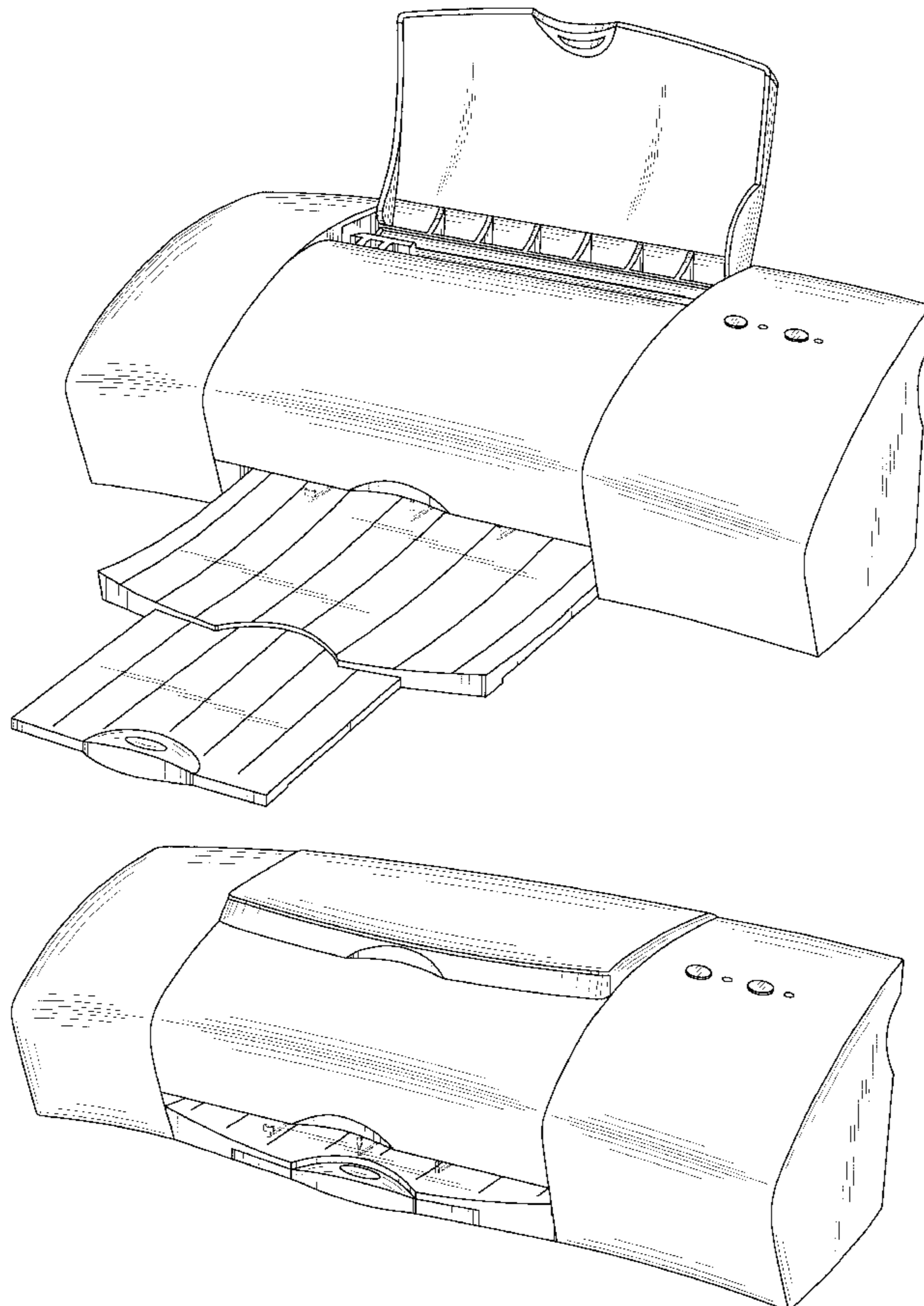


FIG. 1

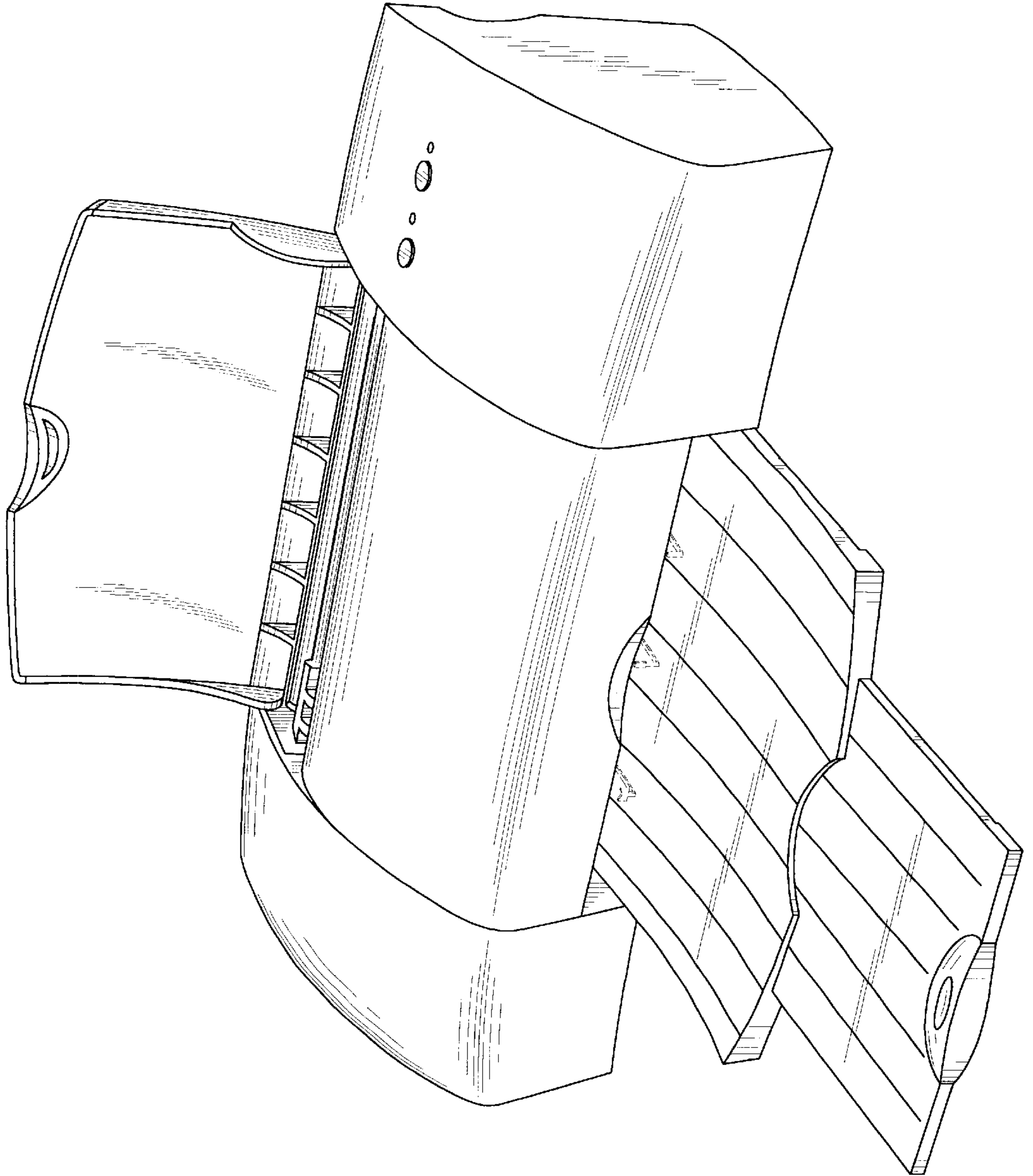


FIG. 2

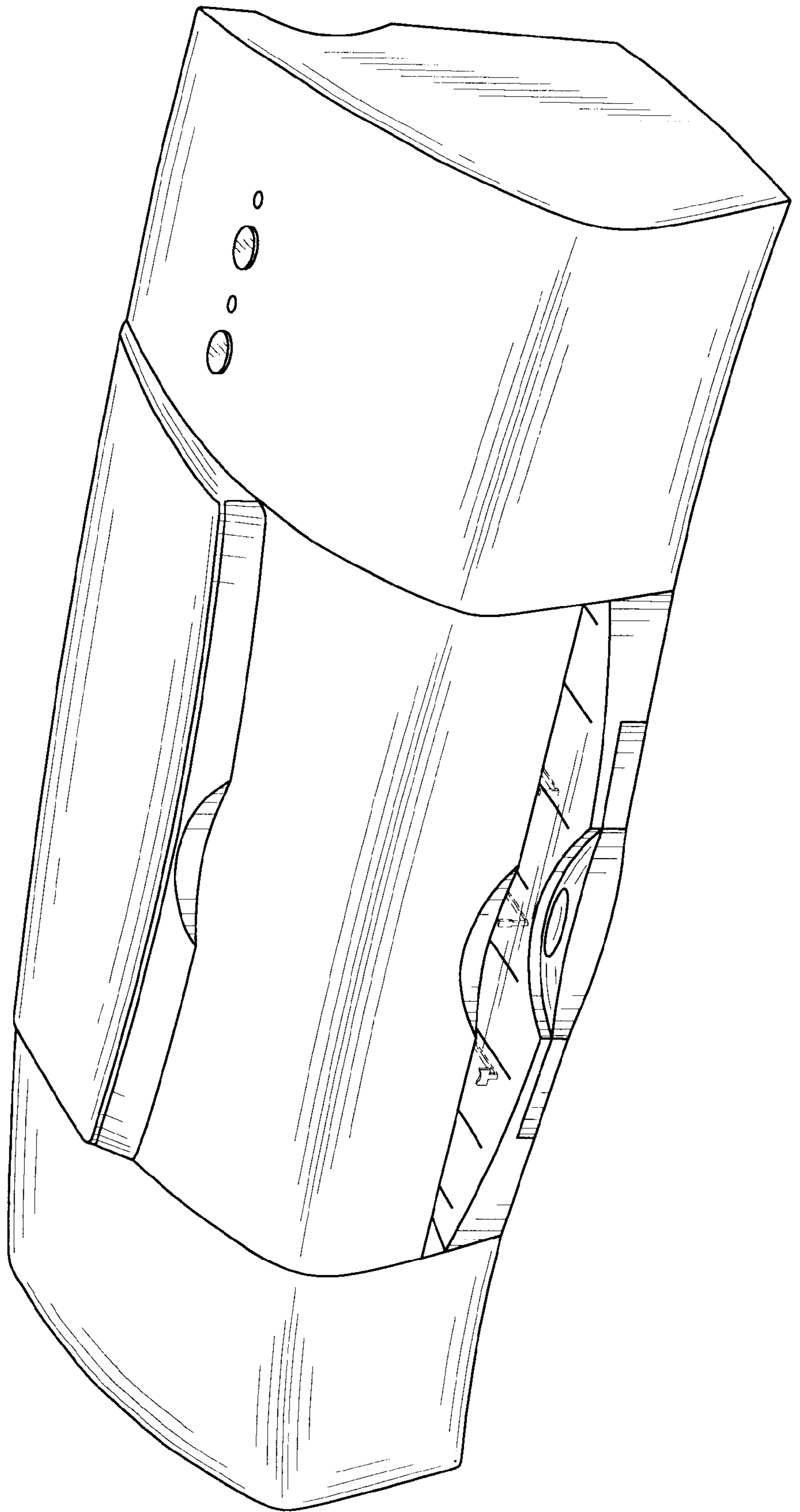


FIG. 3

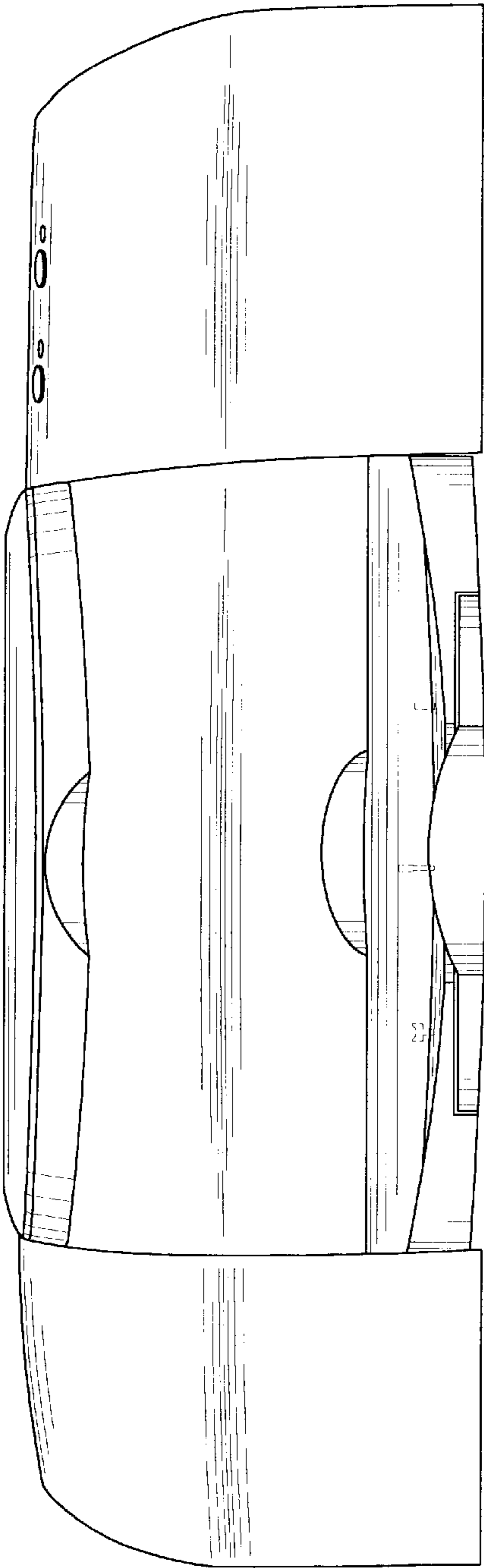


FIG. 4

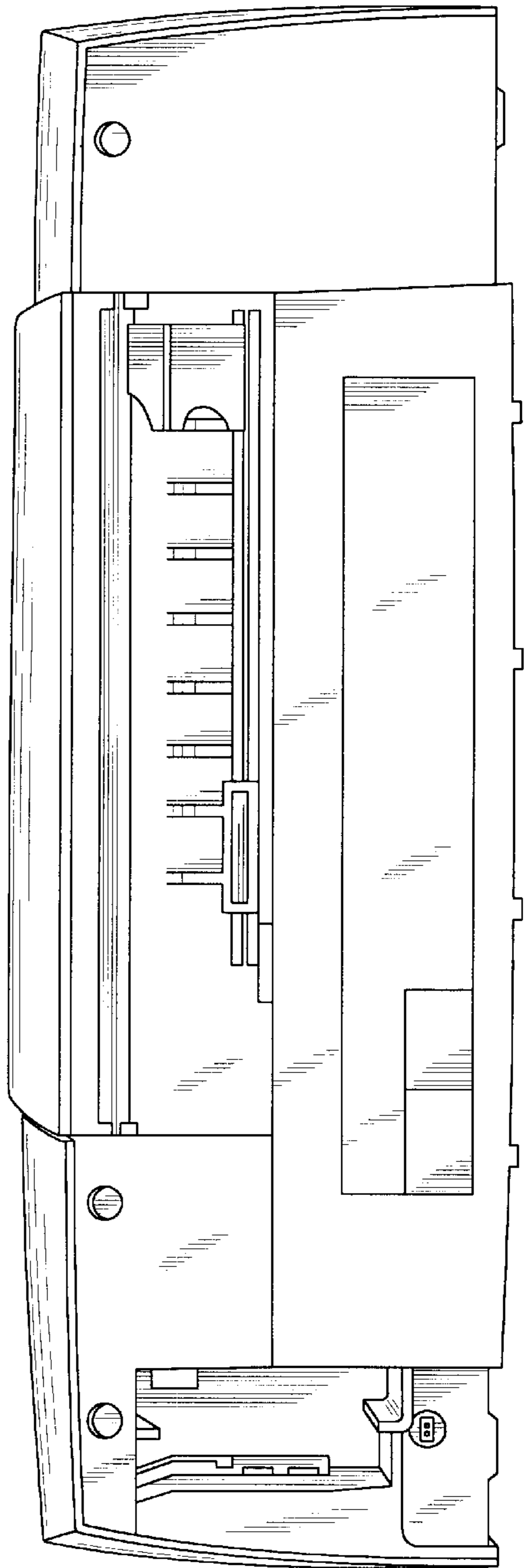


FIG. 5

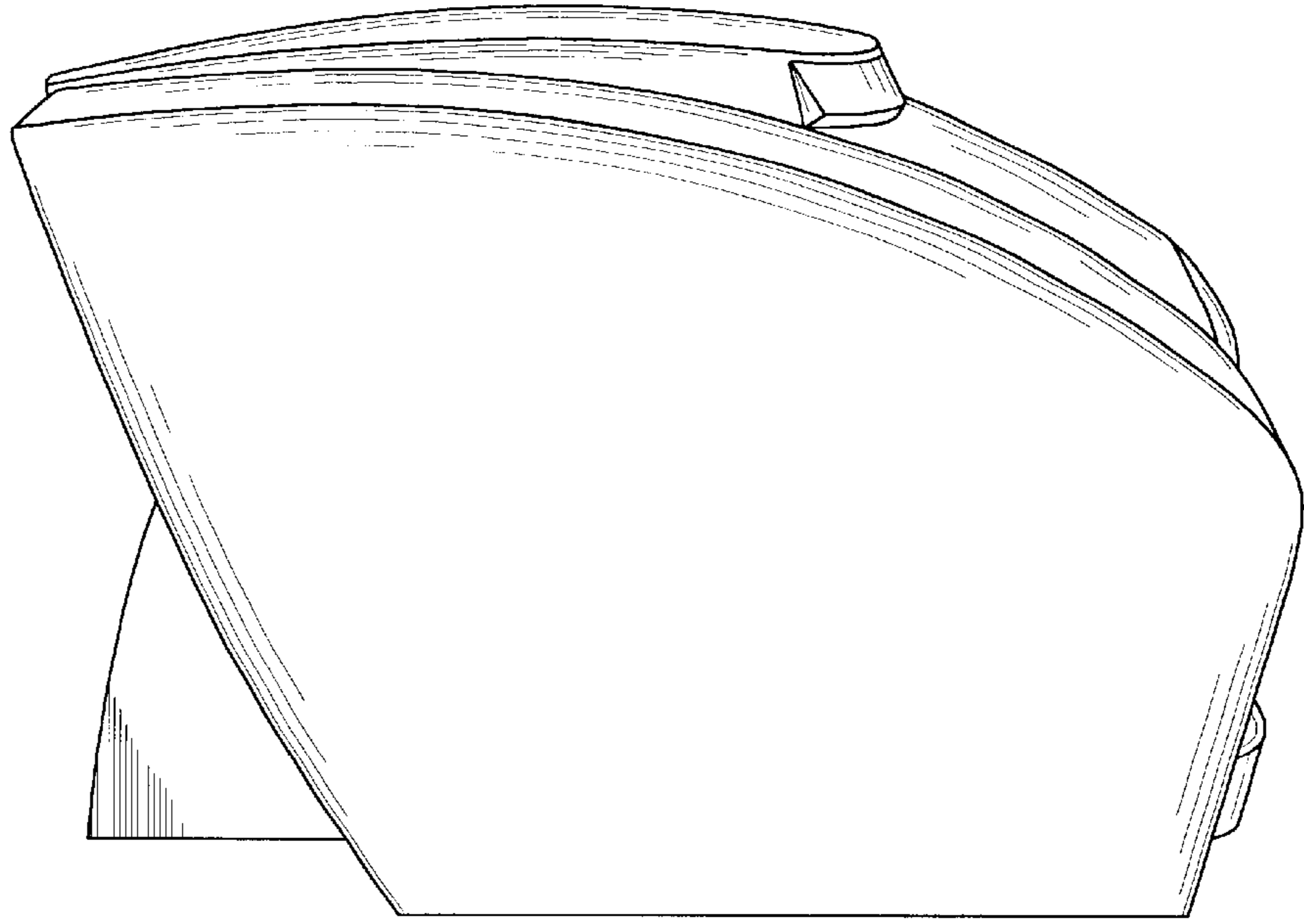


FIG. 6

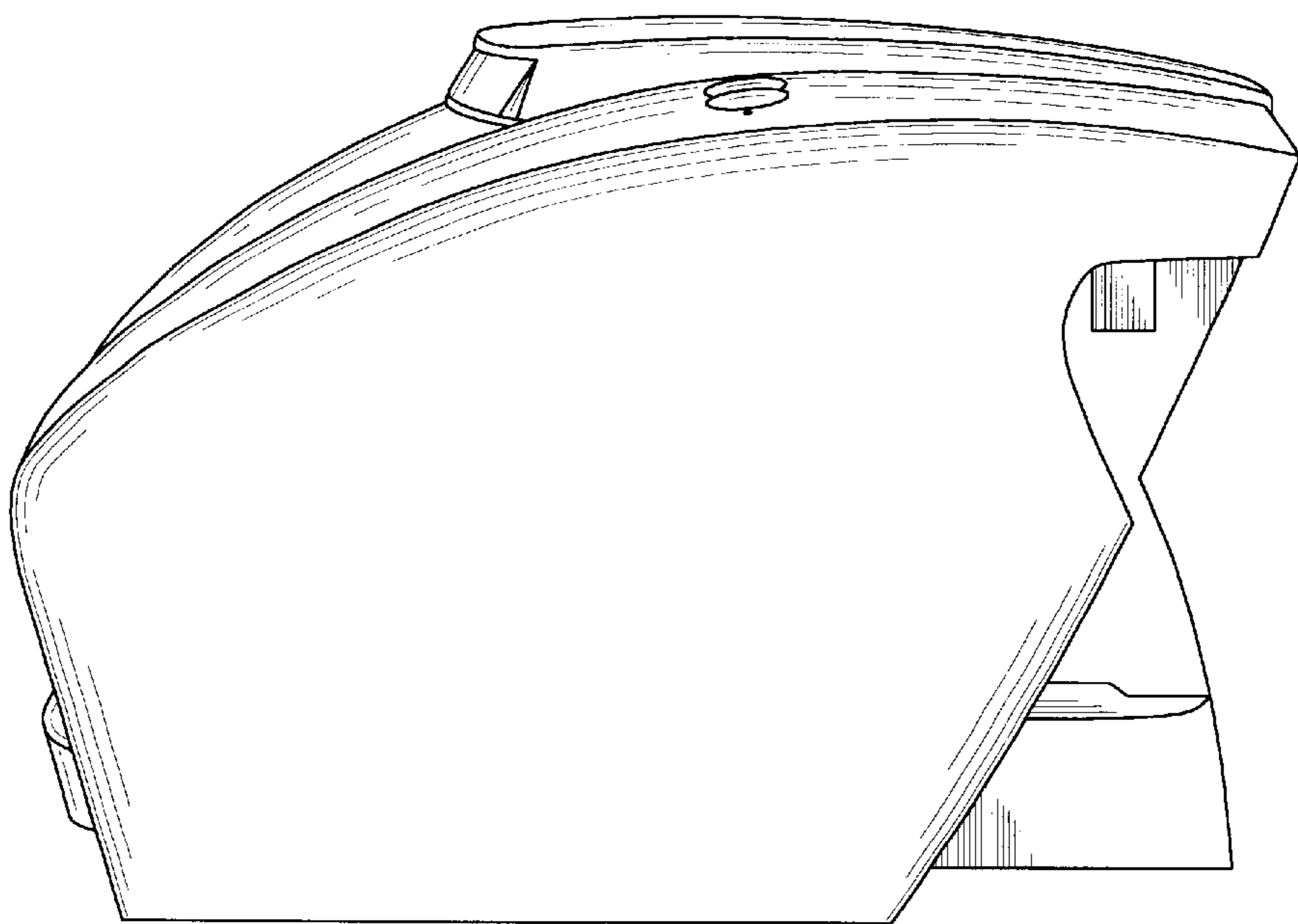


FIG. 7

