



US00D460477S

(12) **United States Design Patent**
Leong et al.

(10) **Patent No.:** **US D460,477 S**

(45) **Date of Patent:** **** Jul. 16, 2002**

(54) **AUTOMATIC DOCUMENT FEEDER**

(75) **Inventors:** **David Woodrow Leong; Ronald J. Kaplan**, both of San Diego; **Scott F. Williams**, Escondido, all of CA (US)

(73) **Assignee:** **Hewlett-Packard Company**, Palo Alto, CA (US)

(**) **Term:** **14 Years**

(21) **Appl. No.:** **29/152,168**

(22) **Filed:** **Oct. 22, 2001**

(51) **LOC (7) Cl.** **18-99**

(52) **U.S. Cl.** **D18/49**

(58) **Field of Search** D18/36-40, 46-49, D18/56; 399/16, 17, 361, 363, 364, 365, 367-374

(56) **References Cited**

U.S. PATENT DOCUMENTS

D324,536 S * 3/1992 Isomoto et al. D18/49

D328,758 S * 8/1992 Isomoto D18/49
D344,095 S * 2/1994 Isomoto et al. D18/49
D350,769 S * 9/1994 Hattori et al. D18/49
D354,078 S * 1/1995 Hiroki D18/49
D404,065 S * 1/1999 Nakamura D18/49
D404,421 S * 1/1999 Takeuchi D18/49

* cited by examiner

Primary Examiner—Caron D. Veynar

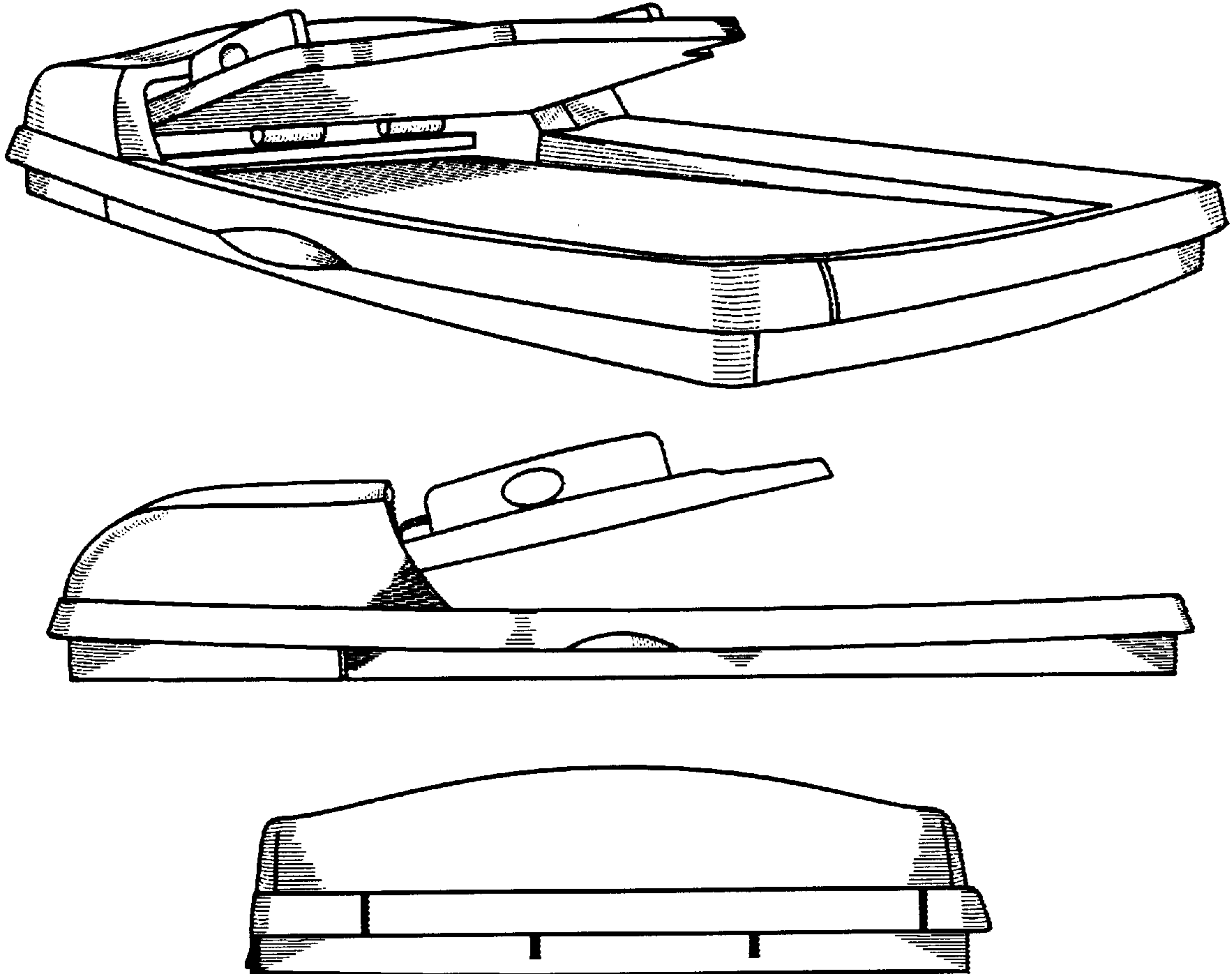
(57) **CLAIM**

The ornamental design for a automatic document feeder, as shown and described.

DESCRIPTION

FIG. 1 is a perspective view of our new design; FIG. 2 is a left side elevation view thereof; FIG. 3 is a right side elevation view thereof; FIG. 4 is a front elevation view thereof; FIG. 5 is a rear elevation view thereof; FIG. 6 is a top plan view thereof; and, FIG. 7 is a bottom plan view thereof.

1 Claim, 2 Drawing Sheets



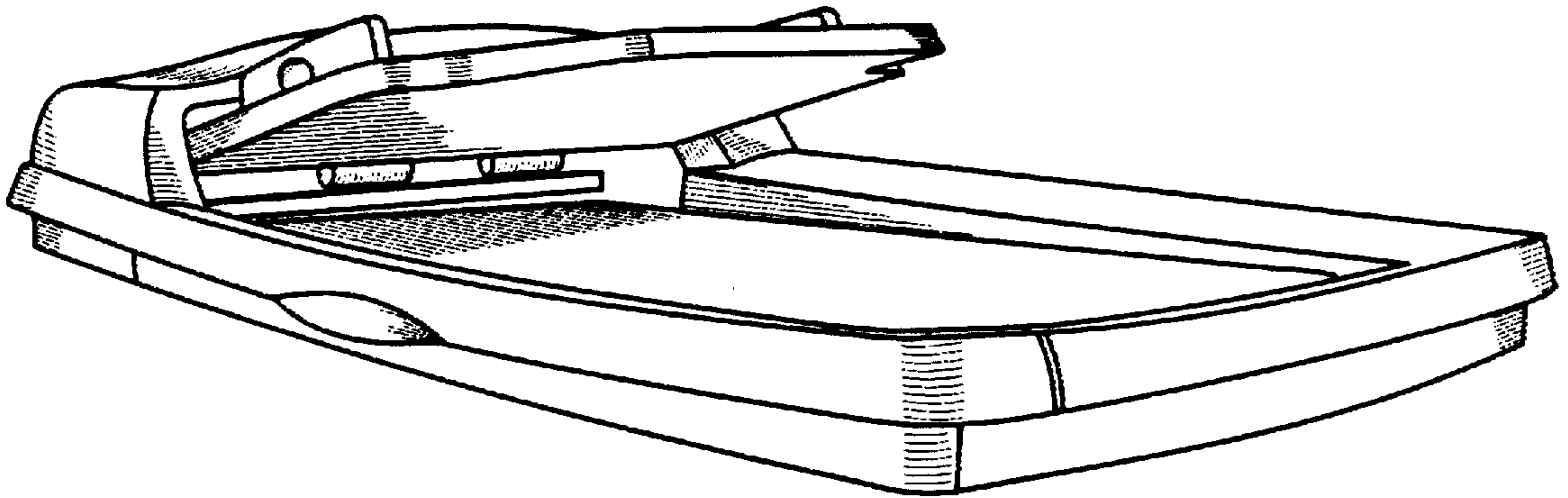


FIG. 1

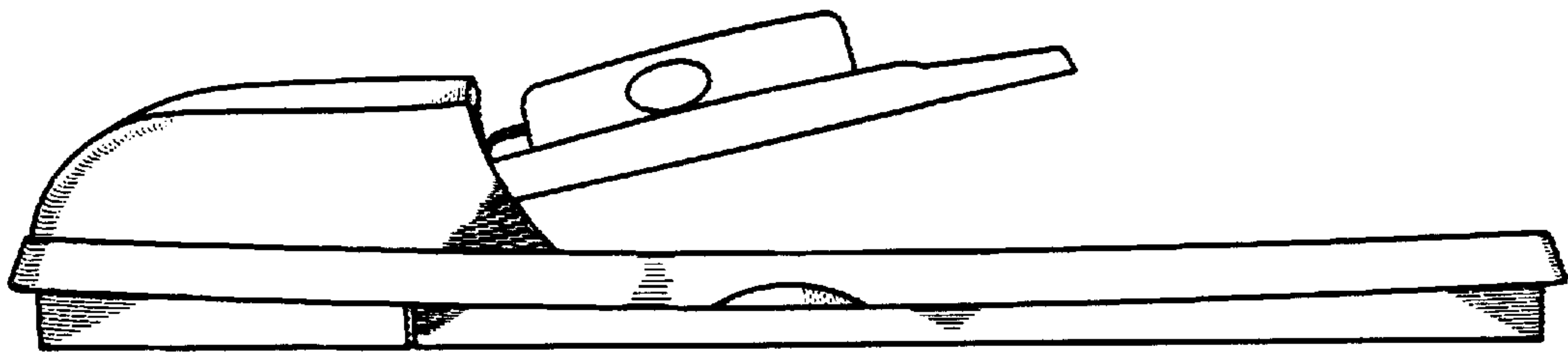


FIG. 2

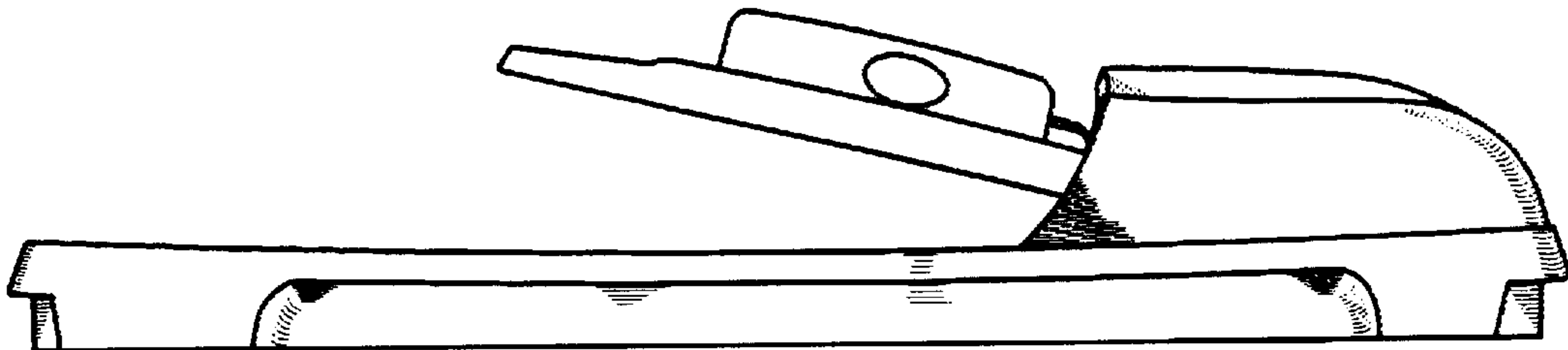


FIG. 3

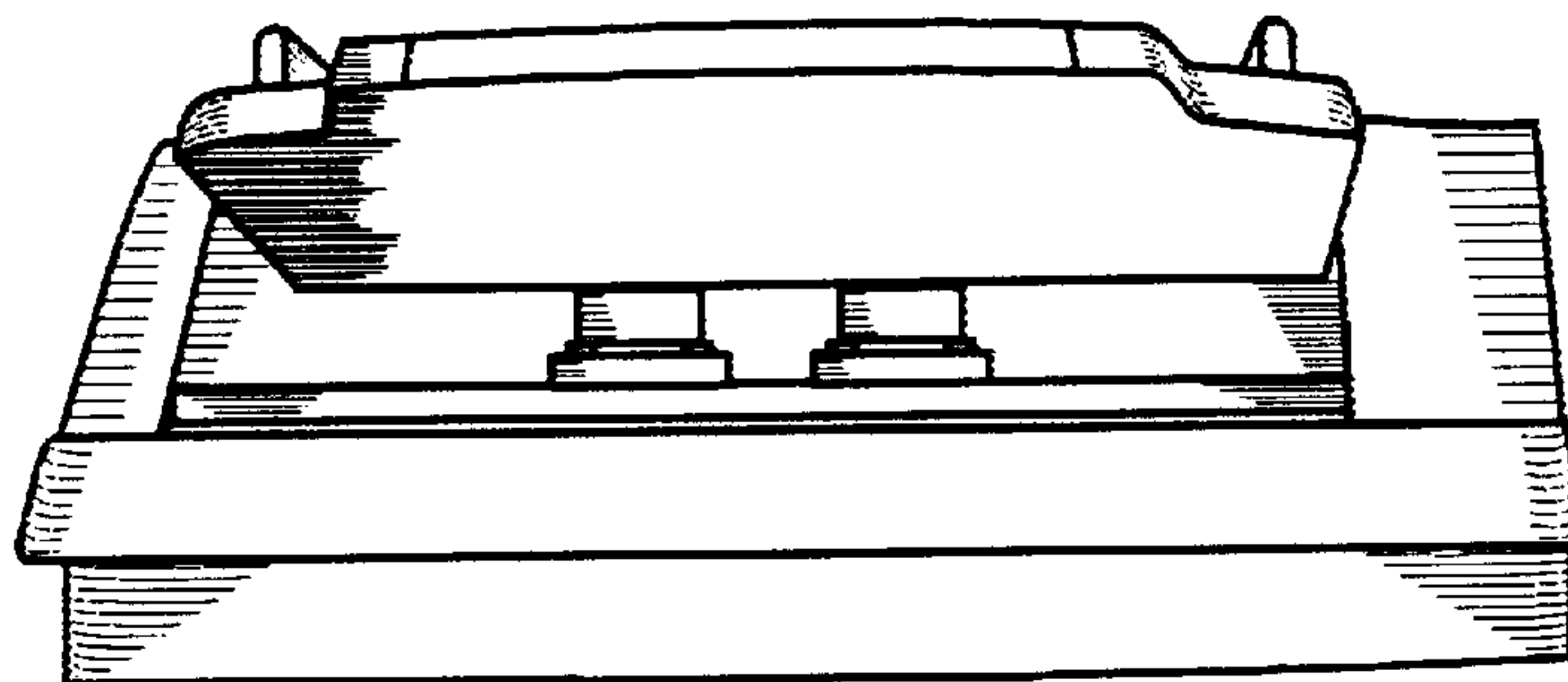


FIG. 4

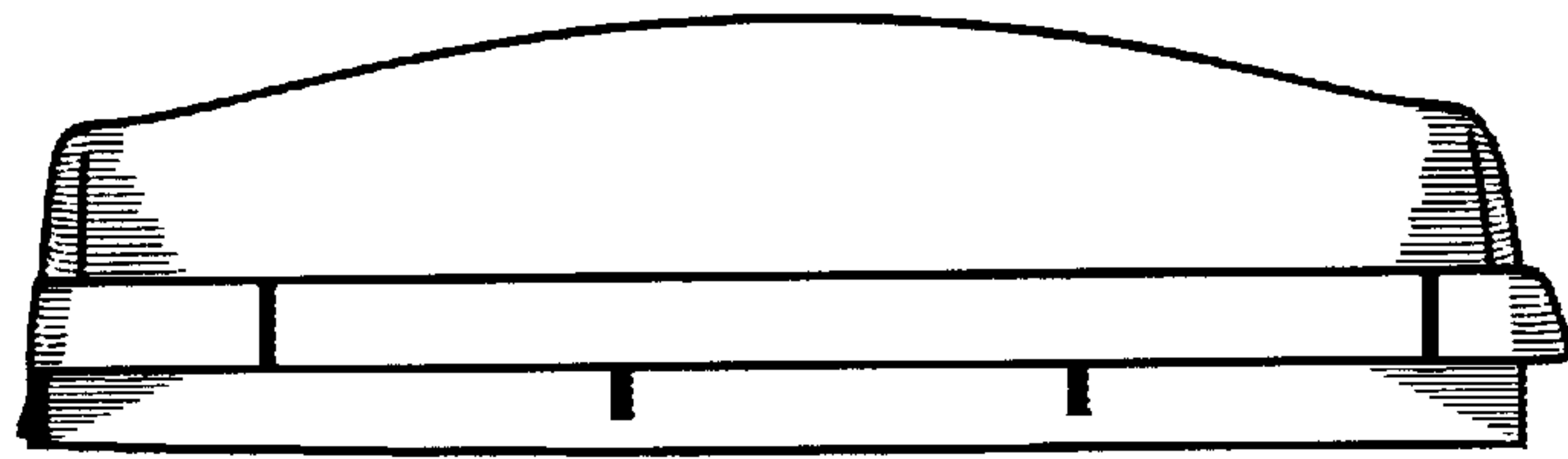


FIG. 5

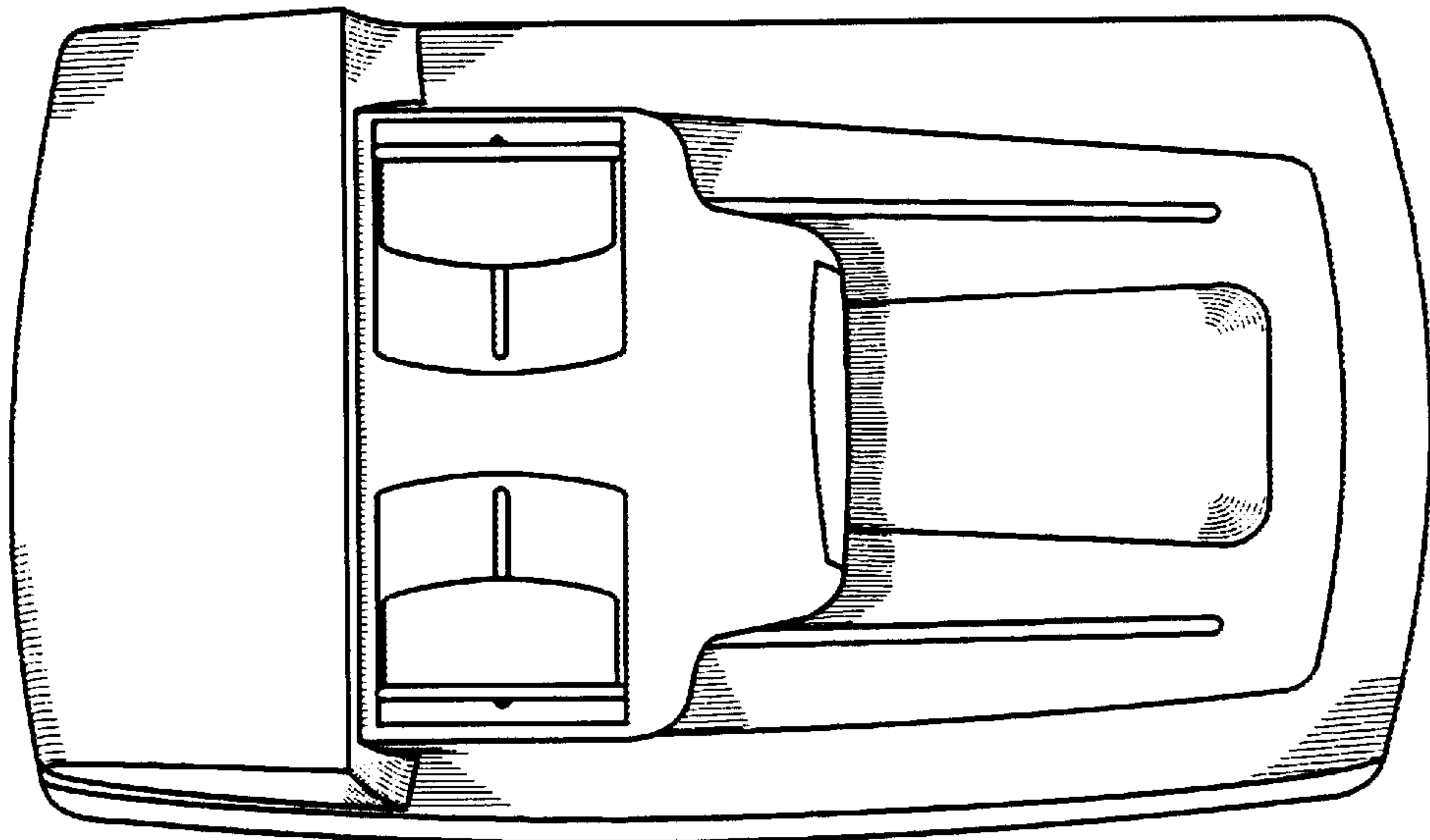


FIG. 6

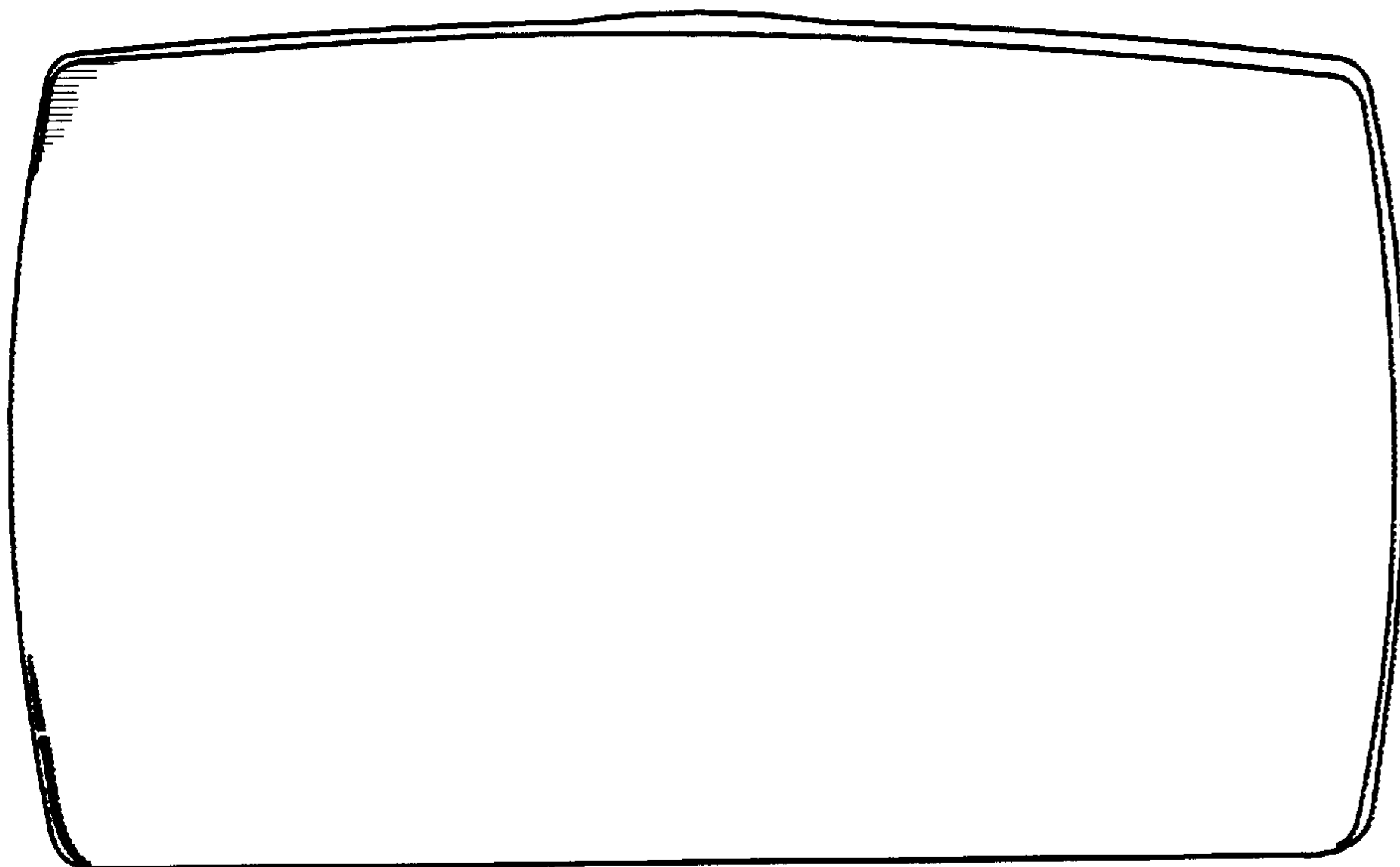


FIG. 7