



US00D460476S

(12) **United States Design Patent**  
**Mori et al.**

(10) **Patent No.:** **US D460,476 S**  
(45) **Date of Patent:** **\*\* Jul. 16, 2002**

(54) **JIG FOR BINDING PERFORATED PAPER SHEETS ON A RING BINDER**

(75) Inventors: **Makoto Mori; Miki Horita**, both of Katsushika-ku (JP)

(73) Assignee: **Carl Jimuko Kabushiki Kaisha**, Tokyo (JP)

(\*\*) Term: **14 Years**

(21) Appl. No.: **29/150,167**

(22) Filed: **Nov. 9, 2001**

(30) **Foreign Application Priority Data**

Jul. 9, 2001 (JP) ..... 2001-020101

(51) **LOC (7) Cl.** ..... **18-04**

(52) **U.S. Cl.** ..... **D18/34; D19/65**

(58) **Field of Search** ..... D18/34, 99; D19/65, D19/72, 100; 412/16, 6, 7, 18, 25, 33, 34, 37, 38-43; 281/21.1, 27.1-27.3, 51; 156/479, 483, 484, 908

(56) **References Cited**

**U.S. PATENT DOCUMENTS**

- 3,518,143 A \* 6/1970 Fuhr ..... 412/6
- 3,956,057 A \* 5/1976 Jung ..... 156/578
- D267,018 S \* 11/1982 Balmer ..... D18/34
- 4,902,183 A \* 2/1990 Vercillo et al. .... 412/7
- 4,904,333 A \* 2/1990 Zoltner ..... 156/479

- D352,955 S \* 11/1994 Nordgren ..... D18/34
- D365,580 S \* 12/1995 Stiles et al. .... D15/128
- D416,041 S \* 11/1999 Mori ..... D18/34
- D423,039 S \* 4/2000 Cox ..... D18/34
- D437,344 S \* 2/2001 Reuter ..... D18/34
- D437,345 S \* 2/2001 Reuter ..... D18/34

\* cited by examiner

*Primary Examiner*—Martie K. Holtje

(74) *Attorney, Agent, or Firm*—Oliff & Berridge PLC

(57) **CLAIM**

The ornamental design for a jig for binding perforated paper sheets on a ring binder, as shown and described.

**DESCRIPTION**

FIG. 1 is a bottom, front and right side perspective view of a jig for binding perforated paper sheets on a ring binder showing our new design;

FIG. 2 is a front elevational view thereof;

FIG. 3 is a rear elevational view thereof;

FIG. 4 is a left side elevational view thereof;

FIG. 5 is a right side elevational view thereof; and

FIG. 6 is a top plan view thereof;

FIG. 7 is a bottom view thereof; and,

FIG. 8 is a perspective view thereof showing a state that the article according to the design is used, the broken line showing of the piece of paper and other structure being provided for illustrative purposes only and forming no part of the claimed design.

**1 Claim, 7 Drawing Sheets**

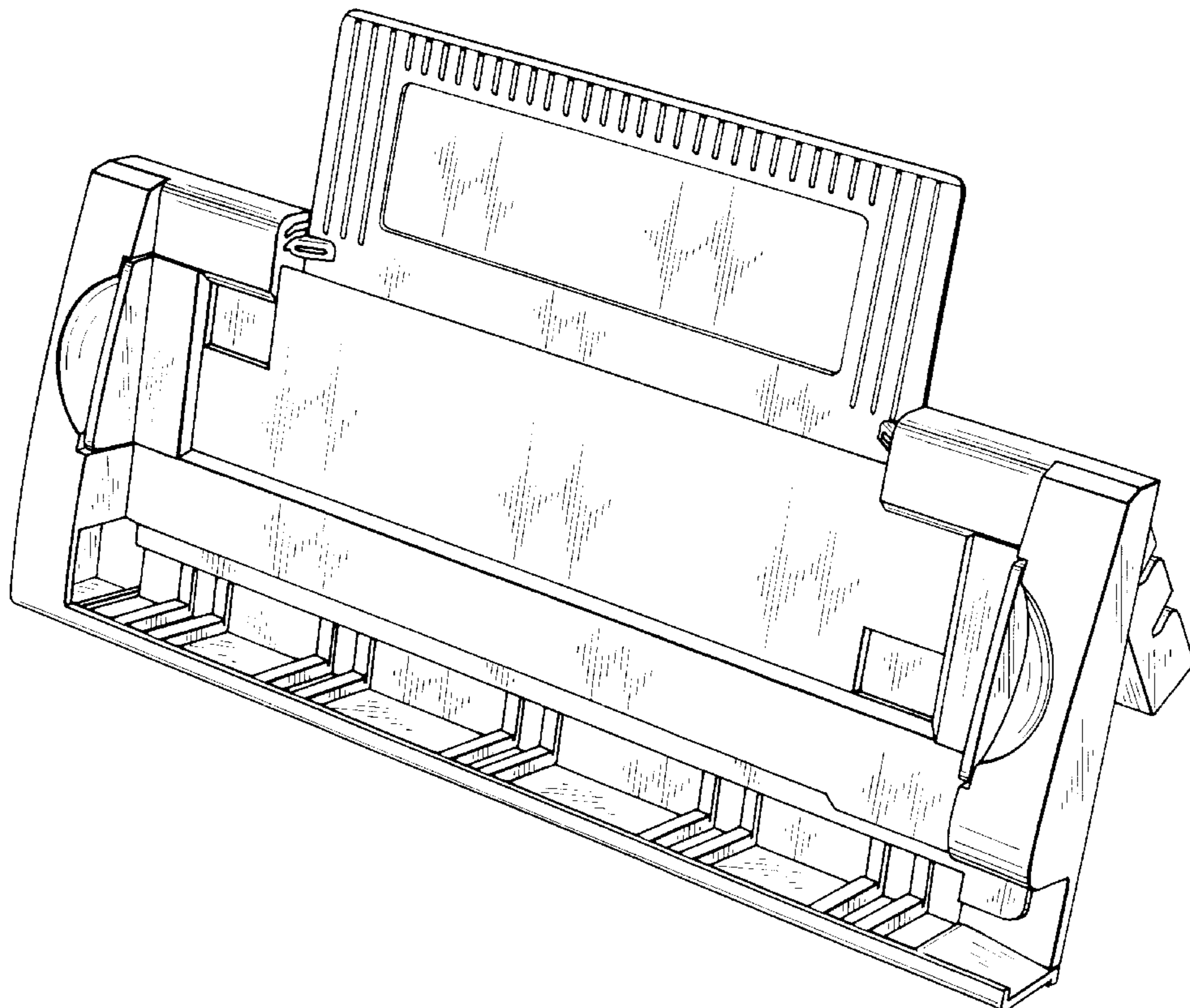


FIG. 1

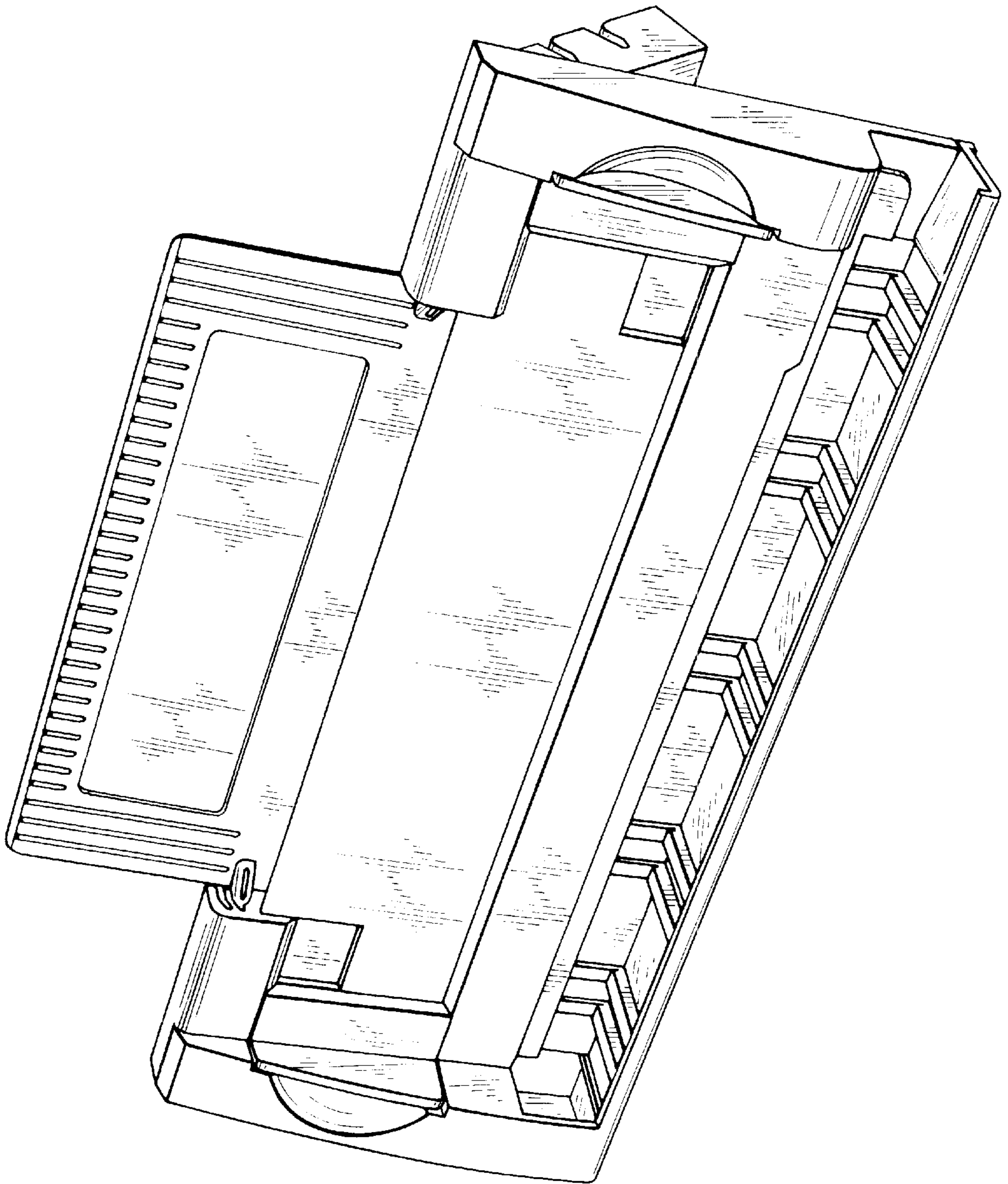


FIG. 2

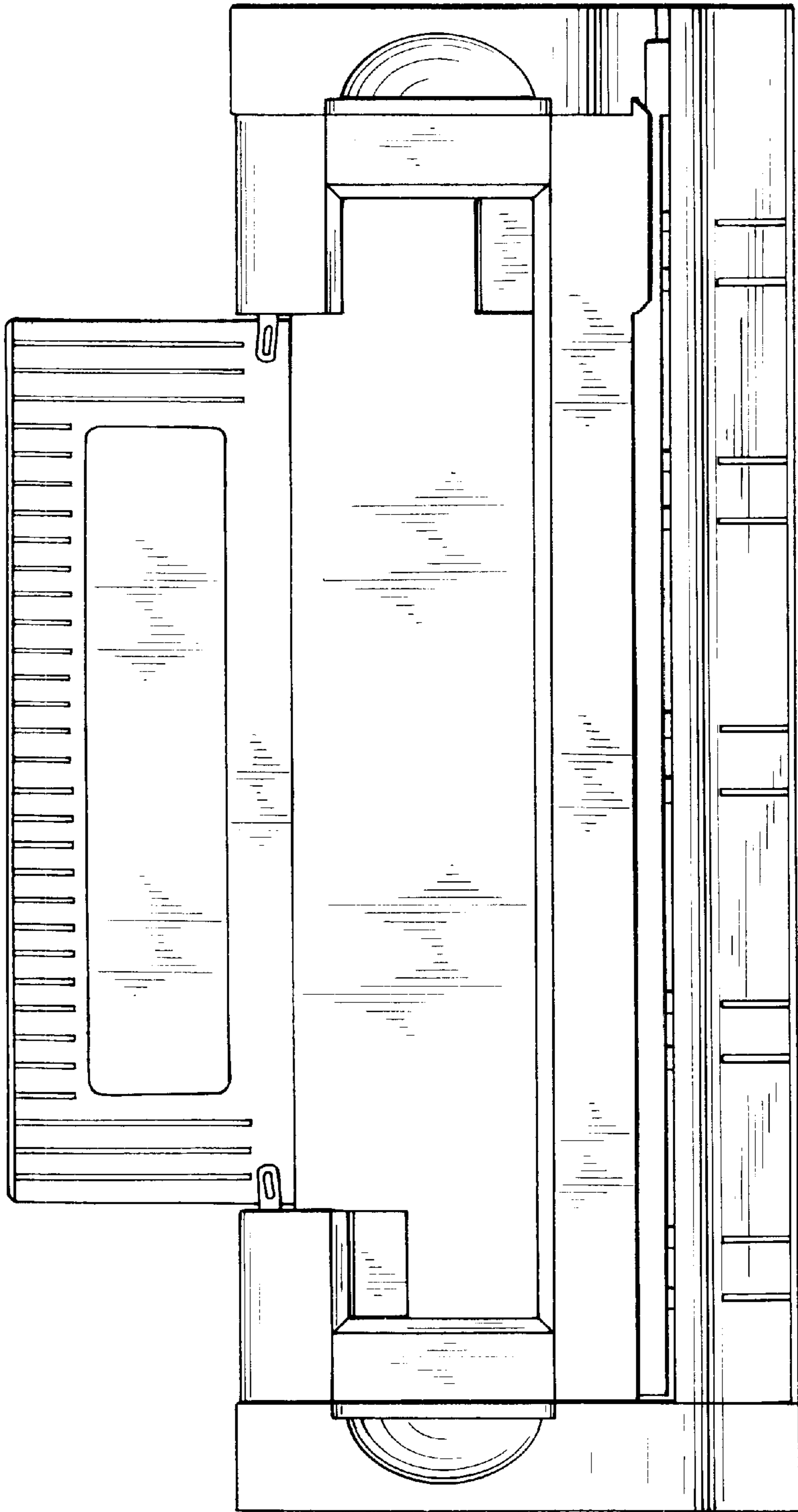


FIG. 3

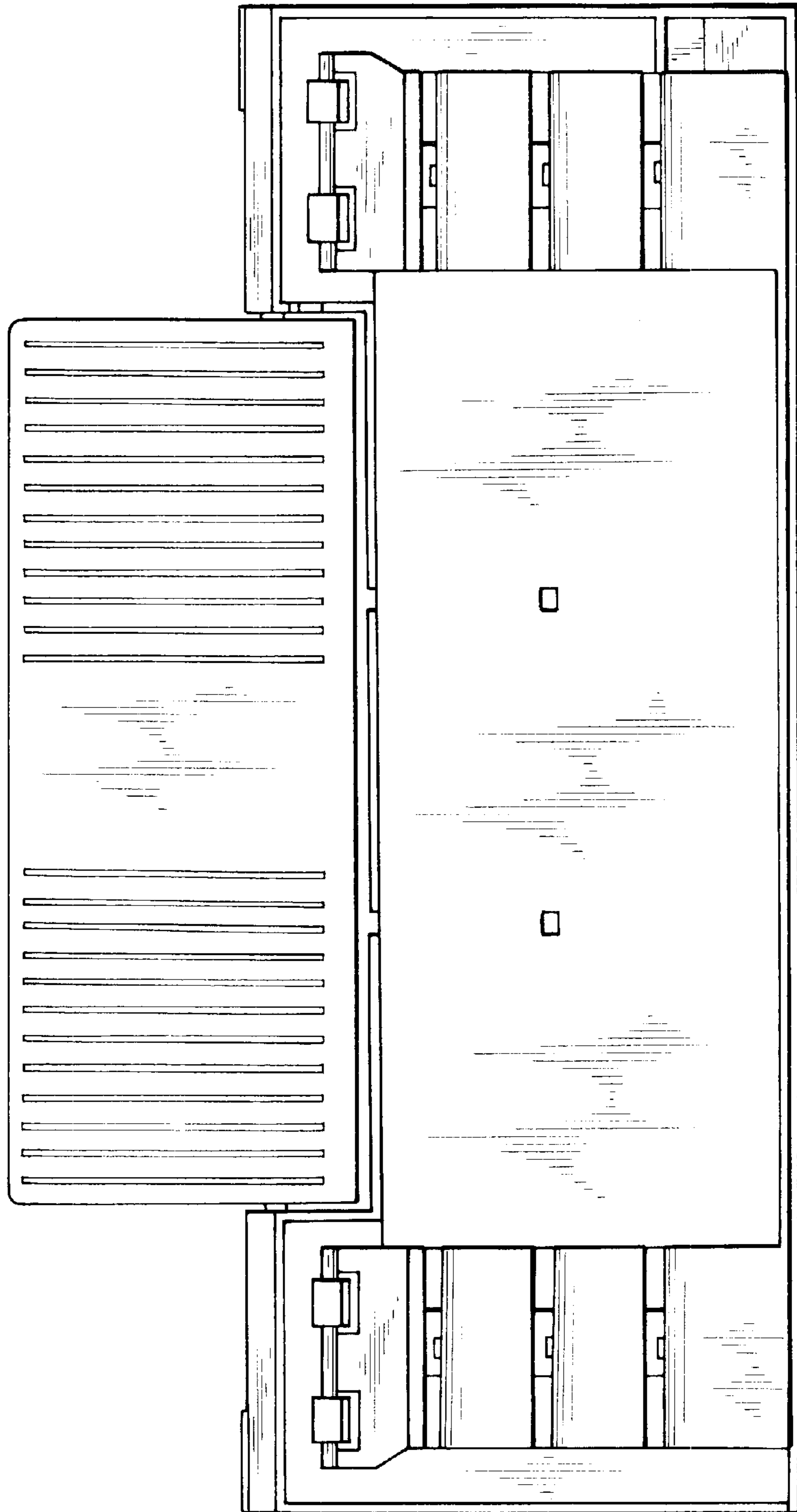




FIG. 5

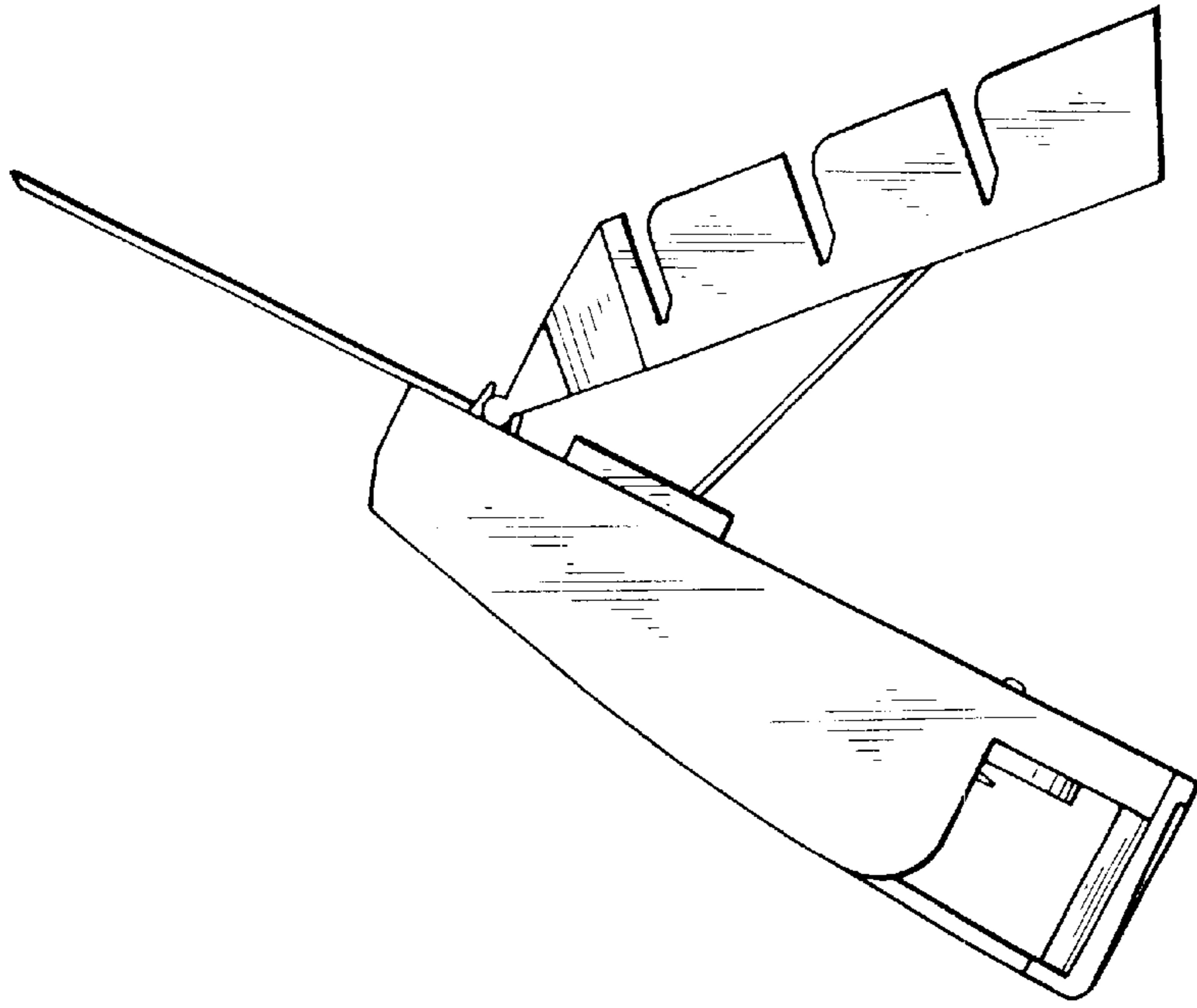


FIG. 4

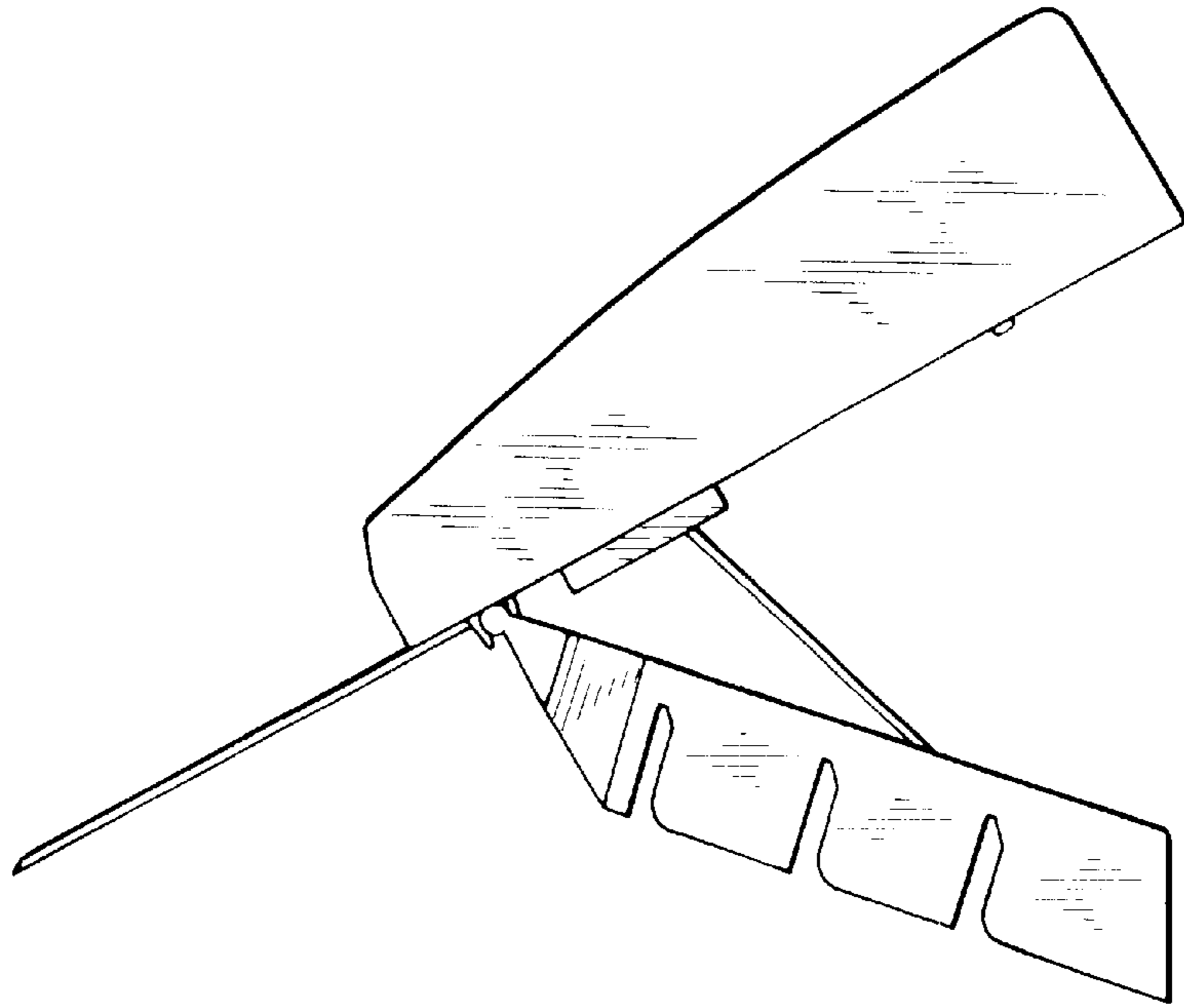


FIG. 6

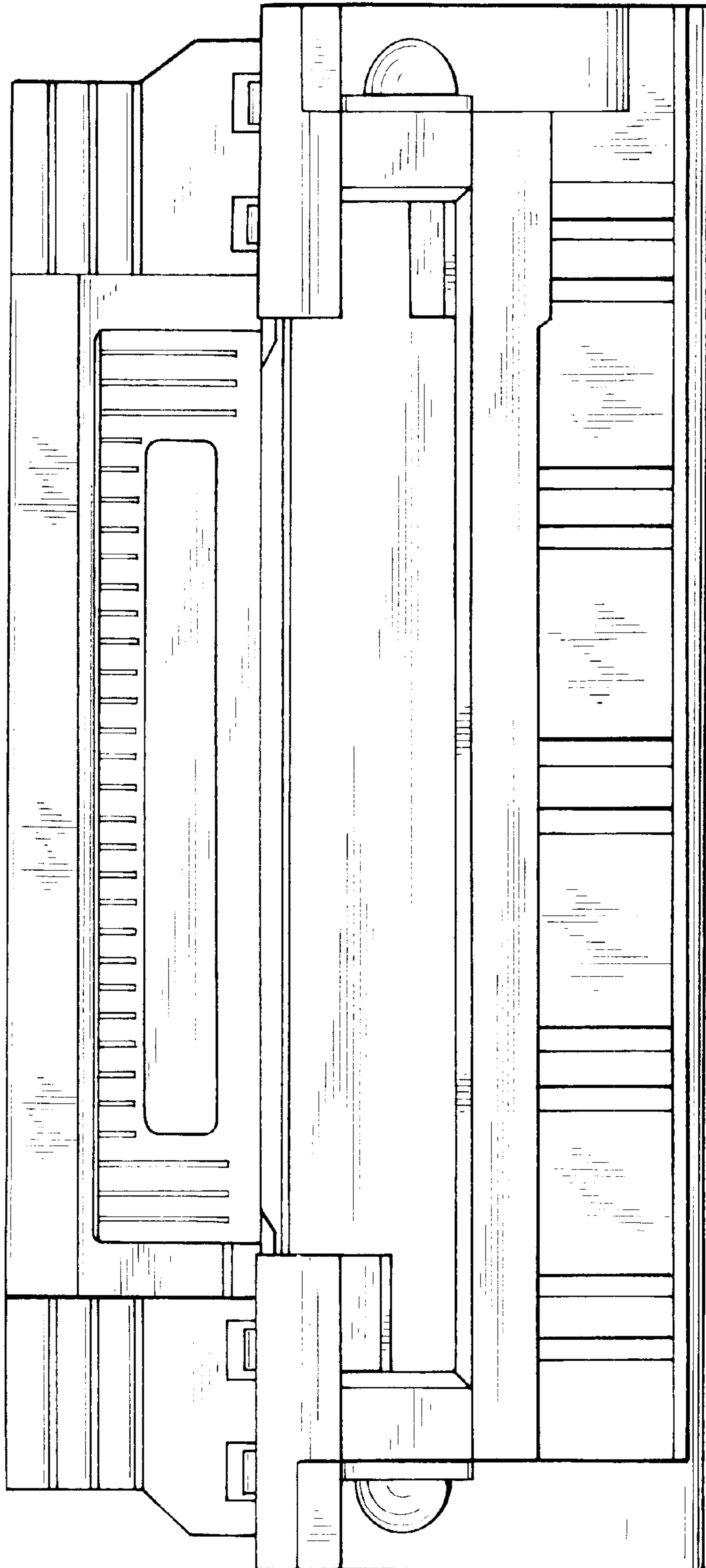


FIG. 7

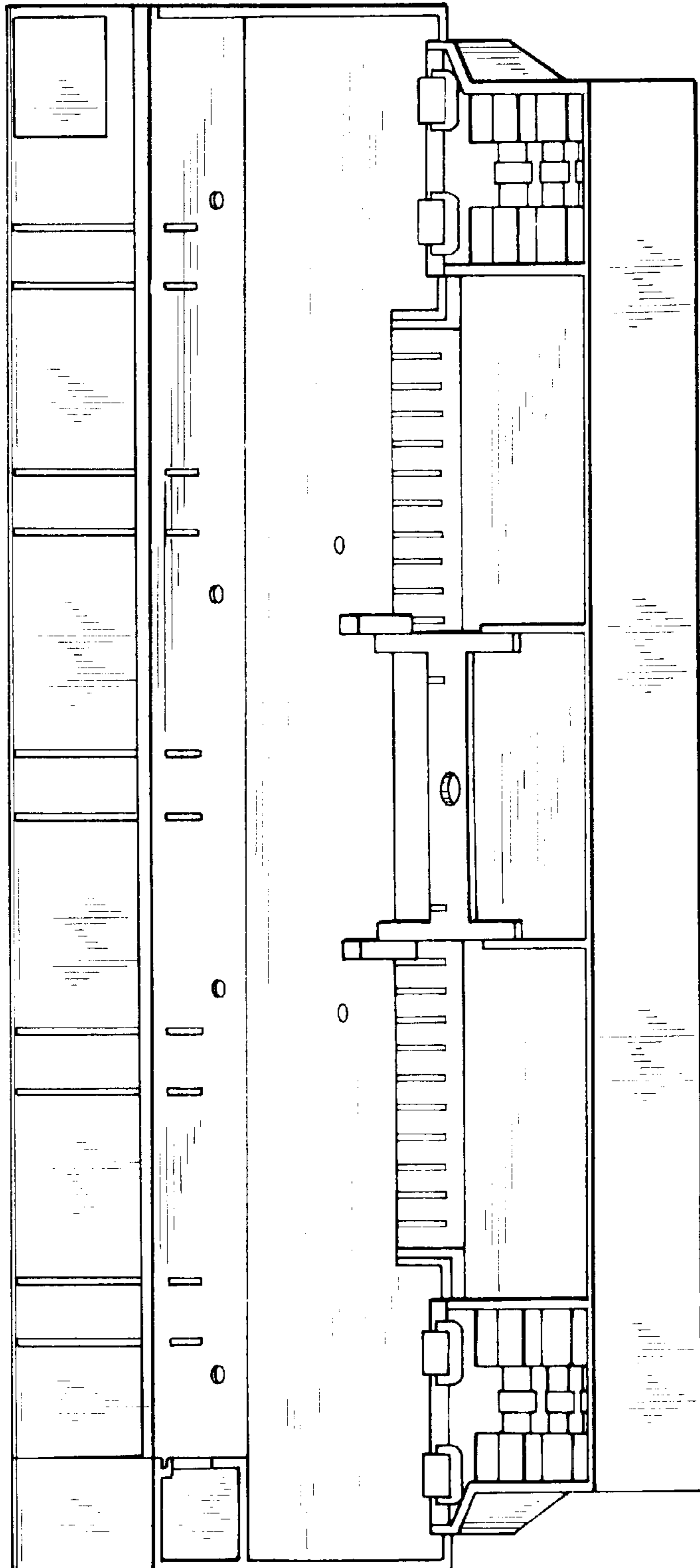


FIG. 8

