



US00D460474S

(12) **United States Design Patent**
Gotham et al.

(10) **Patent No.:** **US D460,474 S**

(45) **Date of Patent:** **** Jul. 16, 2002**

(54) **DIGITAL CAMERA BACK**

(75) Inventors: **David R. Gotham**, Rochester; **Albert Ferland**, Penfield; **Anthony G. Chinnici**; **Michelle M. DeMeyer**, both of Rochester; **Michael Venturino**, Geneseo, all of NY (US)

(73) Assignee: **Eastman Kodak Company**, Rochester, NY (US)

(**) Term: **14 Years**

(21) Appl. No.: **29/148,082**

(22) Filed: **Sep. 14, 2001**

(51) **LOC (7) Cl.** **16-05**

(52) **U.S. Cl.** **D16/219**

(58) **Field of Search** D16/200-205,
D16/208, 218, 219, 237; 348/373-376,
231; 396/535-544

(56) **References Cited**

U.S. PATENT DOCUMENTS

D289,055 S	*	3/1987	Fichter	D16/219
D394,443 S	*	5/1998	Hayashi et al.	D16/208
D406,854 S	*	3/1999	Swayze et al.	D16/202
D426,253 S	*	6/2000	Nakanishi	D16/219
6,115,556 A	*	9/2000	Reddington	396/544

6,239,837 B1 * 5/2001 Yamada et al. 348/231

* cited by examiner

Primary Examiner—Adir Aronovich

(74) *Attorney, Agent, or Firm*—Pamela R. Crocker

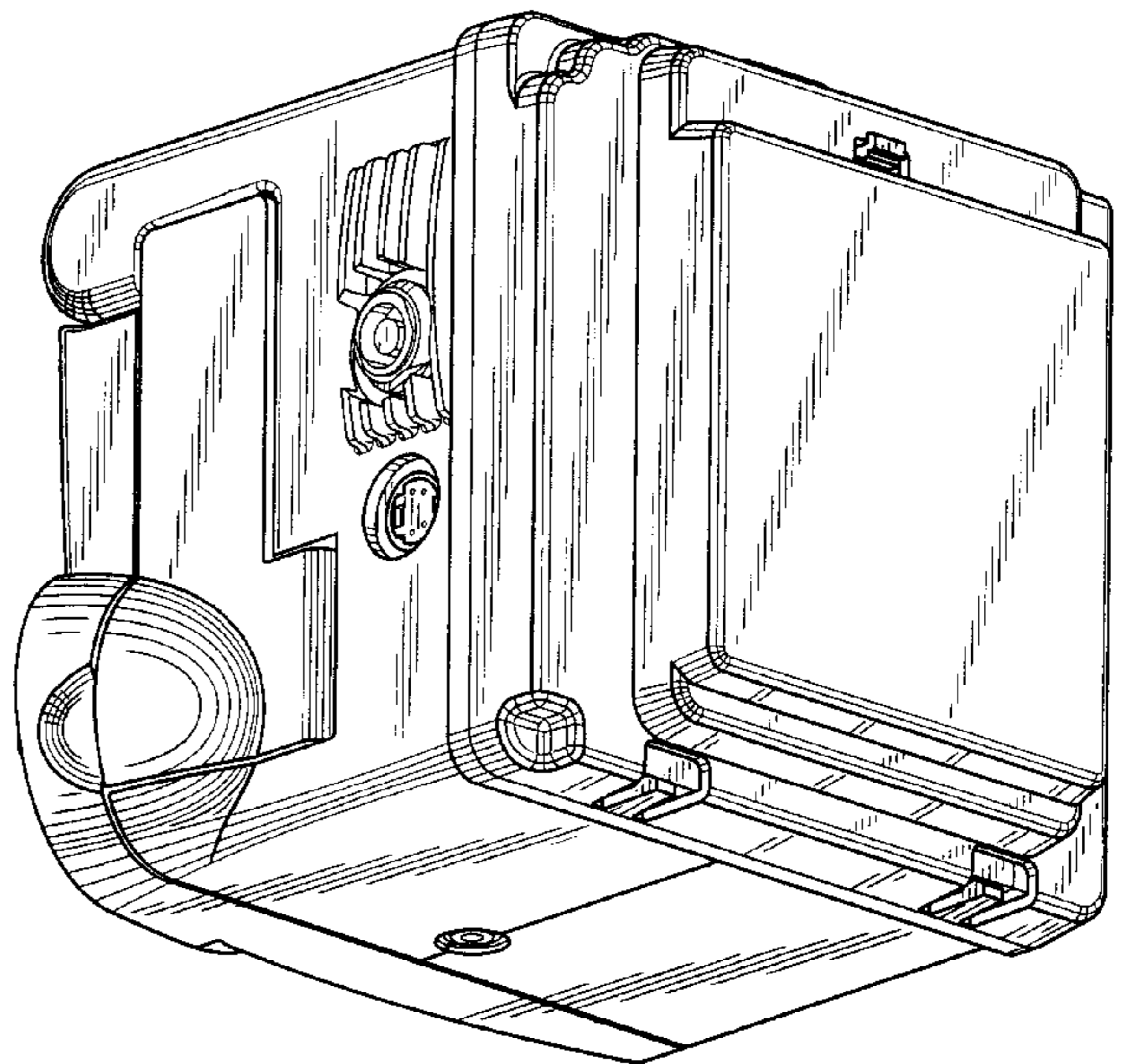
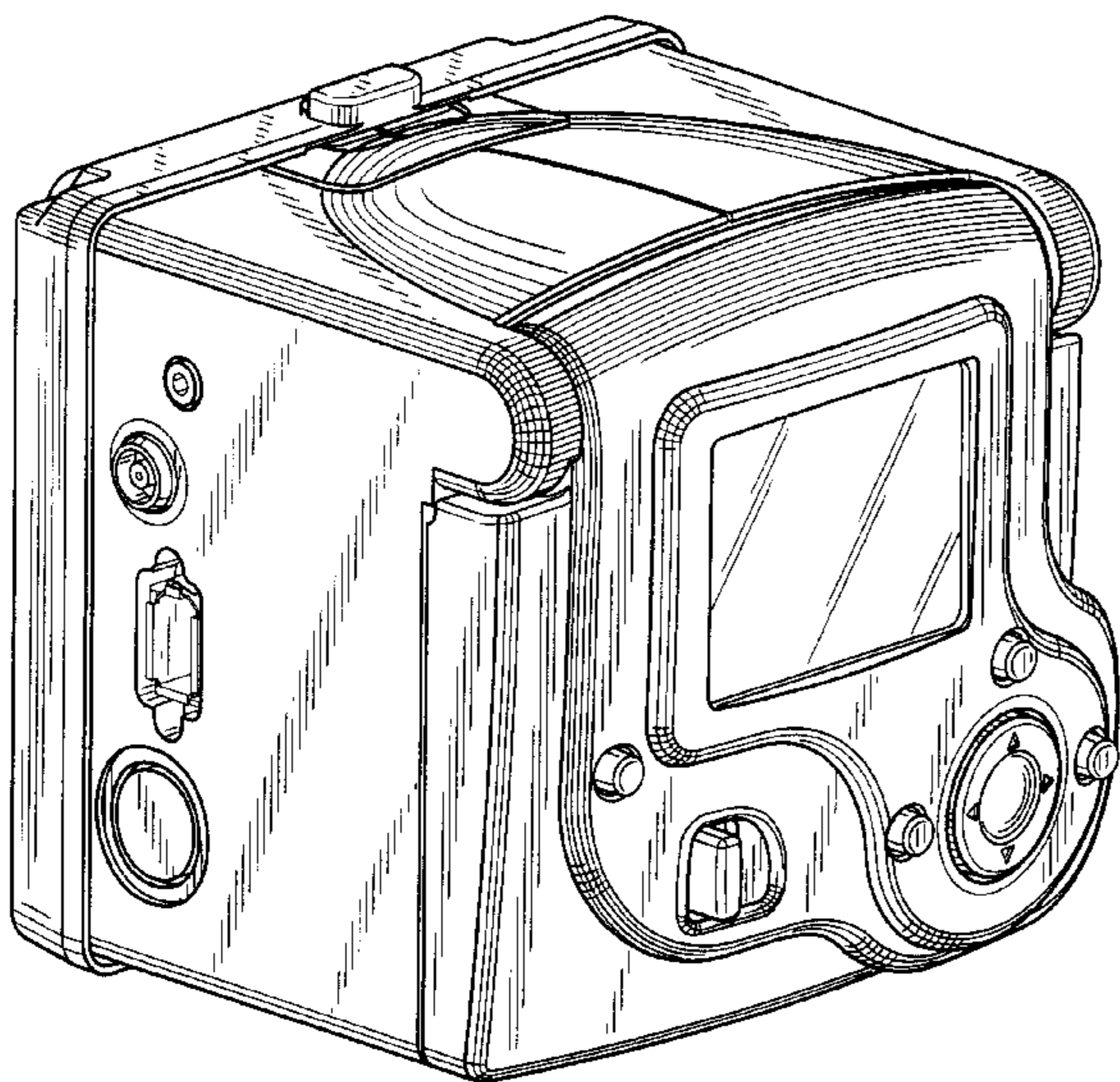
(57) **CLAIM**

The ornamental design for a digital camera back, as shown and described.

DESCRIPTION

FIG. 1 is a front, top, left-side perspective view of a digital camera back showing our new design;
 FIG. 2 is a rear, bottom, right-side perspective view of the digital camera back shown in FIG. 1;
 FIG. 3 is a front view of the digital camera back shown in FIG. 1;
 FIG. 4 is a rear view of the digital camera back shown in FIG. 1;
 FIG. 5 is a right-side view of the digital camera back shown in FIG. 1;
 FIG. 6 is a left-side view of the digital camera back shown in FIG. 1;
 FIG. 7 is a top plan view of the digital camera back shown in FIG. 1; and,
 FIG. 8 is a bottom plan view of the digital camera back shown in FIG. 1.

1 Claim, 8 Drawing Sheets



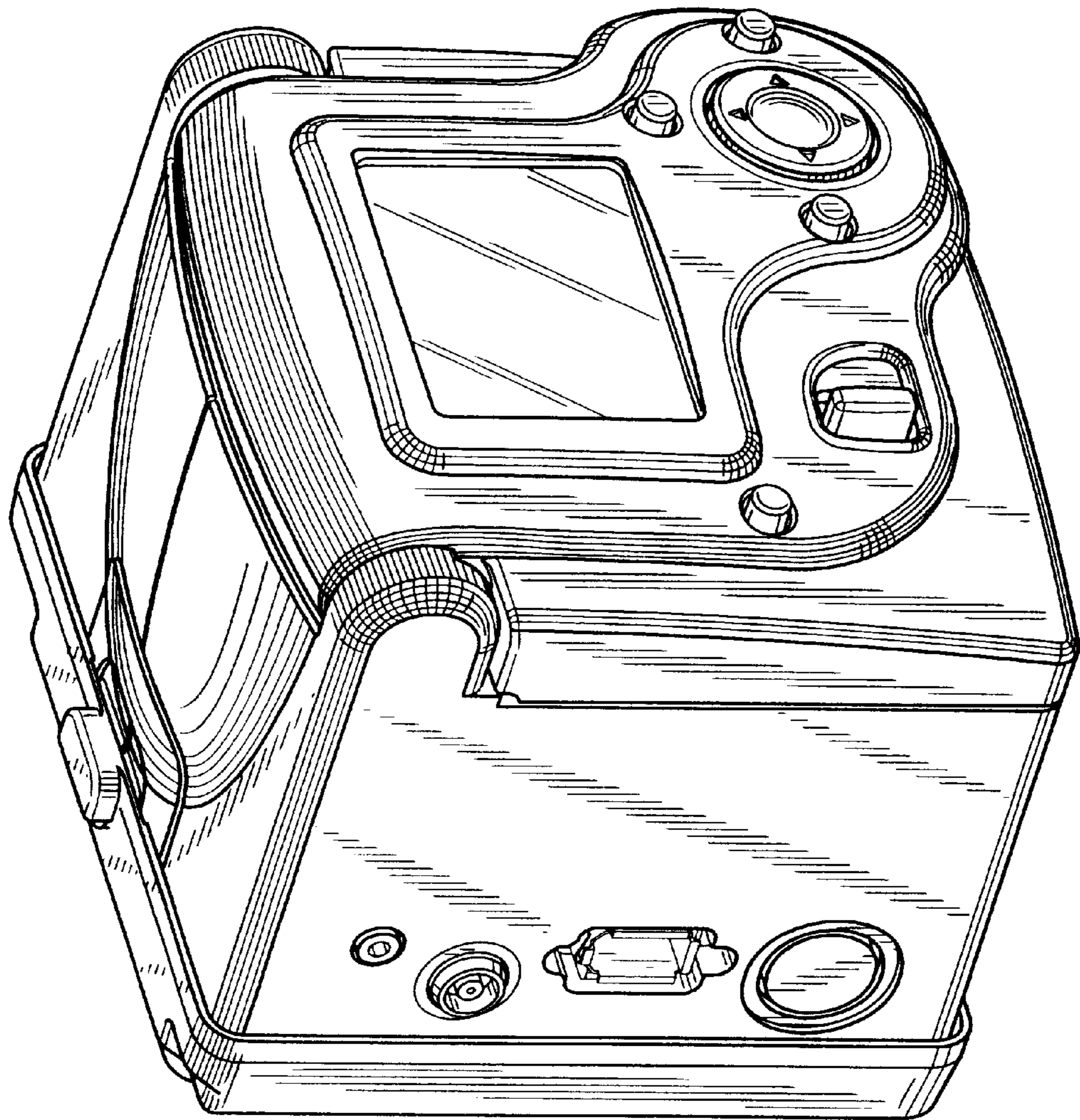


FIG. 1

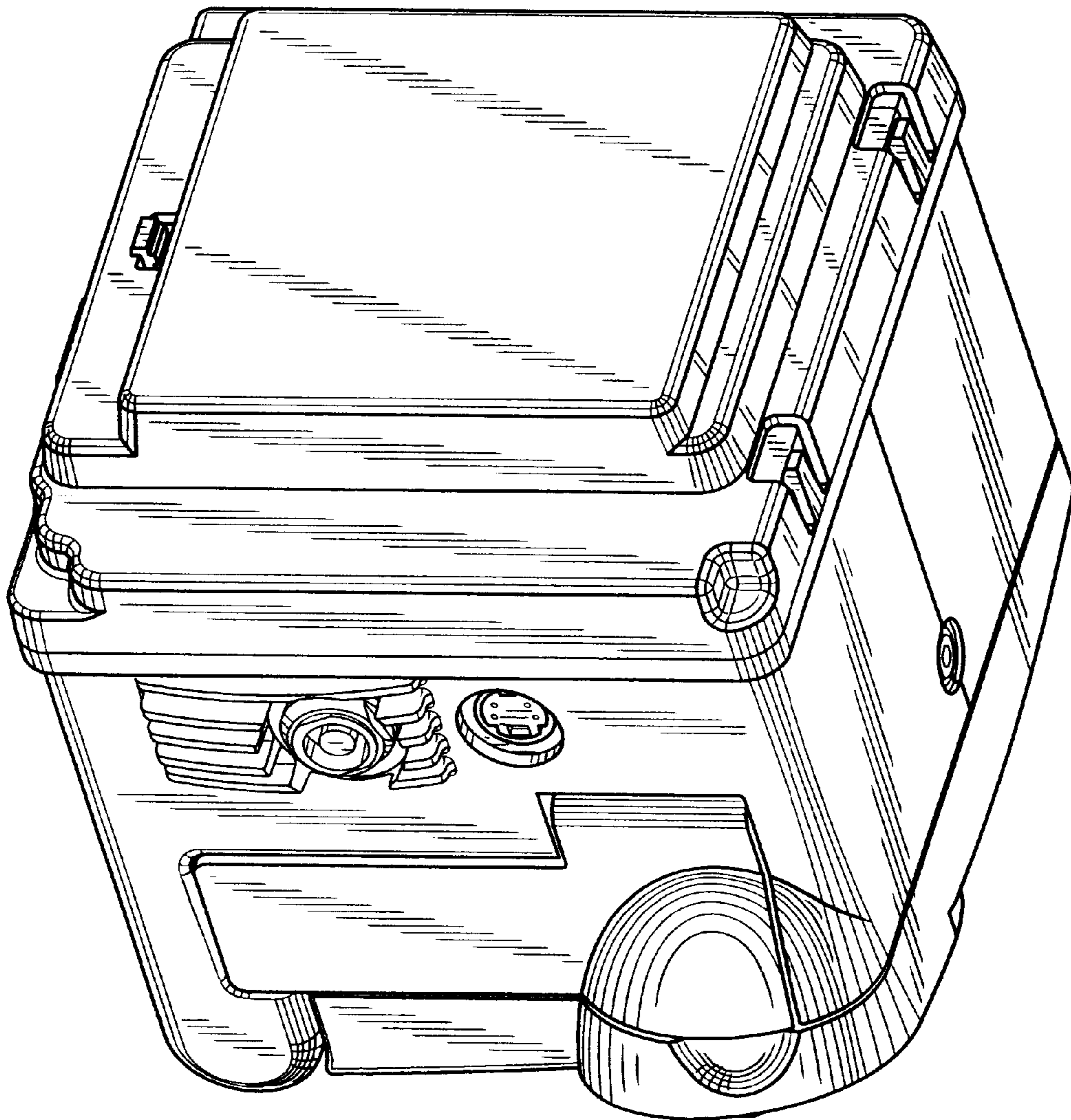


FIG. 2

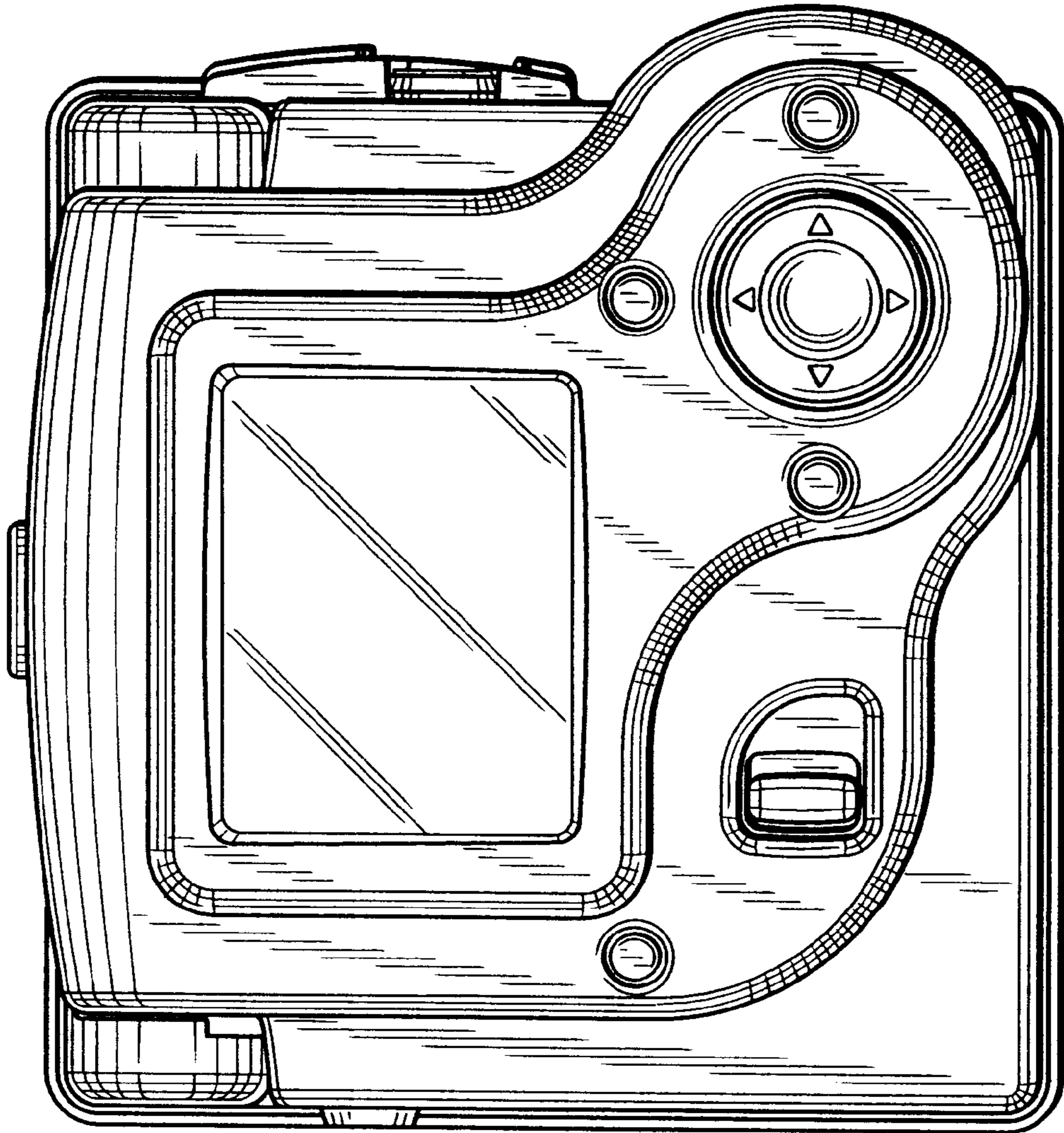


FIG. 3

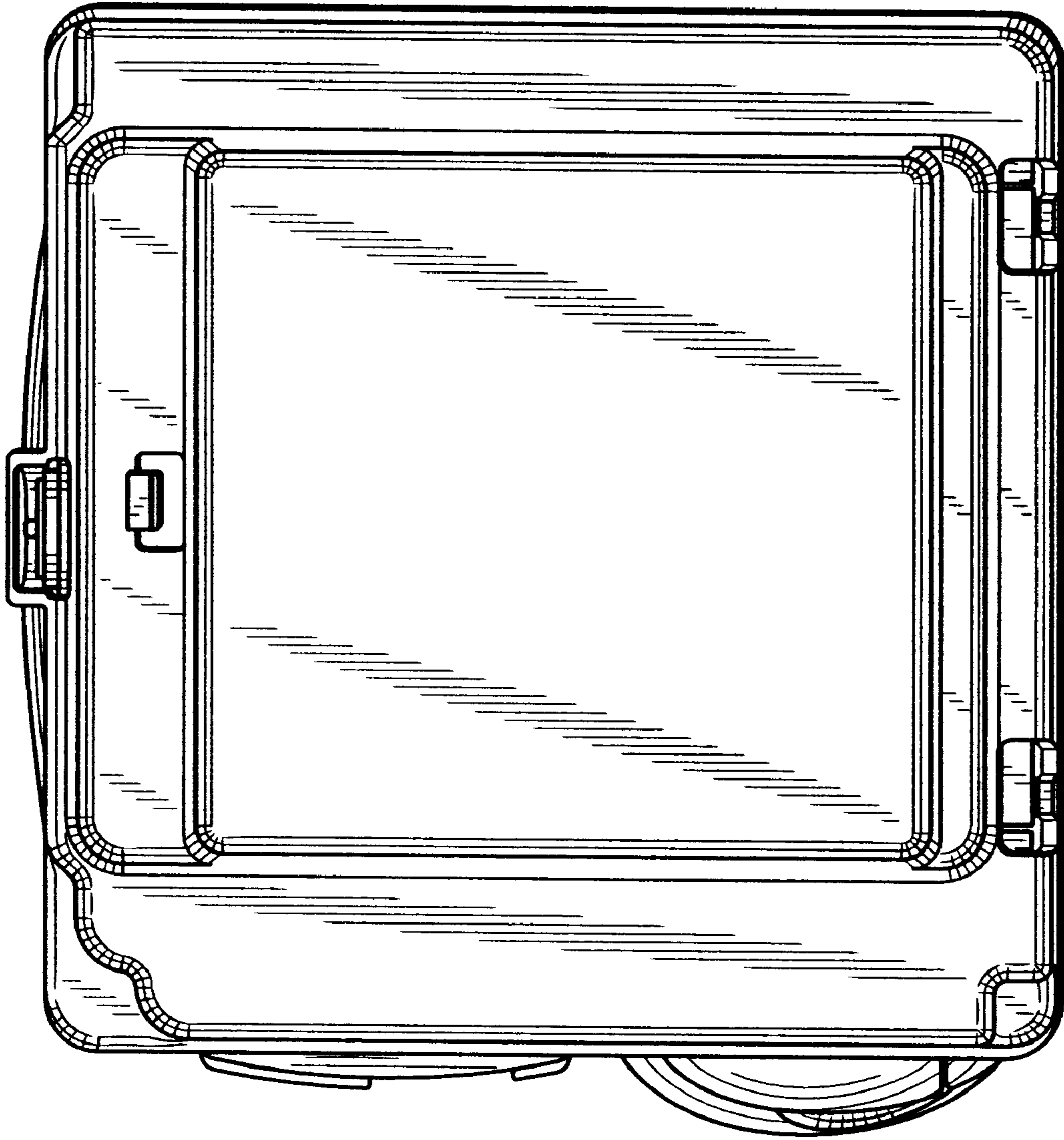


FIG. 4

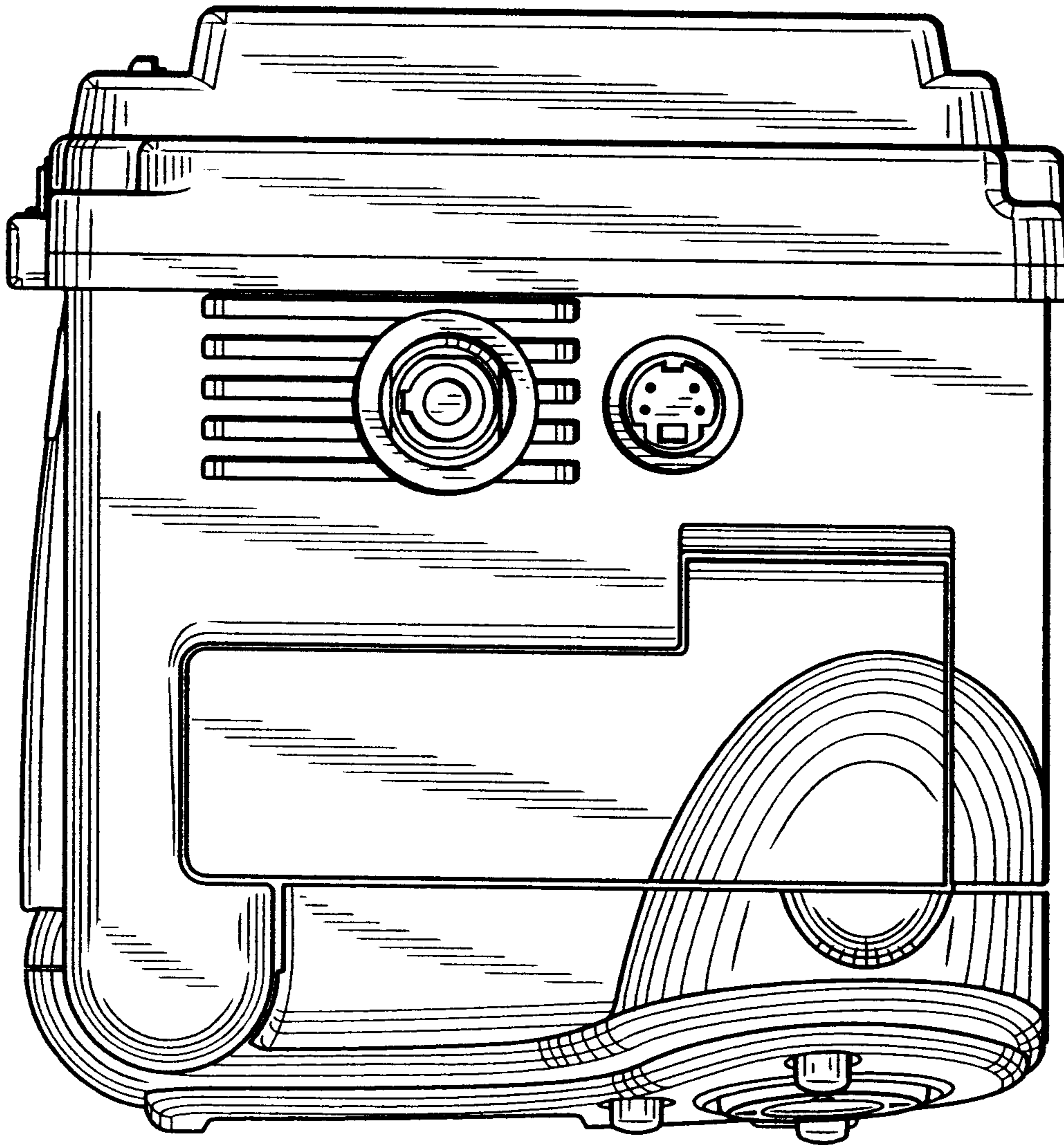


FIG. 5

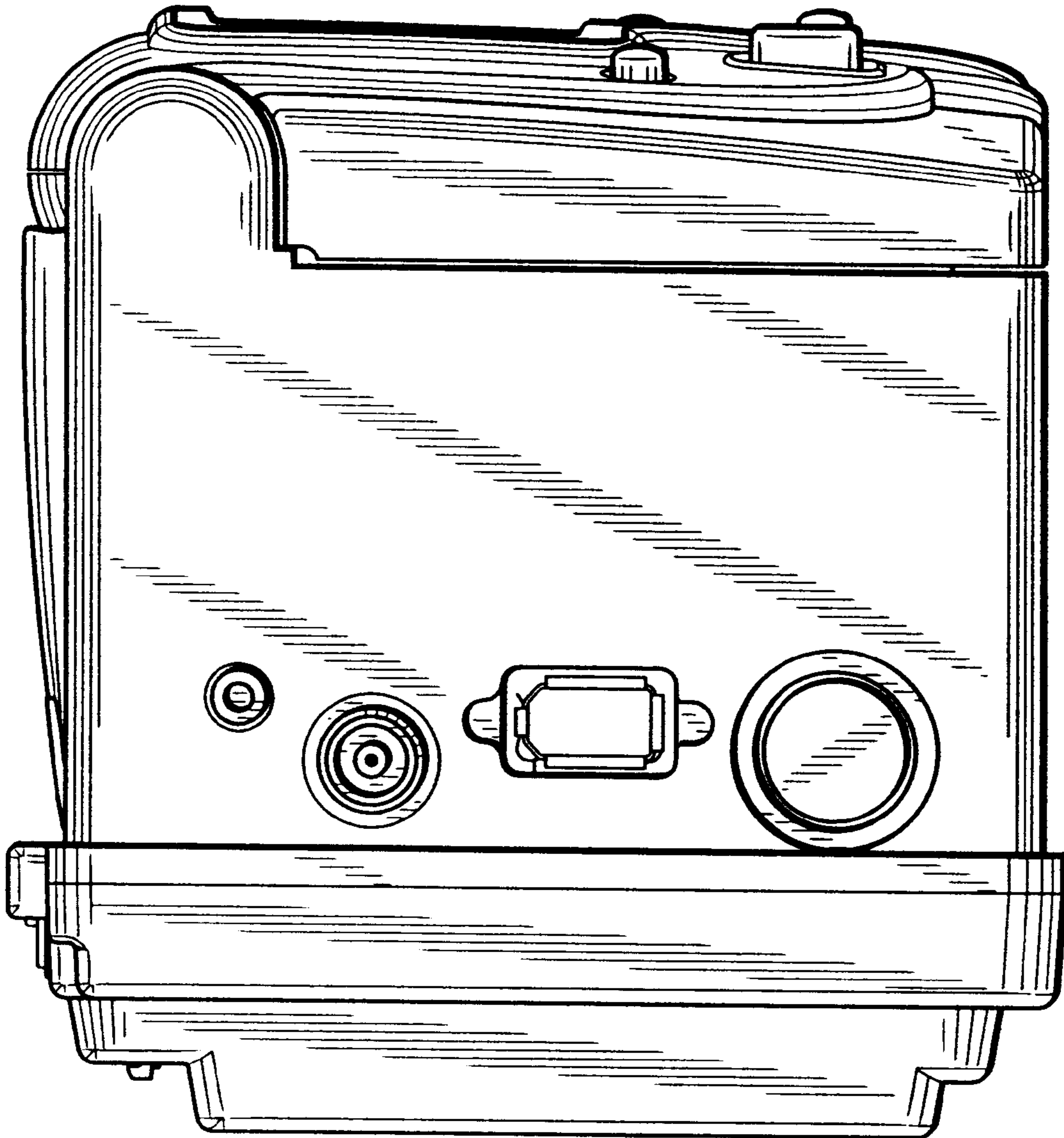


FIG. 6

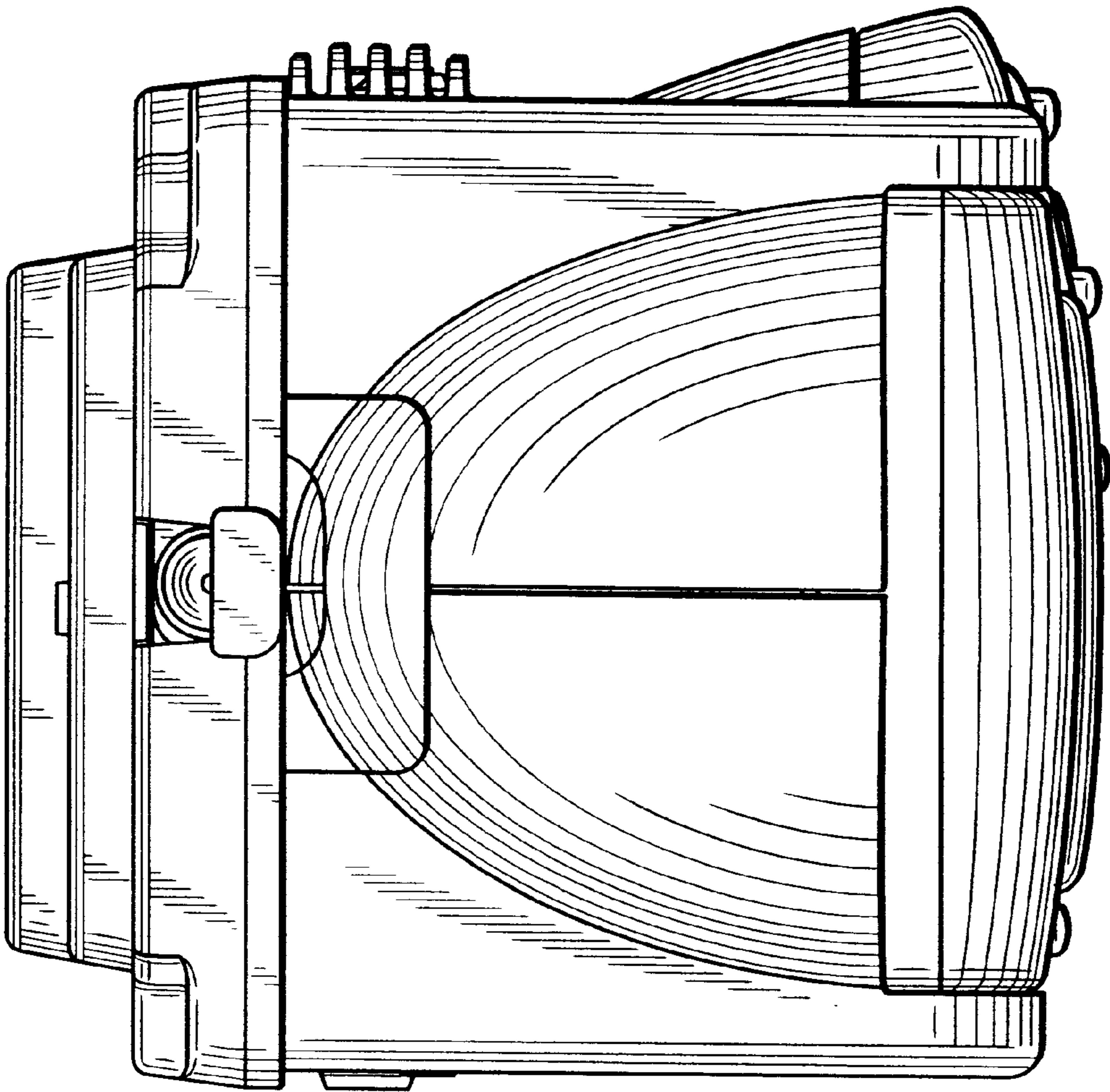


FIG. 7

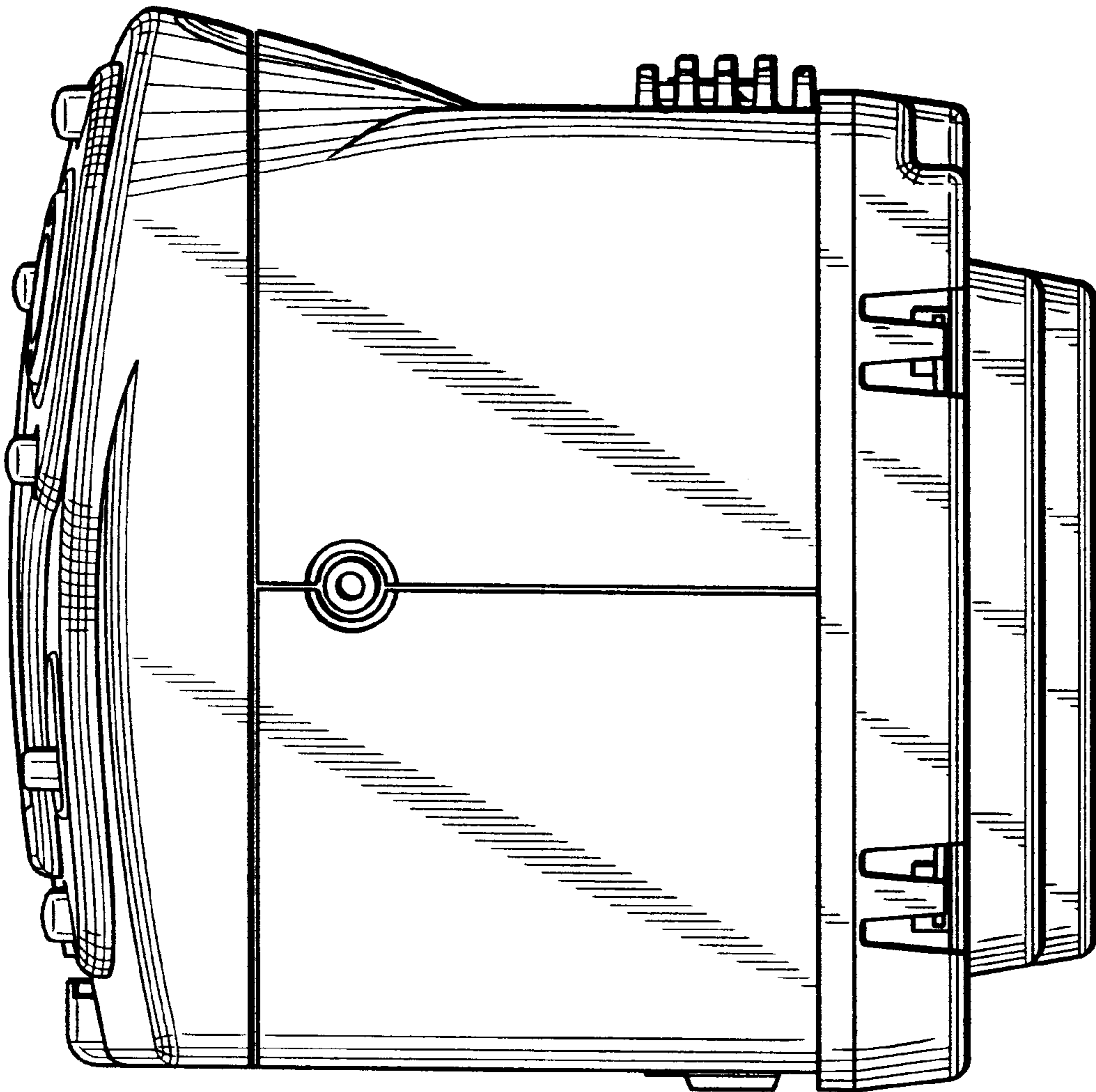


FIG. 8