



US00D460471S

(12) **United States Design Patent**  
**Oda et al.**

(10) **Patent No.:** **US D460,471 S**

(45) **Date of Patent:** **\*\* Jul. 16, 2002**

(54) **COMBINED VIDEO TAPE RECORDER AND CAMERA**

D436,365 S \* 1/2001 Harata ..... D16/202  
D443,629 S \* 6/2001 Suzuki ..... D16/202

(75) Inventors: **Masaru Oda**, Kokubunji; **Atsuhiko Urushihara**, Higashiyamato, both of (JP)

\* cited by examiner

*Primary Examiner*—Adir Aronovich

(74) *Attorney, Agent, or Firm*—Antonelli, Terry, Stout & Kraus, LLP

(73) Assignee: **Hitachi, Ltd.**, Tokyo (JP)

(\*\*) Term: **14 Years**

(57) **CLAIM**

(21) Appl. No.: **29/137,387**

The ornamental design for a combined video tape recorder and camera, as shown and described.

(22) Filed: **Feb. 21, 2001**

**DESCRIPTION**

(51) **LOC (7) Cl.** ..... **16-01**

(52) **U.S. Cl.** ..... **D16/202**

(58) **Field of Search** ..... D16/200–206,  
D16/208; 348/373–376; 352/242, 243; 358/906;  
396/535–541

FIG. 1 is a front, top and right side perspective view of a combined video tape recorder and camera showing our new design;

FIG. 2 is a front elevational view thereof;

FIG. 3 is a rear elevational view thereof;

FIG. 4 is a right side elevational view thereof;

FIG. 5 is a left side elevational view thereof;

FIG. 6 is a top plan view thereof;

FIG. 7 is a bottom plan view thereof; and,

FIG. 8 is a rear top and right side perspective view thereof, the display being in an open position.

(56) **References Cited**

**U.S. PATENT DOCUMENTS**

5,499,052 A \* 3/1996 Nakanishi et al. .... 348/373  
D384,085 S \* 9/1997 Harata ..... D16/202  
D399,225 S \* 10/1998 Ishii ..... D16/202  
D409,639 S \* 5/1999 Sumita ..... D16/202

**1 Claim, 7 Drawing Sheets**

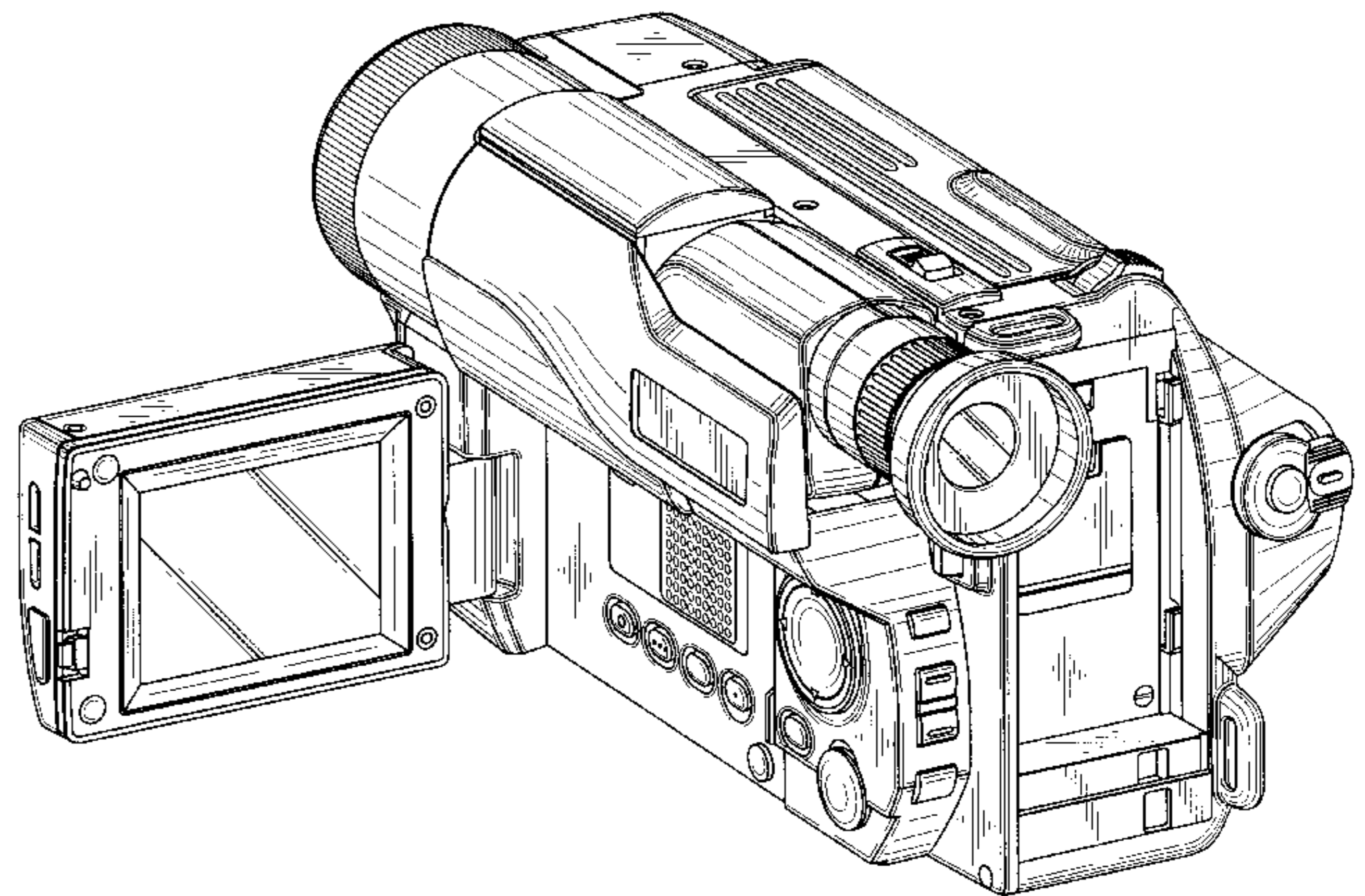
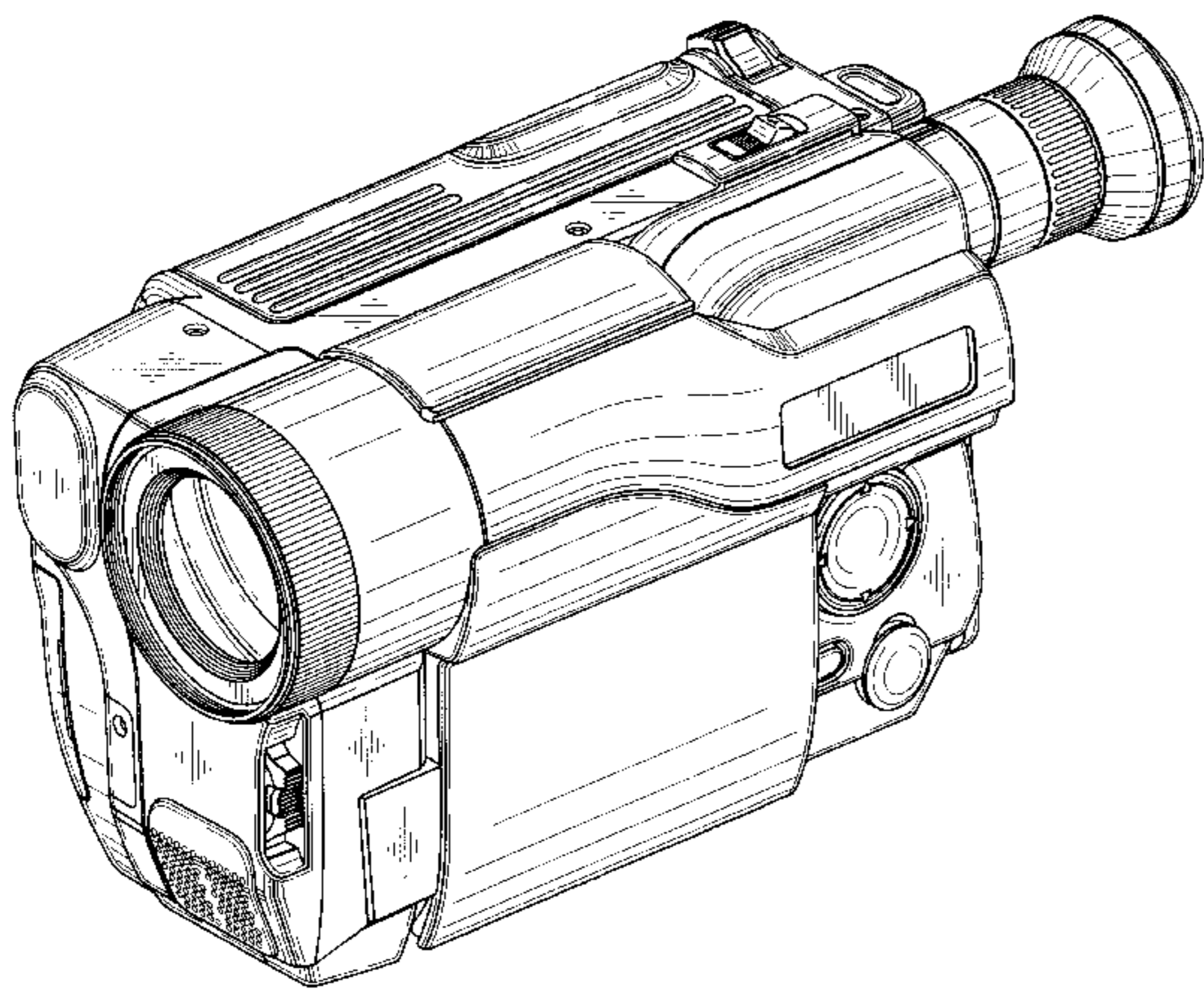


FIG. 1

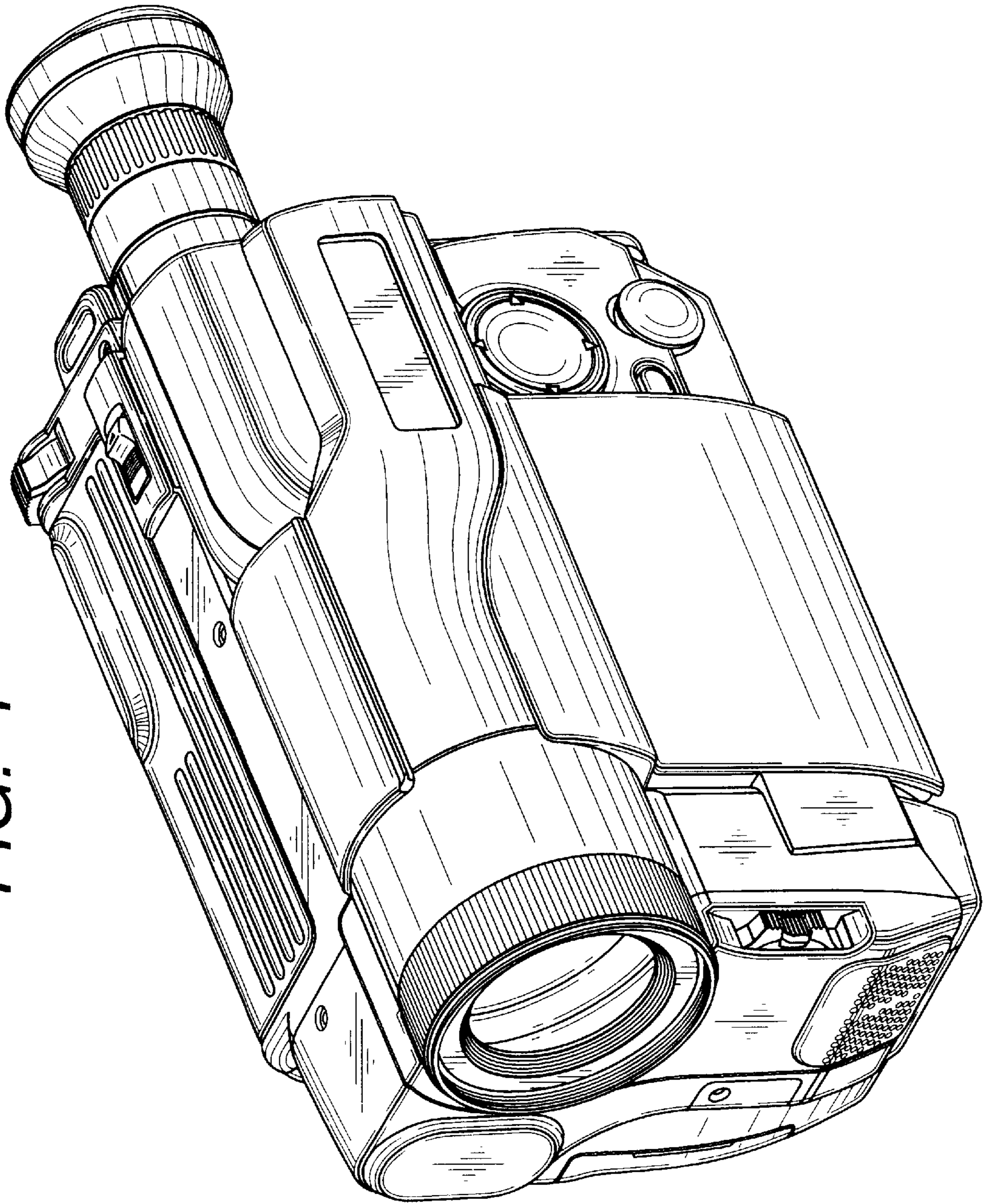




FIG. 3

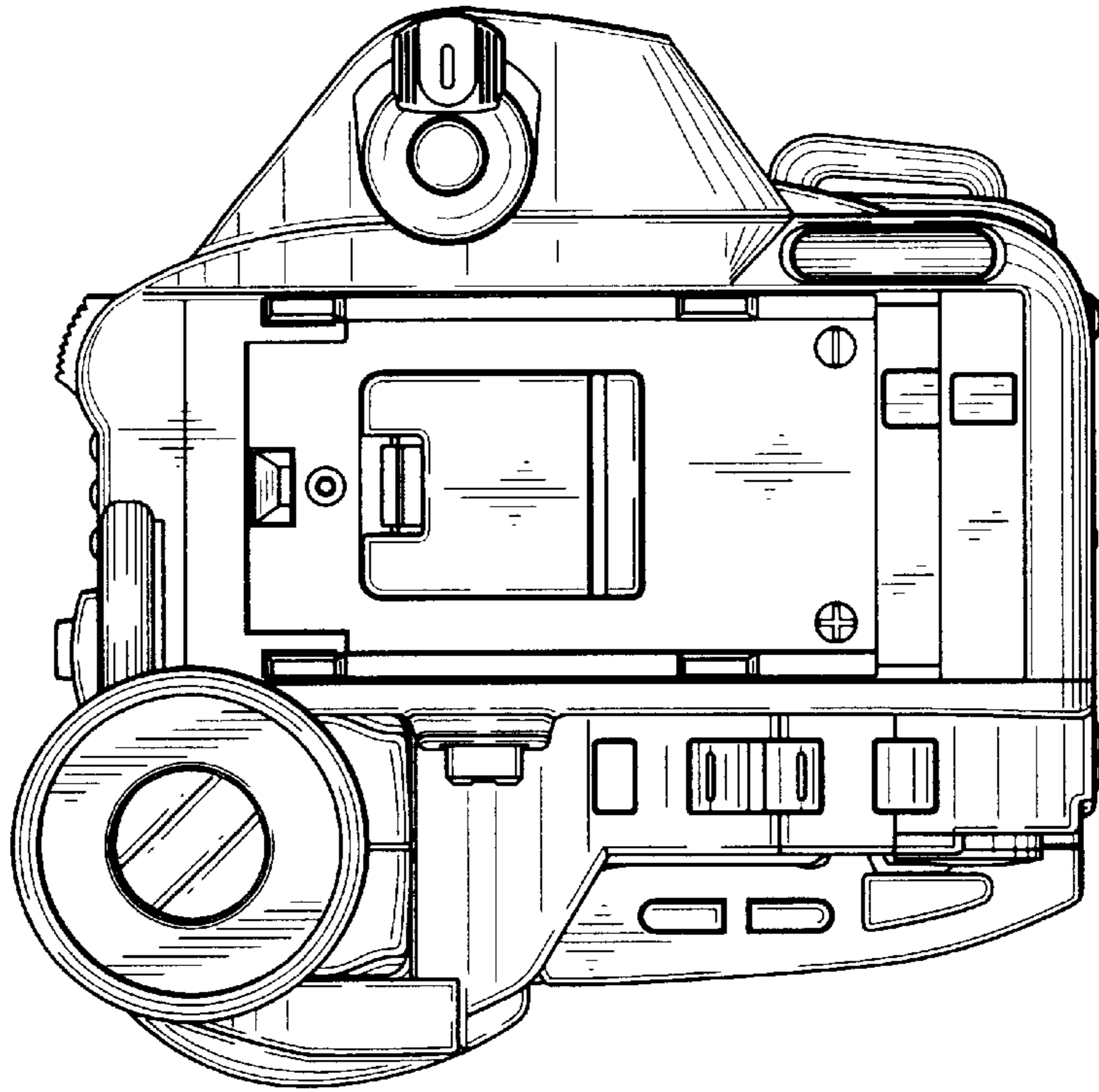


FIG. 2

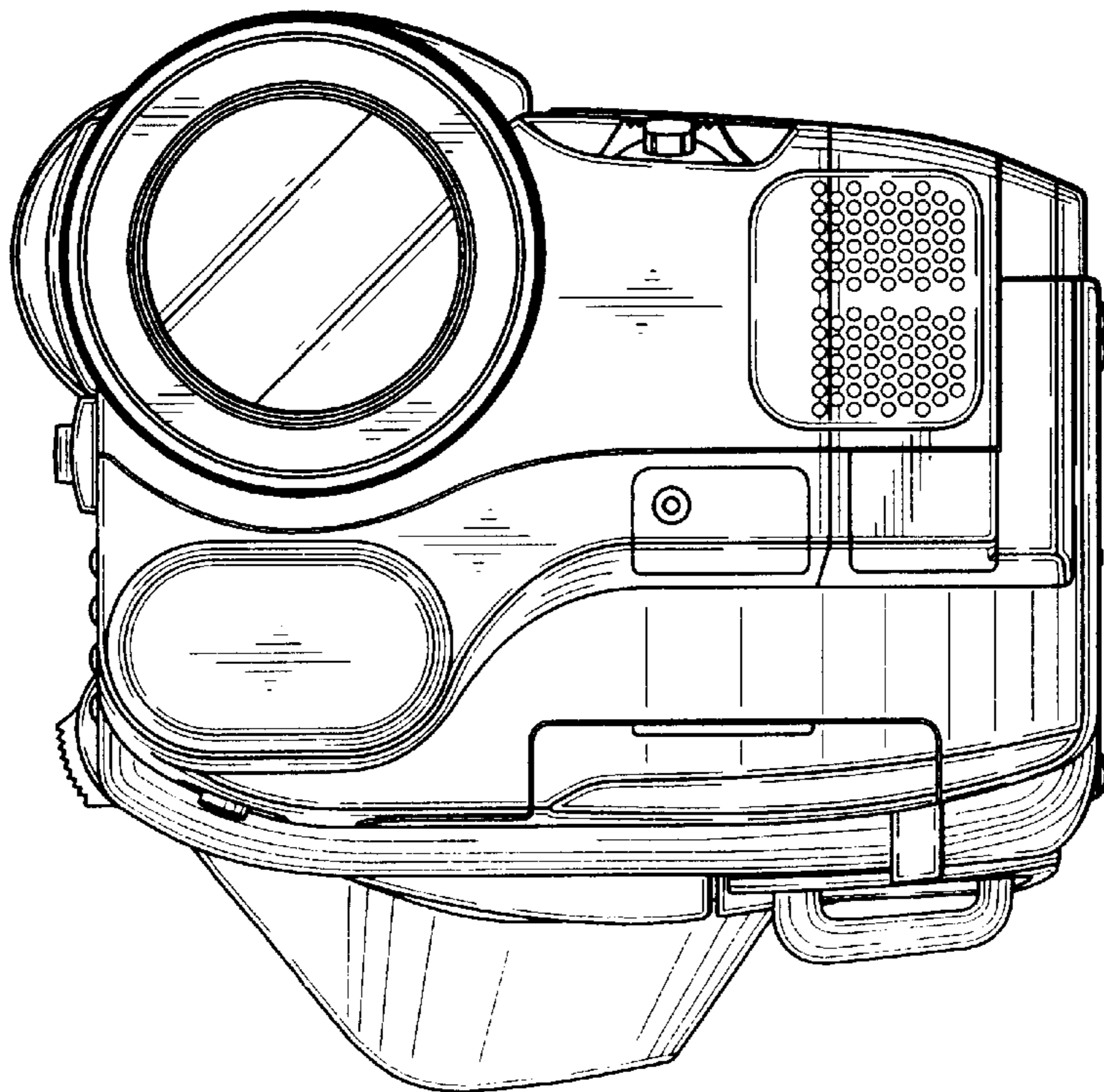


FIG. 4

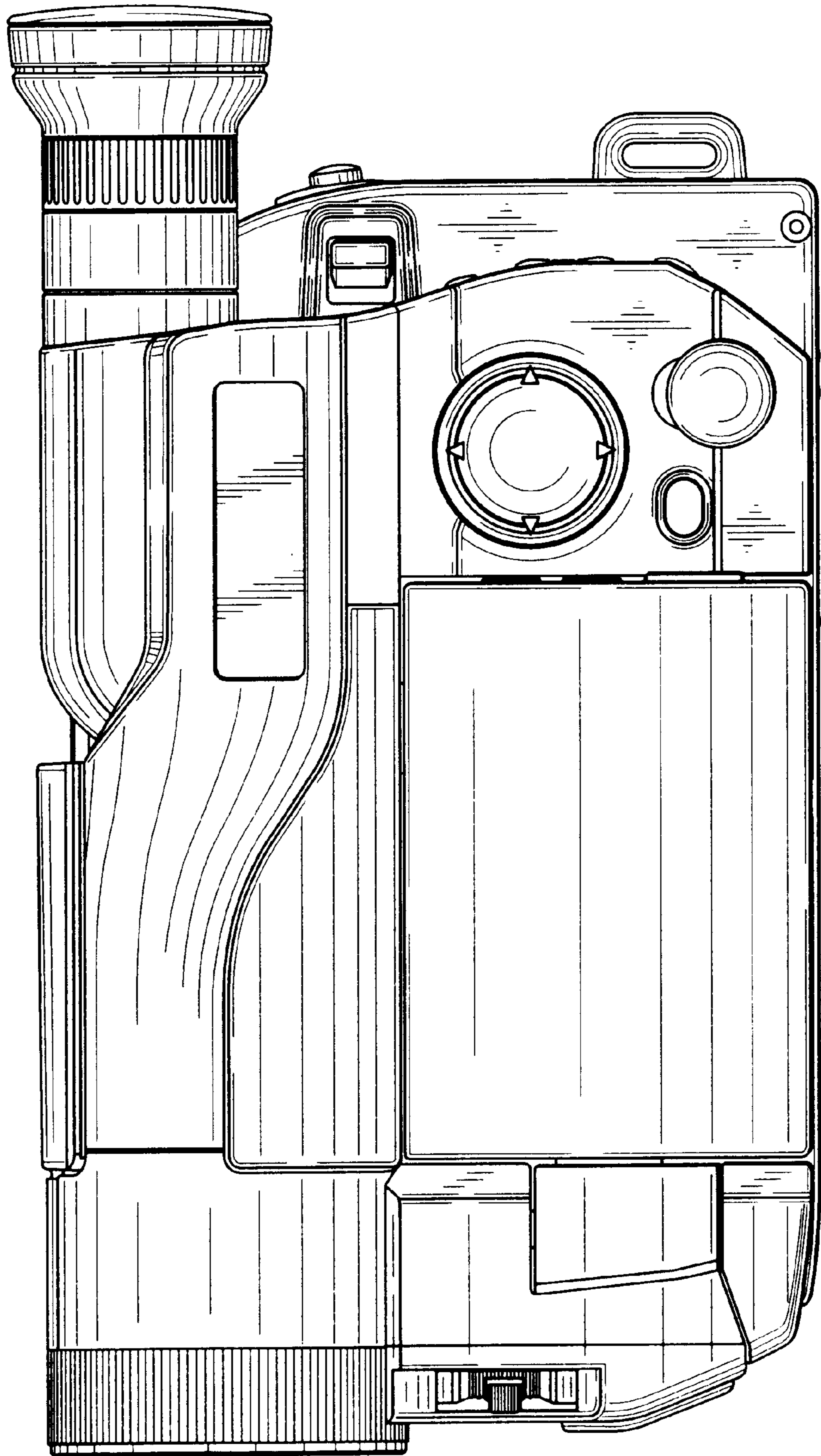
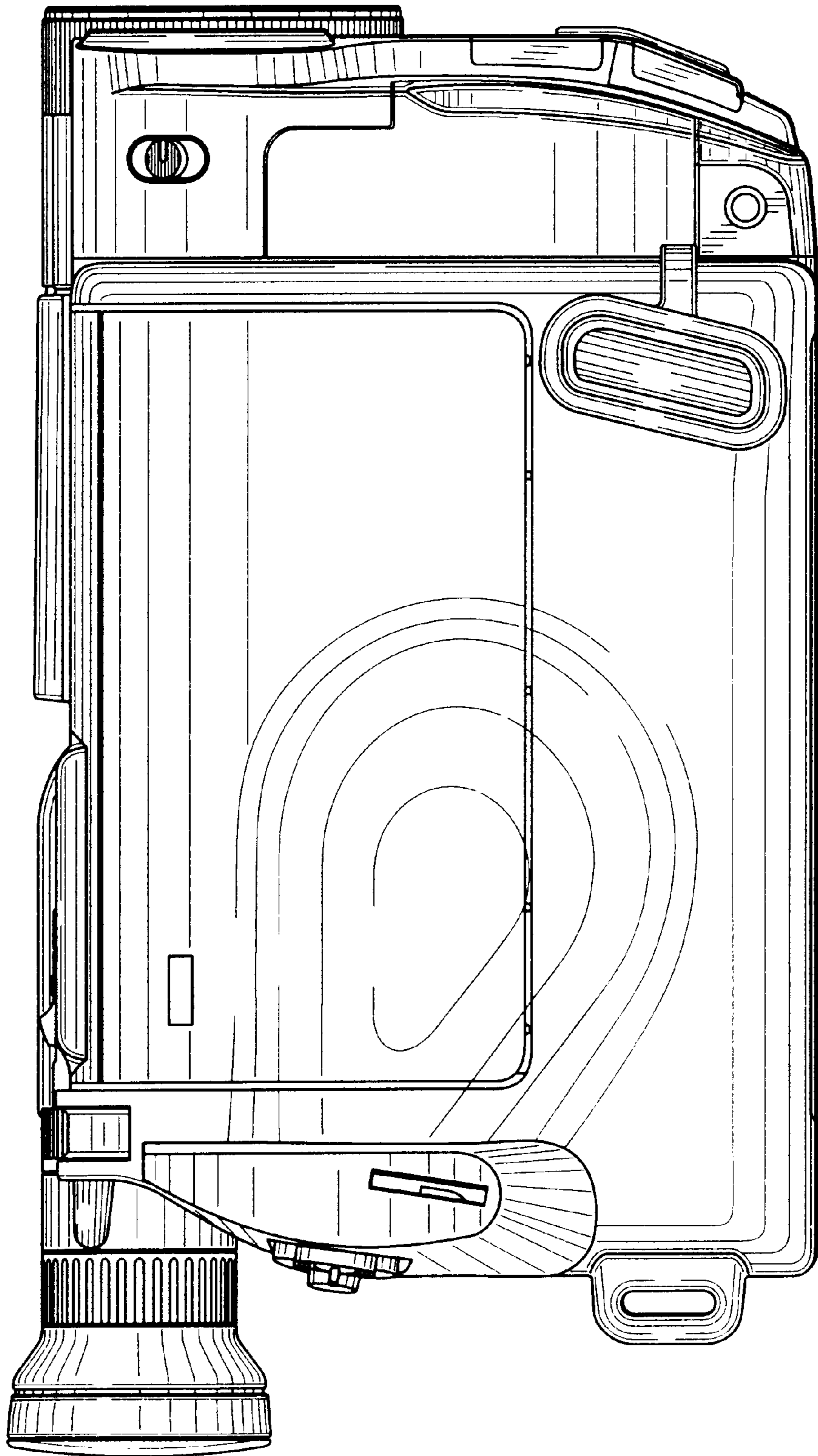
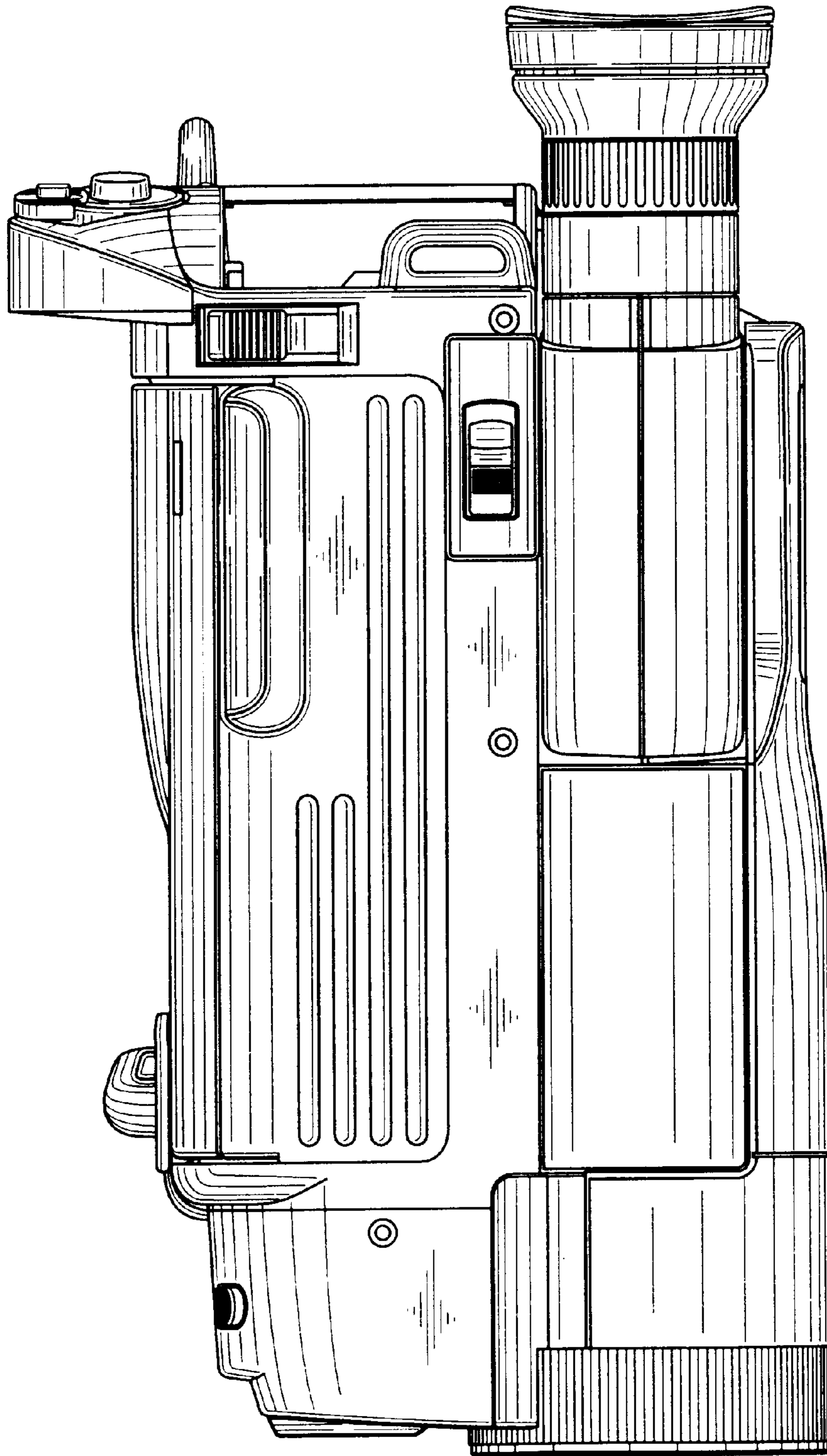


FIG. 5

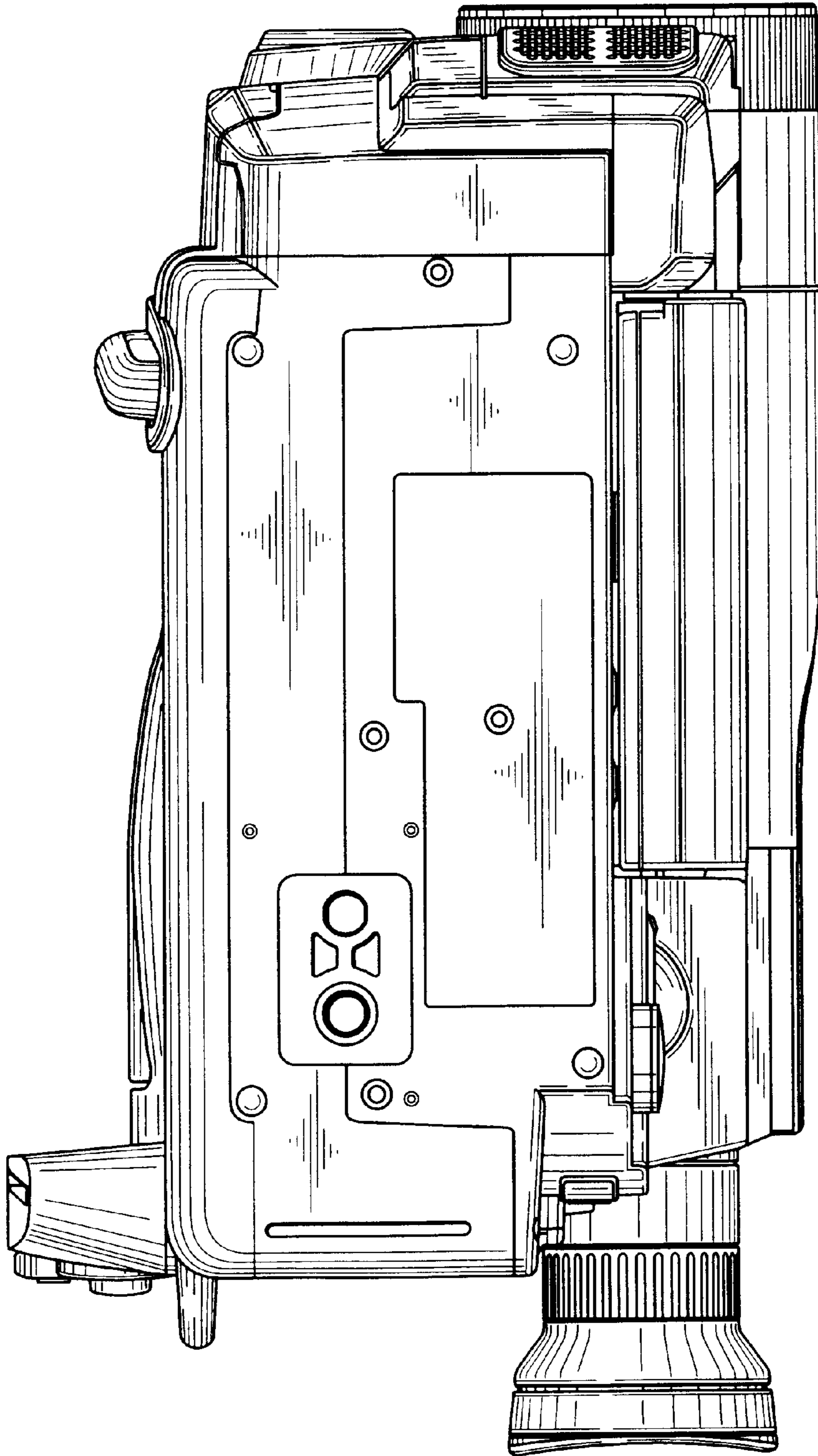


*FIG. 6*





*FIG. 7*



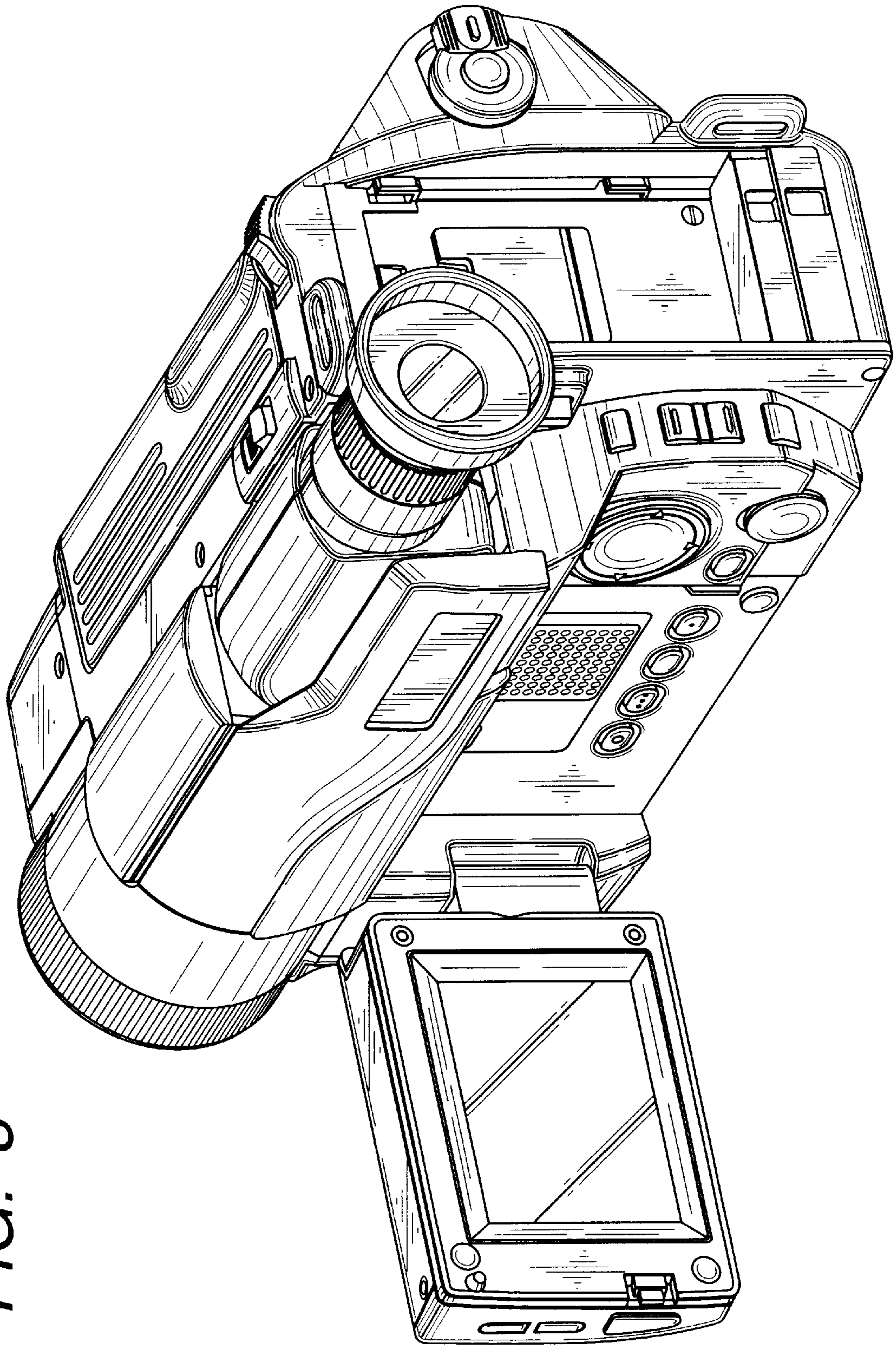


FIG. 8