



US00D460470S

(12) **United States Design Patent**
Brown

(10) **Patent No.:** **US D460,470 S**

(45) **Date of Patent:** **** Jul. 16, 2002**

(54) **VIEWER FOR GEMSTONES**

(75) Inventor: **Graham Maurice Brown**, Berkshire (GB)

(73) Assignee: **Gersan Establishment (LI)**

(**) Term: **14 Years**

(21) Appl. No.: **29/140,436**

(22) Filed: **Apr. 18, 2001**

(30) **Foreign Application Priority Data**

Oct. 18, 2000 (GB) 2096736

(51) **LOC (7) Cl.** **16-06**

(52) **U.S. Cl.** **D16/135**

(58) **Field of Search** D16/130, 135;
D28/78, 91.1; D9/420; 206/235, 587, 823;
132/293, 294, 295-307; 359/802, 803, 804,
809, 811, 818, 819

(56) **References Cited**

U.S. PATENT DOCUMENTS

D202,449 S	*	9/1965	Braun	D9/420
3,936,156 A	*	2/1976	Shaw et al.	359/802
D357,694 S	*	4/1995	Kirkpatrick	D16/135
5,446,595 A	*	8/1995	McFall	359/804
D427,617 S	*	7/2000	Brown	D16/135

* cited by examiner

Primary Examiner—Paula A. Mortimer

(74) *Attorney, Agent, or Firm*—Schwegman, Lundberg, Woessner & Kluth, P.A.

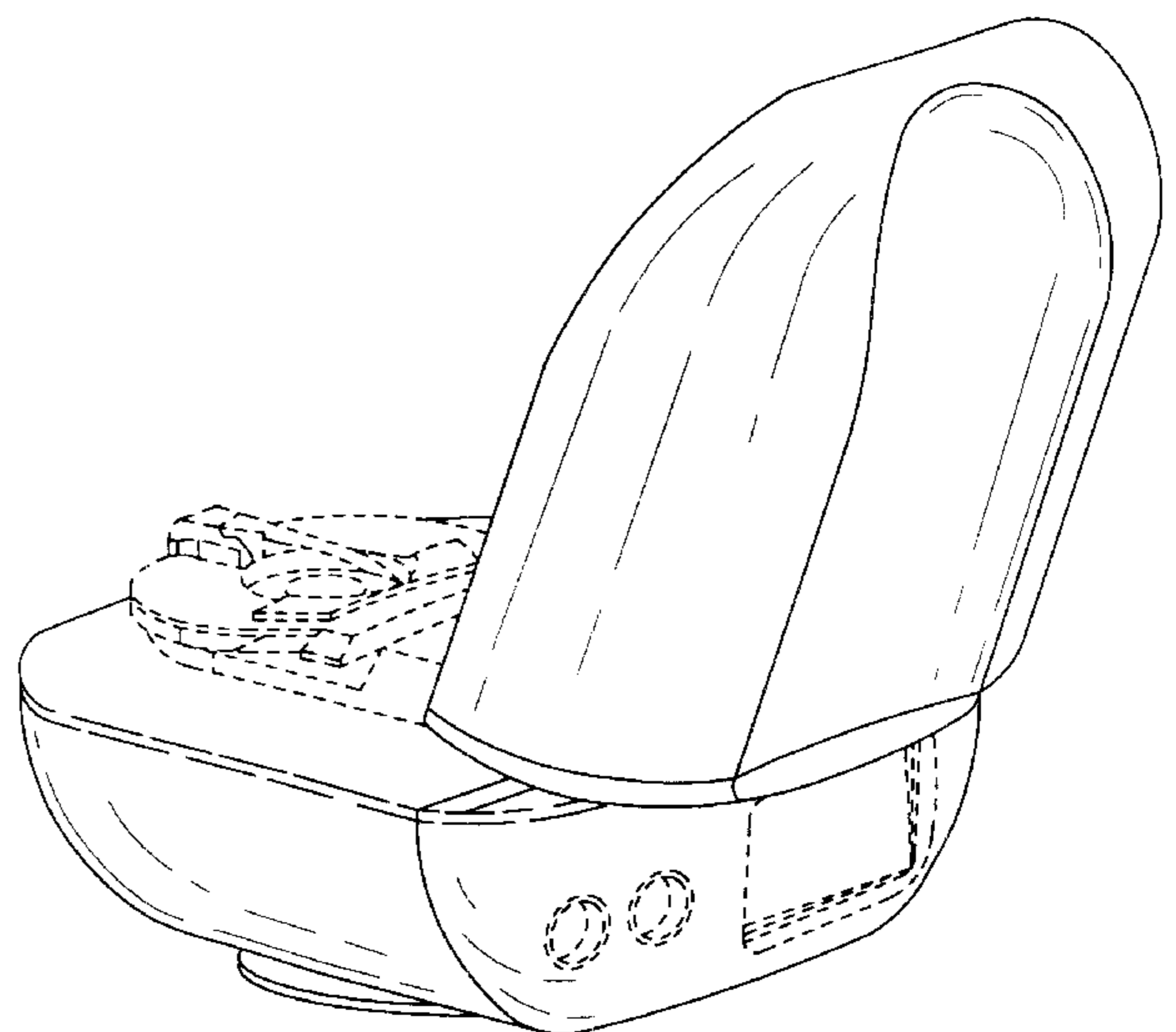
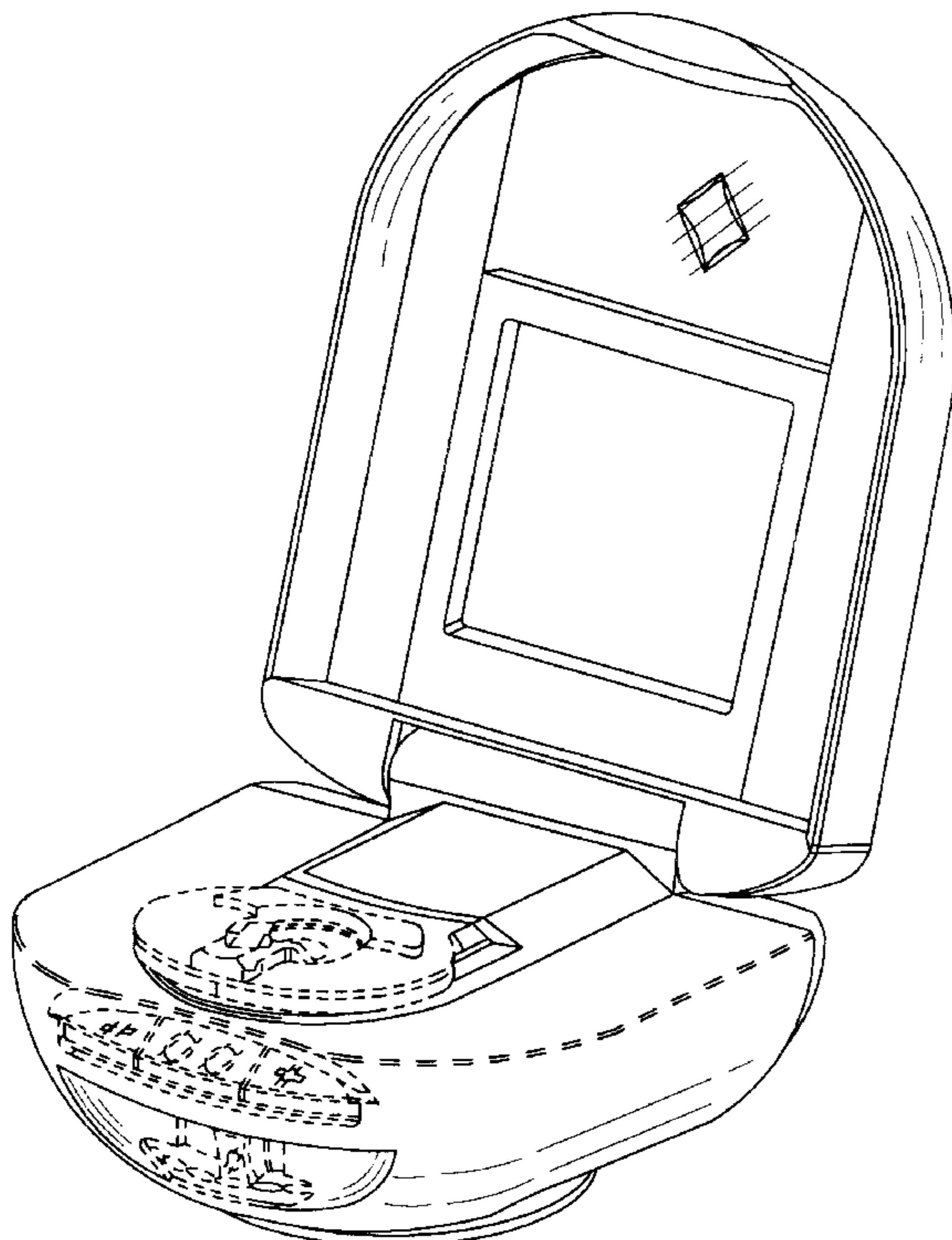
(57) **CLAIM**

The ornamental design for the viewer for gemstones, as shown and described.

DESCRIPTION

FIG. 1 is a front view (open position) of the viewer for gemstones, incorporating the new design;
 FIG. 2 is a front view (closed position) of the viewer for gemstones of FIG. 1;
 FIG. 3 is a plan view (open position) of the viewer for gemstones of FIG. 1;
 FIG. 4 is a plan view (closed position) of the viewer for gemstones of FIG. 2;
 FIG. 5 is an bottom view (closed position) of the viewer for gemstones of FIG. 2;
 FIG. 6 is an bottom view (open position) of the viewer for gemstones of FIG. 1;
 FIG. 7 is a perspective view from above, front and one side (open position) of the viewer for gemstones of FIG. 1;
 FIG. 8 is a perspective view from above, front and one side (closed position) of the viewer for gemstones of FIG. 2;
 FIG. 9 is a perspective view from above, rear and one side (open position) of the viewer for gemstones of FIG. 1;
 FIG. 10 is a perspective view from above, front and one side (closed position) of the viewer for gemstones of FIG. 2;
 FIG. 11 is a front view of another embodiment of the viewer for gemstones;
 FIG. 12 is a plan view thereof;
 FIG. 13 is a first perspective thereof; and,
 FIG. 14 is a second perspective view thereof.
 The broken lines shown in the Figures are for illustrative purposes only and form no part of the claimed design.

1 Claim, 6 Drawing Sheets



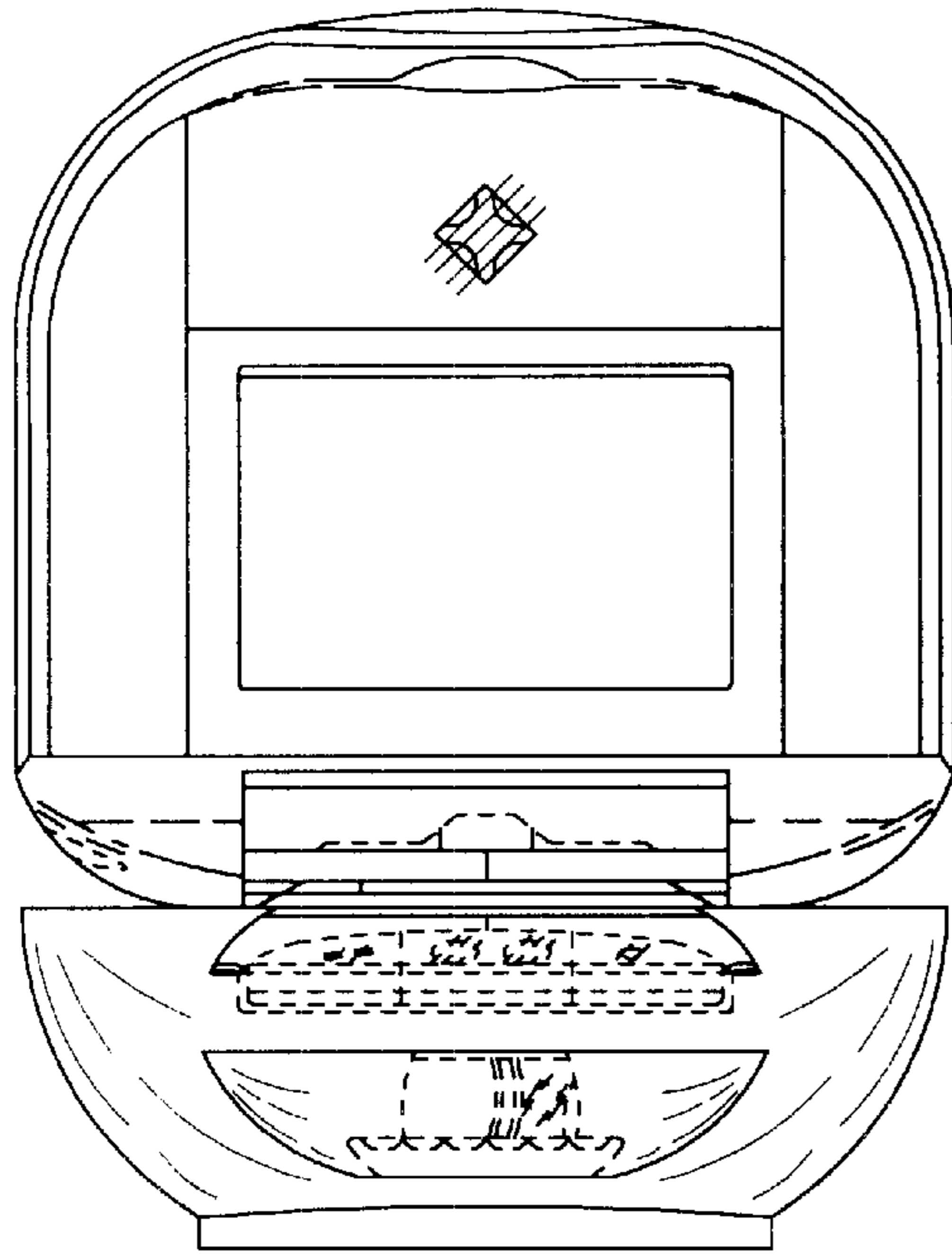


FIG. 1

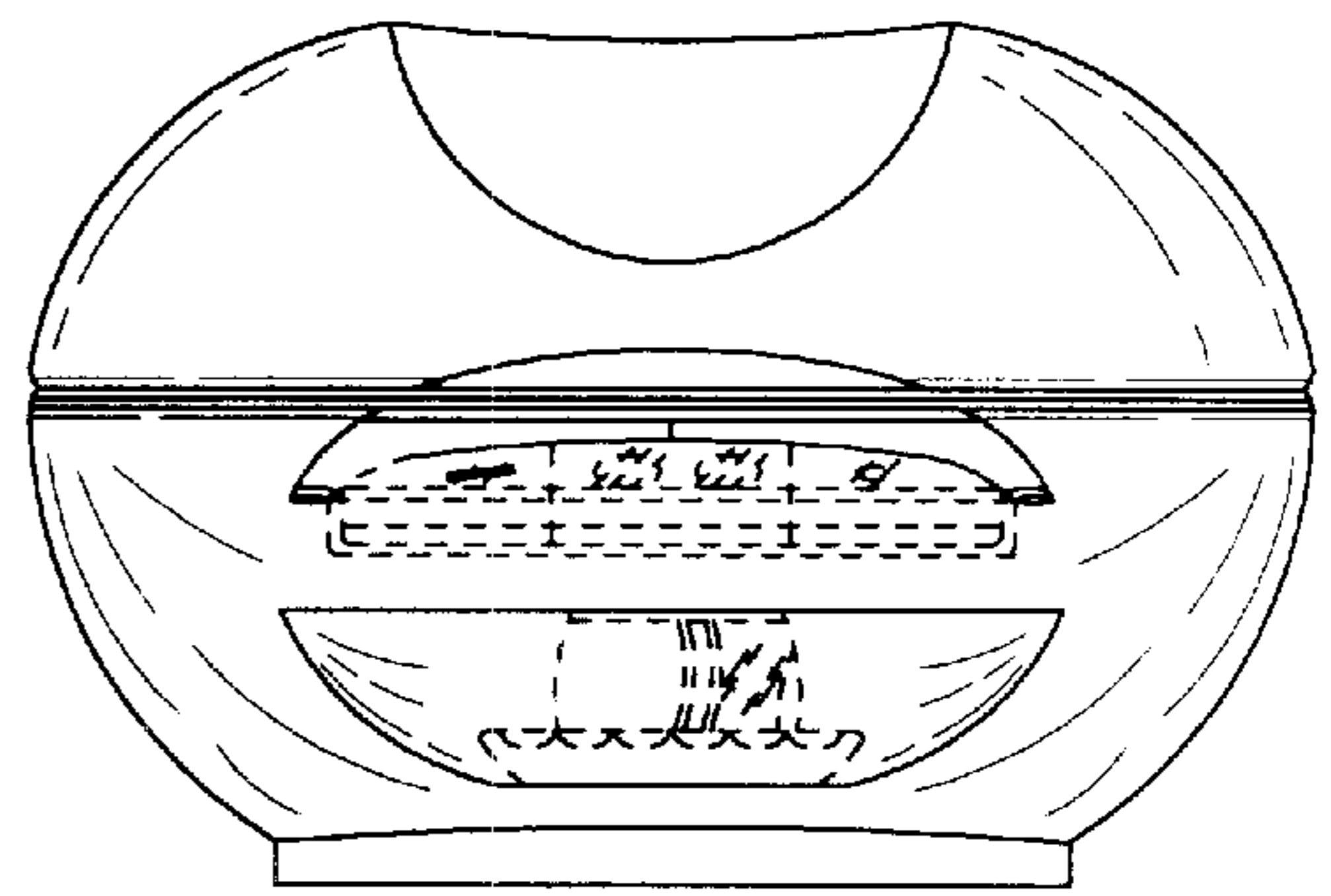


FIG. 2

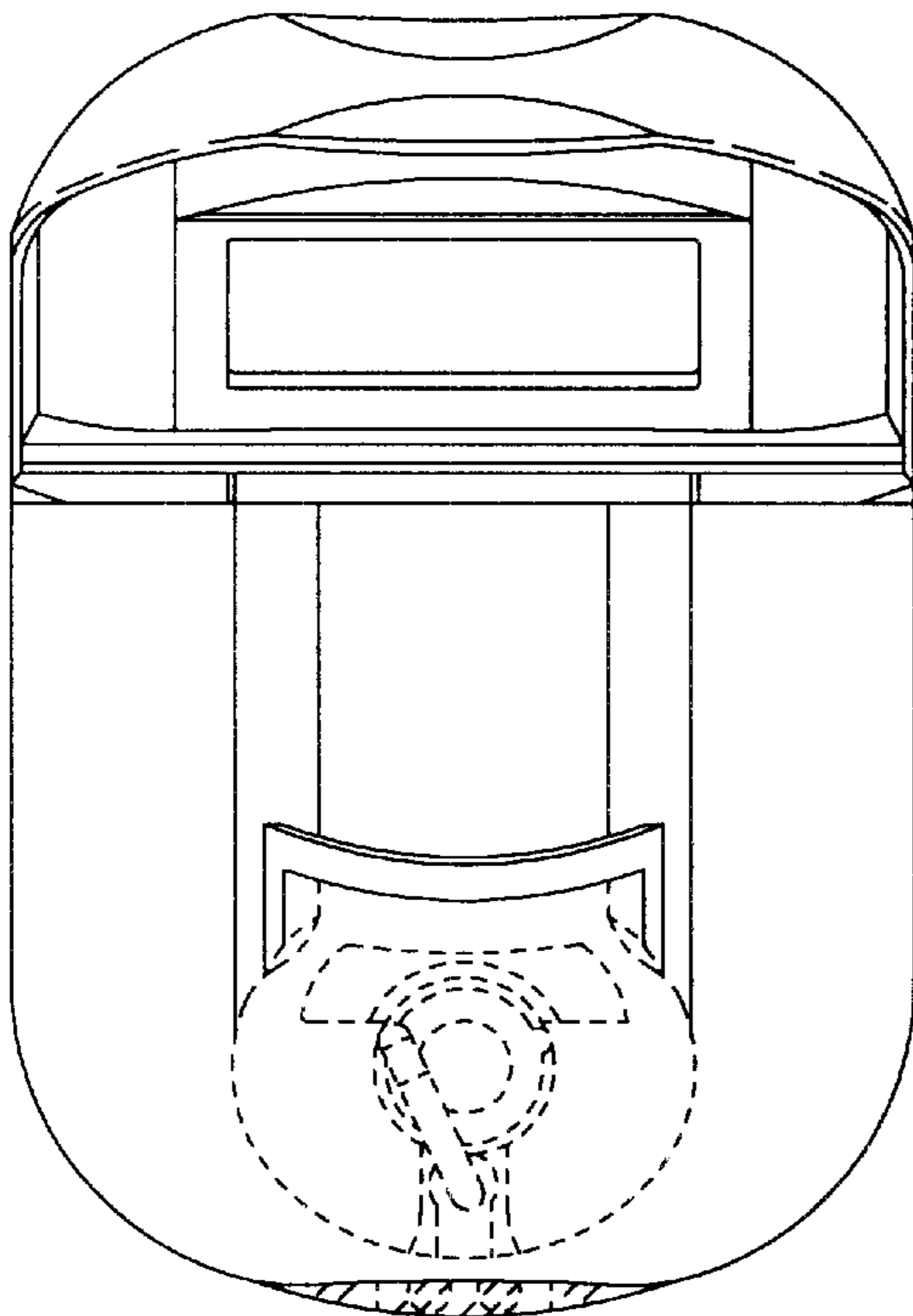


FIG. 3

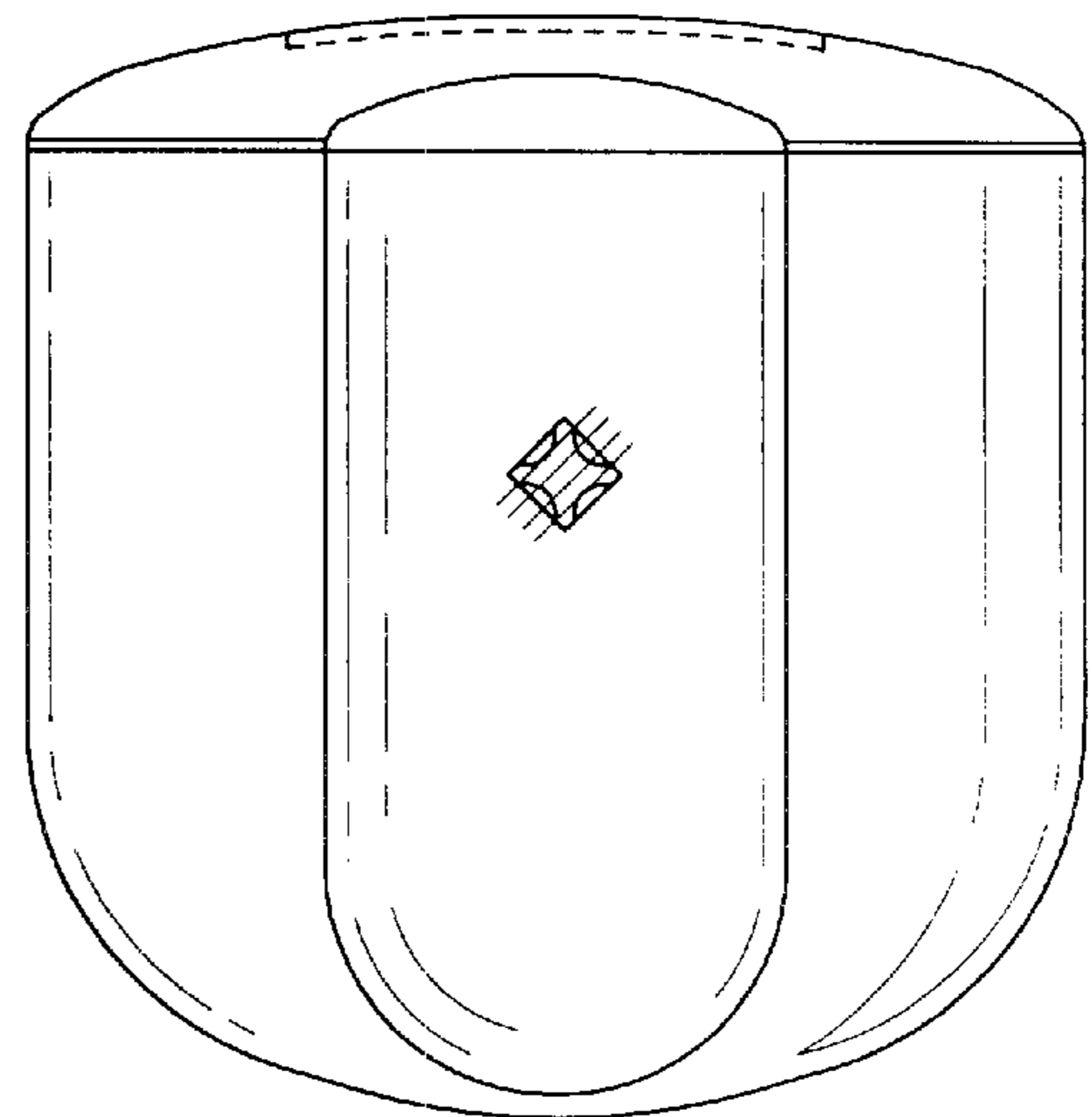


FIG. 4

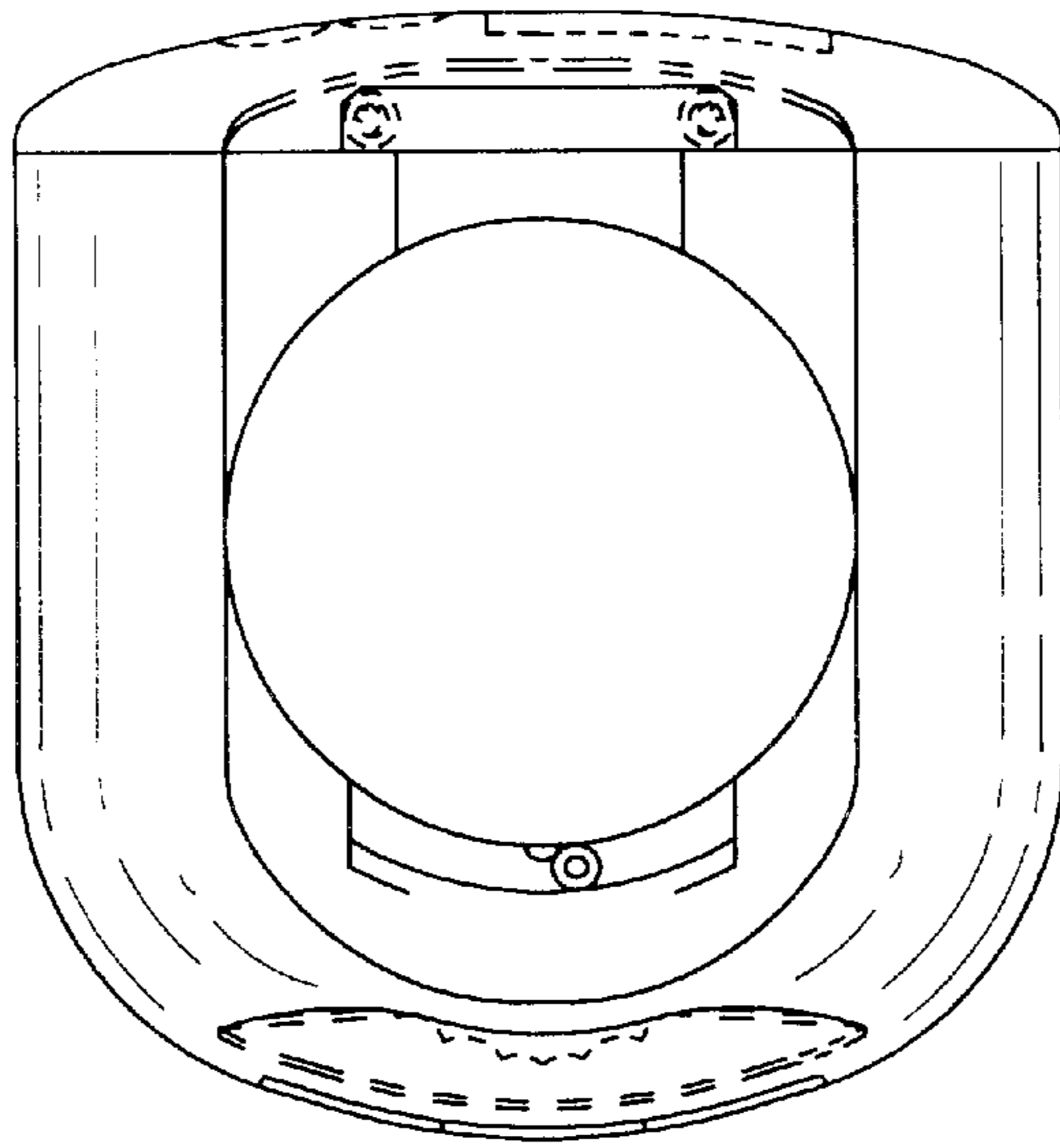


FIG. 5

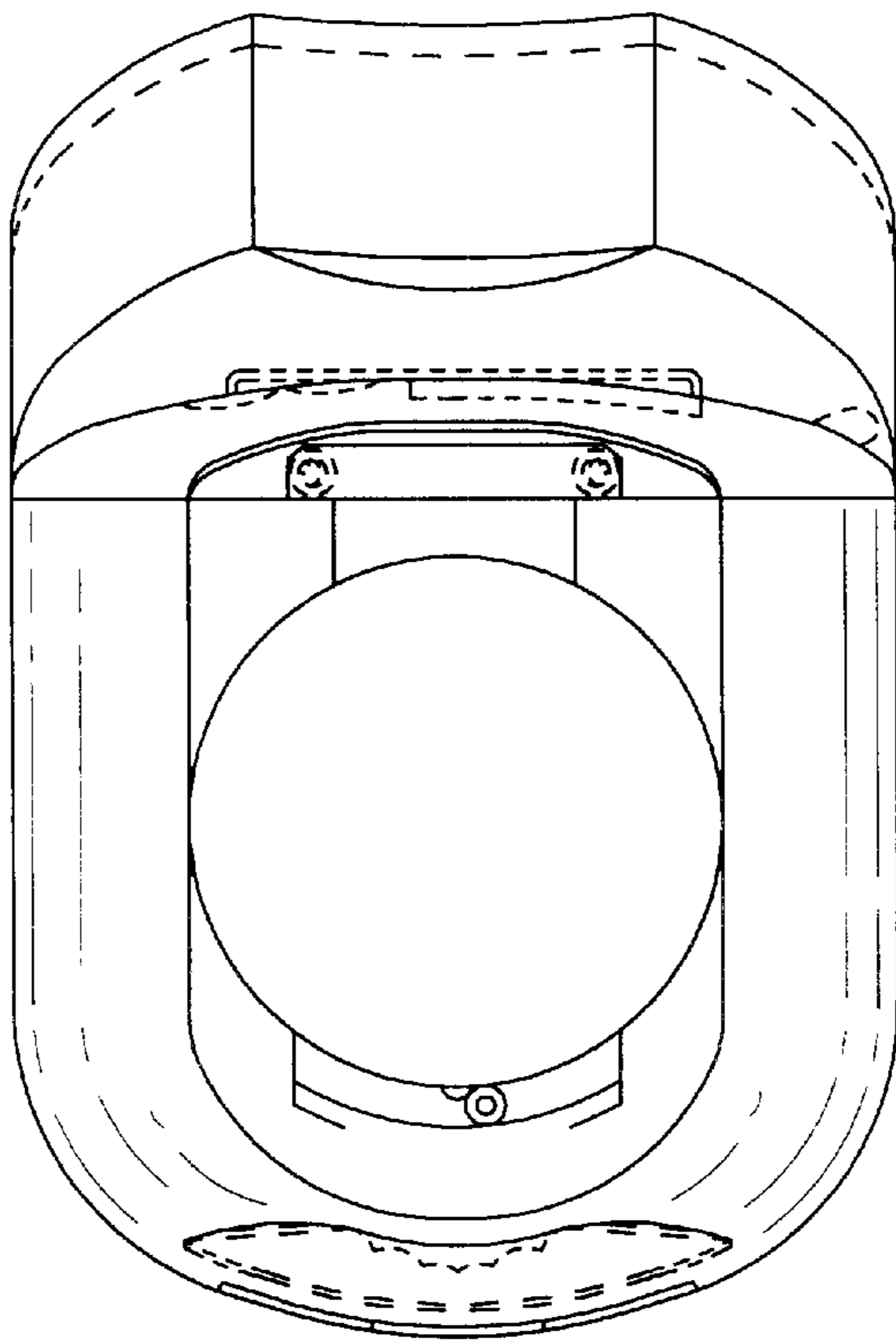


FIG. 6

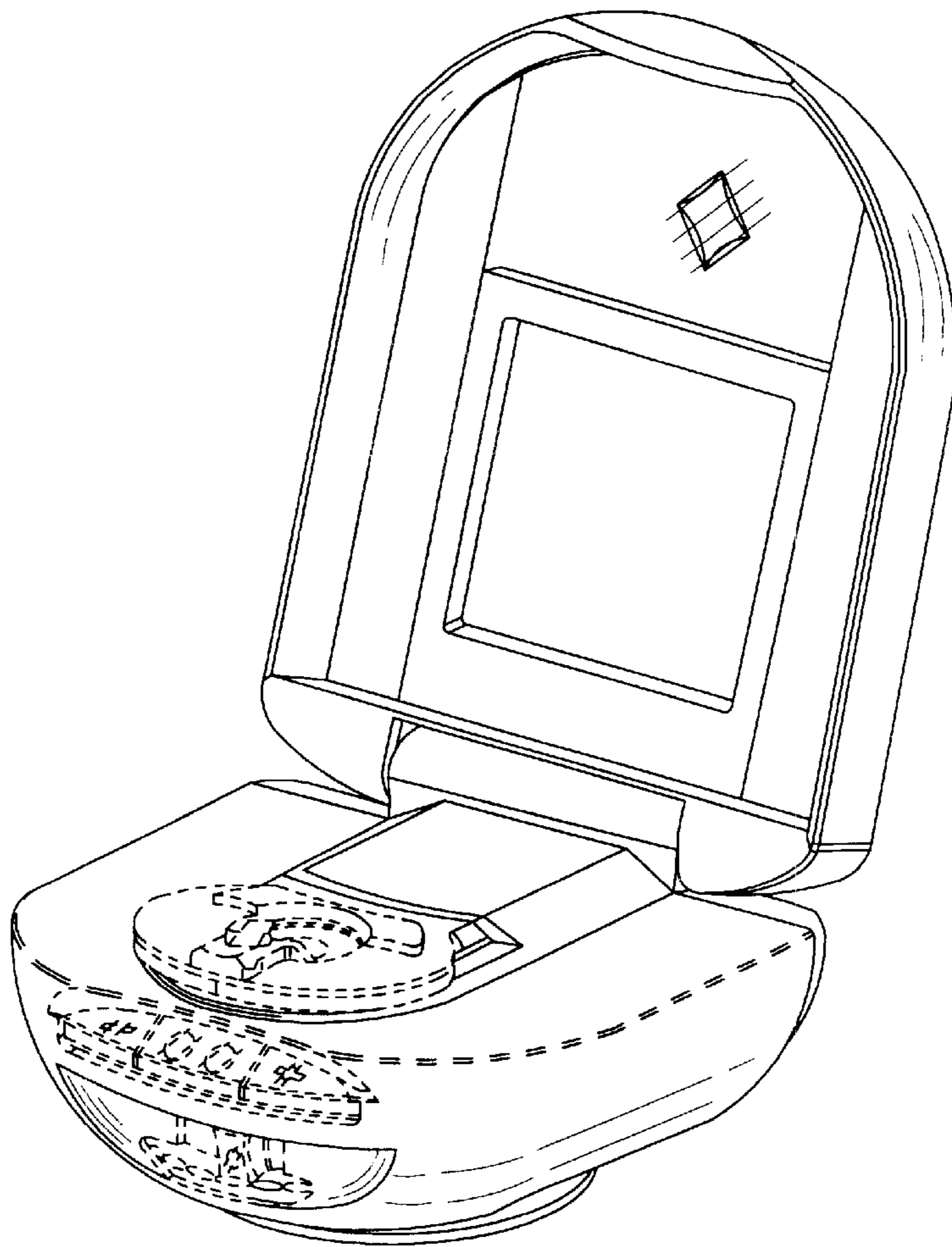


FIG. 7

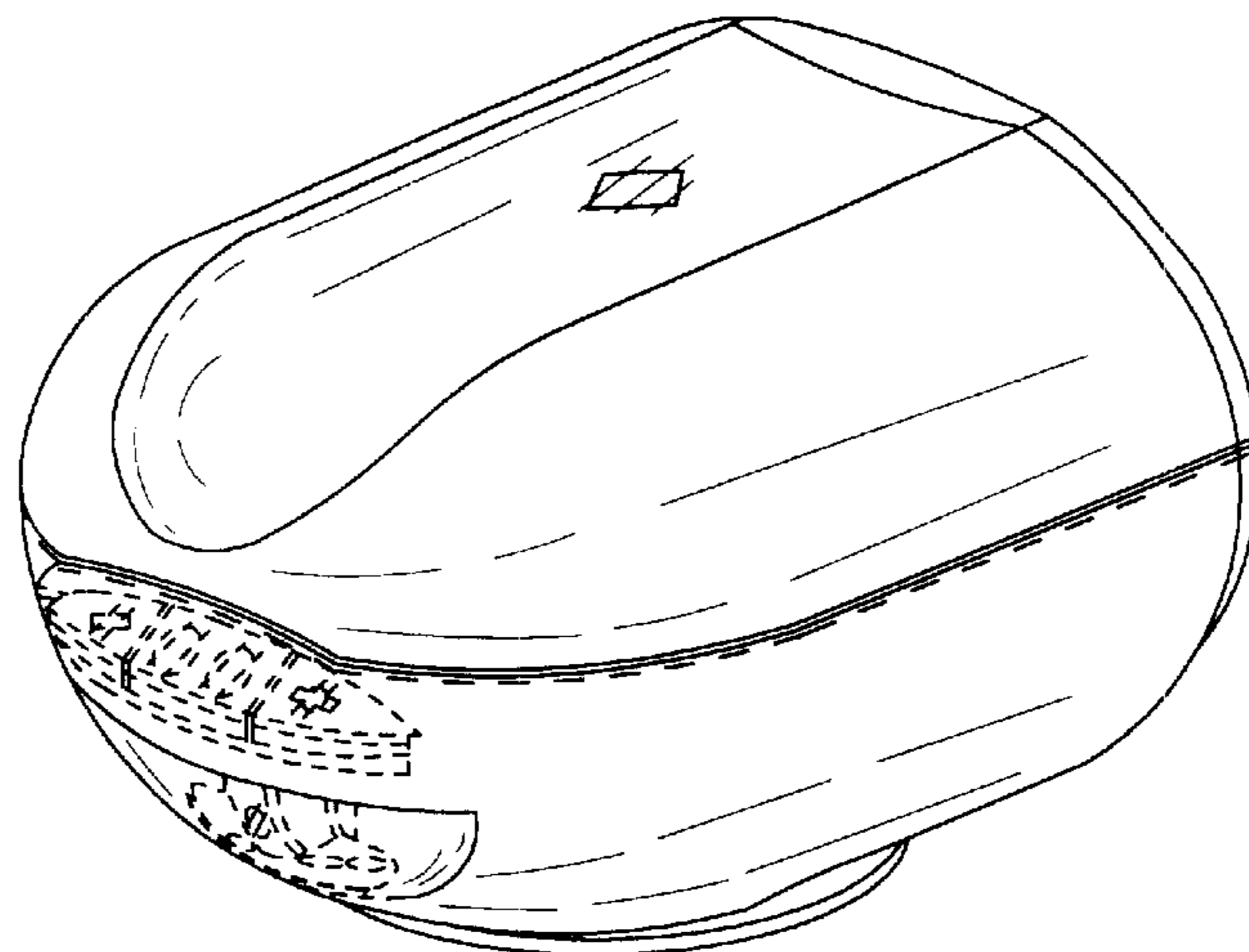


FIG. 8

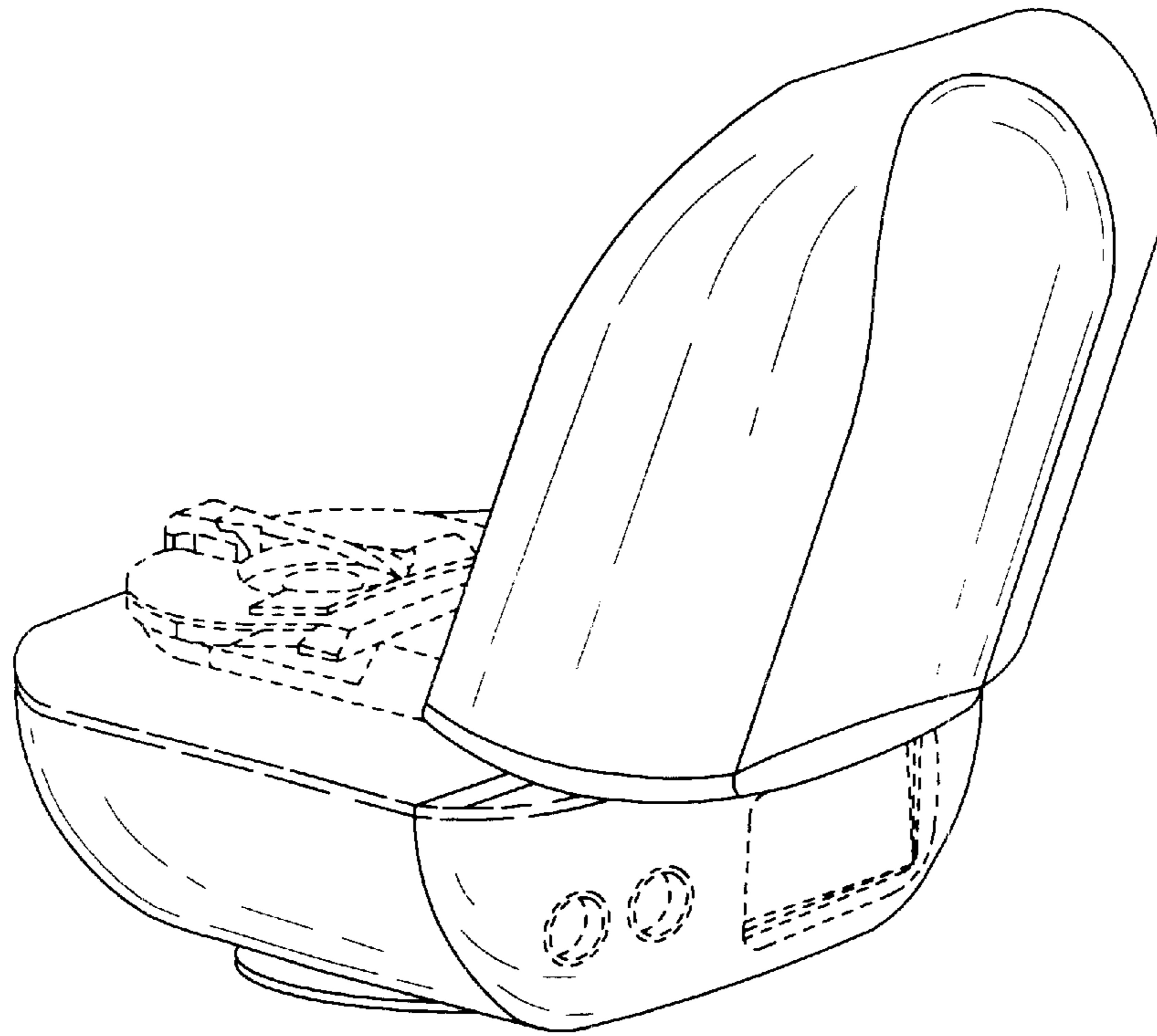


FIG. 9

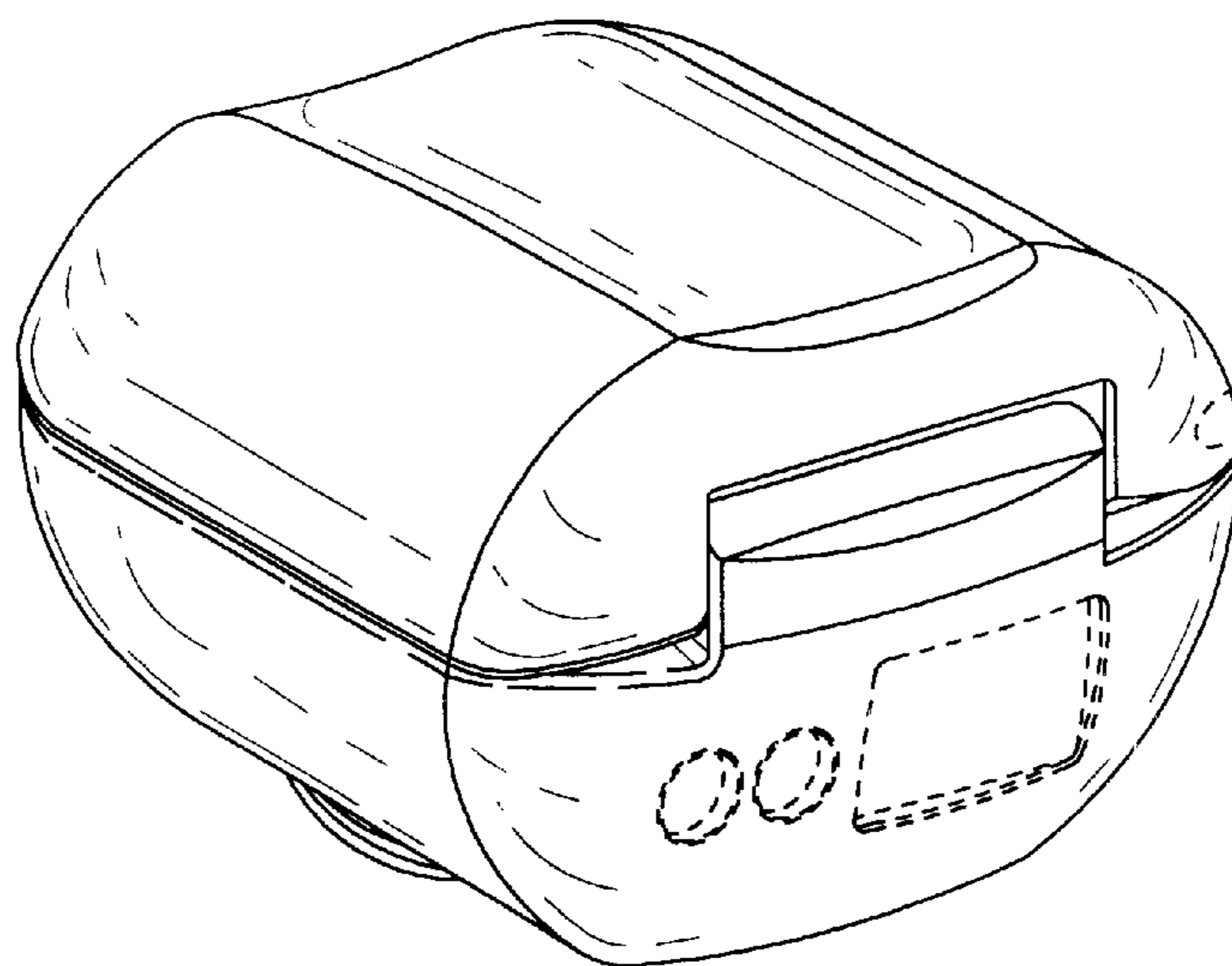


FIG. 10

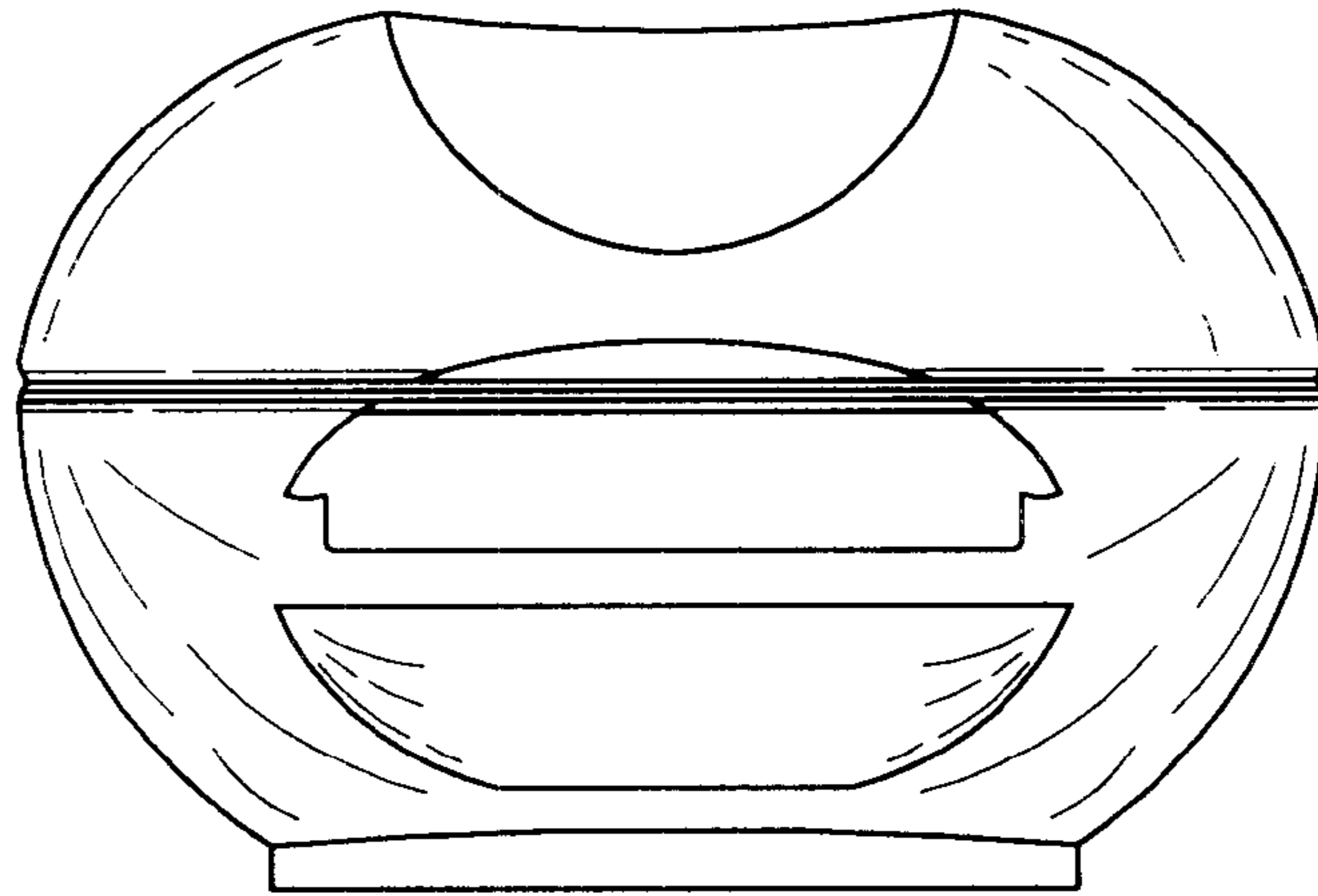


FIG. 11

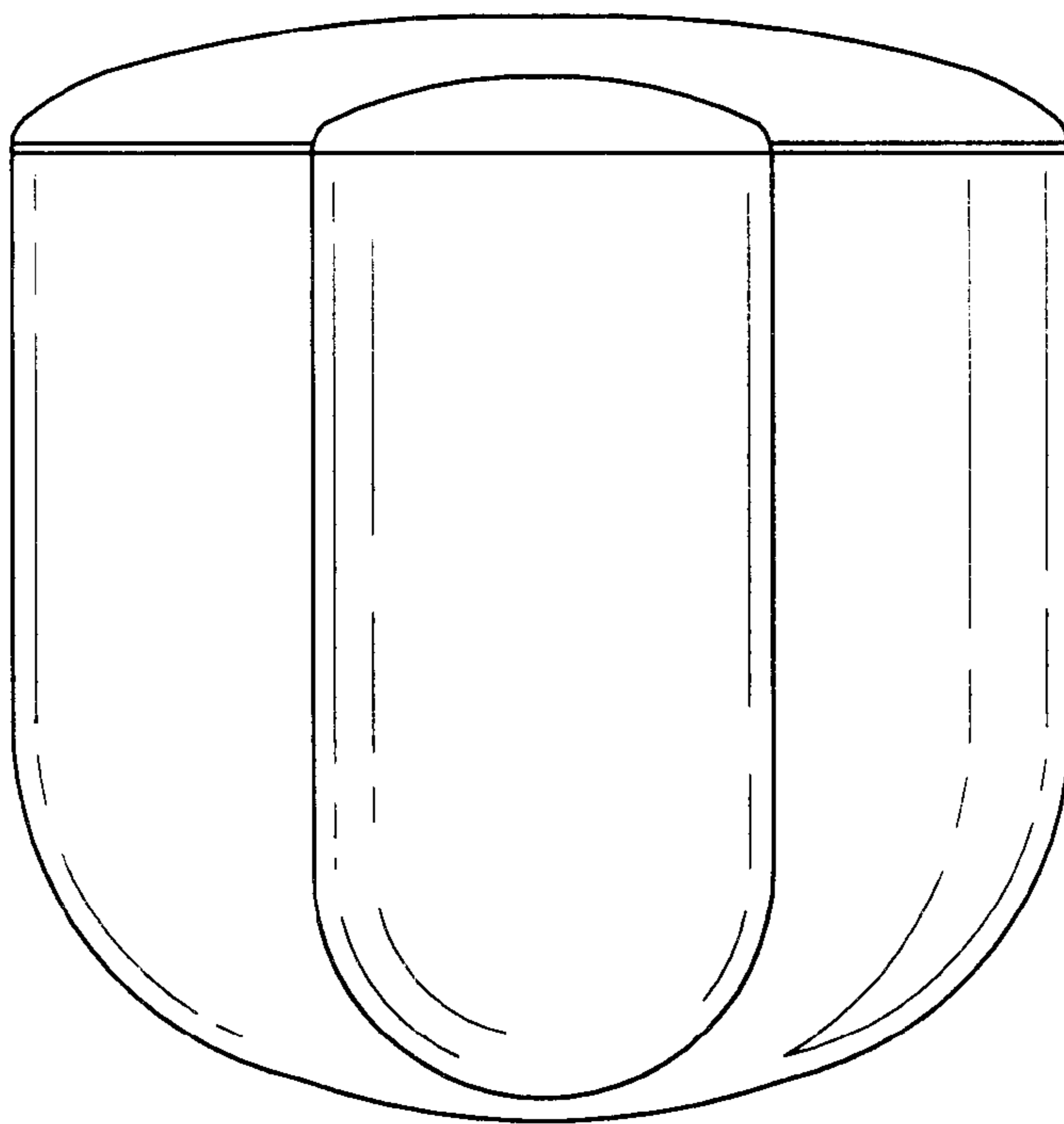


FIG. 12

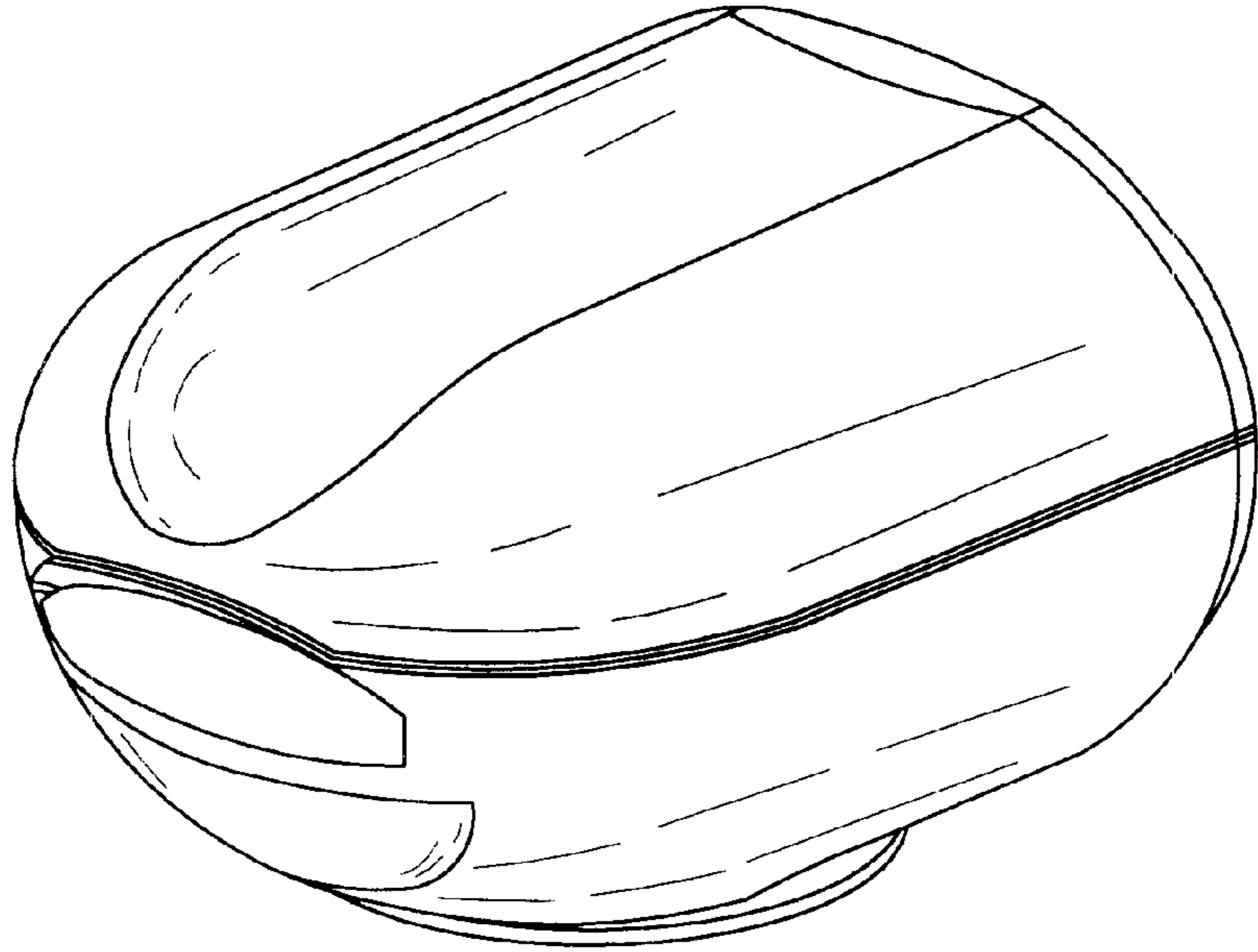


FIG. 13

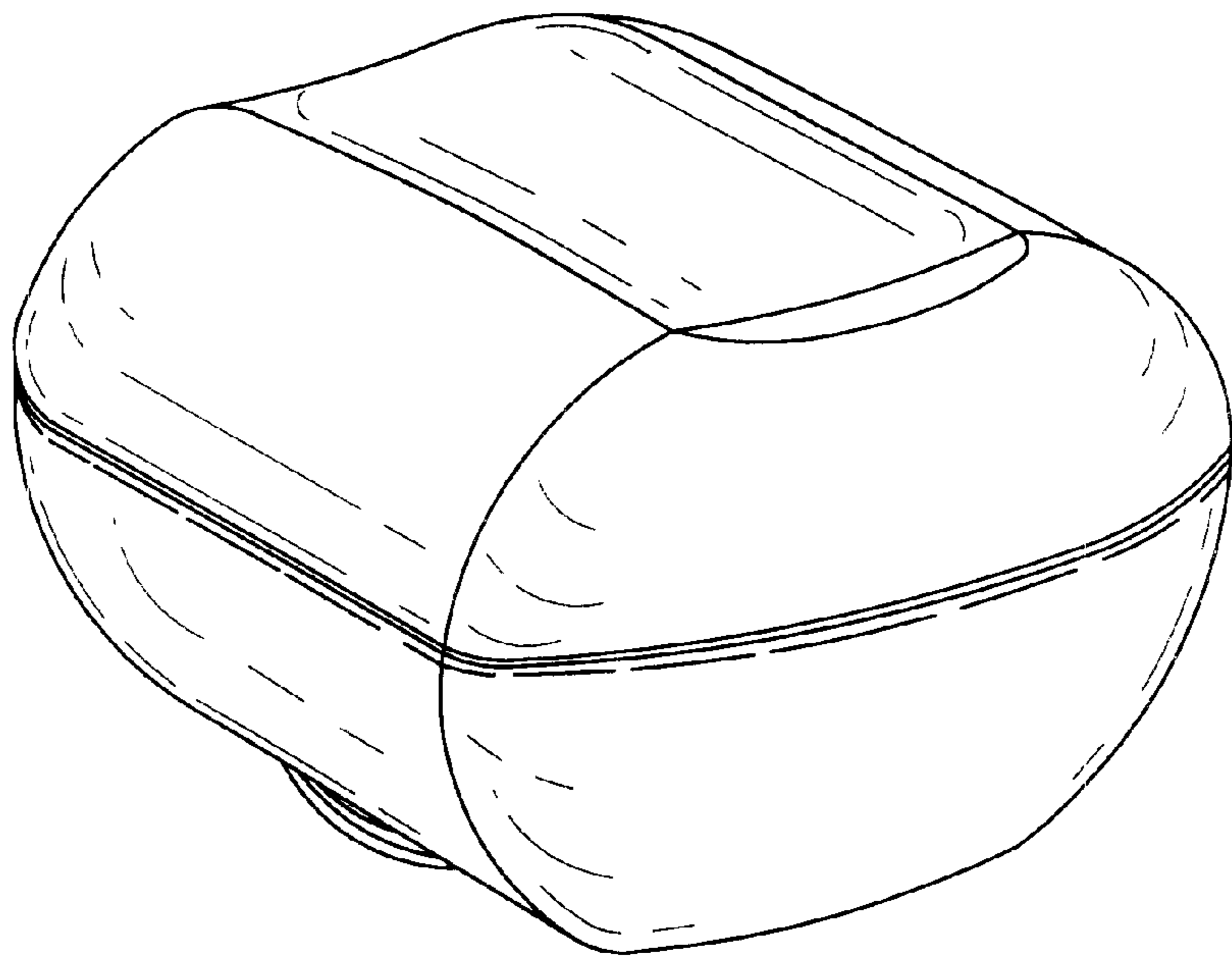


FIG. 14