



US00D460468S

(12) **United States Design Patent**
Powers et al.

(10) **Patent No.:** **US D460,468 S**

(45) **Date of Patent:** **** Jul. 16, 2002**

(54) **EYEGLOSS MOLD ASSEMBLY HOLDER**

5,972,249 A * 10/1999 Wrue et al. 264/1.1

6,007,746 A * 12/1999 Murata et al. 264/1.1

6,071,440 A * 6/2000 Wang et al. 264/1.1

(75) Inventors: **Galen R. Powers; John T. Foreman,**
both of Louisville, KY (US)

* cited by examiner

(73) Assignee: **Q2100, Inc.,** Louisville, KY (US)

(**) Term: **14 Years**

Primary Examiner—Antoine Duval Davis

(74) *Attorney, Agent, or Firm*—Eric B. Meyertons; Conley,
Rose & Tayon, P.C.

(21) Appl. No.: **29/137,420**

(22) Filed: **Feb. 20, 2001**

(57) **CLAIM**

The ornamental design for an eyeglass mold assembly holder, as shown and described.

Related U.S. Application Data

DESCRIPTION

(63) Continuation of application No. 09/539,296, filed on Mar. 30, 2000.

(51) **LOC (7) Cl.** **15-09**

FIG. 1 is a top perspective view of an eyeglass mold assembly holder;

(52) **U.S. Cl.** **D15/136**

FIG. 2 is a side view of an eyeglass mold assembly holder;

(58) **Field of Search** D15/135–137;
264/1.1, 1.34, 1.38, 102, 173; 425/143,
174.4, 808; 522/75

FIG. 3 is a front view of an eyeglass mold assembly holder;
and,

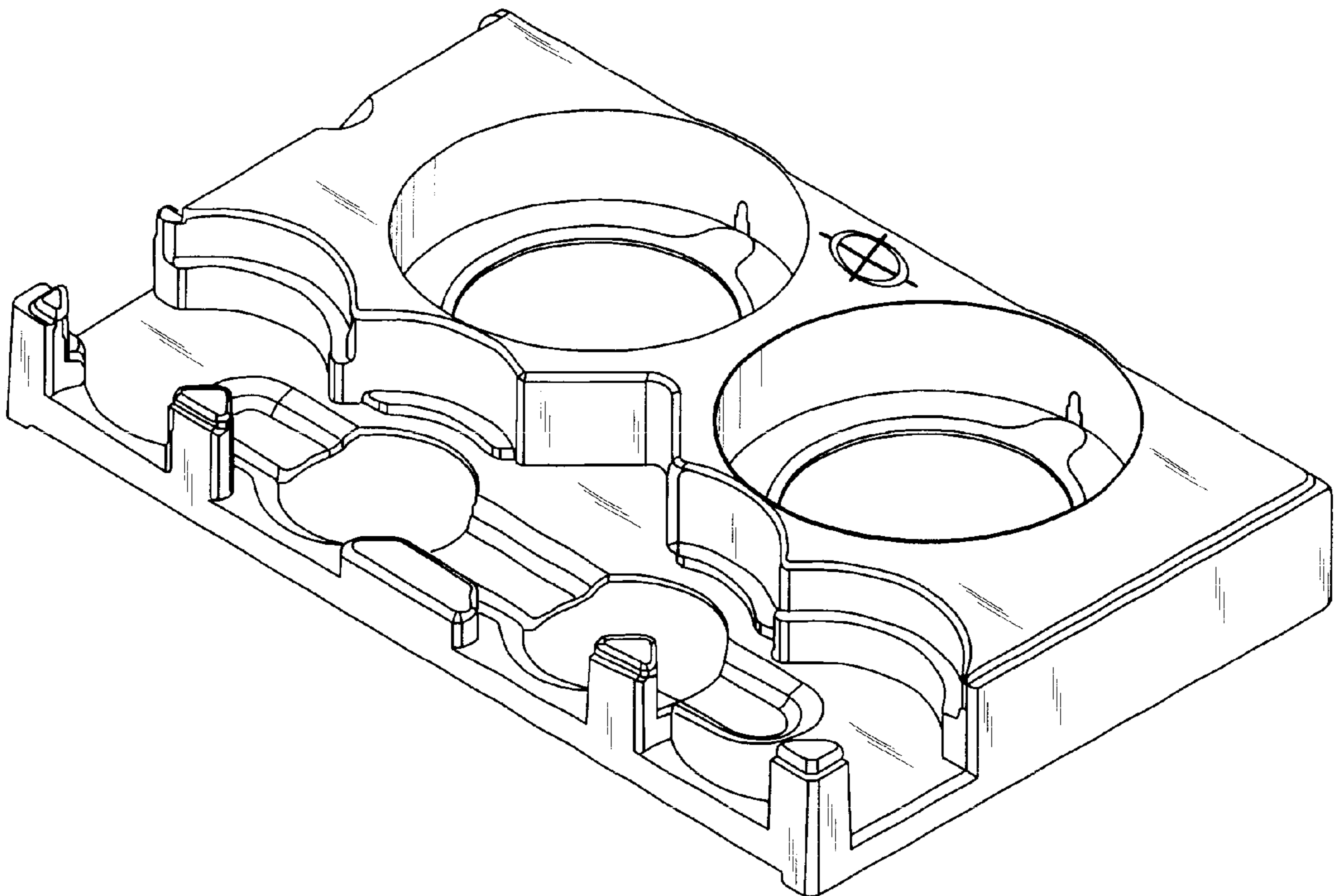
FIG. 4 is a top view of an eyeglass mold assembly holder.

(56) **References Cited**

U.S. PATENT DOCUMENTS

D281,505 S * 11/1985 Larsen et al. D15/136

1 Claim, 2 Drawing Sheets



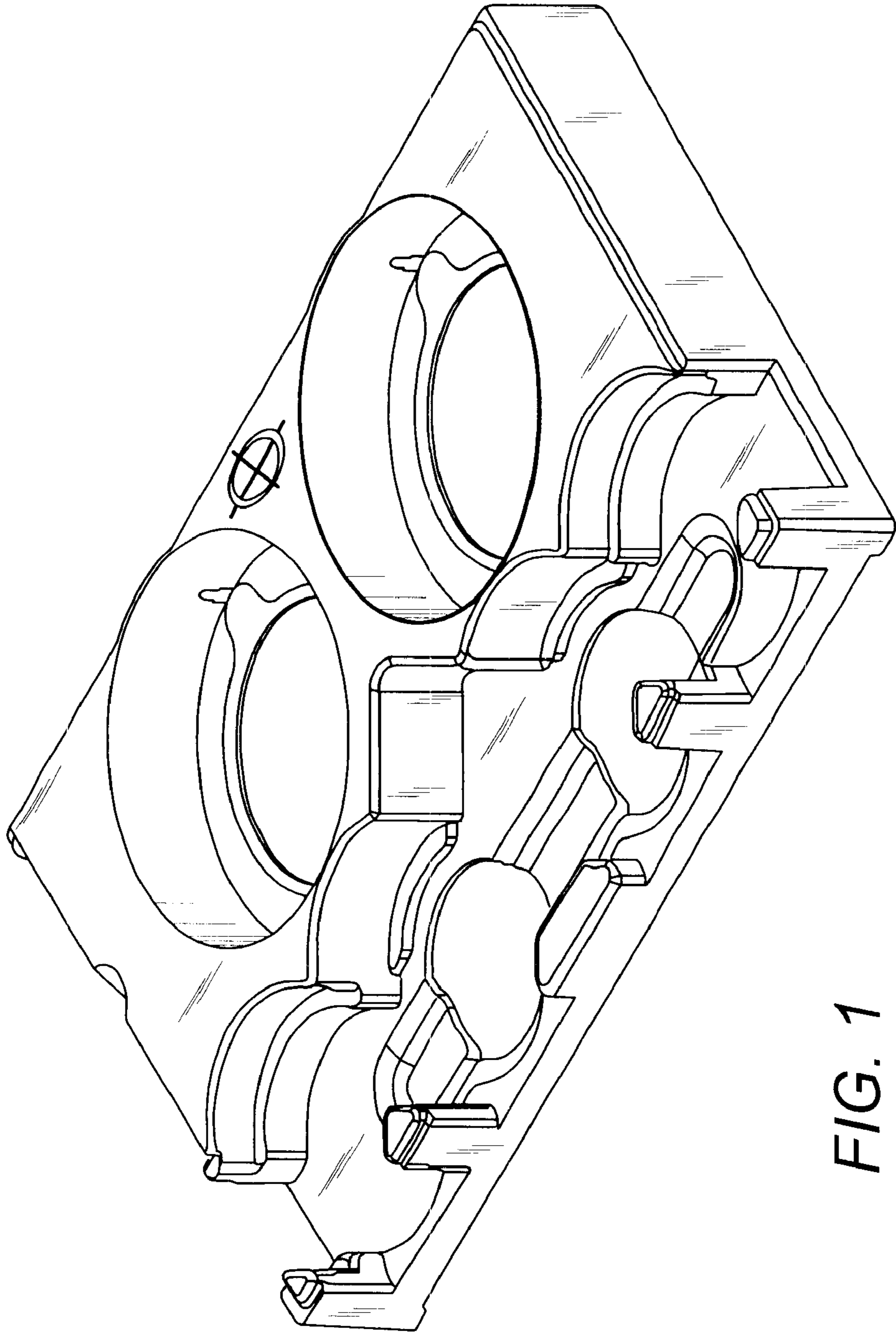


FIG. 1

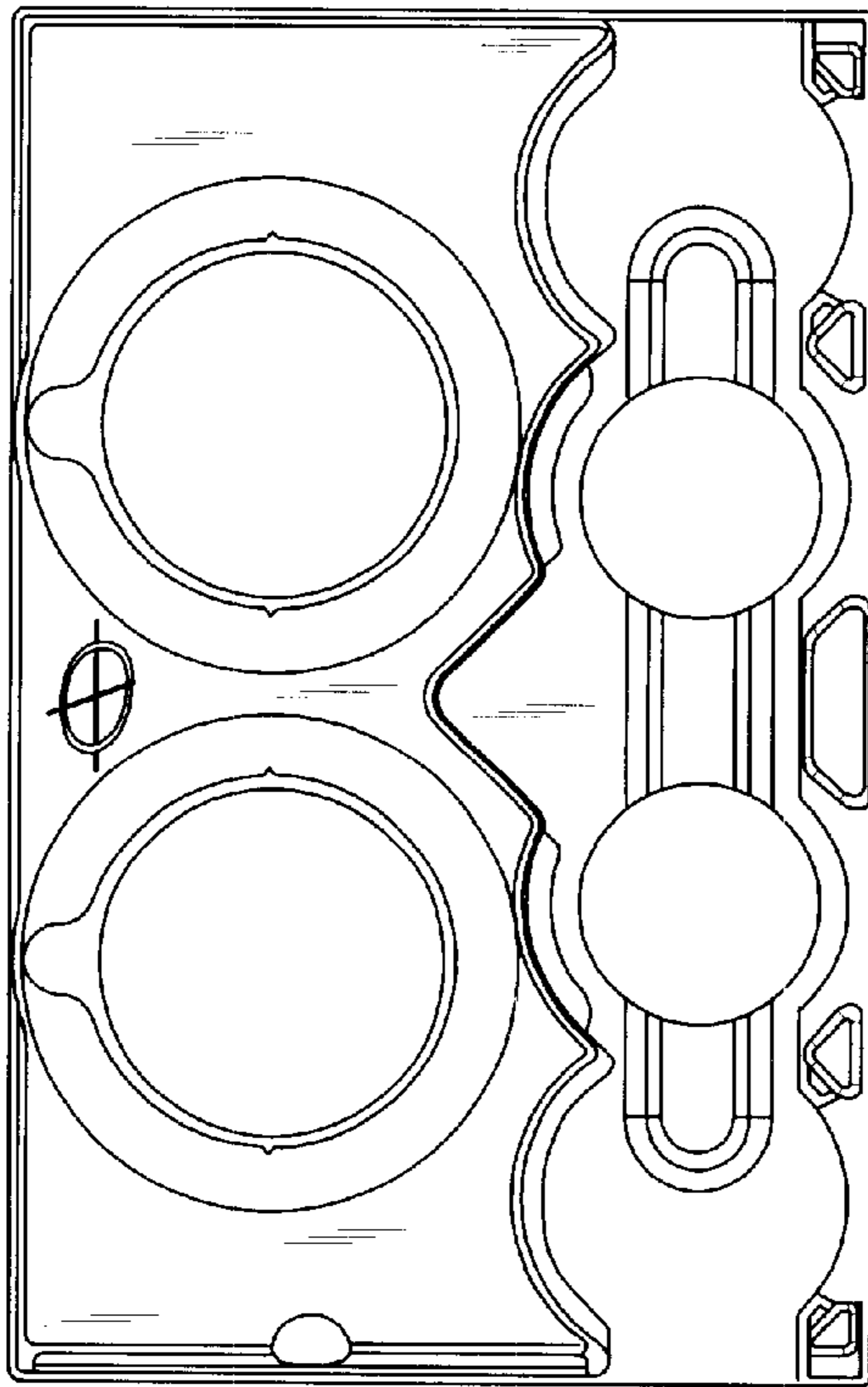


FIG. 4

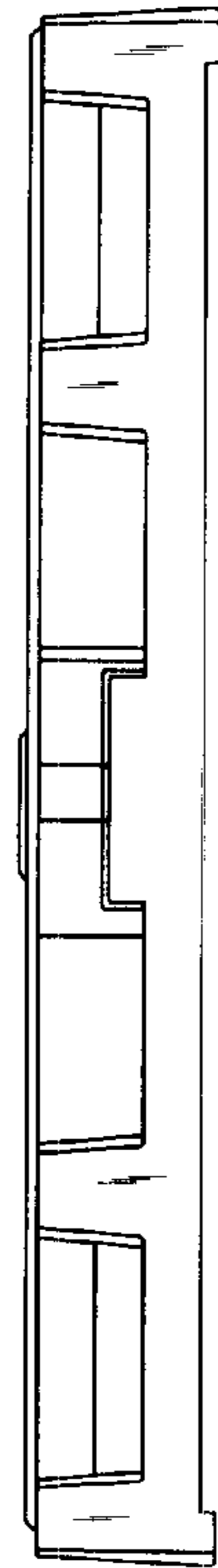


FIG. 3

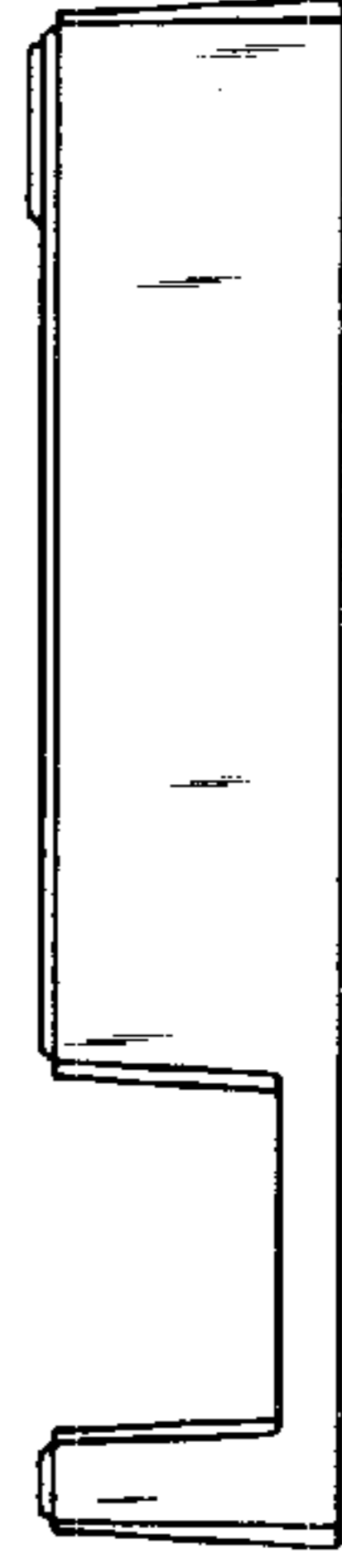


FIG. 2