



US00D460467S

(12) **United States Design Patent**
Gross

(10) **Patent No.:** **US D460,467 S**

(45) **Date of Patent:** **** Jul. 16, 2002**

(54) **PREFORM MOLD STRIPPER PLATE**

6,314,000 B1 * 11/2001 Johnson 361/816
6,322,740 B1 * 11/2001 Hanson et al. 264/275

(75) Inventor: **Kevin F. Gross**, Bolton (CA)

* cited by examiner

(73) Assignee: **Husky Injection Molding Systems, Ltd.** (CA)

Primary Examiner—Antoine Duval Davis
(74) *Attorney, Agent, or Firm*—Katten Muchin Zavis
Rosenman

(**) Term: **14 Years**

(57) **CLAIM**

(21) Appl. No.: **29/149,924**

The ornamental design for a preform mold stripper plate, as shown and described.

(22) Filed: **Oct. 23, 2001**

DESCRIPTION

(51) **LOC (7) Cl.** **15-09**

(52) **U.S. Cl.** **D15/135**

(58) **Field of Search** D15/135-137;
425/DIG. 240, DIG. 119, DIG. 118, DIG. 117,
DIG. 38

FIG. 1 is a front view of the preform mold stripper plate;
FIG. 2 is a bottom view thereof;
FIG. 3 is a side view thereof;
FIG. 4 is a top view thereof;
FIG. 5 is a side view thereof;
FIG. 6 is a back view thereof;
FIG. 7 is a front isometric view thereof; and,
FIG. 8 is a back isometric view thereof.

(56) **References Cited**

U.S. PATENT DOCUMENTS

D281,505 S * 11/1985 Larsen et al. D15/136
5,067,891 A * 11/1991 Julian et al. 425/533

1 Claim, 4 Drawing Sheets

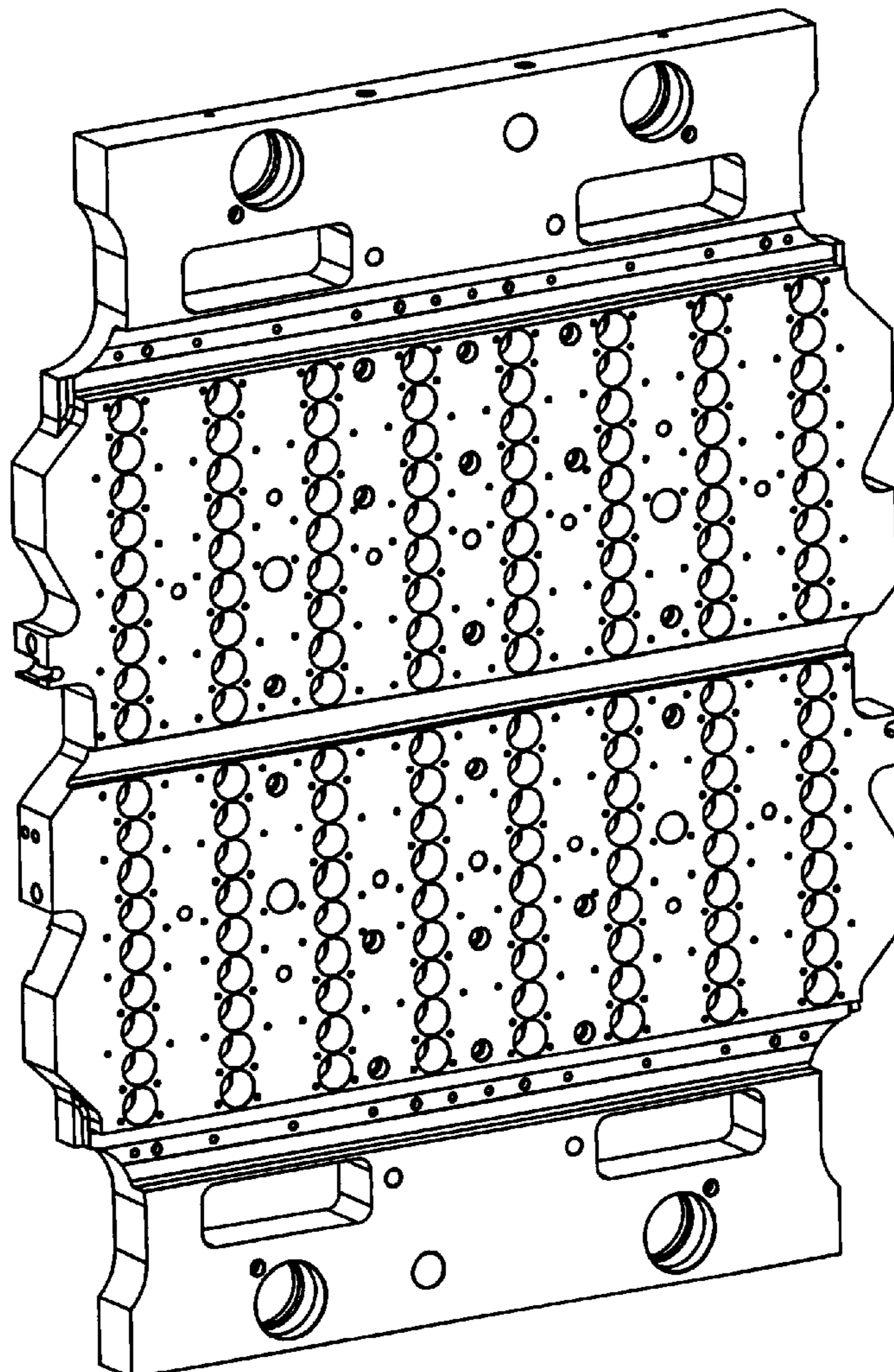




FIG. 4



FIG. 3

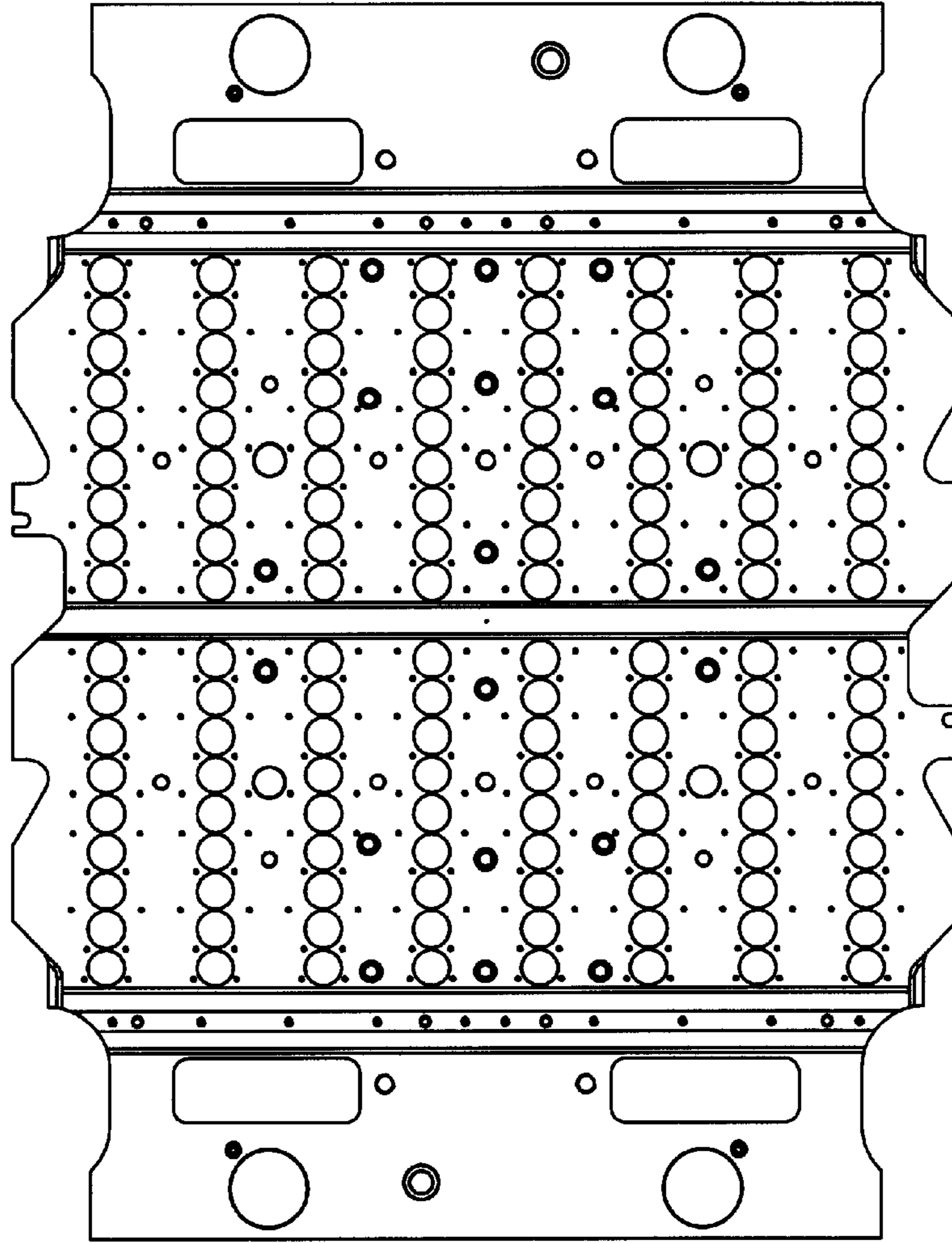


FIG. 1

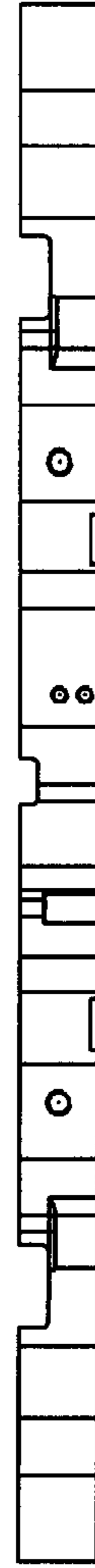


FIG. 5



FIG. 2

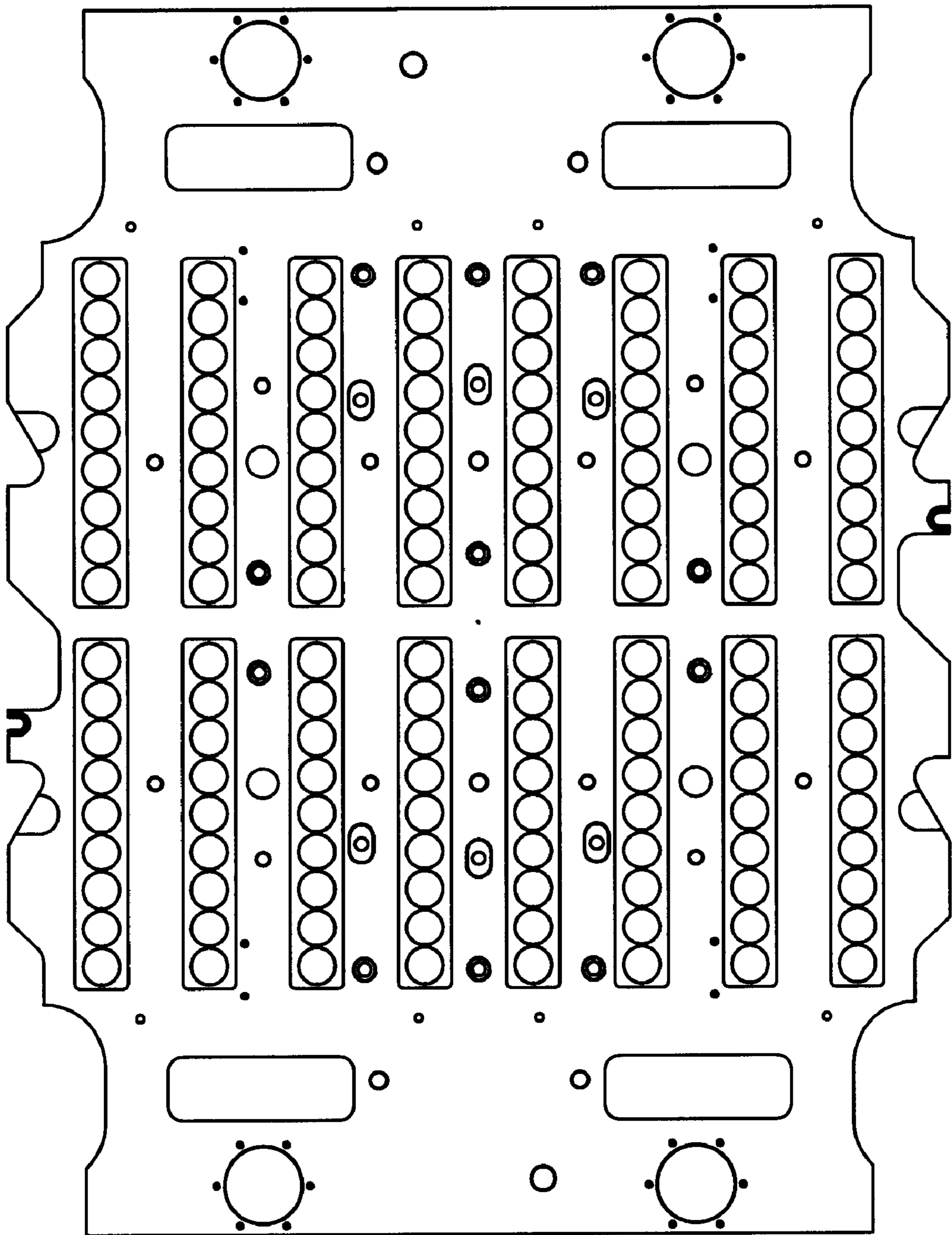


FIG. 6

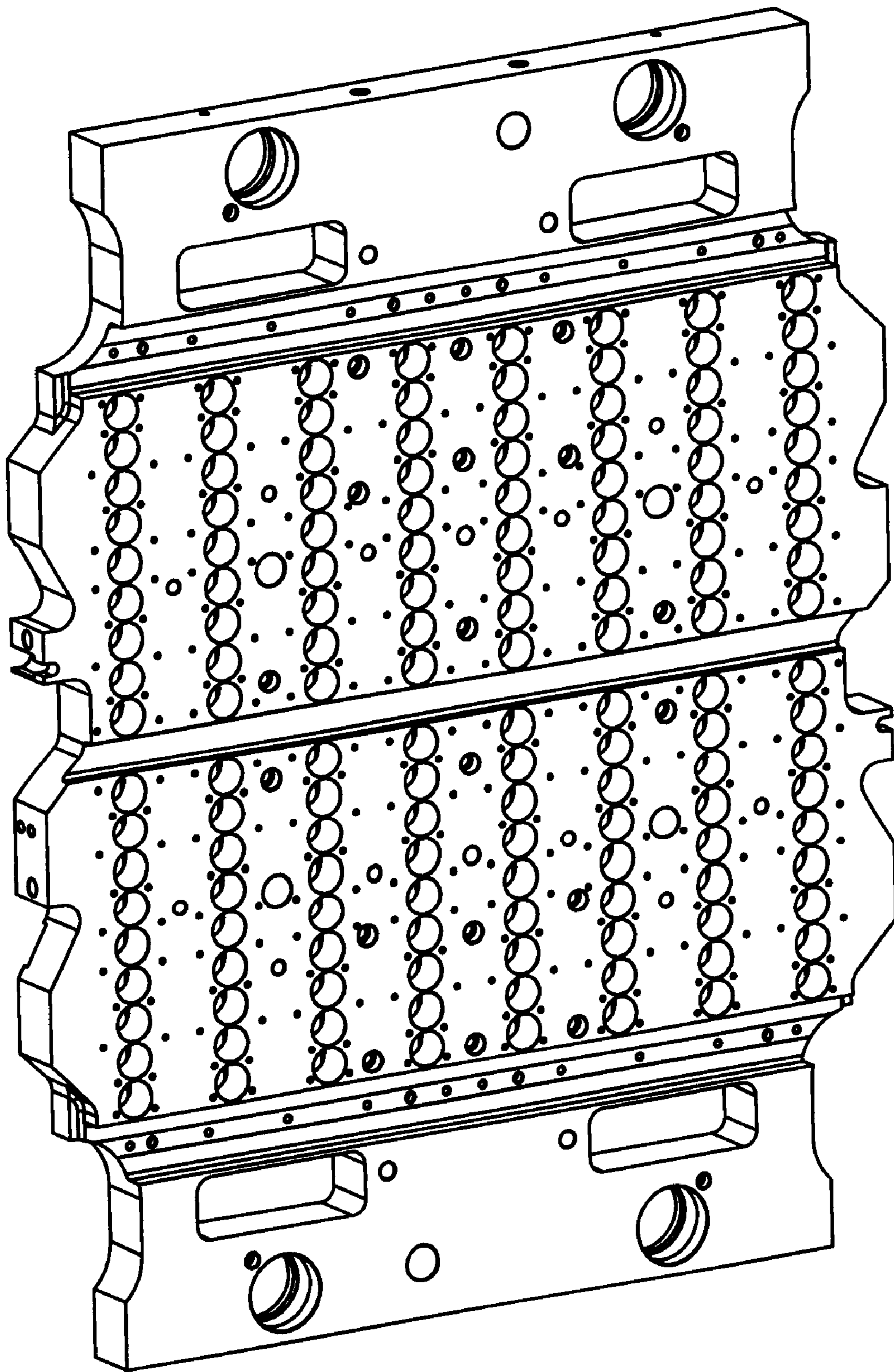


FIG. 7

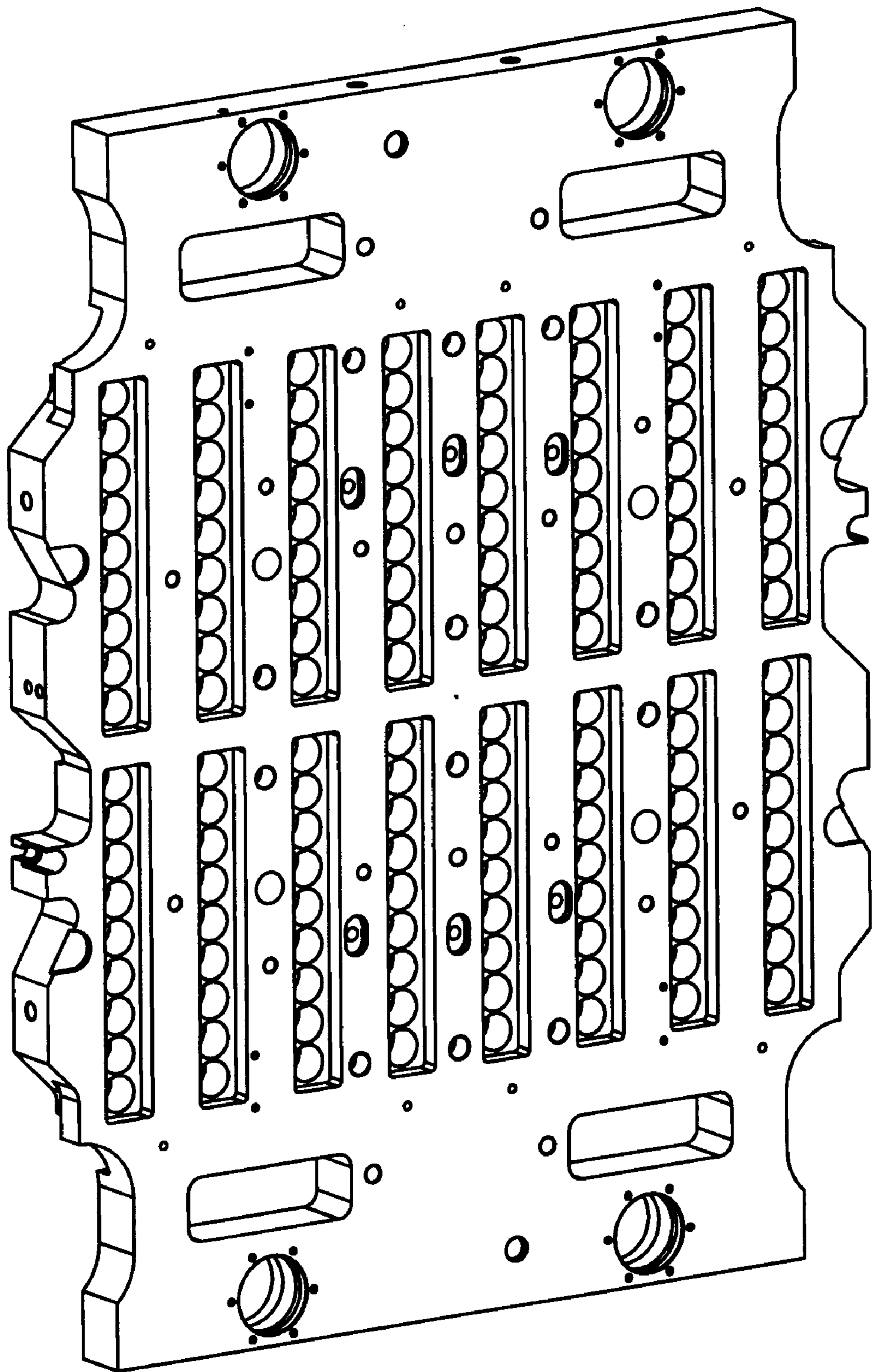


FIG. 8