



US00D460463S

(12) **United States Design Patent**  
**Kubo et al.**

(10) **Patent No.:** **US D460,463 S**

(45) **Date of Patent:** **\*\* Jul. 16, 2002**

(54) **WORKING VEHICLE FOR AGRICULTURE**

D355,919 S \* 2/1995 Larson et al. .... D15/13

(75) Inventors: **Akihiro Kubo; Susumu Yamamoto;**  
**Toshiaki Kasahara, all of Osaka (JP)**

\* cited by examiner

(73) Assignee: **Yanmar Agricultural Equipment**  
**Company, Ltd., Osaka (JP)**

*Primary Examiner*—Mitchell Siegel

(74) *Attorney, Agent, or Firm*—Sterne, Kessler, Goldstein  
and Fox P.L.L.C.

(\*\*) Term: **14 Years**

(57) **CLAIM**

(21) Appl. No.: **29/142,787**

The ornamental design for working vehicle for agriculture,  
as shown and described.

(22) Filed: **Jun. 4, 2001**

**DESCRIPTION**

(51) **LOC (7) Cl.** ..... **15-03**

(52) **U.S. Cl.** ..... **D15/26**

(58) **Field of Search** ..... D15/10, 13, 22,  
D15/23, 26; 180/89.1; 239/146, 172, 656,  
655, 662, 675

FIG. 1 is a perspective view of a vehicle showing our new  
design;

FIG. 2 is a left side view thereof;

FIG. 3 is a right side view thereof;

FIG. 4 is a top plan view thereof;

FIG. 5 is a bottom view thereof;

FIG. 6 is a front view thereof;

FIG. 7 is a rear view thereof; and,

FIG. 8 is a front view of the vehicle with the booms opened.

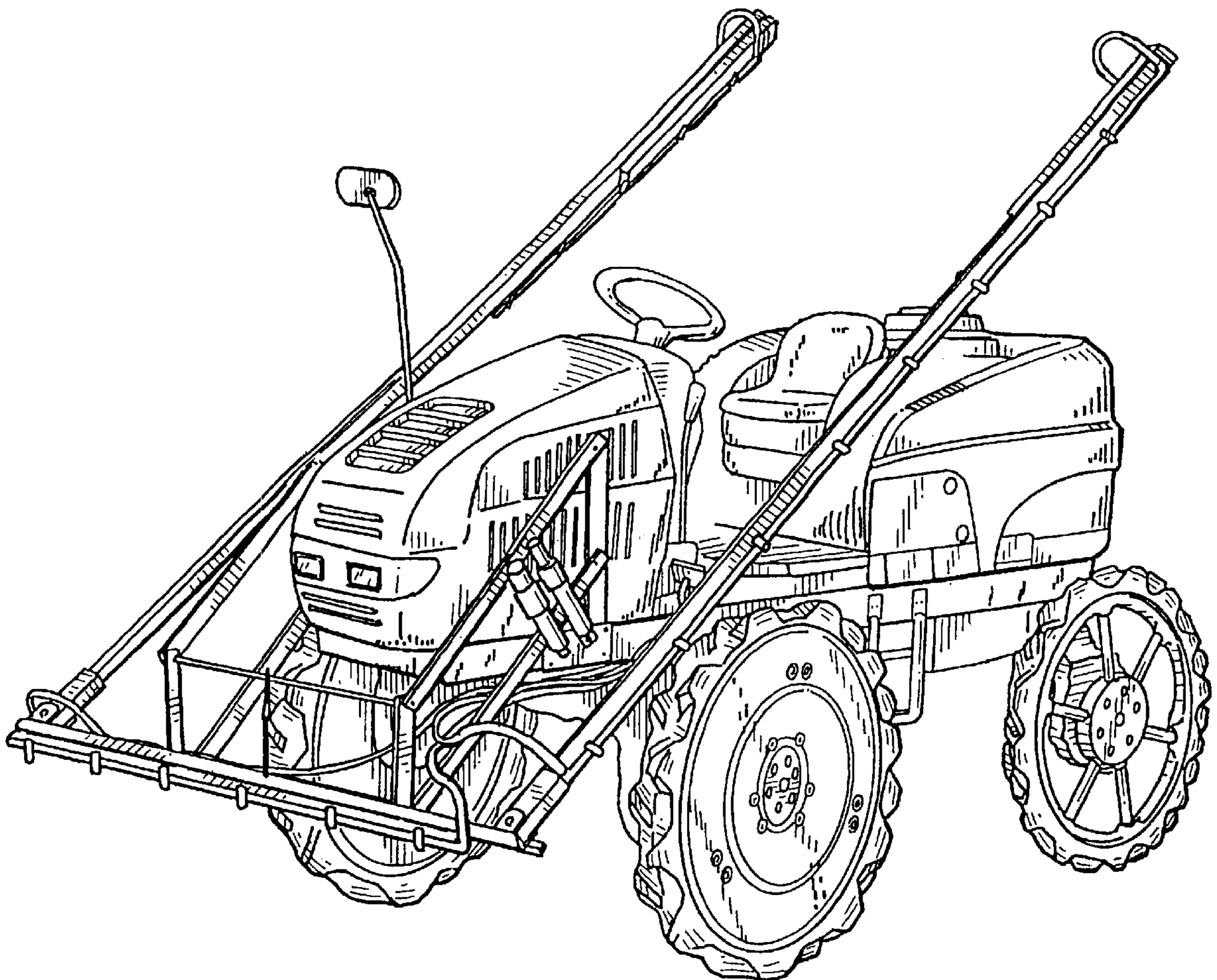
(56) **References Cited**

**U.S. PATENT DOCUMENTS**

5,242,120 A \* 9/1993 Barber et al. .... 239/656

D351,843 S \* 10/1994 Larson et al. .... D15/13

**1 Claim, 8 Drawing Sheets**



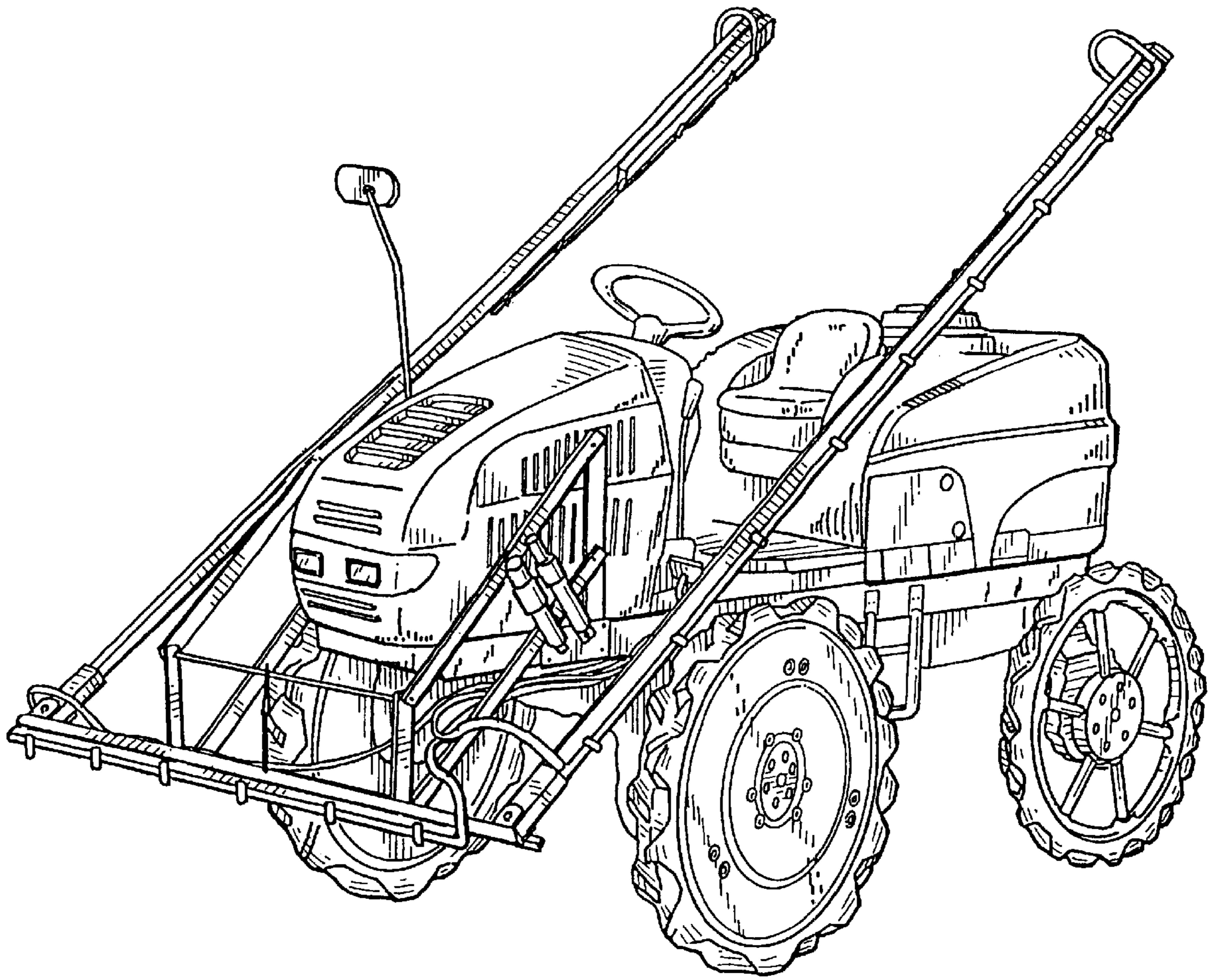
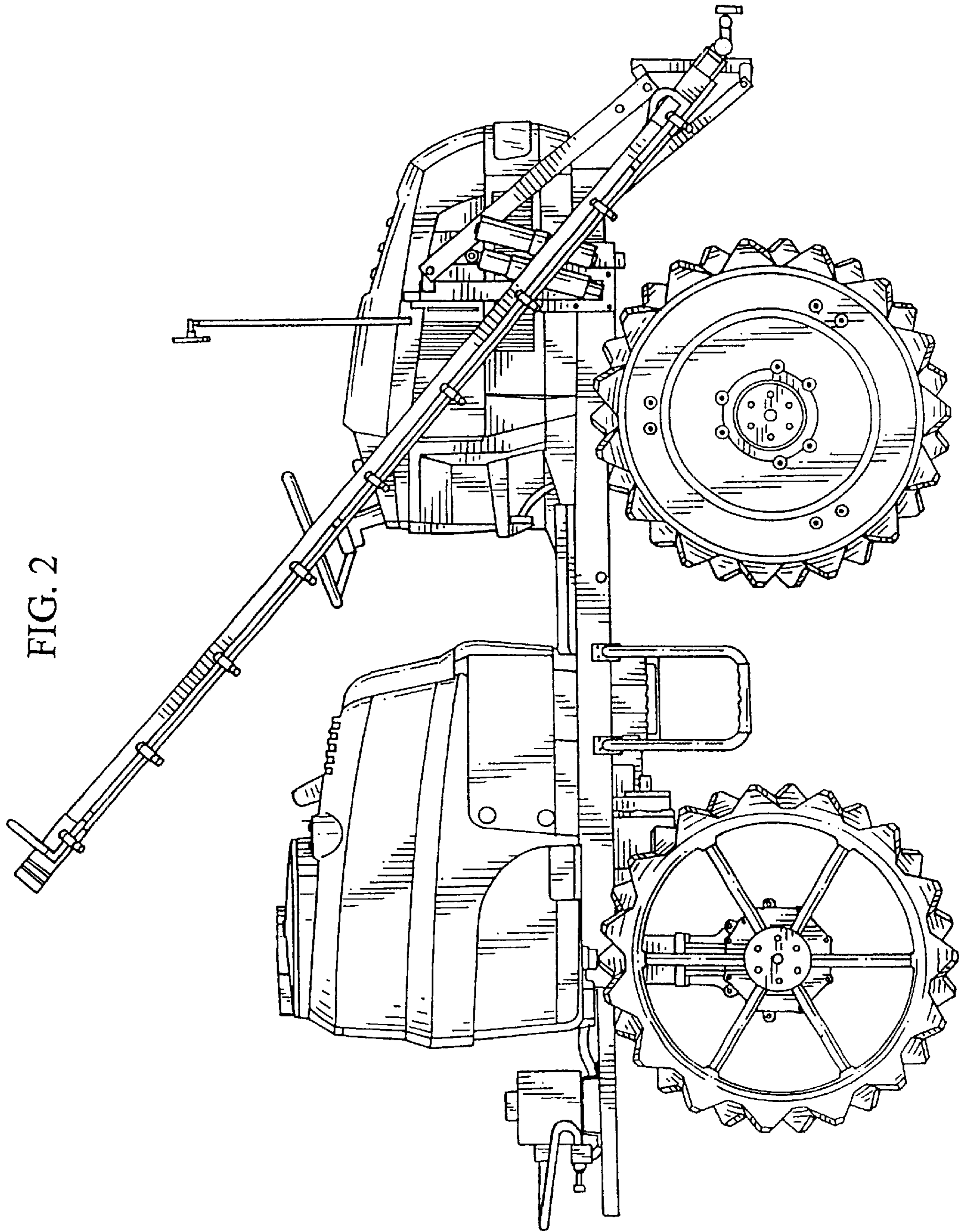


FIG. 1



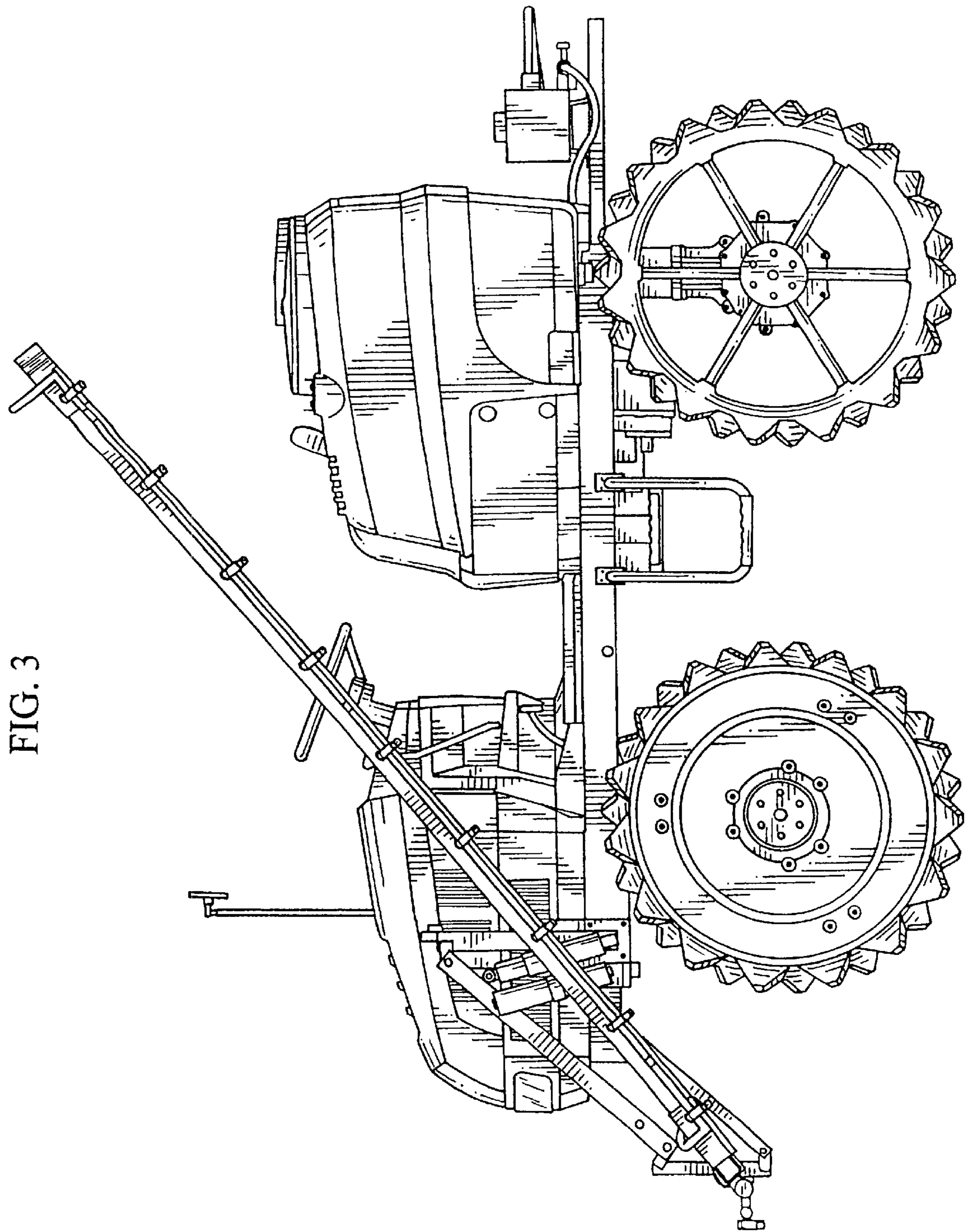
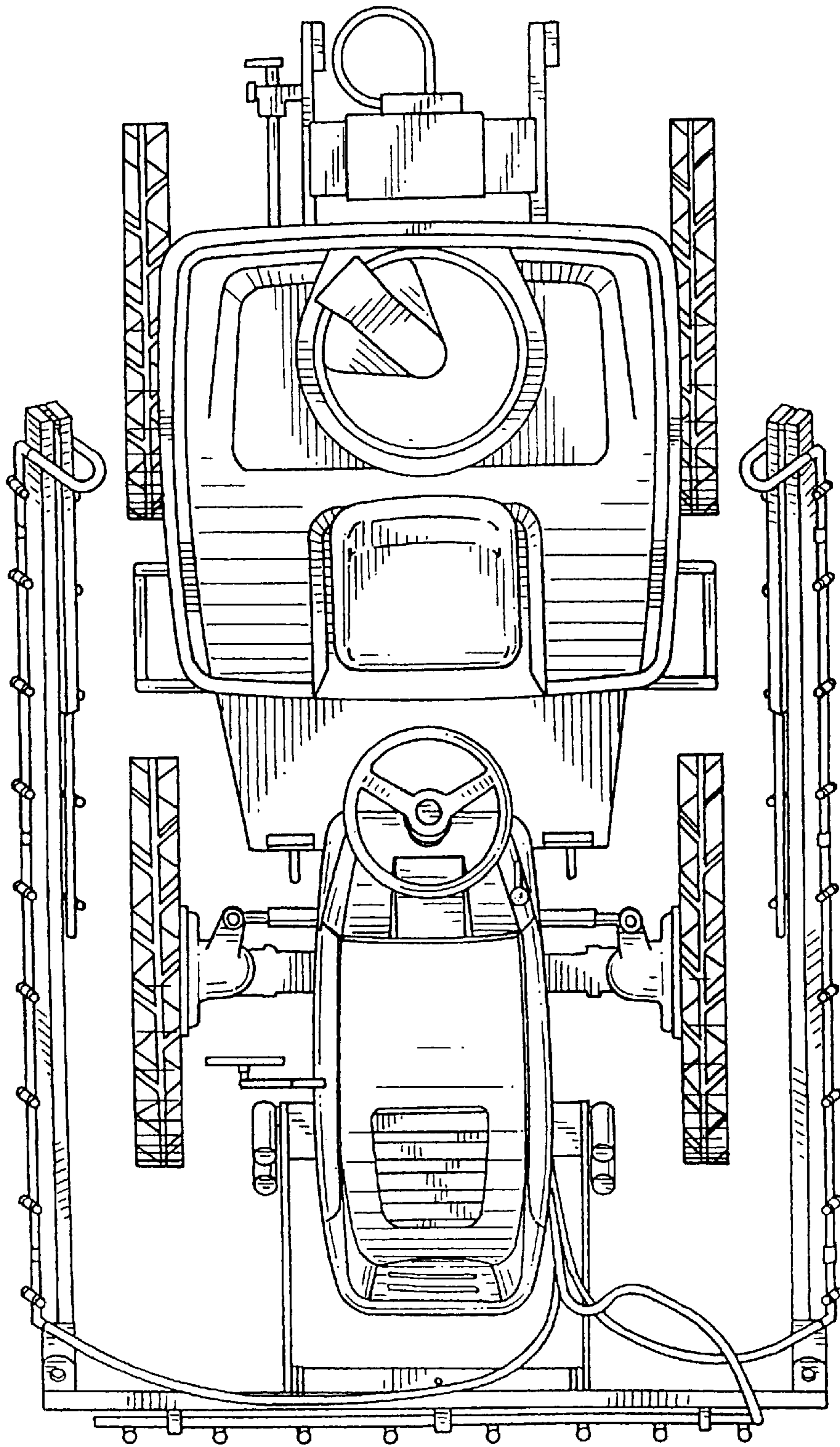


FIG. 3

FIG. 4



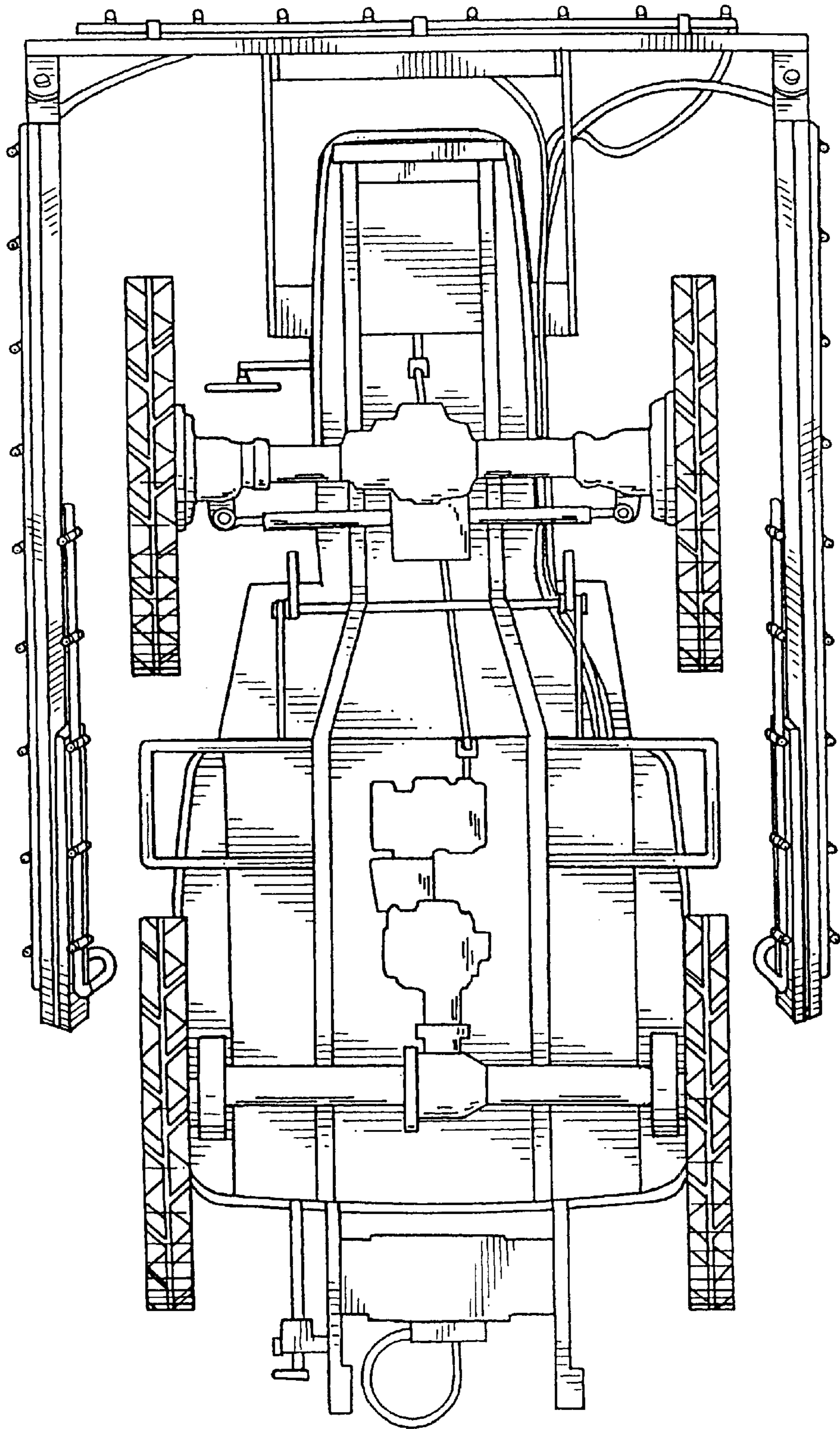


FIG. 5

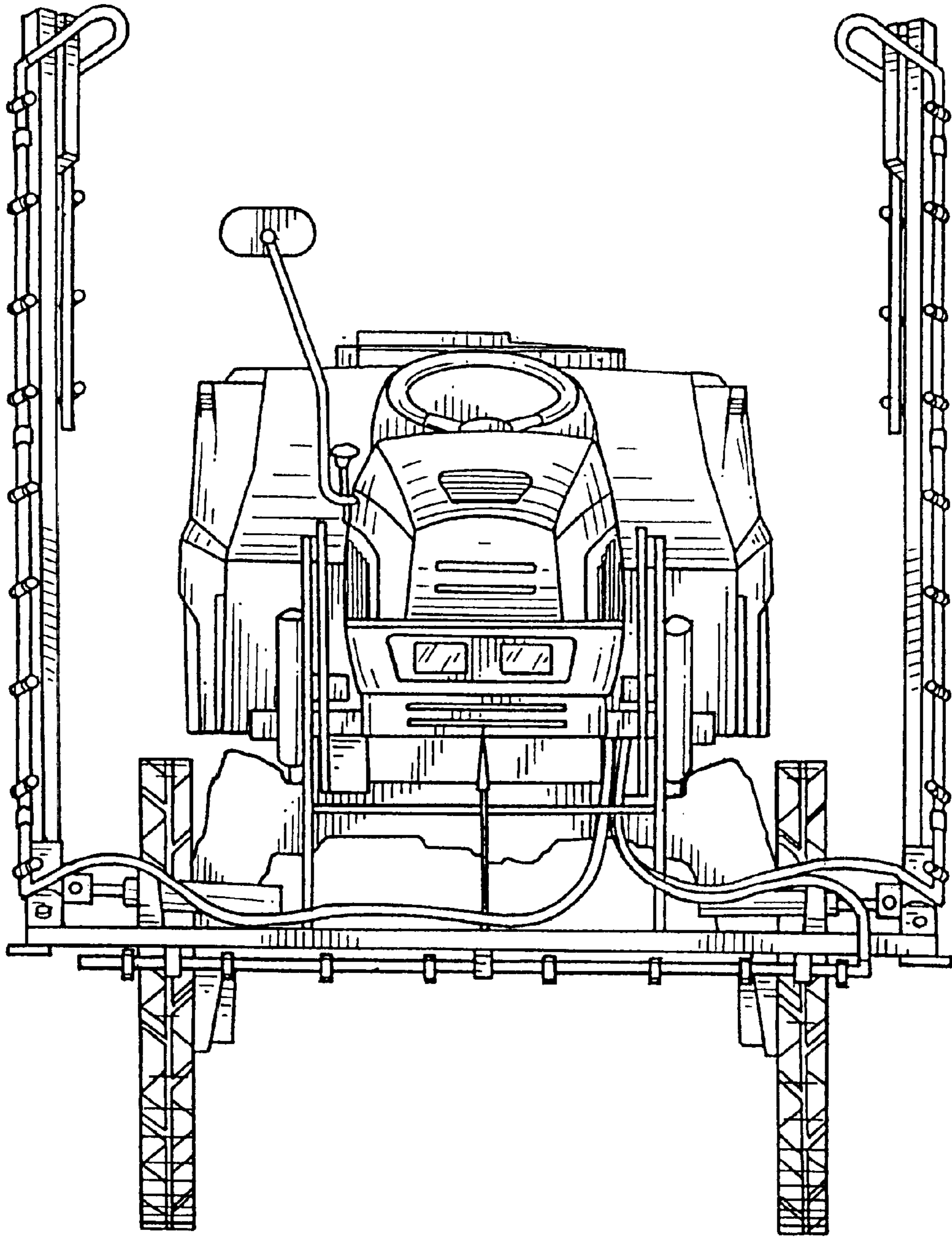


FIG. 6

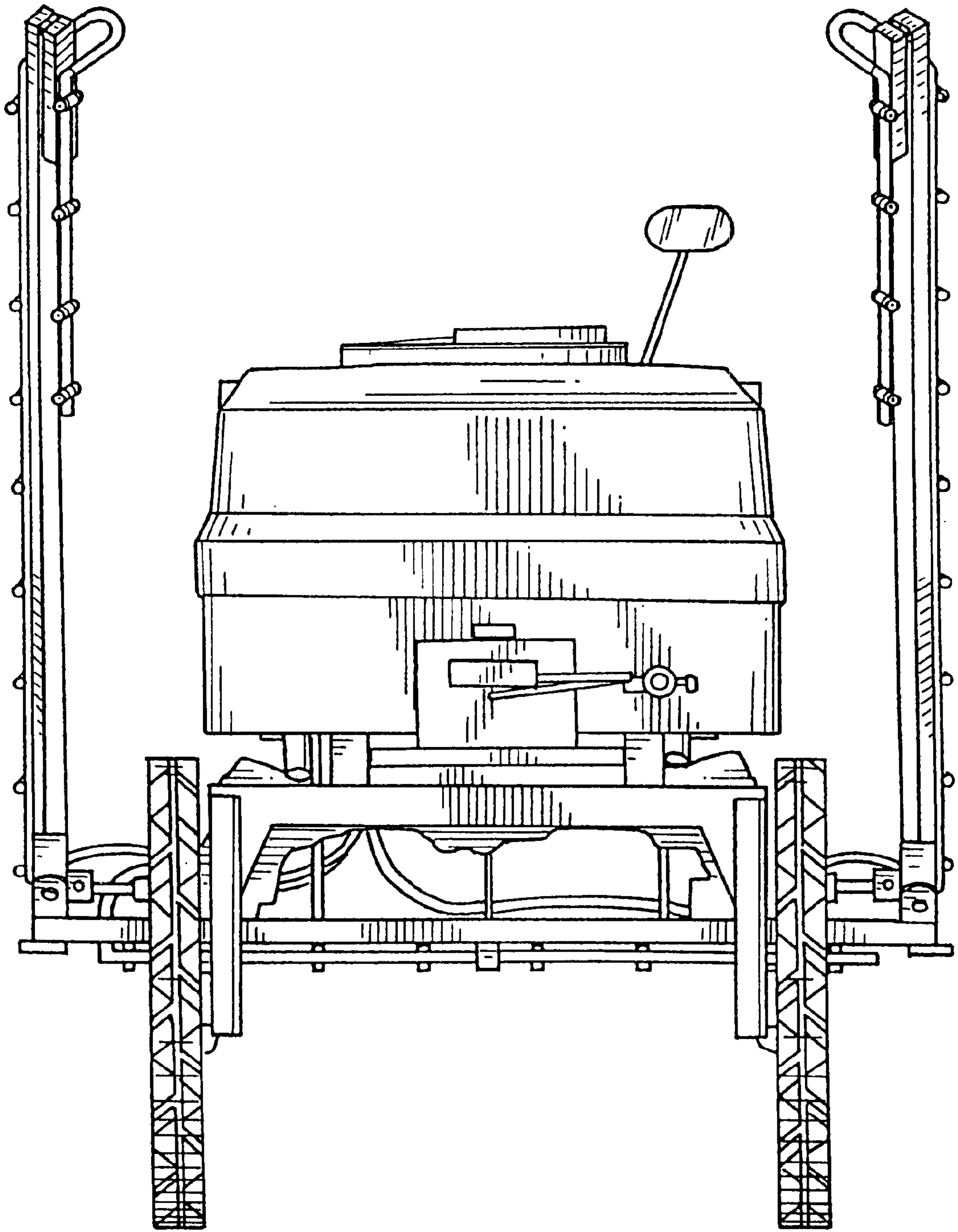


FIG. 7



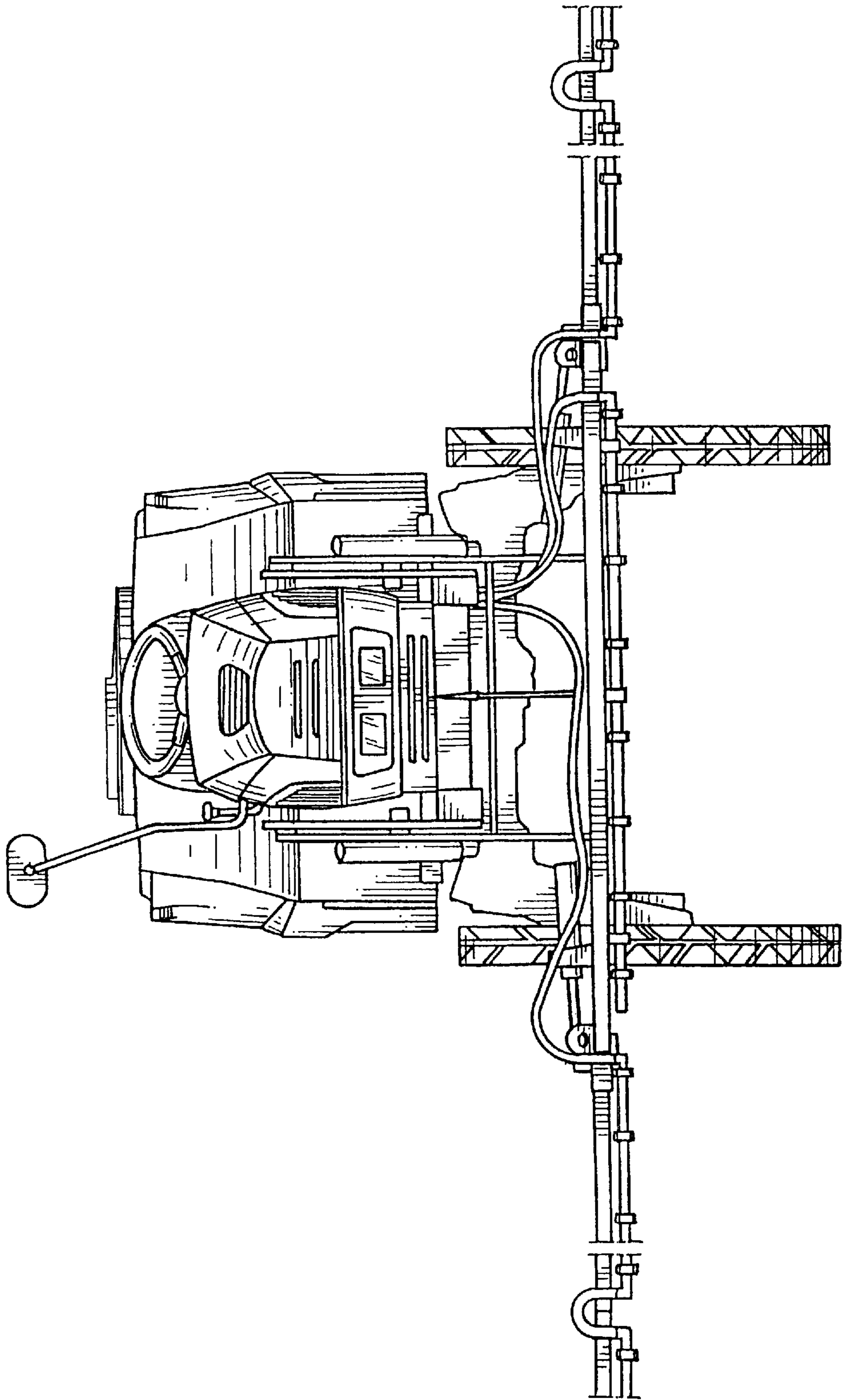


FIG. 8