



US00D460462S

(12) **United States Design Patent**
Miyanishi et al.

(10) **Patent No.:** **US D460,462 S**

(45) **Date of Patent:** **** Jul. 16, 2002**

(54) **BACKHOE**

D431,253 S * 9/2000 Marchetta et al. D15/25
D432,145 S * 10/2000 Kraft et al. D15/25
D450,717 S * 11/2001 Muraro D15/25

(75) Inventors: **Masami Miyanishi; Takuzou Kawamura; Hiroaki Ayabe**, all of Osaka; **Masao Nagata**, Okayama, all of (JP)

* cited by examiner

(73) Assignees: **Yanmar Diesel Engine Co., Ltd.**, Osaka; **Seirei Industry Co., Ltd.**, Okayama-Ken, both of (JP)

Primary Examiner—Mitchell Siegel
(74) *Attorney, Agent, or Firm*—Nilles & Nilles SC

(**) Term: **14 Years**

(57) **CLAIM**

The ornamental design for a backhoe, as shown and described.

(21) Appl. No.: **29/134,822**

(22) Filed: **Dec. 28, 2000**

DESCRIPTION

(30) **Foreign Application Priority Data**

Jul. 4, 2000 (JP) 2000-018228
Jul. 4, 2000 (JP) 2000-018242

FIG. 1 is a front view showing a backhoe according to the present invention;

(51) **LOC (7) Cl.** **12-09**

(52) **U.S. Cl.** **D15/25**

(58) **Field of Search** D15/22-26; 414/694, 414/698, 699, 722-724; 180/89.1, 89.12, 900

FIG. 2 is a rear view showing the backhoe of FIG. 1;

FIG. 3 is a plan view showing the backhoe of FIG. 1;

FIG. 4 is a left view showing the backhoe of FIG. 1;

FIG. 5 is a right view showing the backhoe of FIG. 1; and,

FIG. 6 is a perspective view showing the backhoe of FIG. 1

(56) **References Cited**

U.S. PATENT DOCUMENTS

D409,629 S * 5/1999 Miyaoka et al. D15/25

1 Claim, 4 Drawing Sheets

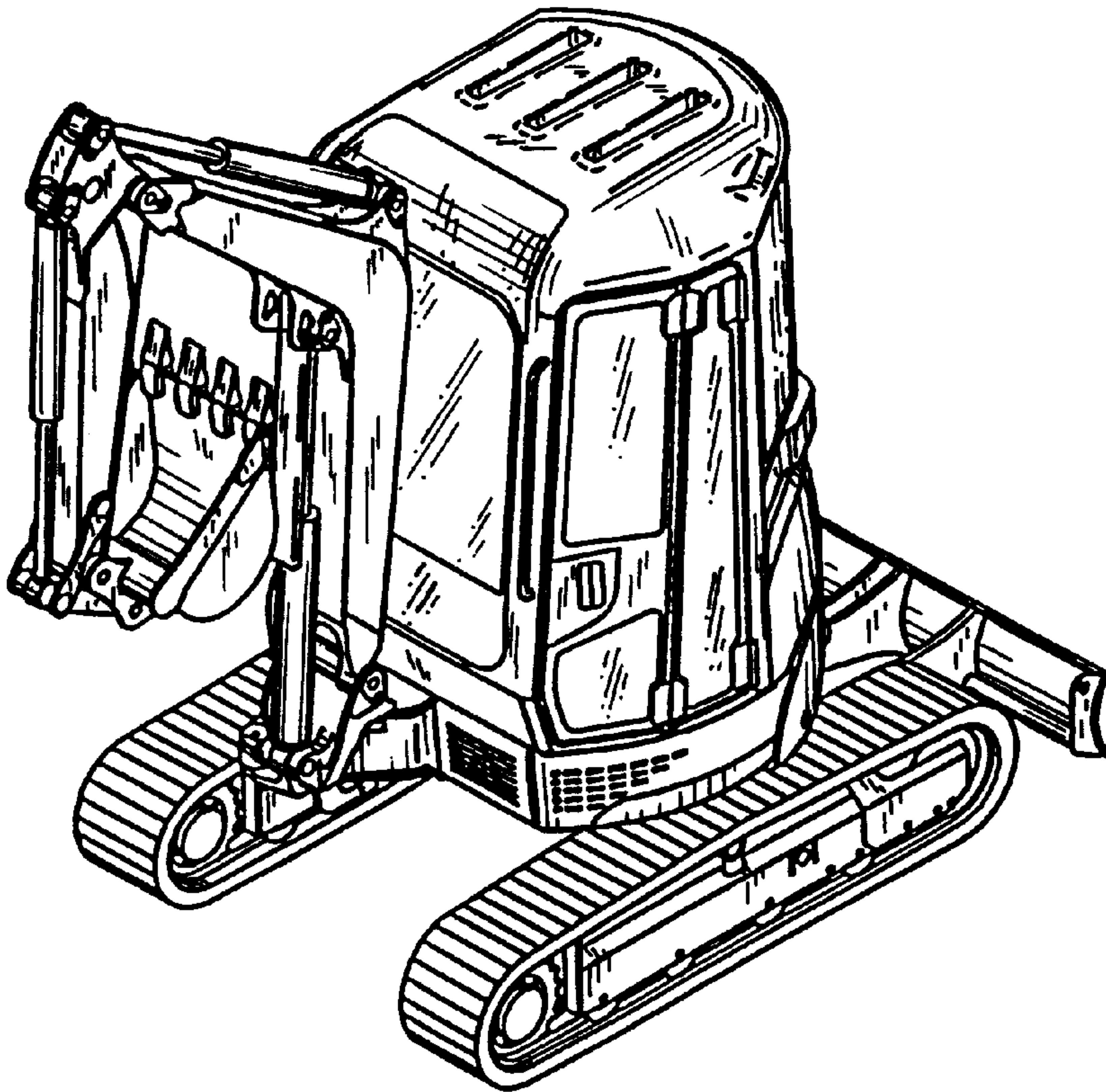


Fig. 1

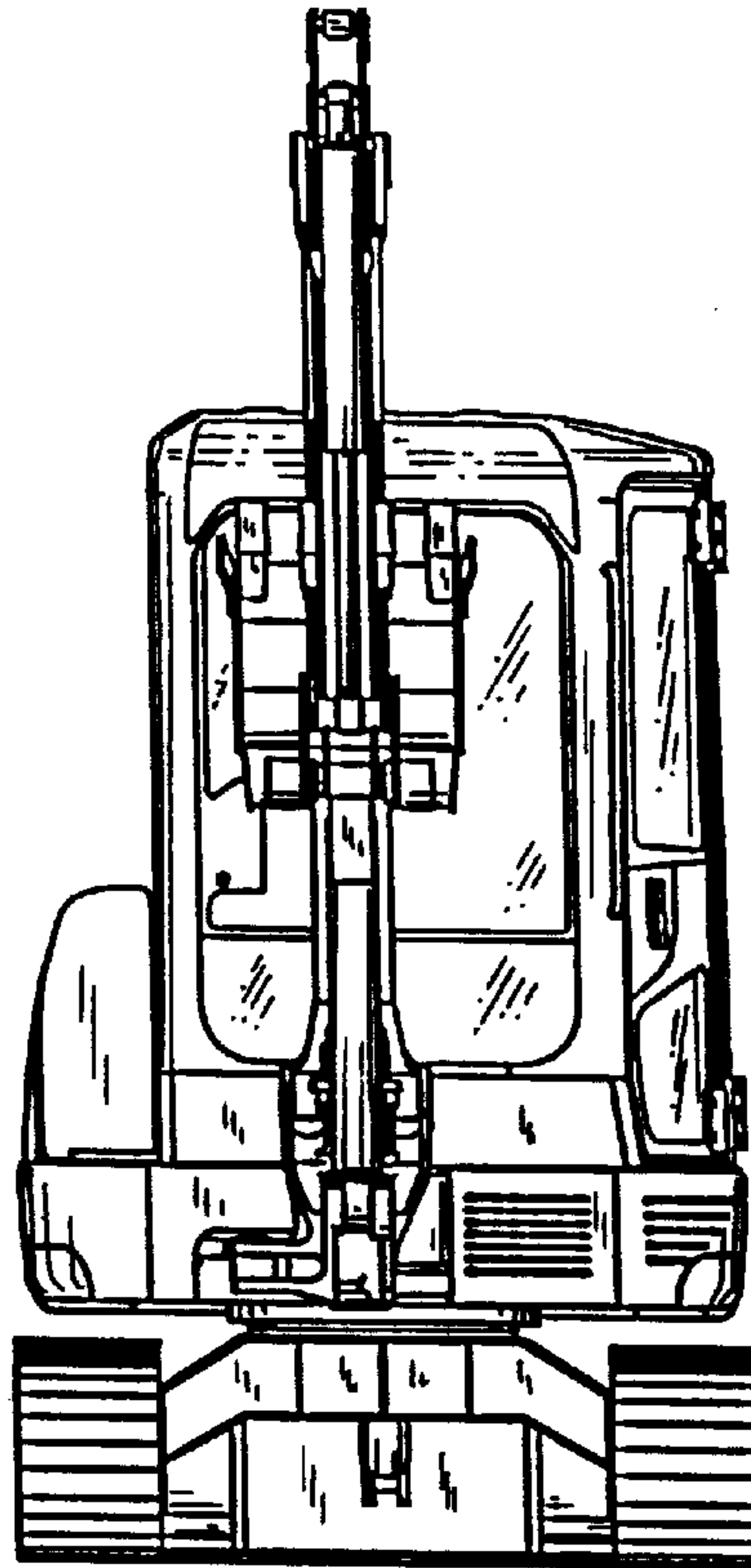


Fig. 2

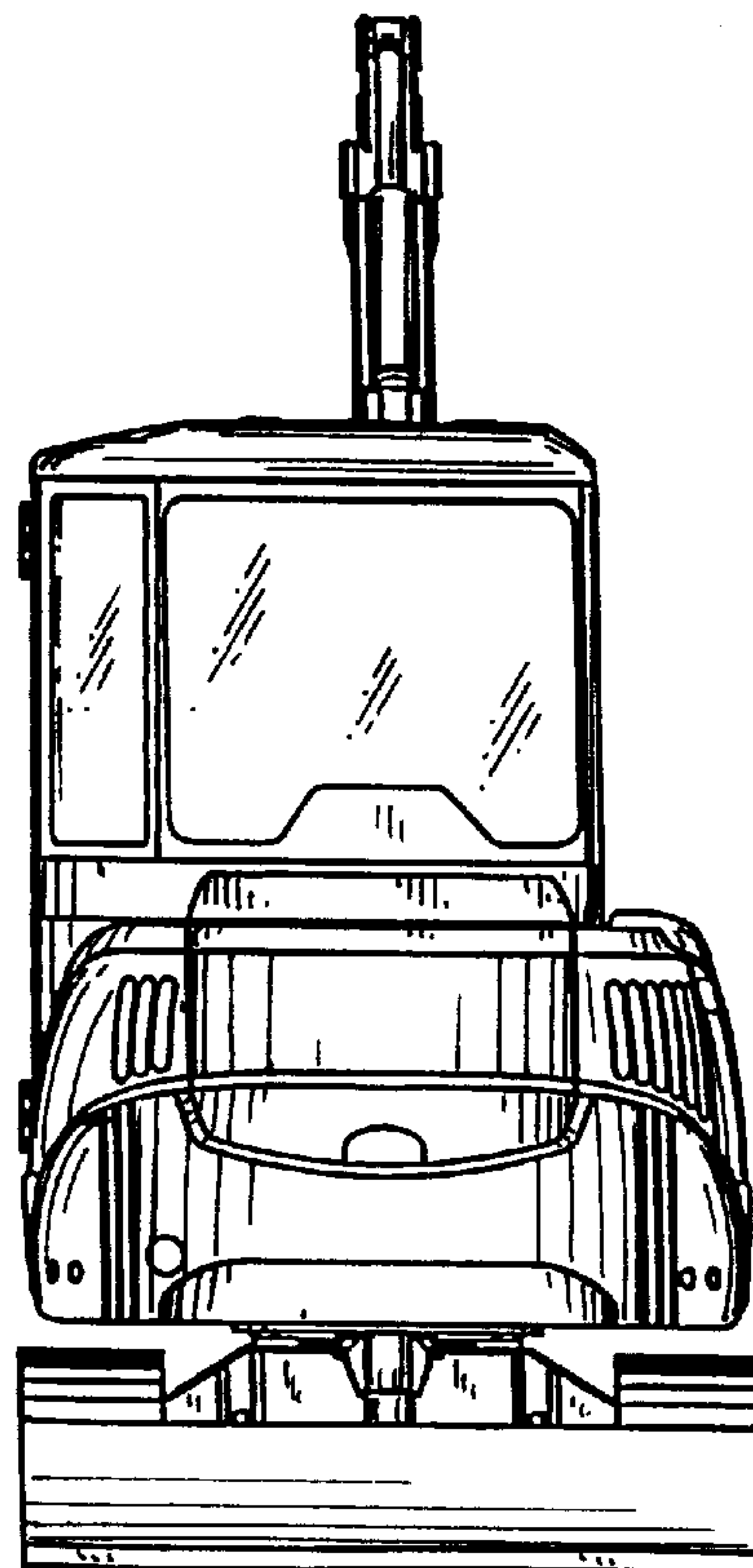


Fig. 3

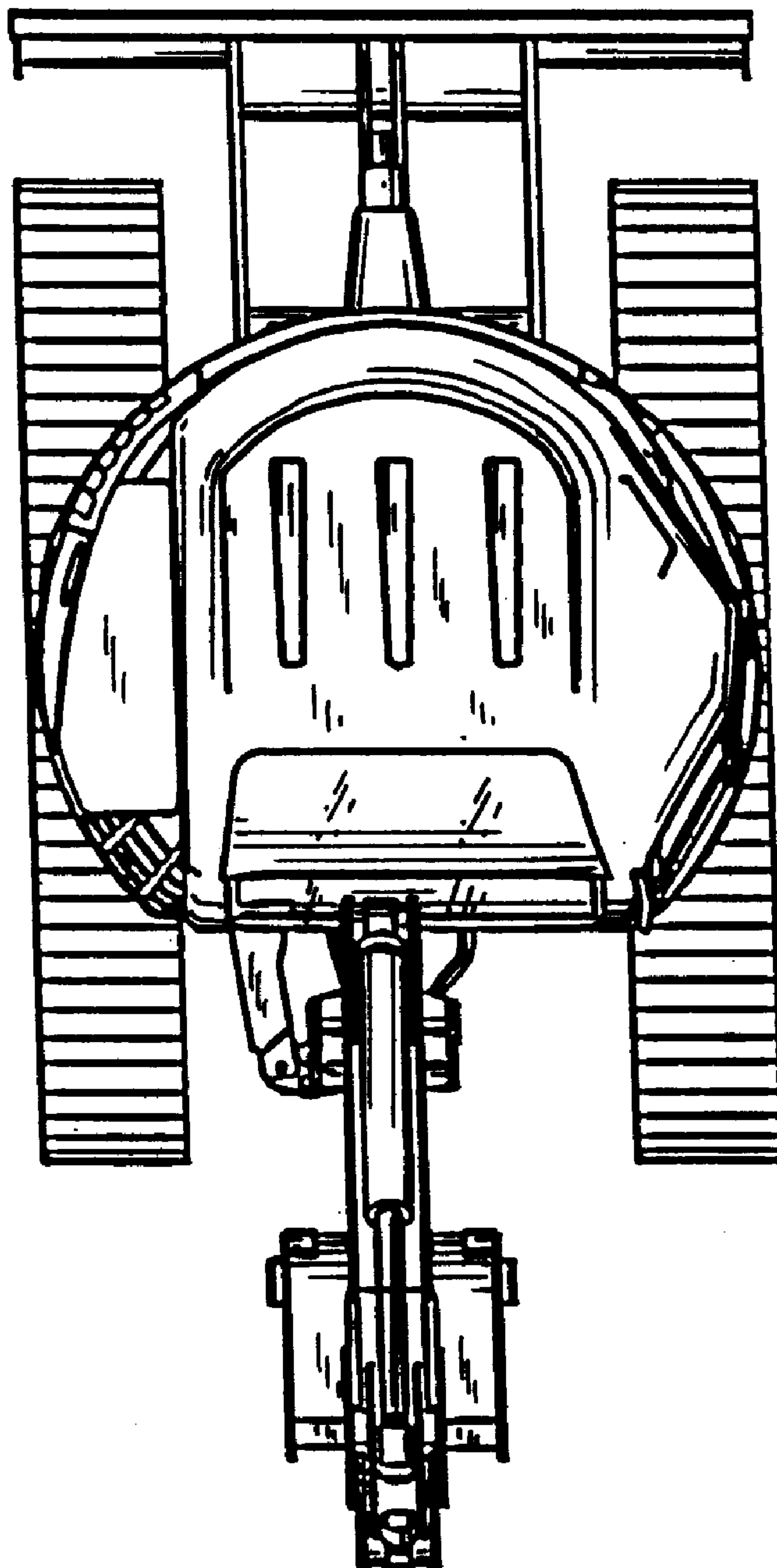


Fig. 4

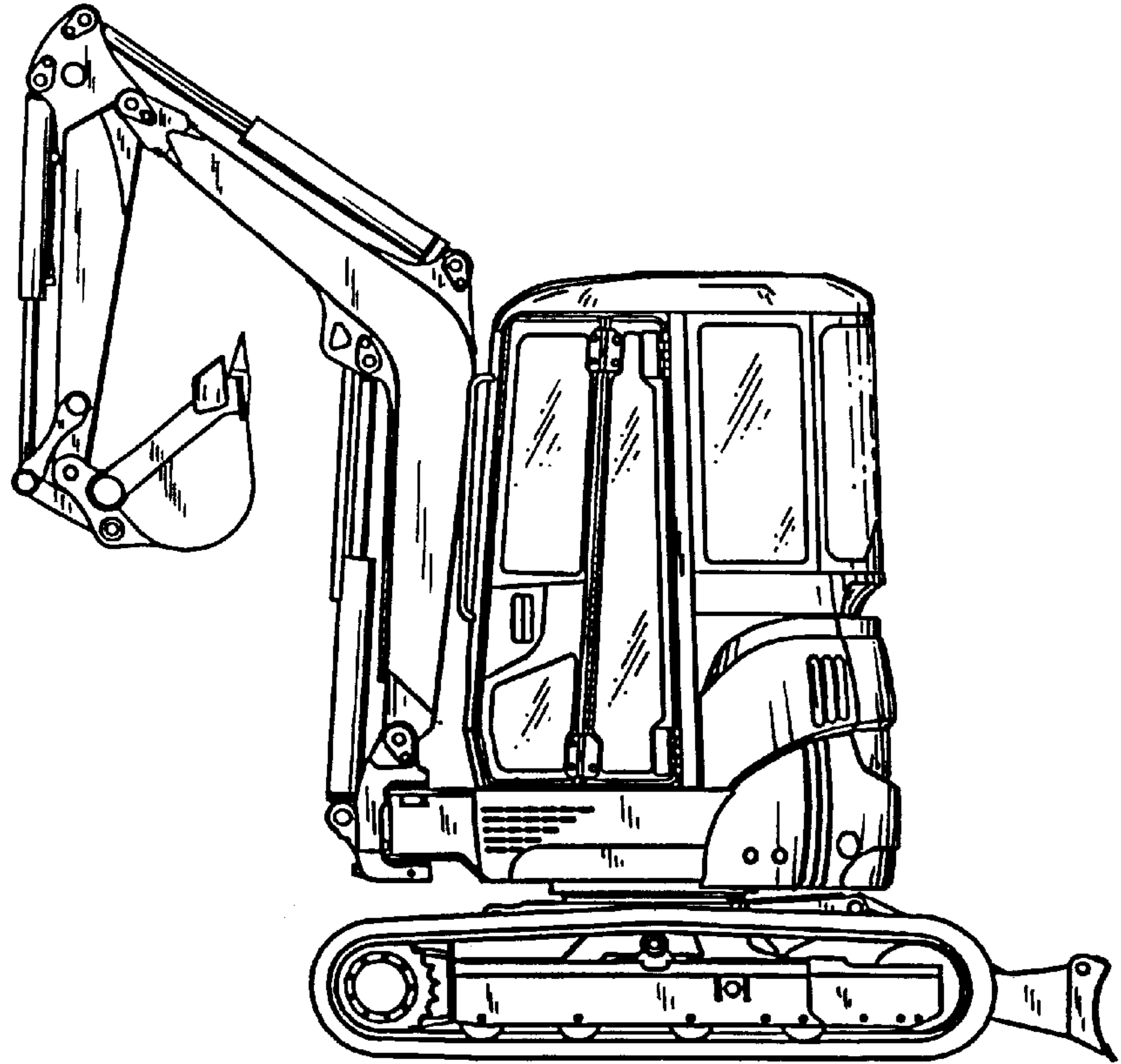


Fig. 5

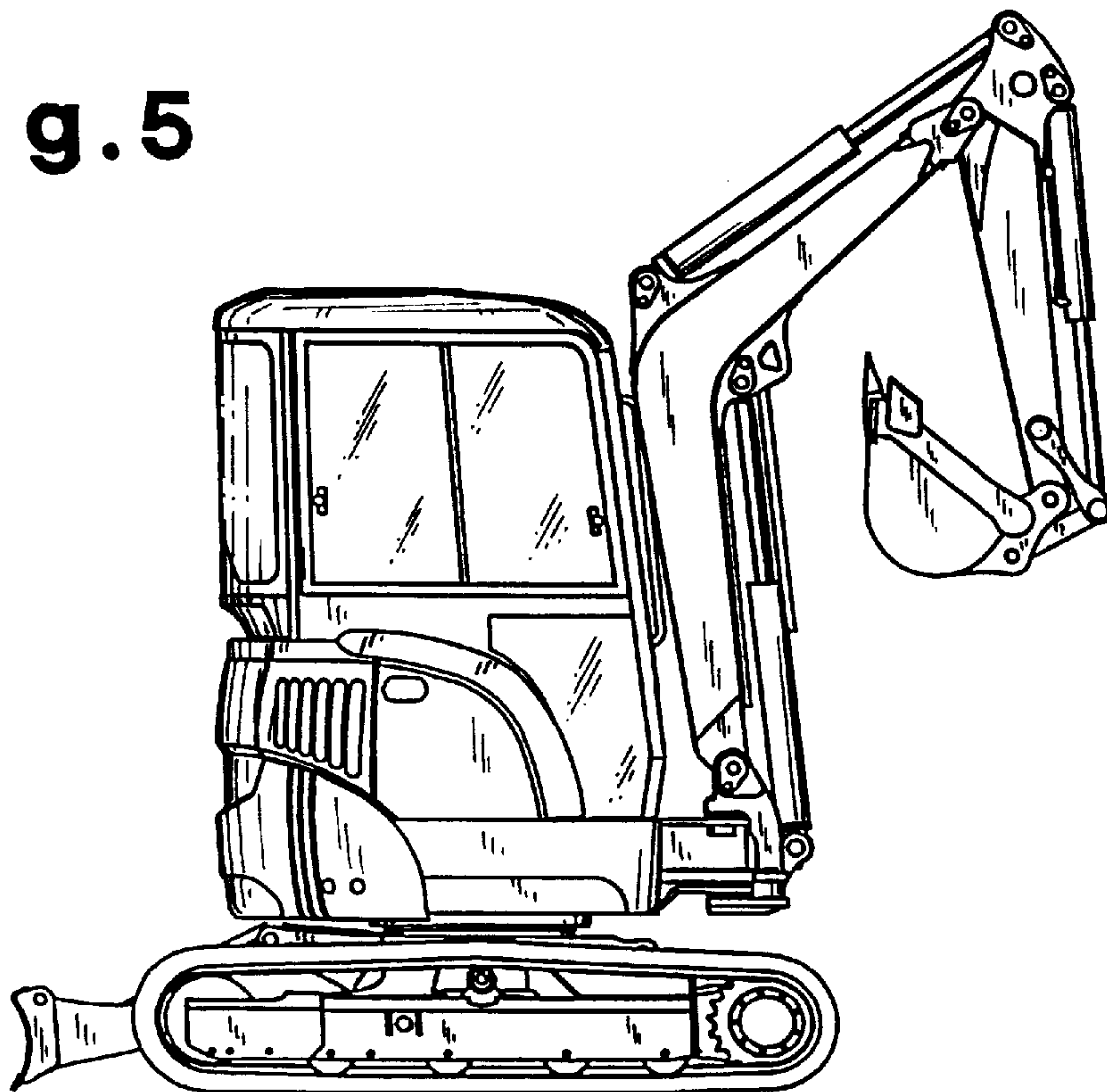


Fig. 6

