



US00D460457S

(12) **United States Design Patent**
Caughlan et al.

(10) **Patent No.:** **US D460,457 S**

(45) **Date of Patent:** **** Jul. 16, 2002**

(54) **SERVER APPLIANCE BEZEL**

(75) **Inventors:** **Carma Caughlan**, Portland; **Wei-Tong Sun**, Beaverton; **Suzanne Taylor**, Gaston; **Mark Albrecht**, Hillsboro; **Rick Feightner**, West Linn; **Dave Heasty**; **Steve Brown**, both of Portland; **Steve Rodden**, Sherwood, all of OR (US); **Pat Rodden**, Snohomish, WA (US); **Son H. Lam**, Puyallup, WA (US); **Bruce Clark**, Anders Island, WA (US); **Kyle Fox**; **Bun Tan**, both of Portland, OR (US); **Larry Altendorf**, Tigard, OR (US); **Greg Lento**, Portland, OR (US); **Rob Armstrong**, Portland, OR (US); **Todd Whitaker**, Portland, OR (US); **Mike Midghall**, Portland, OR (US); **Bob Eldridge**, Portland, OR (US)

(73) **Assignee:** **Intel Corporation**, Santa Clara, CA (US)

(**) **Term:** **14 Years**

(21) **Appl. No.:** **29/146,892**

(22) **Filed:** **Aug. 17, 2001**

Related U.S. Application Data

(62) Division of application No. 29/119,317, filed on Feb. 25, 2000.

(51) **LOC (7) Cl.** **14-02**

(52) **U.S. Cl.** **D14/445**

(58) **Field of Search** D14/441-446;
D13/162, 184, 199, 164, 177; 312/223.2;
361/600, 622, 724-728, 680-686, 690-696

(56) **References Cited**

U.S. PATENT DOCUMENTS

D333,134 S * 2/1993 Aderman D14/445
D380,211 S * 6/1997 Aderman et al. D14/445
D415,749 S * 10/1999 Burke D14/445

* cited by examiner

Primary Examiner—Freda Nunn
(74) *Attorney, Agent, or Firm*—Blakely, Sokoloff, Taylor & Zafman LLP

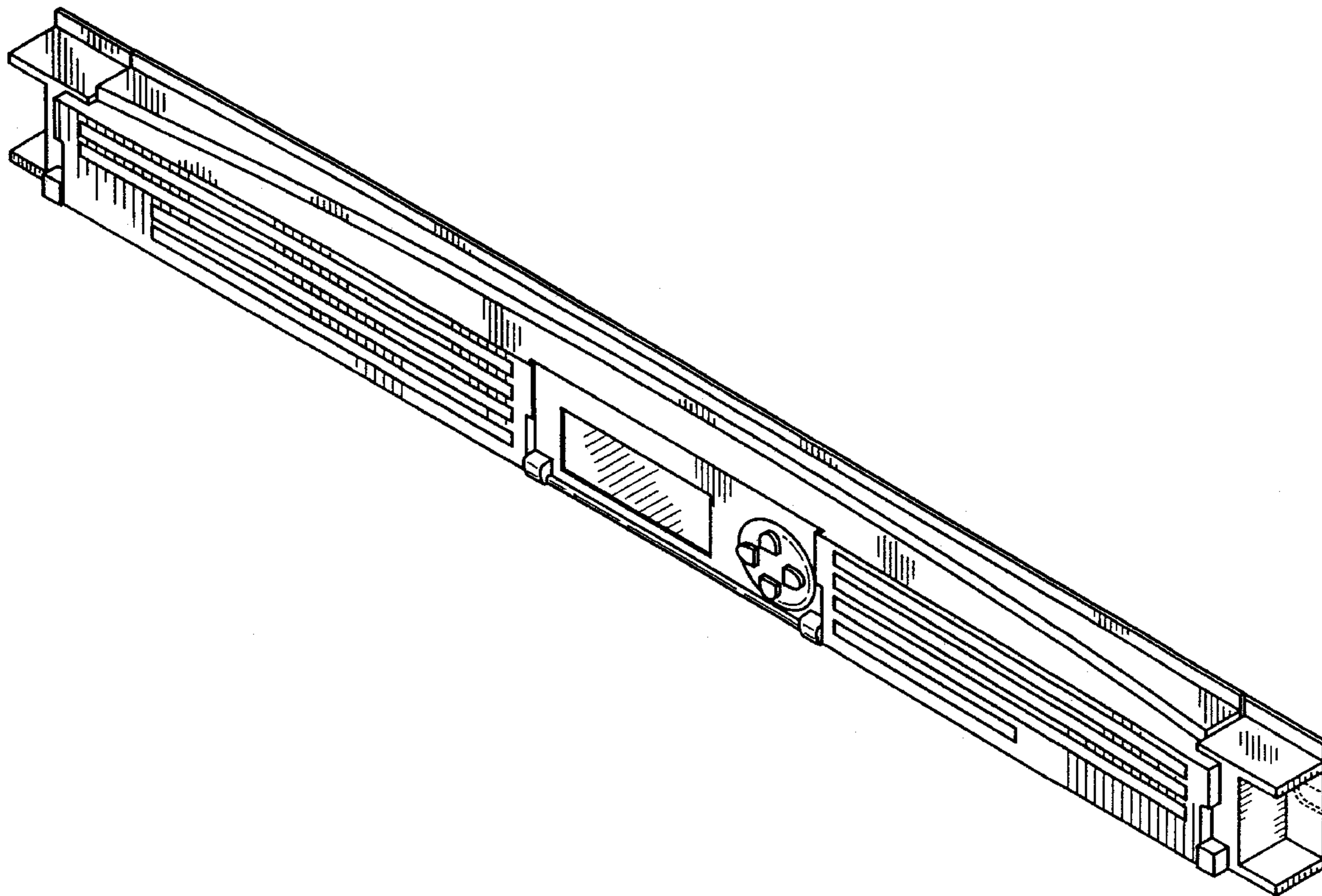
(57) **CLAIM**

The ornamental design for a server appliance bezel, as shown.

DESCRIPTION

The FIGURE is a perspective view of the server appliance bezel.

1 Claim, 1 Drawing Sheet



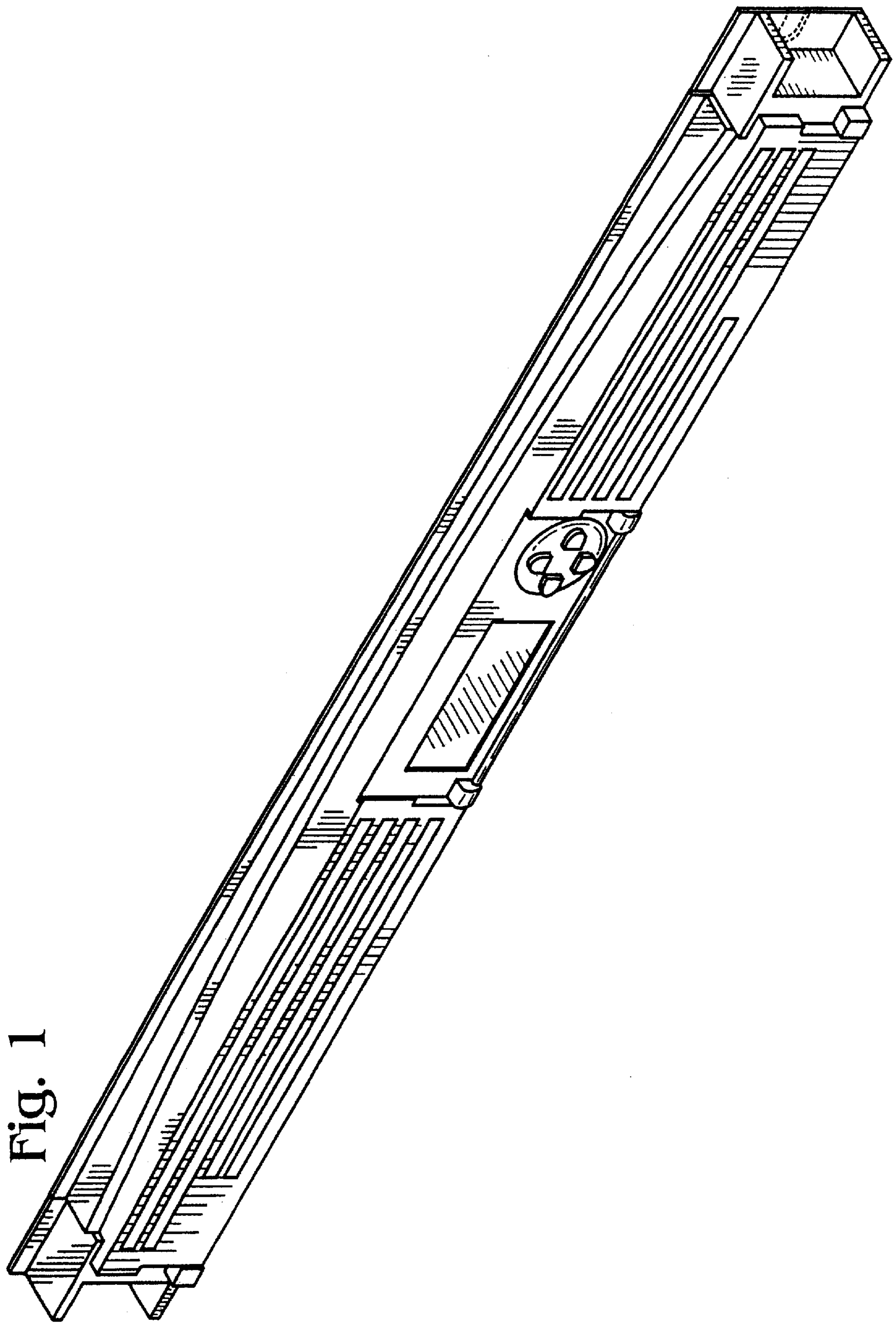


Fig. 1