



US00D460452S

(12) **United States Design Patent**  
**Yoshie**

(10) **Patent No.:** **US D460,452 S**

(45) **Date of Patent:** **\*\* Jul. 16, 2002**

(54) **WIRELESS DATA TRANSMITTING/  
RECEIVING DEVICE**

(75) Inventor: **Hiroto Yoshie**, Atsugi (JP)

(73) Assignee: **Mitsumi Electric Co., Ltd.**, Tokyo (JP)

(\*\*) Term: **14 Years**

(21) Appl. No.: **29/145,443**

(22) Filed: **Jul. 23, 2001**

(30) **Foreign Application Priority Data**

Jan. 29, 2001 (JP) ..... 2001-001696

(51) **LOC (7) Cl.** ..... **14-02**

(52) **U.S. Cl.** ..... **D14/358**

(58) **Field of Search** ..... D14/356, 358,  
D14/432, 433, 343, 240, 130, 137, 242,  
149, 125; D13/162, 184, 199; 360/99.01-99.12;  
361/690-696; D20/18

(56) **References Cited**

**U.S. PATENT DOCUMENTS**

D338,193 S \* 8/1993 Sasaki ..... D14/433  
D359,042 S \* 6/1995 Tamura ..... D14/130

D366,878 S \* 2/1996 Wakabayashi et al. .... D14/242  
D382,255 S \* 8/1997 Moffatt ..... D14/358  
D383,458 S \* 9/1997 Biasotti et al. .... D14/149  
D389,523 S \* 1/1998 Siebold et al. .... D20/18  
D398,919 S \* 9/1998 Yen ..... D14/125  
D408,812 S \* 4/1999 Danis ..... D14/137

\* cited by examiner

*Primary Examiner*—Freda Nunn

(74) *Attorney, Agent, or Firm*—Ladas & Parry

(57) **CLAIM**

The ornamental design for a wireless data transmitting/  
receiving device, as shown and described.

**DESCRIPTION**

FIG. 1 is a perspective view of a wireless data transmitting/  
receiving device showing my new design;  
FIG. 2 is a front view thereof;  
FIG. 3 is a rear view thereof;  
FIG. 4 is a top view thereof;  
FIG. 5 is a bottom view thereof;  
FIG. 6 is a right side view thereof;  
FIG. 7 is a left side view thereof; and,  
FIG. 8 is a perspective view thereof showing the state of use.

**1 Claim, 3 Drawing Sheets**

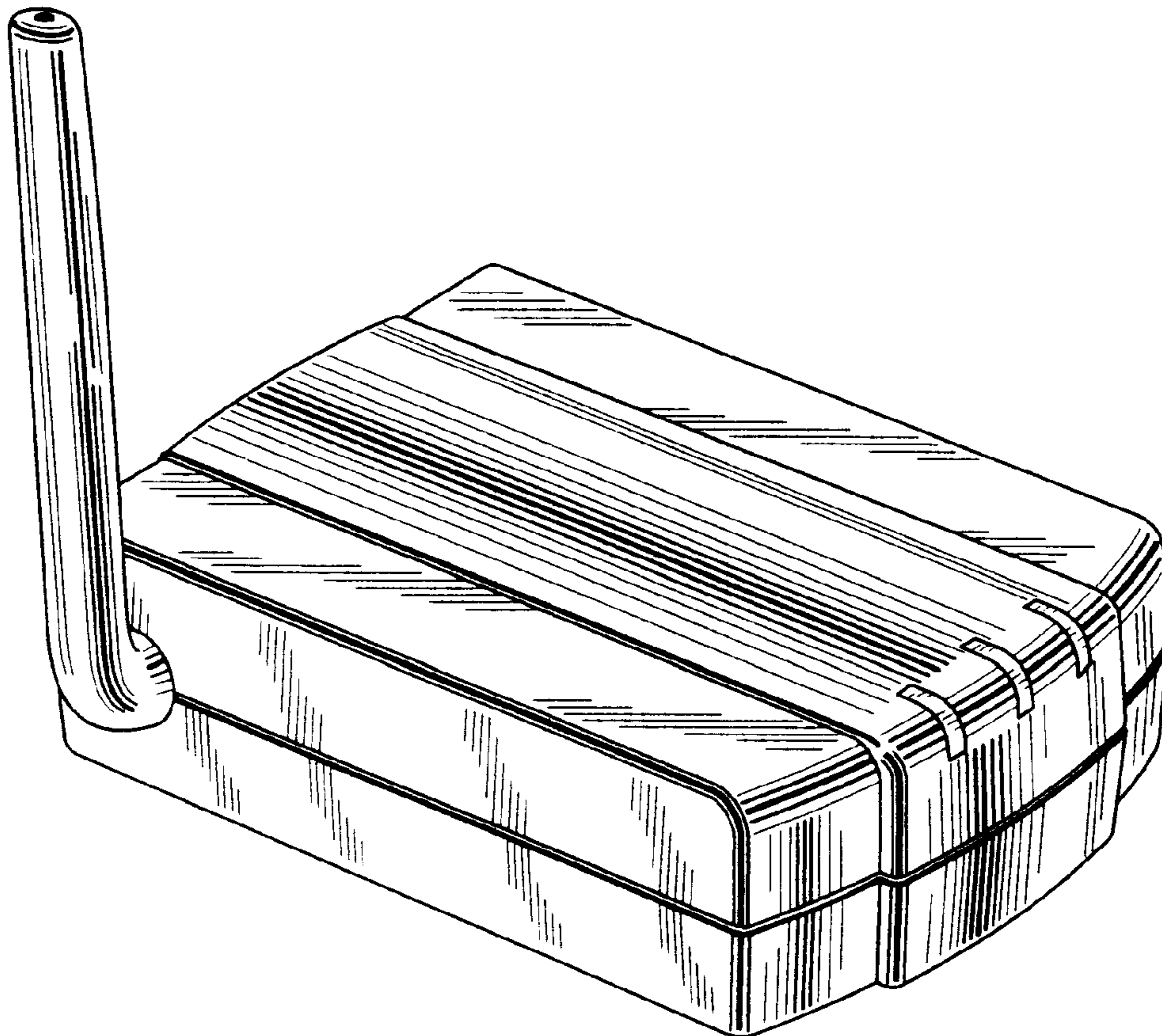


FIG. 1

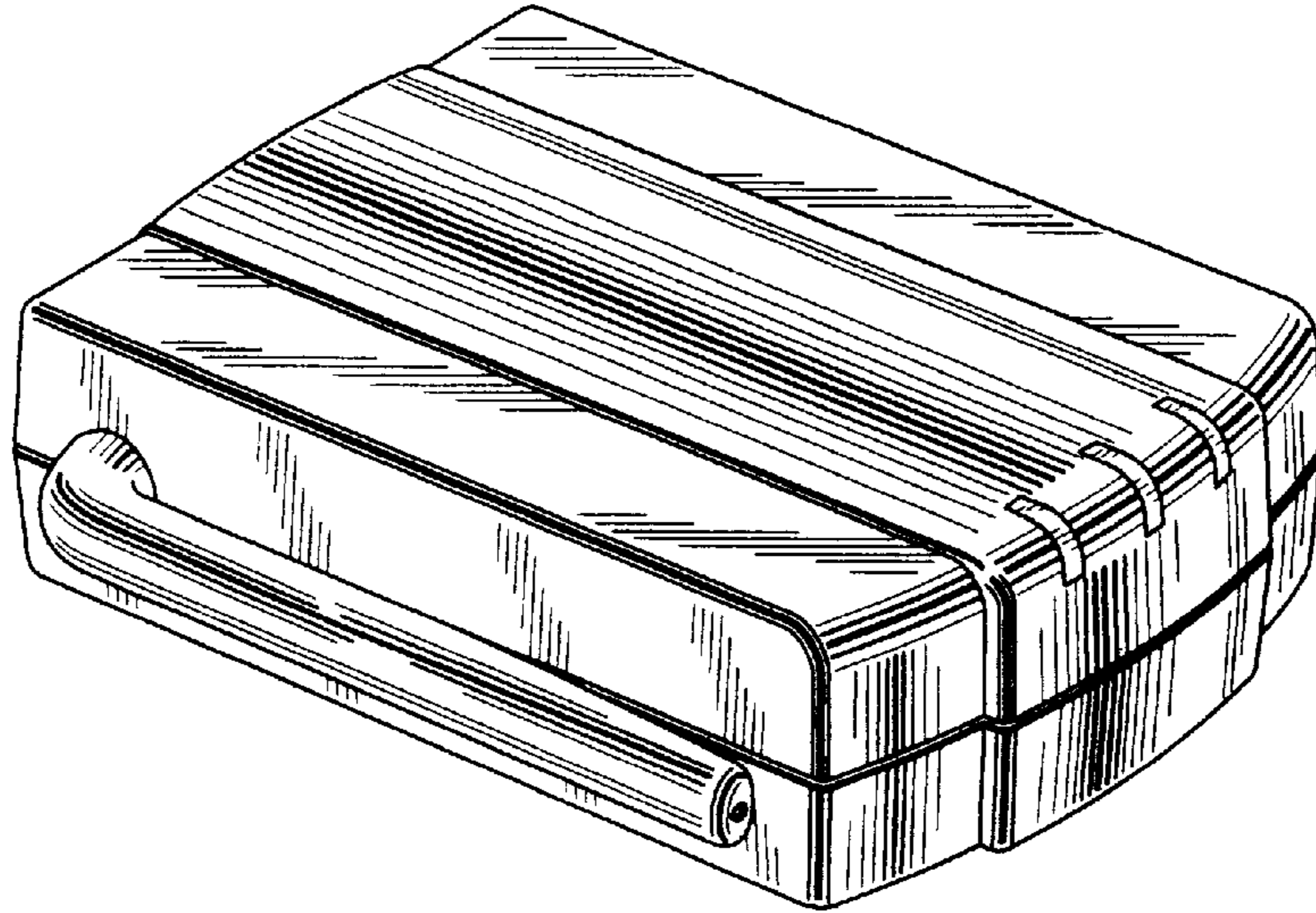


FIG. 2

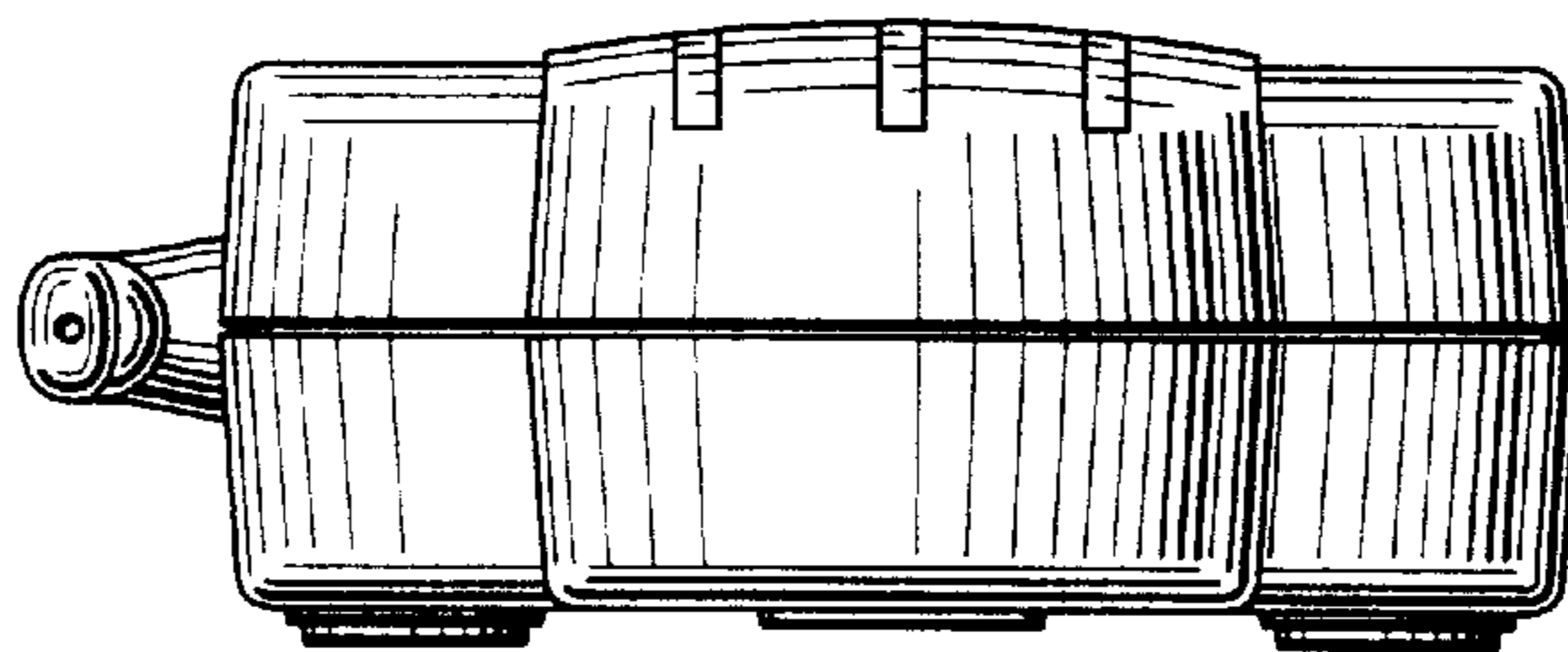


FIG. 3

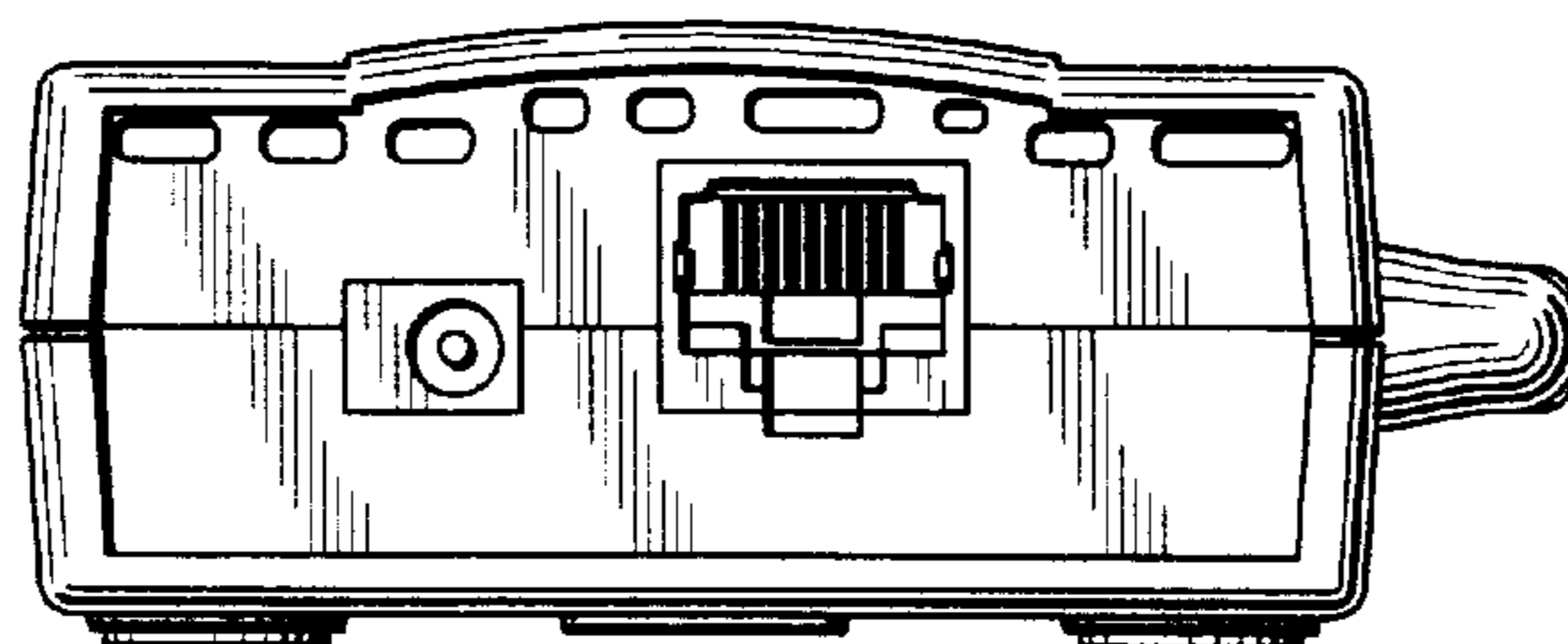


FIG. 4

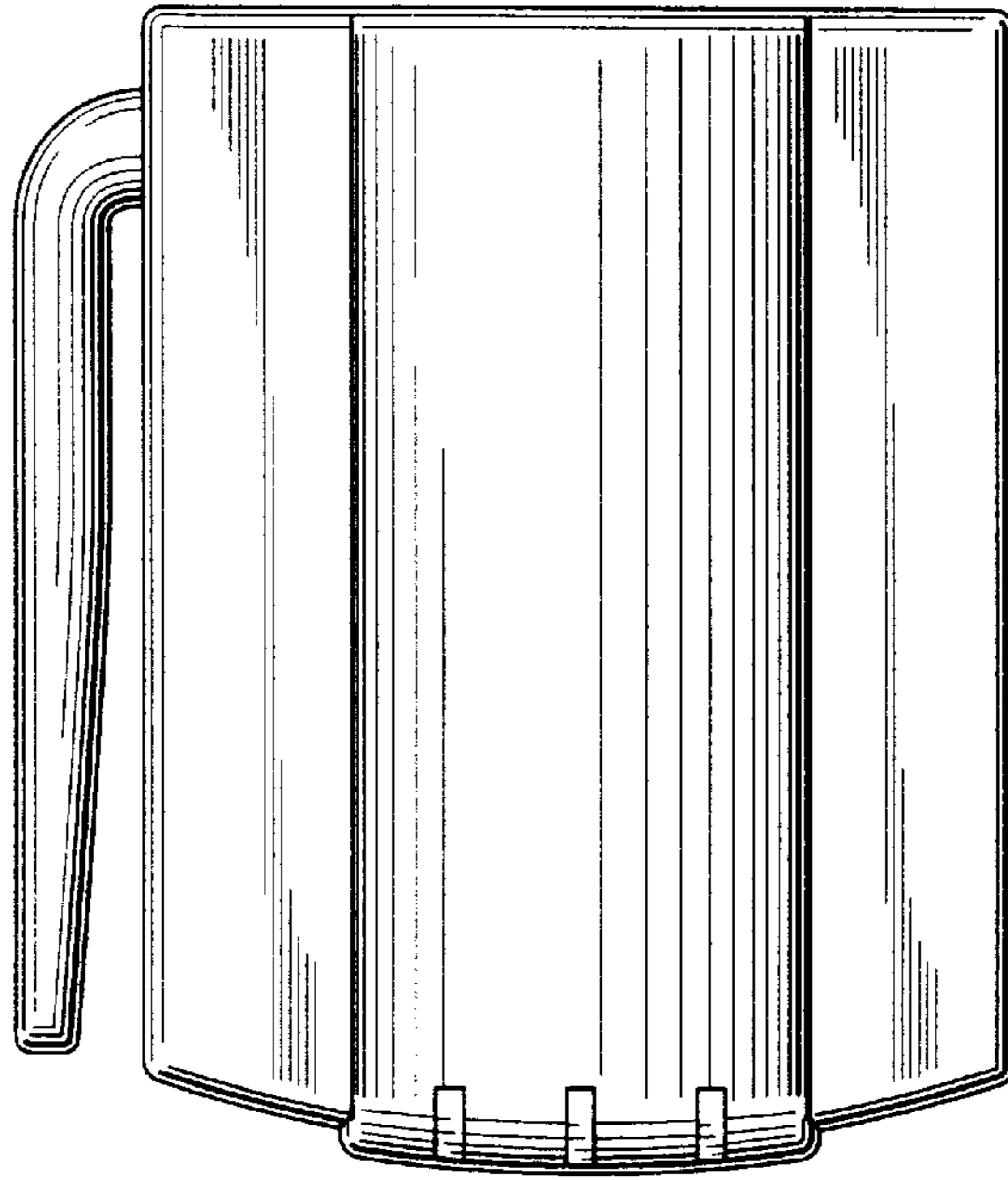


FIG. 5

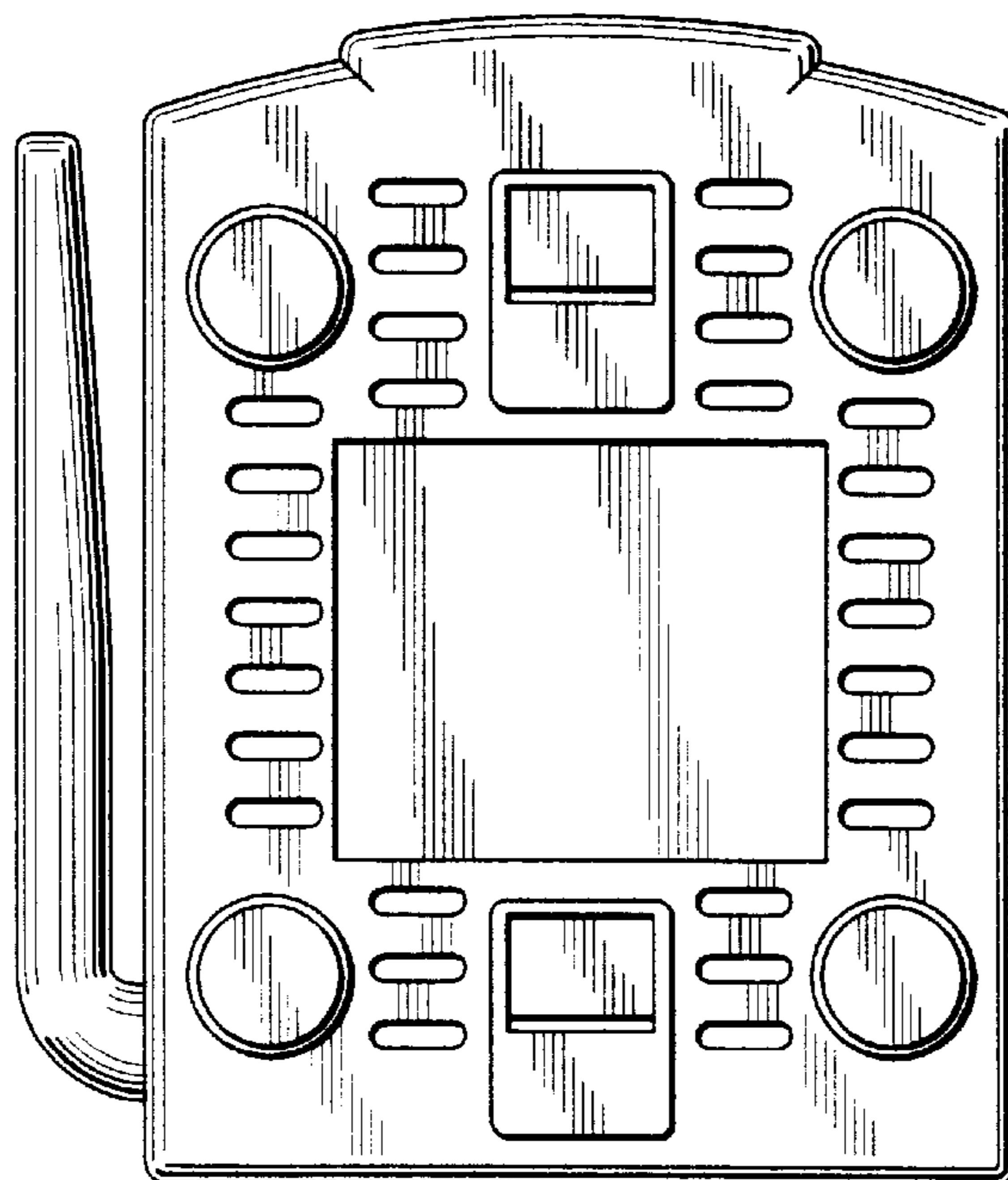


FIG.6

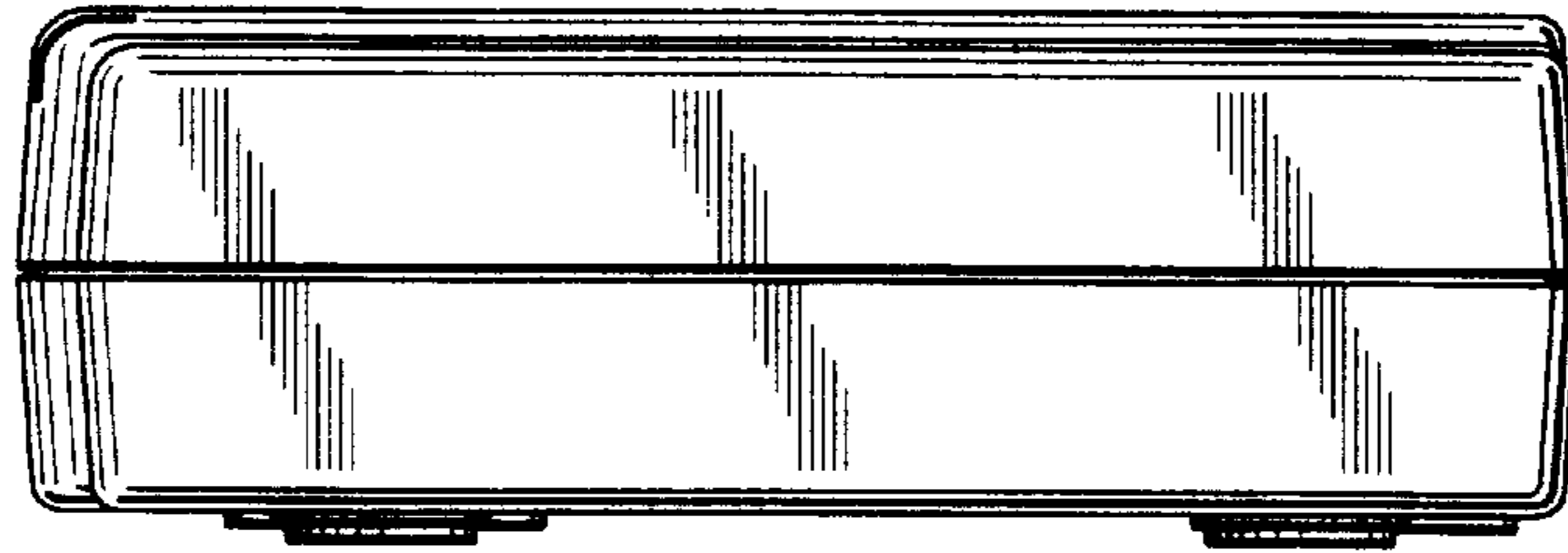


FIG.7

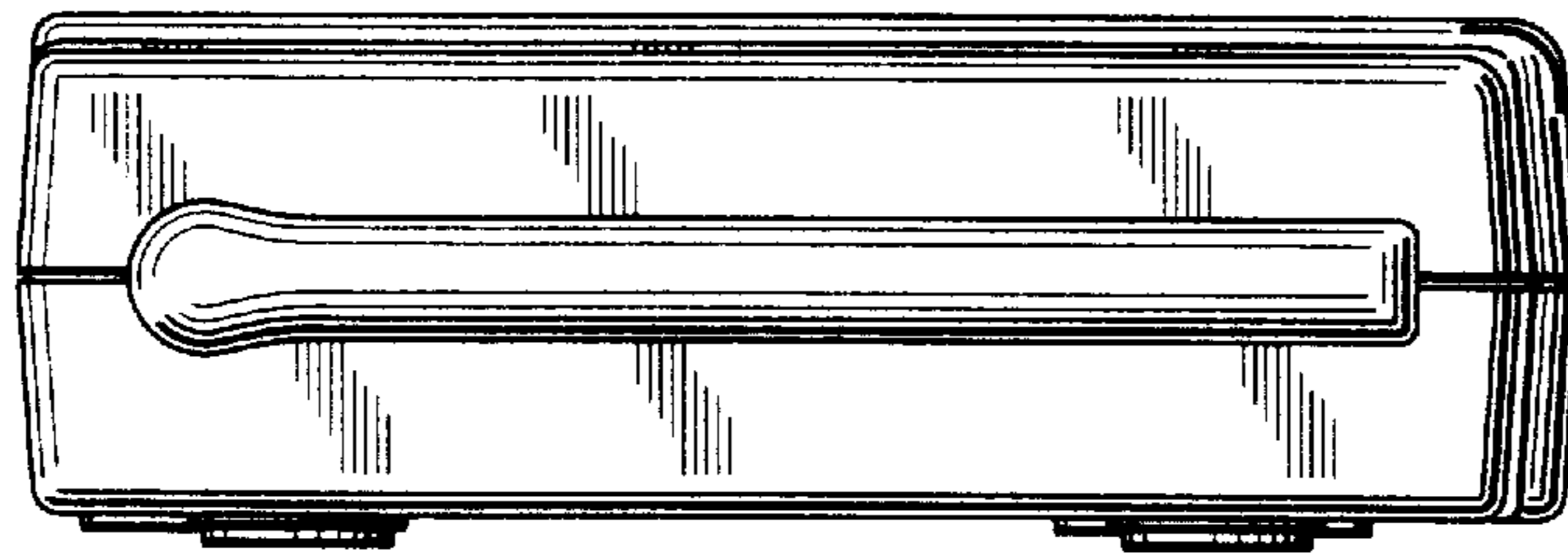


FIG.8

