



US00D460450S

(12) **United States Design Patent**
Goto

(10) **Patent No.:** **US D460,450 S**

(45) **Date of Patent:** **** Jul. 16, 2002**

(54) **ARITHMETIC AND CONTROL UNIT**

(75) **Inventor:** **Teiyu Goto, Tokyo (JP)**

(73) **Assignee:** **Sony Computer Entertainment, Inc., Tokyo (JP)**

(**) **Term:** **14 Years**

(21) **Appl. No.:** **29/146,262**

(22) **Filed:** **Aug. 8, 2001**

Related U.S. Application Data

(62) Division of application No. 29/139,252, filed on Mar. 28, 2001, now Pat. No. Des. 453,511.

(30) **Foreign Application Priority Data**

Sep. 29, 2000 (JP) 2000-27552
Sep. 29, 2000 (JP) 2000-27553

(51) **LOC (7) Cl.** **14-02**

(52) **U.S. Cl.** **D14/356**

(58) **Field of Search** D14/336, 337,
D14/371, 135, 136, 156; D21/324, 332,
333; D13/167, 184, 199; 312/223.1-223.3;
369/34, 36; 361/690-696, 680-686

(56) **References Cited**

U.S. PATENT DOCUMENTS

D224,233 S * 7/1972 Fujita D14/371
D331,747 S * 12/1992 Takahashi D14/336
D351,148 S 10/1994 Rodd
D364,648 S * 11/1995 Osterhout D21/324
D367,895 S * 3/1996 Goto D21/332
D383,800 S 9/1997 Ishizaki et al.
D398,659 S * 9/1998 Yokoi D21/333

D408,395 S * 4/1999 Sakamoto et al. D14/136
D408,408 S * 4/1999 Ito et al. D14/156
D422,029 S 3/2000 Goto
D434,762 S 12/2000 Ikenaga

FOREIGN PATENT DOCUMENTS

JP 741479 8/1988

OTHER PUBLICATIONS

Catalog "Mitsubishi Multi-media Display," p. 2 (Dec. 24, 1999).

* cited by examiner

Primary Examiner—Freda Nunn

(74) *Attorney, Agent, or Firm*—Rader, Fishman and Grauer, PLLC

(57) **CLAIM**

The ornamental design for an arithmetic and control unit, as shown and described.

DESCRIPTION

FIG. 1 is a front elevational view of an arithmetic and control unit showing my new design;
FIG. 2 is a rear view thereof;
FIG. 3 is a left side elevational view thereof;
FIG. 4 is a right side elevational view thereof;
FIG. 5 is a top plan view thereof; and
FIG. 6 is a bottom plan view thereof.
FIG. 7 is a front elevational view, wherein the display or screen portion is in the open position;
FIG. 8 is a rear elevational view thereof;
FIG. 9 is a right side elevational view thereof;
FIG. 10 is a top plan elevational view thereof; and,
FIG. 11 is a front perspective view thereof.

1 Claim, 6 Drawing Sheets

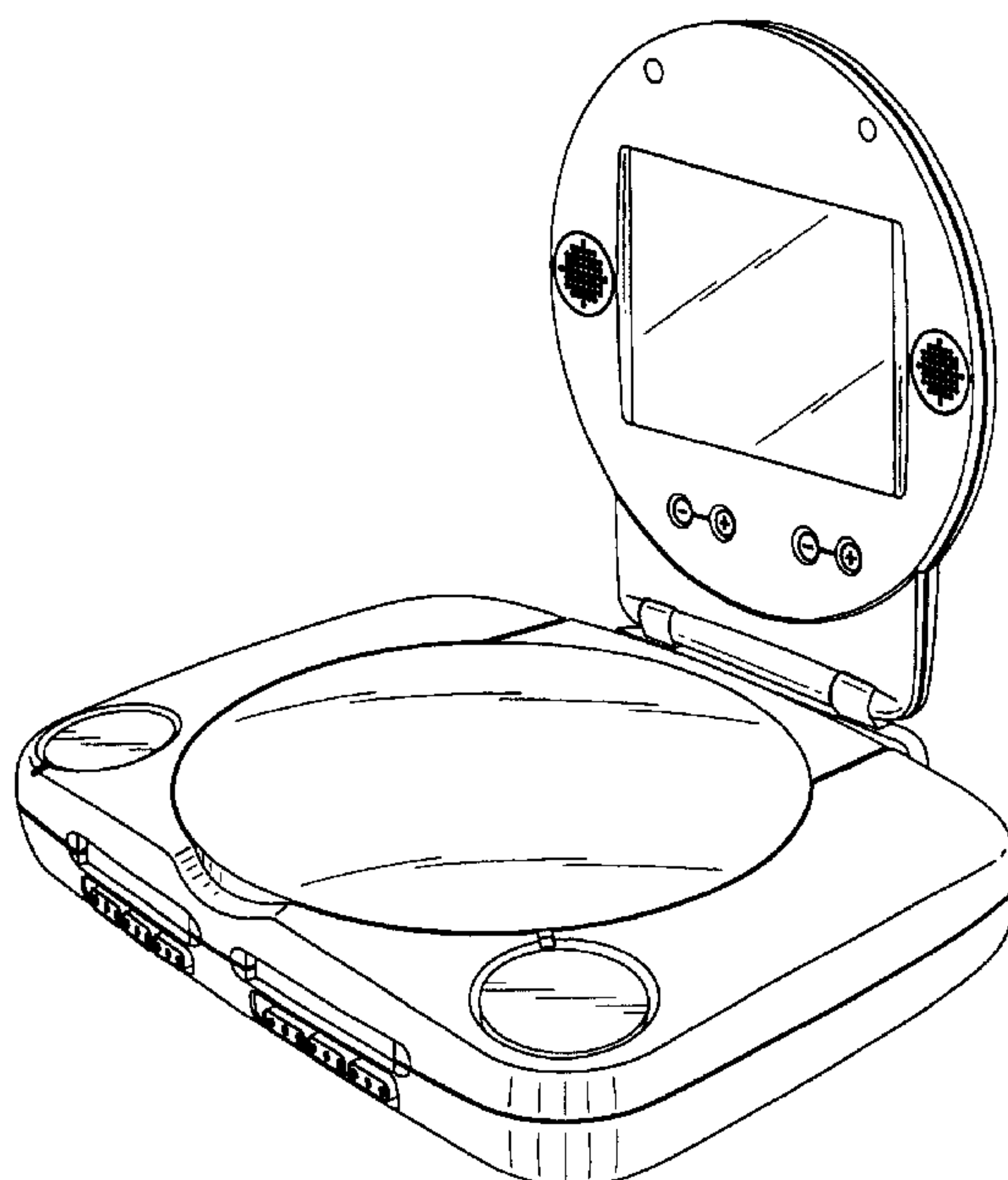


FIG. 1

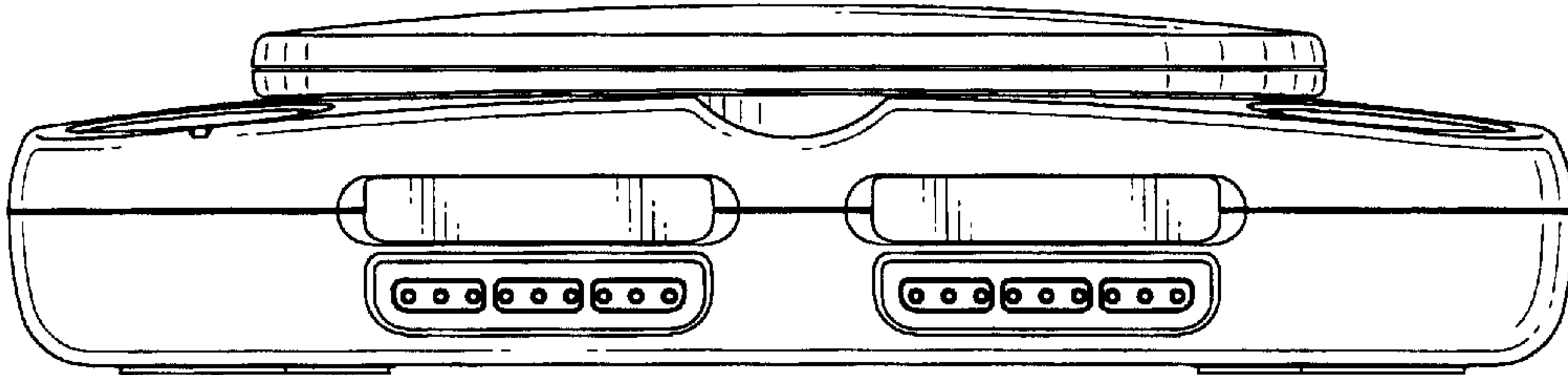


FIG. 2

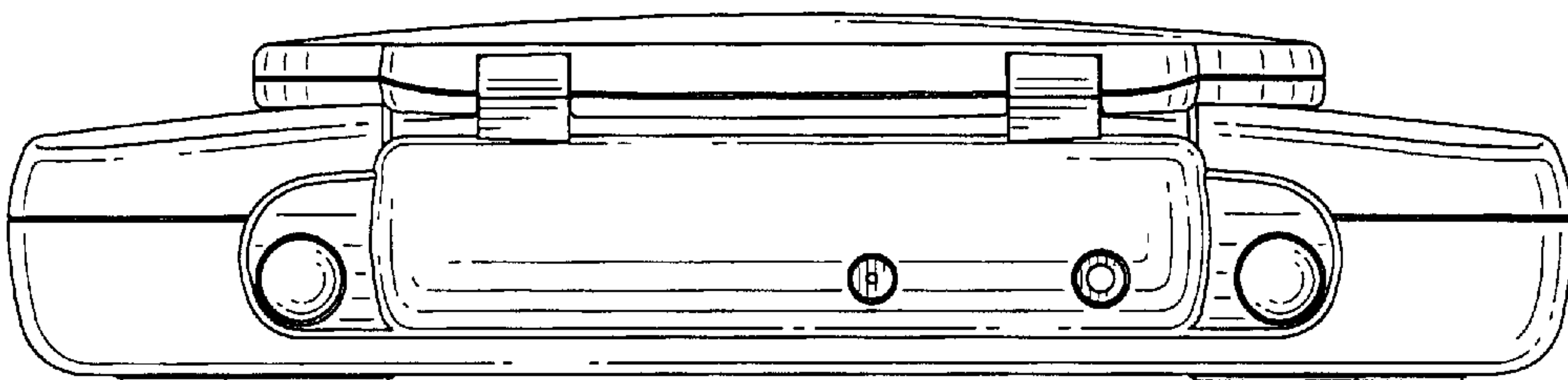


FIG. 3

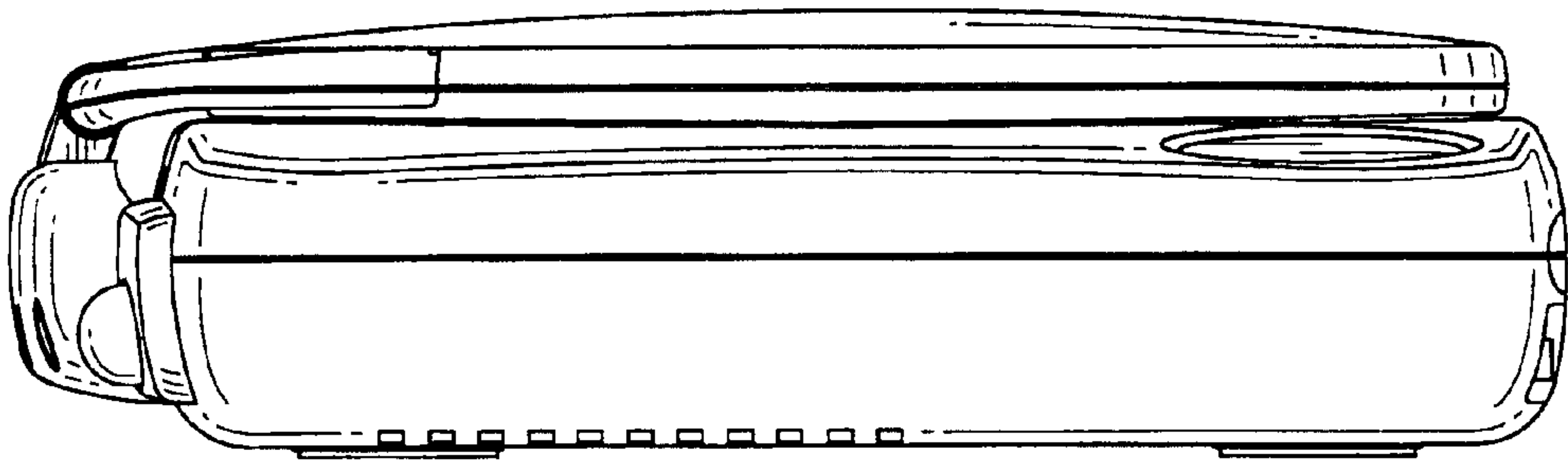


FIG. 4

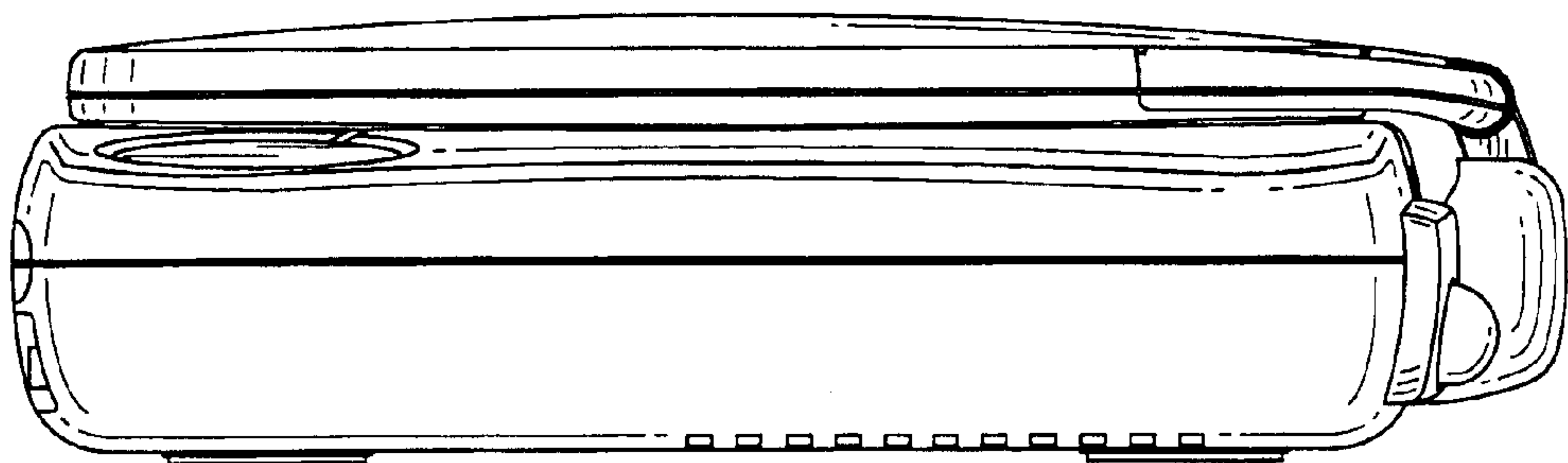


FIG. 5

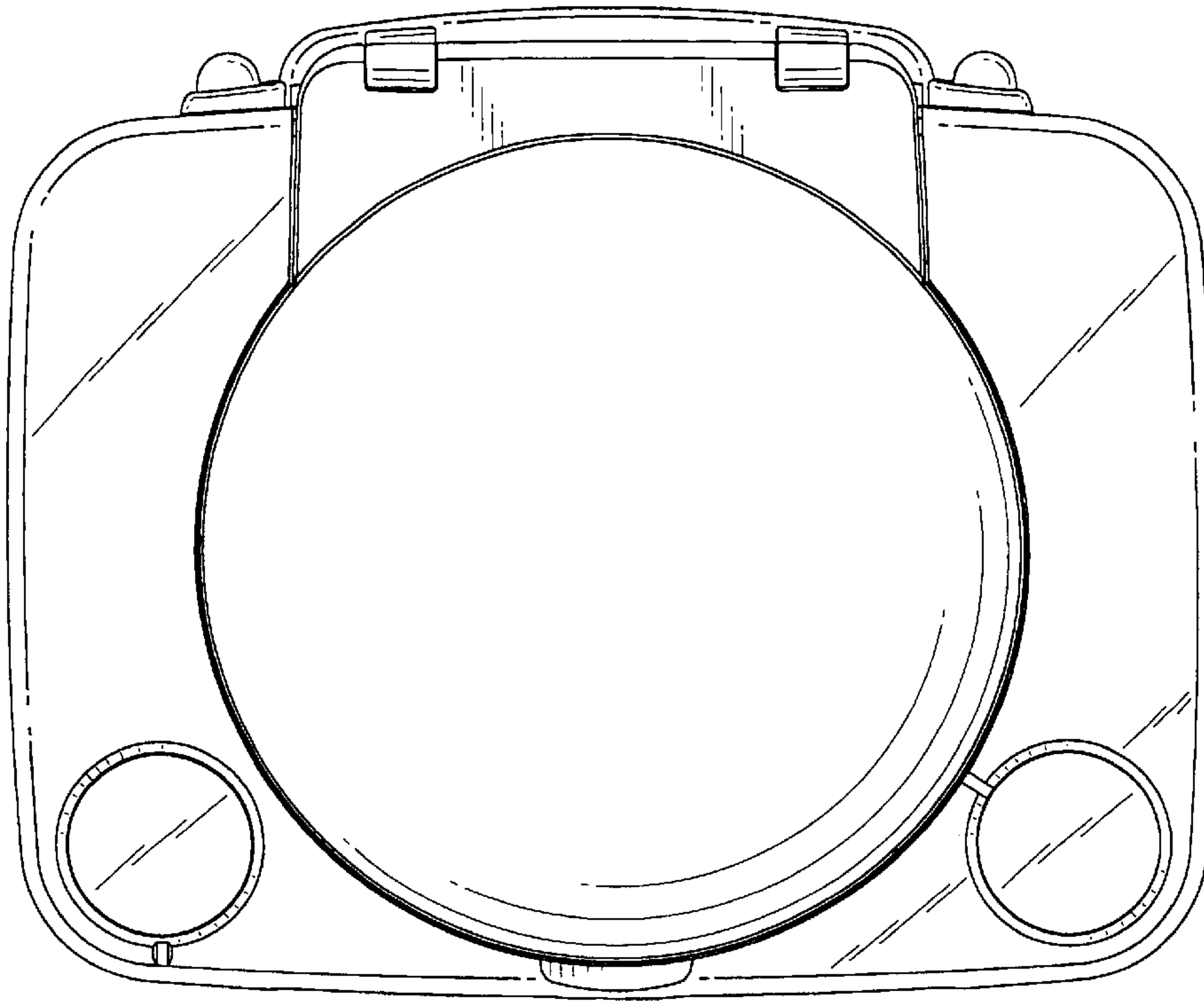


FIG. 6

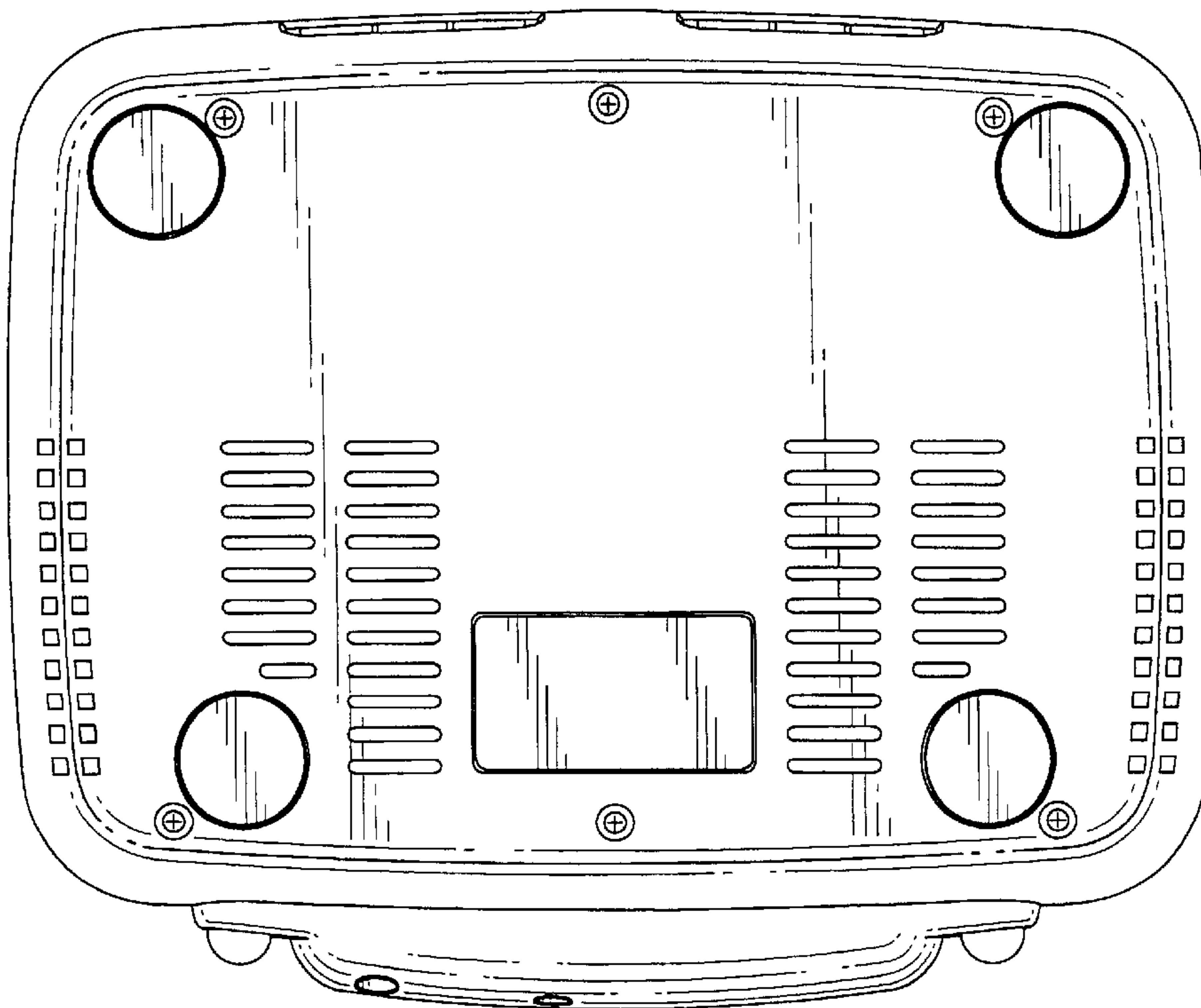


FIG. 7

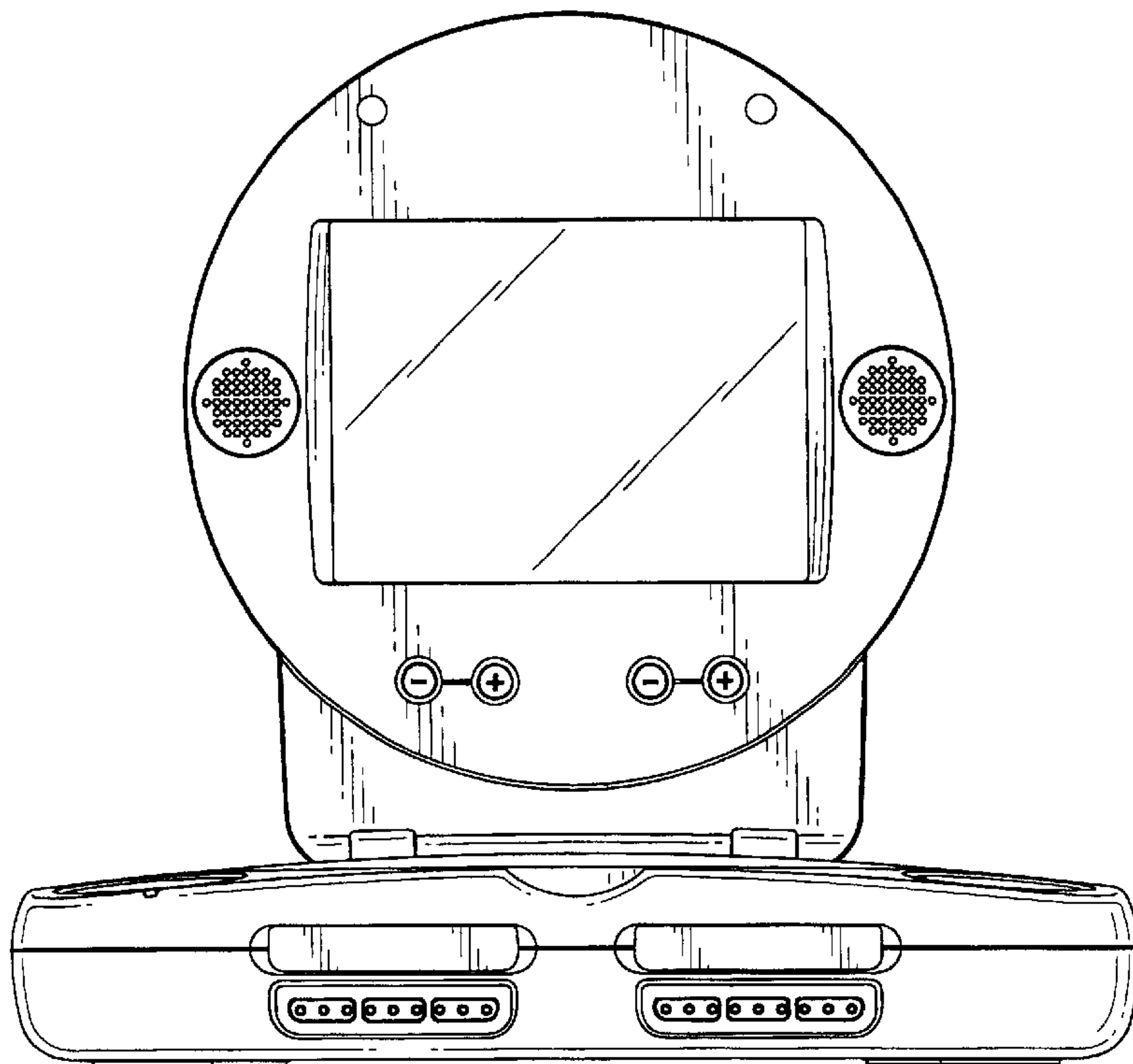


FIG. 8

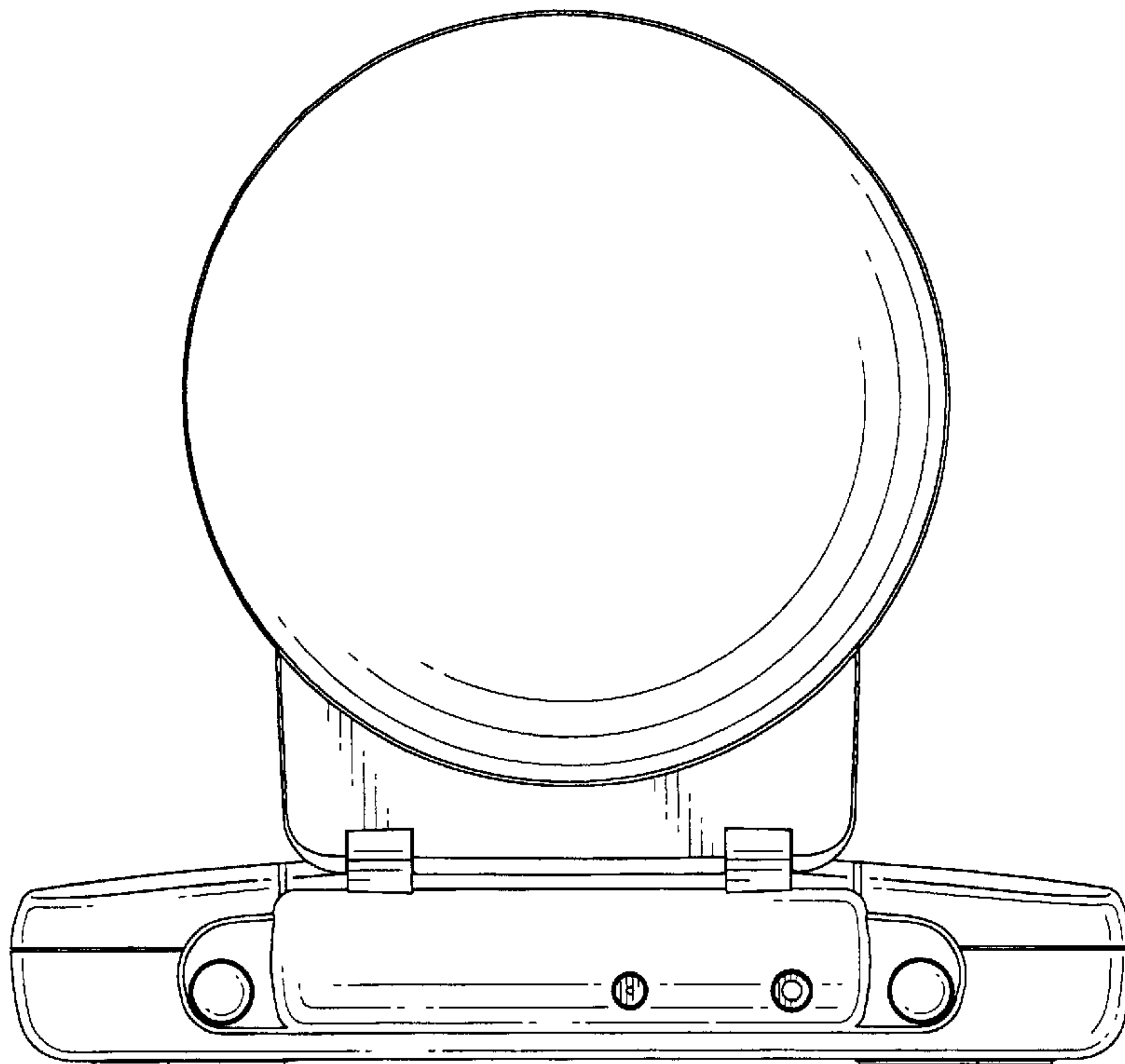


FIG. 9

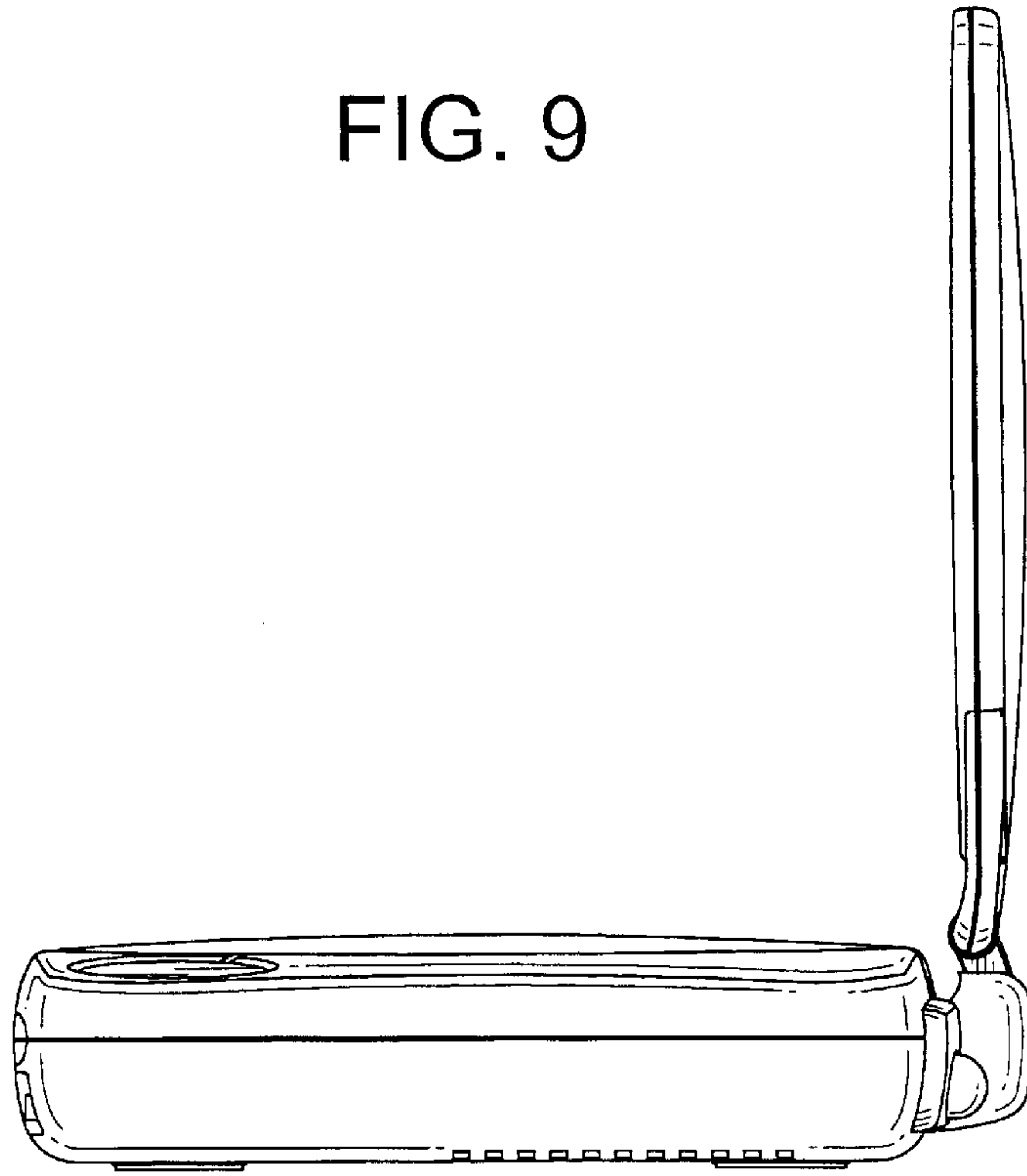


FIG. 10

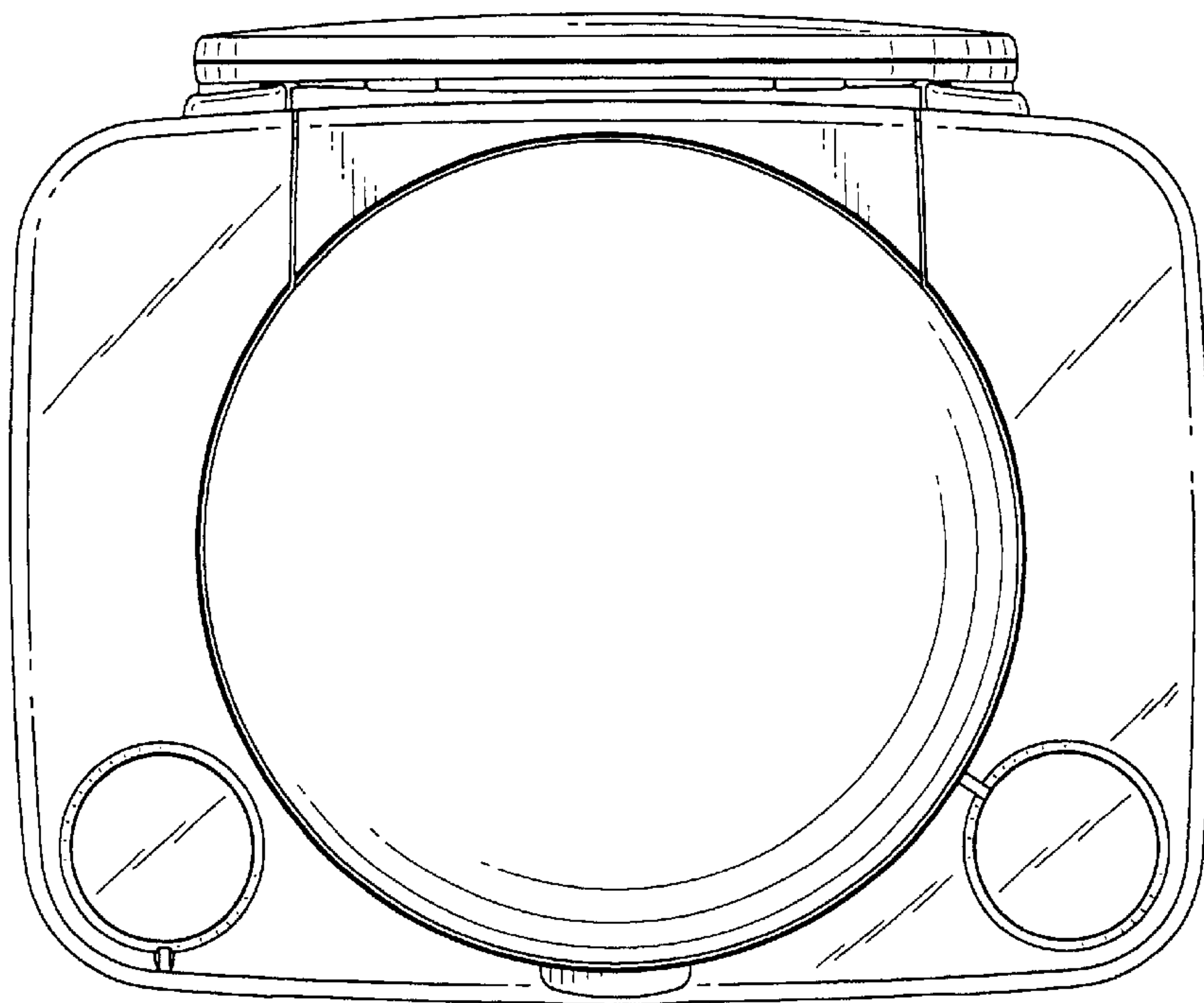


FIG. 11

