



US00D460449S

(12) **United States Design Patent**  
**Greenhalgh et al.**

(10) **Patent No.:** **US D460,449 S**

(45) **Date of Patent:** **\*\* Jul. 16, 2002**

(54) **STORAGE DEVICE, STORAGE DEVICE ENCLOSURE, AND SUPPORT FOR A STORAGE DEVICE ENCLOSURE**

D417,864 S \* 12/1999 Holtzman et al. .... D14/351  
D430,160 S \* 8/2000 Dann et al. .... D14/351  
D431,242 S \* 9/2000 Ray et al. .... D14/349

(75) Inventors: **David Greenhalgh, Roy; Spencer Stout, Layton; Paul Kunz; Scott Thomas**, both of Ogden; **Ryan Osterhout; Allen Bracken**, both of Layton, all of UT (US); **Mark Ciesko**, San Francisco, CA (US); **Dominic D'Andrea**, San Francisco; **Jeanette Numbers**, San Francisco, both of UT (US)

\* cited by examiner

*Primary Examiner*—Freda Nunn

(74) *Attorney, Agent, or Firm*—Parsons Behle & Latimer

(73) Assignee: **Iomega Corporation, Roy, UT (US)**

(\*\*) Term: **14 Years**

(21) Appl. No.: **29/141,898**

(22) Filed: **May 14, 2001**

(57) **CLAIM**

The ornamental design for a storage device, storage device enclosure, and support for a storage device enclosure, as shown and described.

**Related U.S. Application Data**

(63) Continuation-in-part of application No. 29/135,059, filed on Jan. 4, 2001.

(51) **LOC (7) Cl.** ..... **14-02**

(52) **U.S. Cl.** ..... **D14/349**

(58) **Field of Search** ..... D14/348, 349, D14/351-354, 356; D13/162, 184, 199; 312/223.1-223.3, 194; 360/99.01-99.12; 361/680-686, 690-696; 369/34, 36

**DESCRIPTION**

FIG. 1 is a perspective view showing one embodiment of our design, which embodiment is also shown in FIGS. 2-6;

FIG. 2 is a front view;

FIG. 3 is a rear view;

FIG. 4 is a bottom view;

FIG. 5 is a top view; and

FIG. 6 is a side view;

FIG. 7 is a perspective view showing another embodiment of our design, which embodiment is also shown in FIGS. 8-12;

FIG. 8 is a front view;

FIG. 9 is a rear view;

FIG. 10 is a top view;

FIG. 11 is a side view; and,

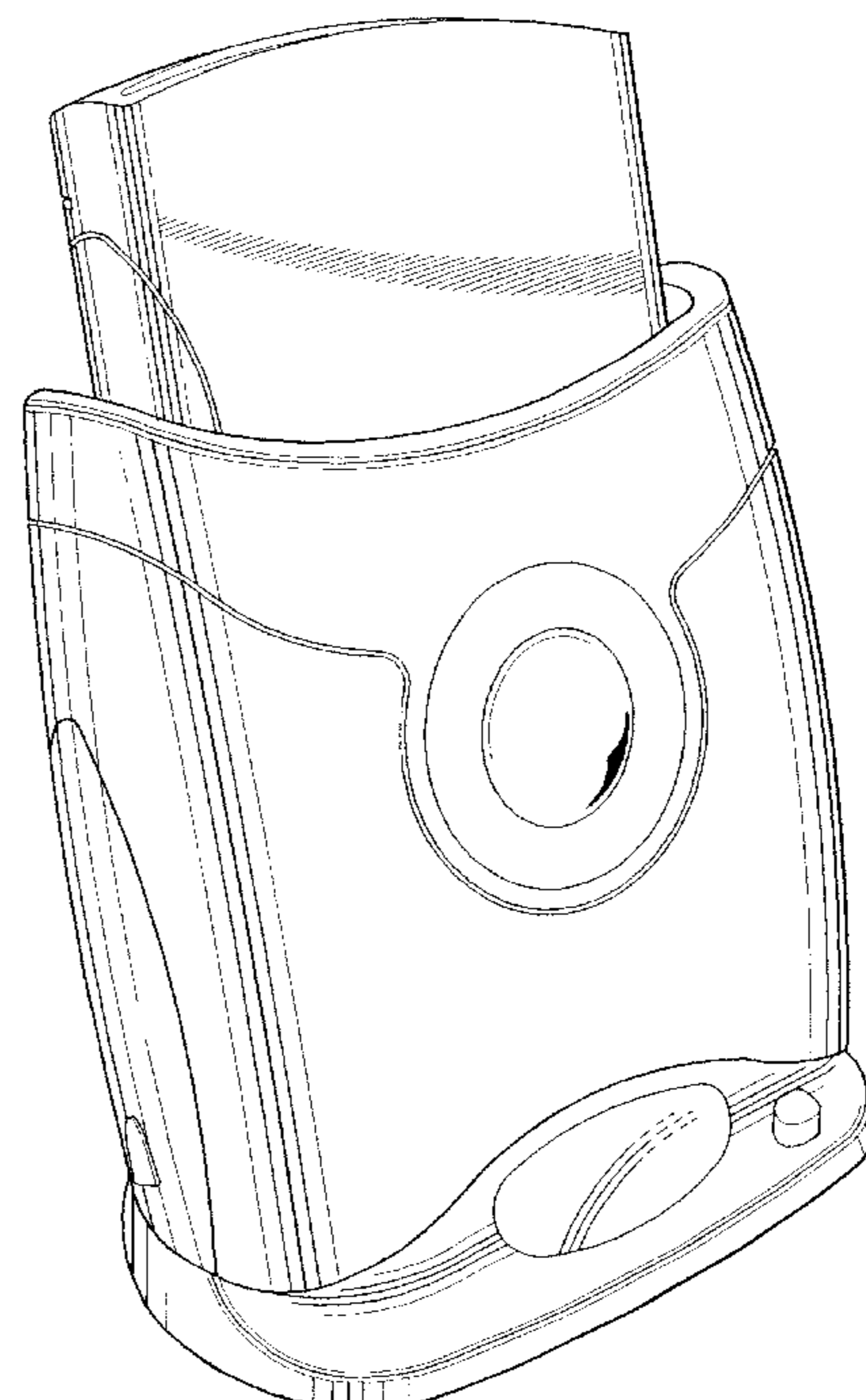
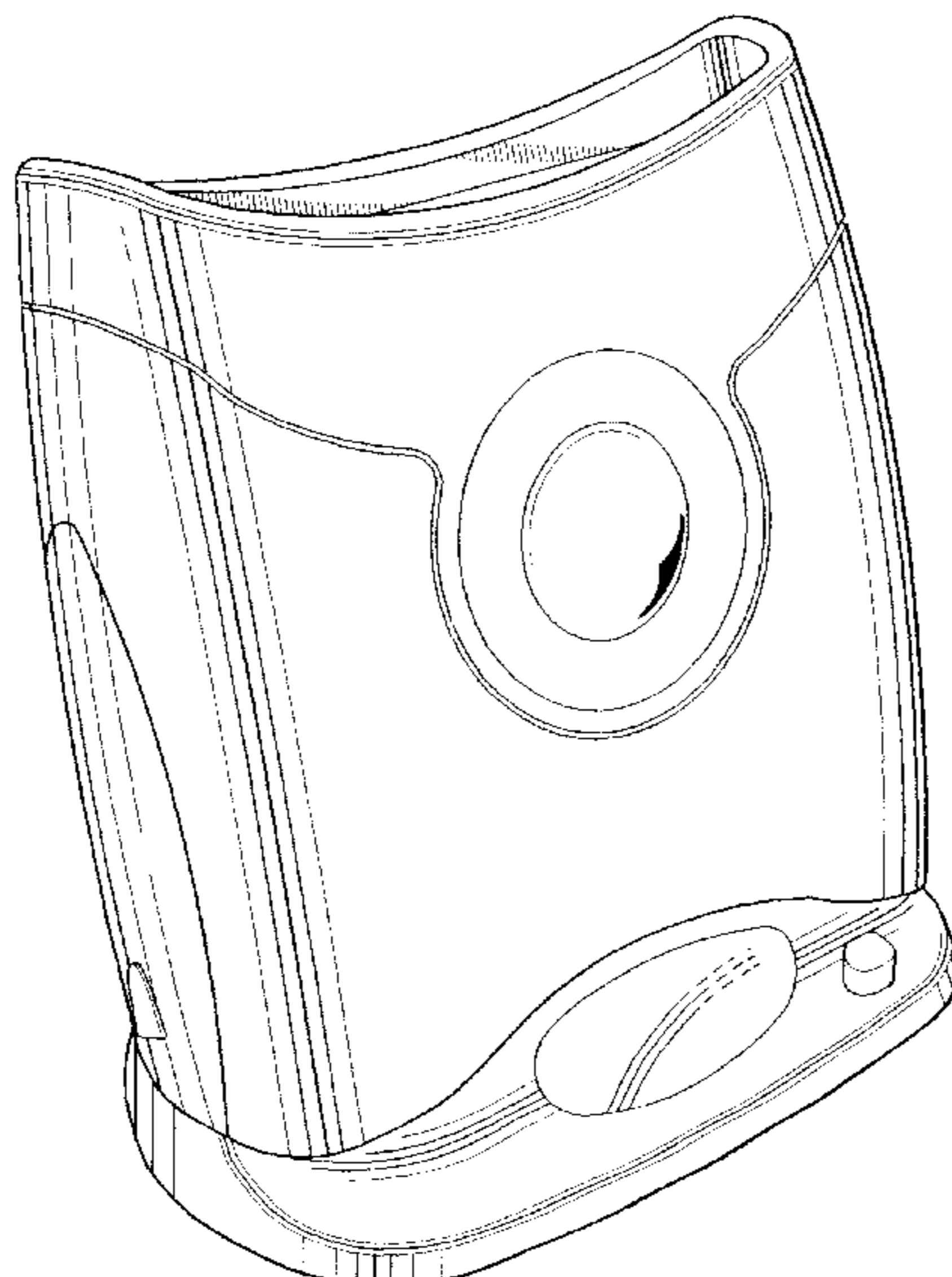
FIG. 12 is a bottom view.

(56) **References Cited**

**U.S. PATENT DOCUMENTS**

D298,625 S \* 11/1988 Gore ..... D14/351

**1 Claim, 8 Drawing Sheets**



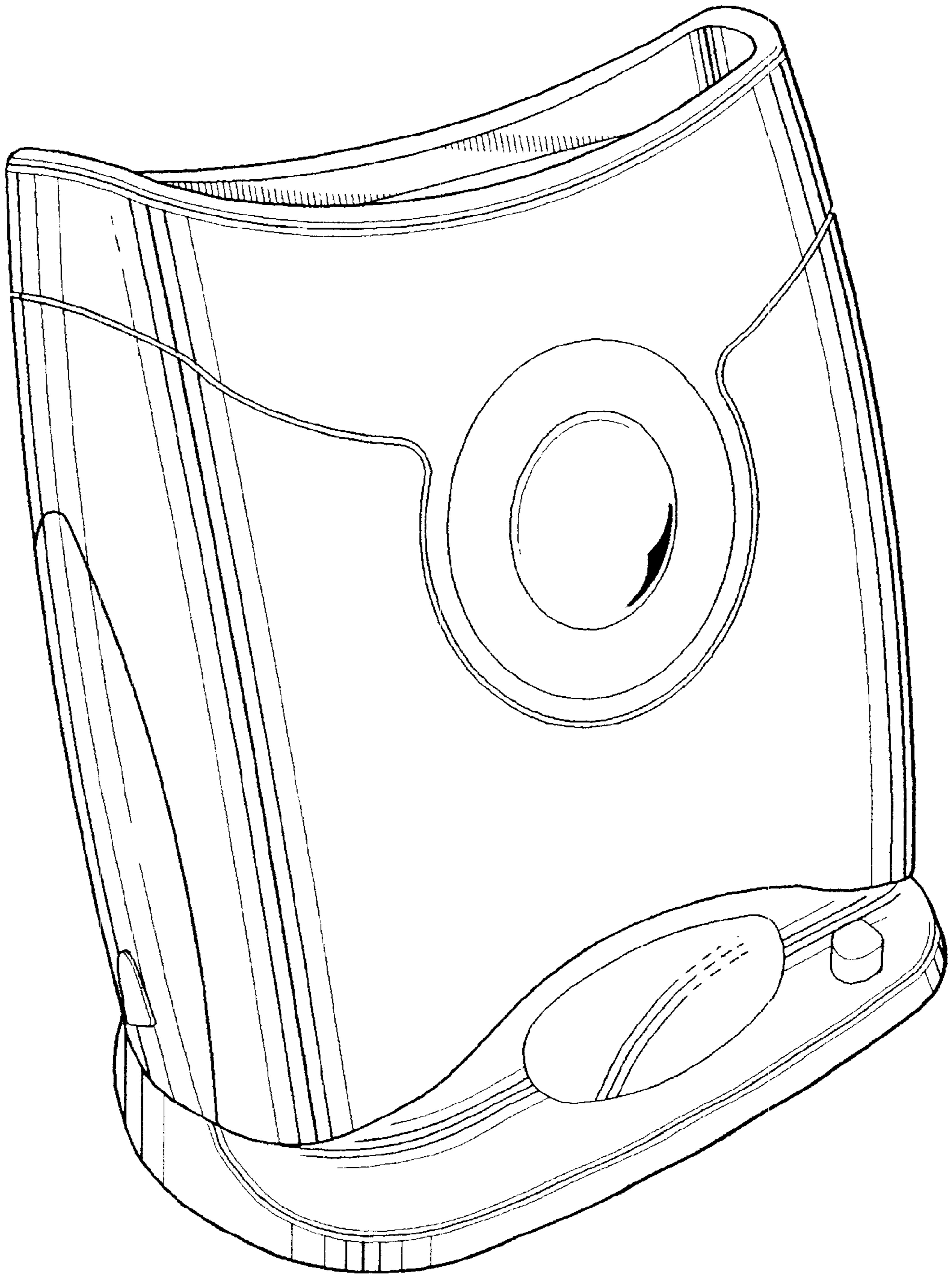


FIG. 1

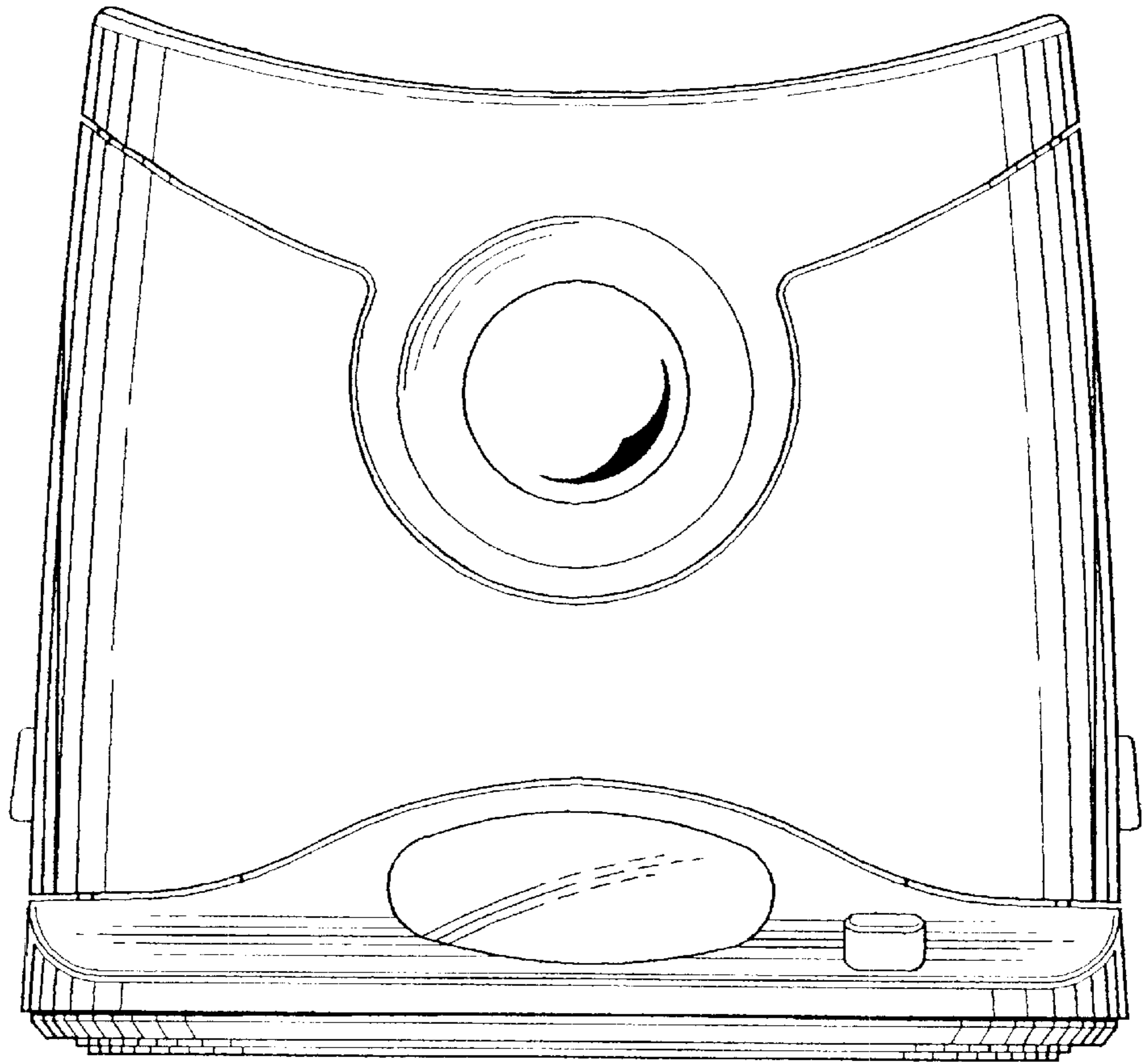


FIG. 2

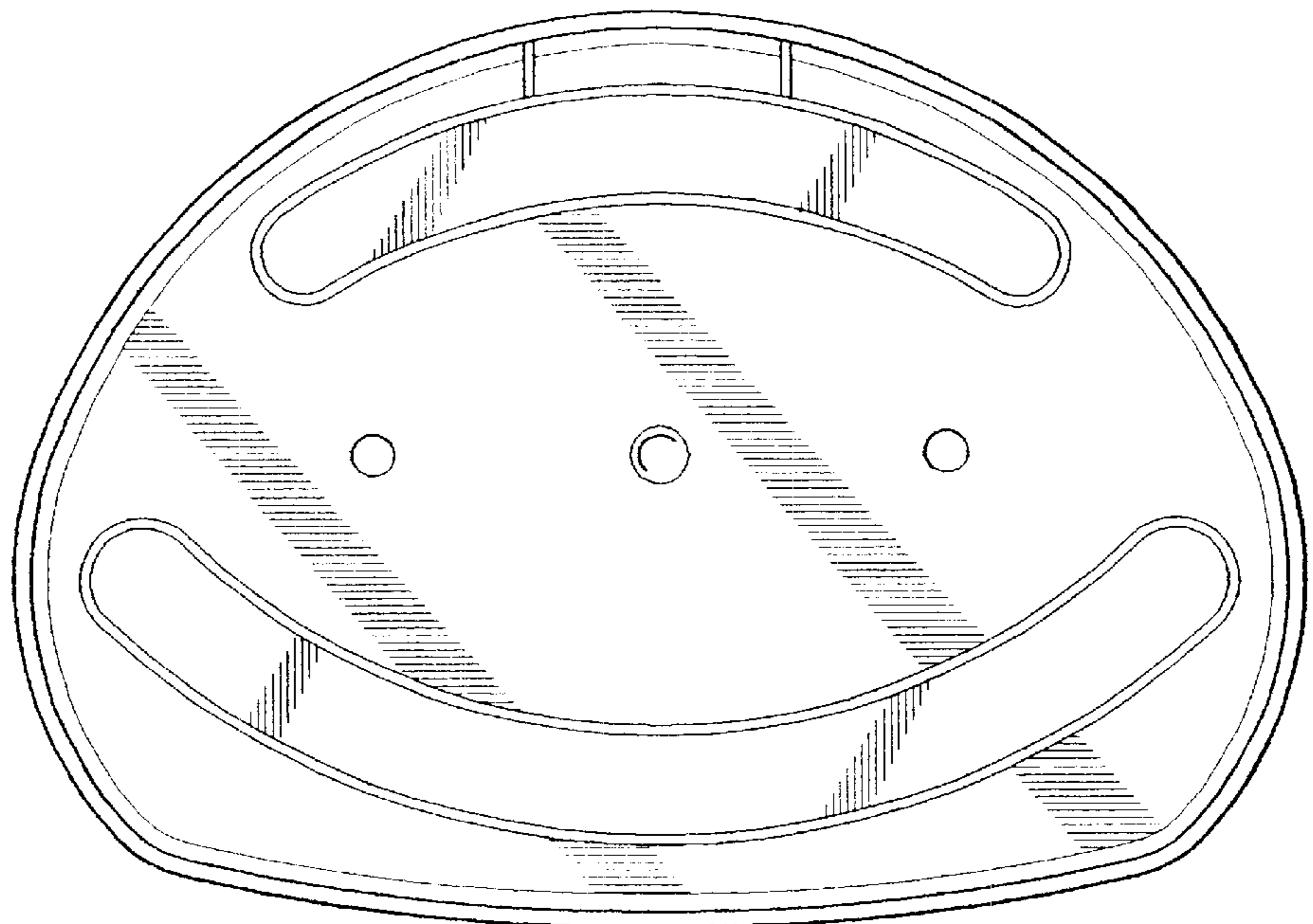


FIG. 12



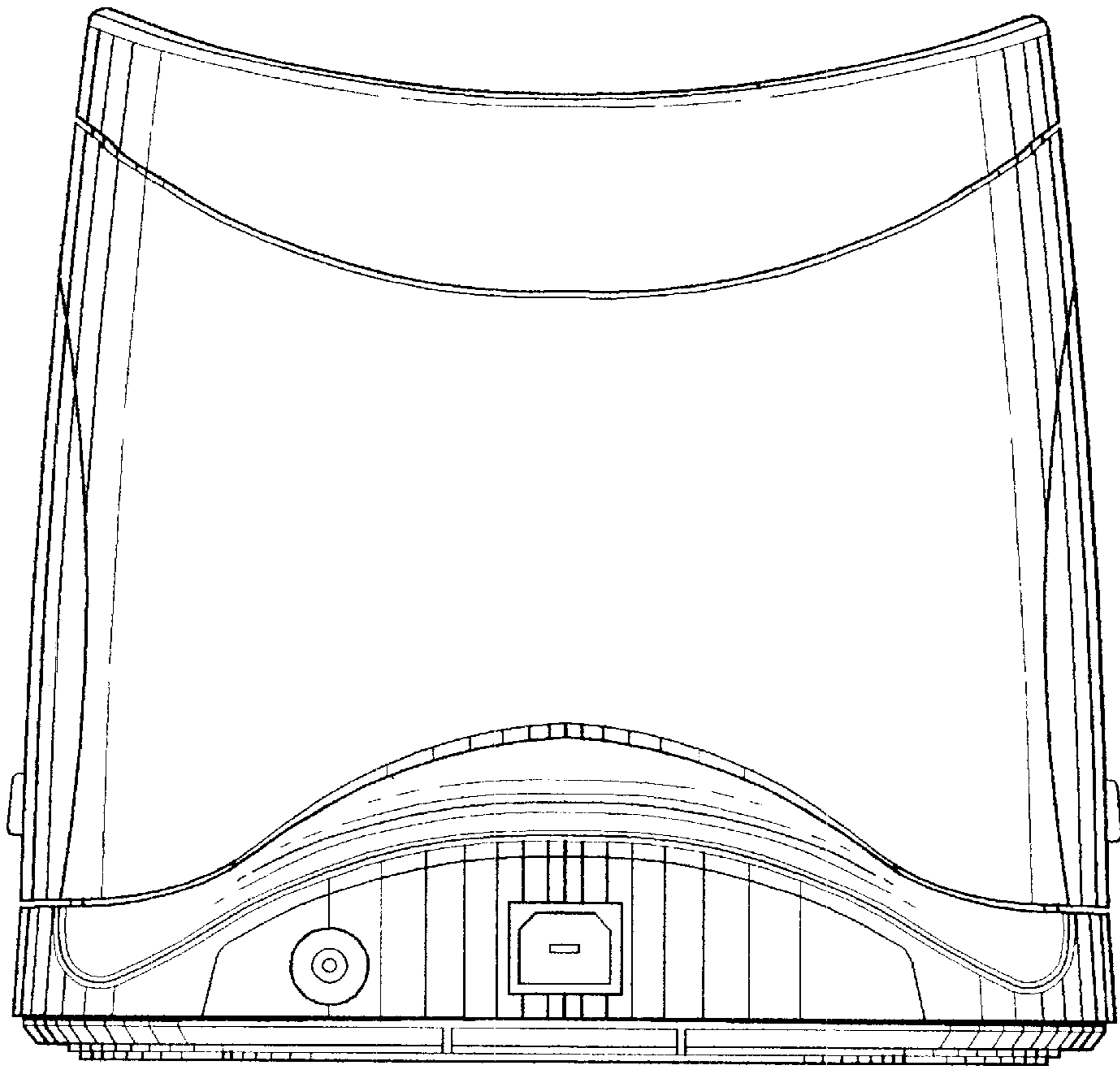


FIG. 3

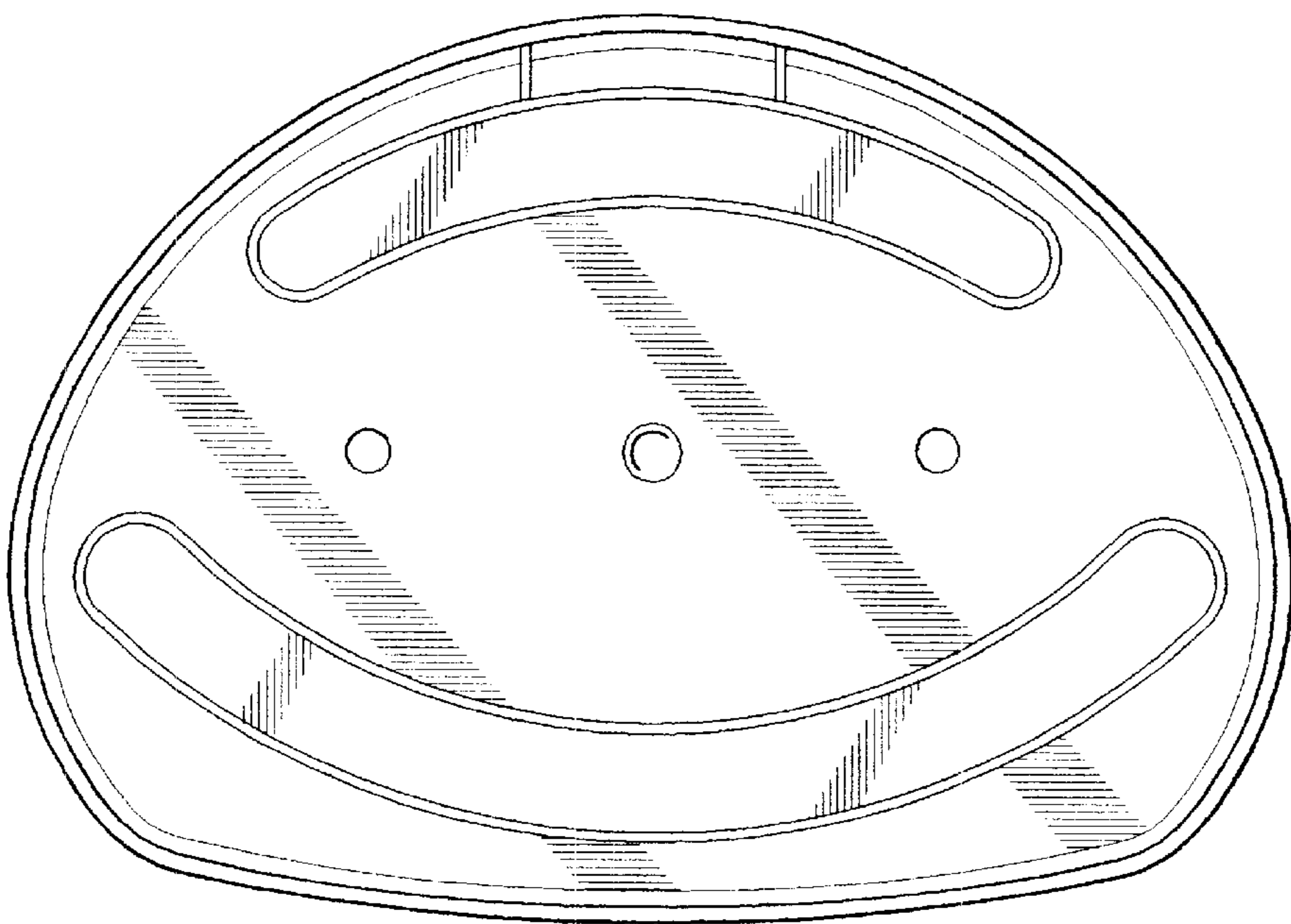


FIG. 4

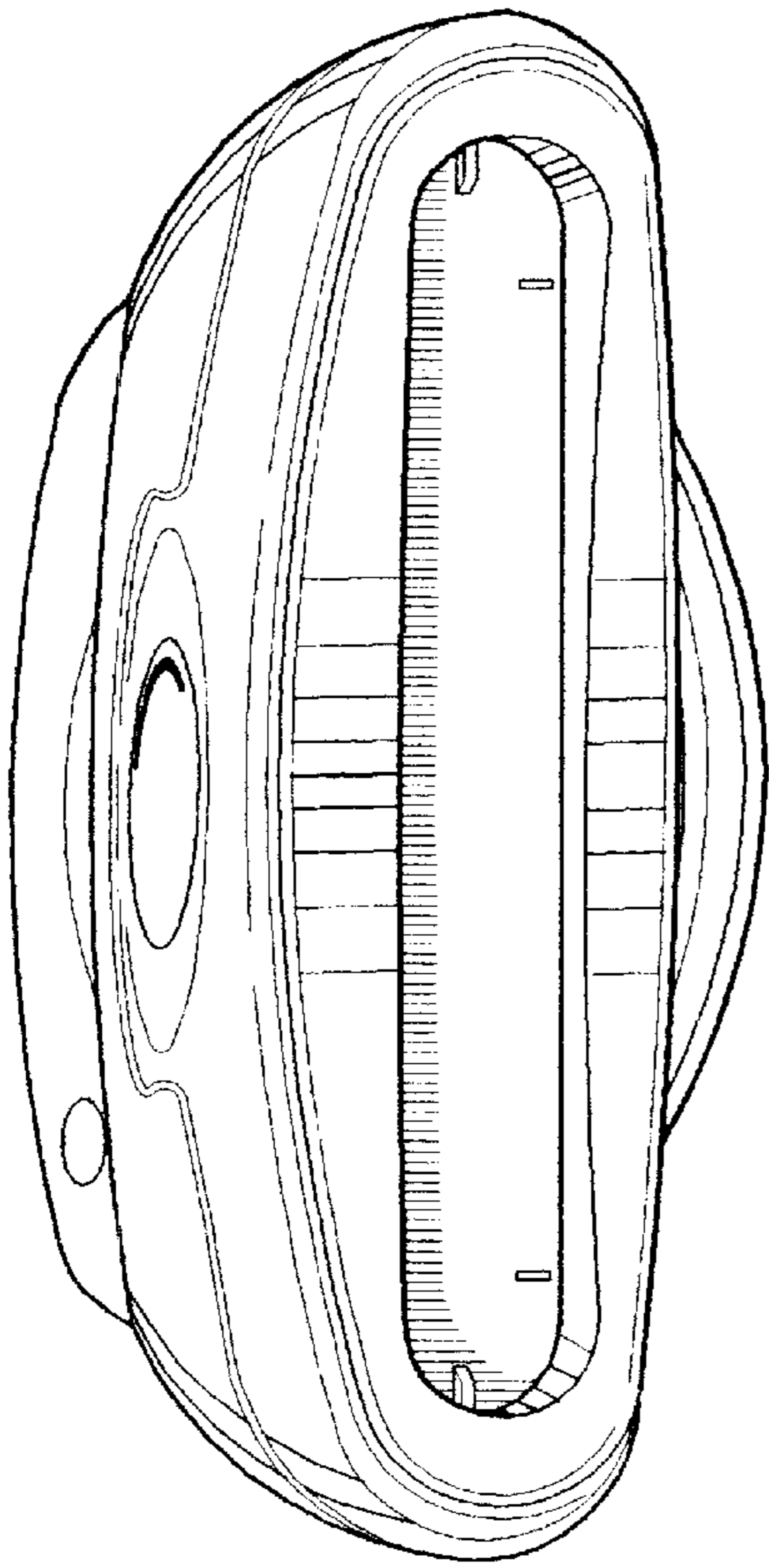


FIG. 5

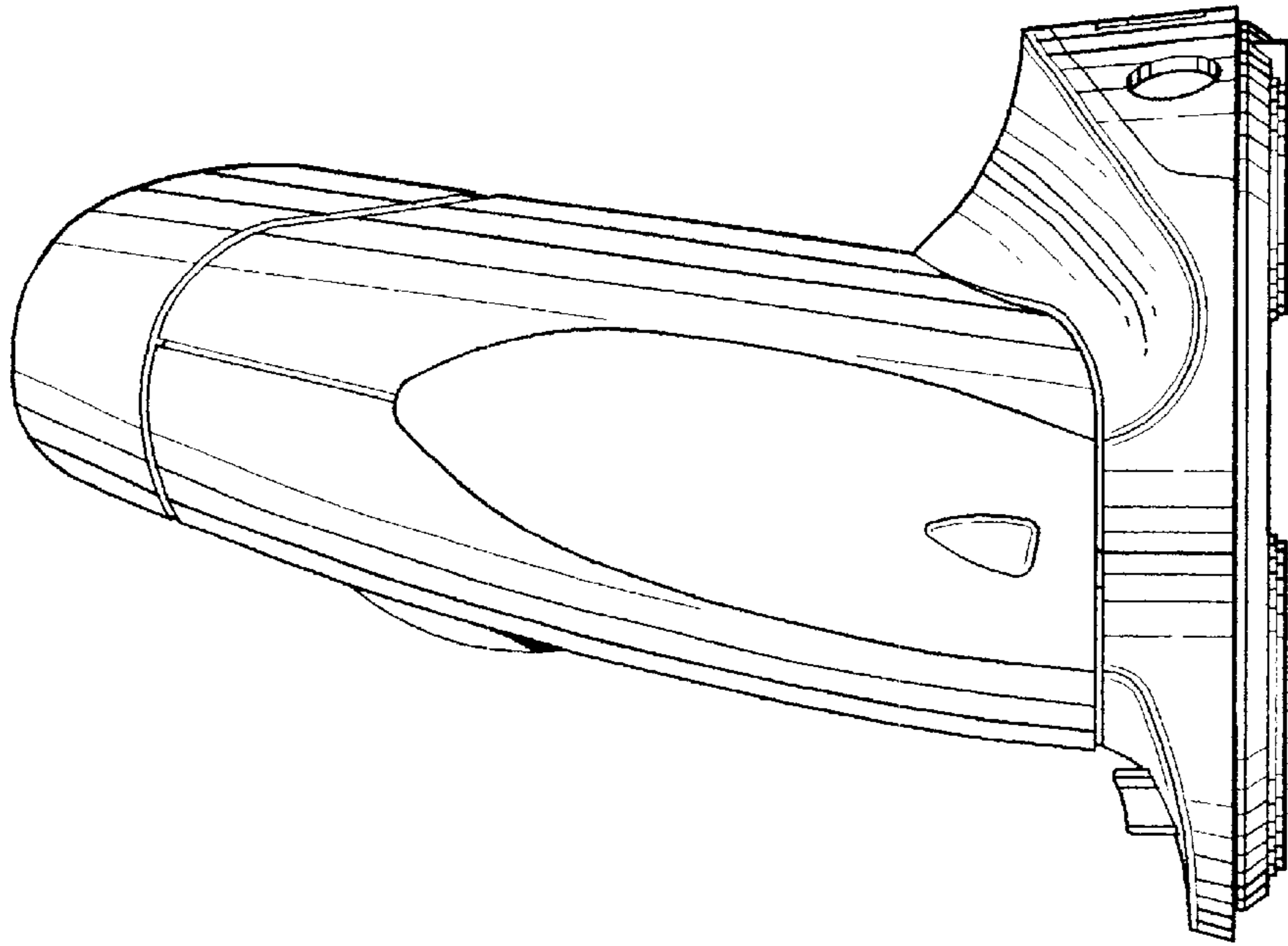


FIG. 6

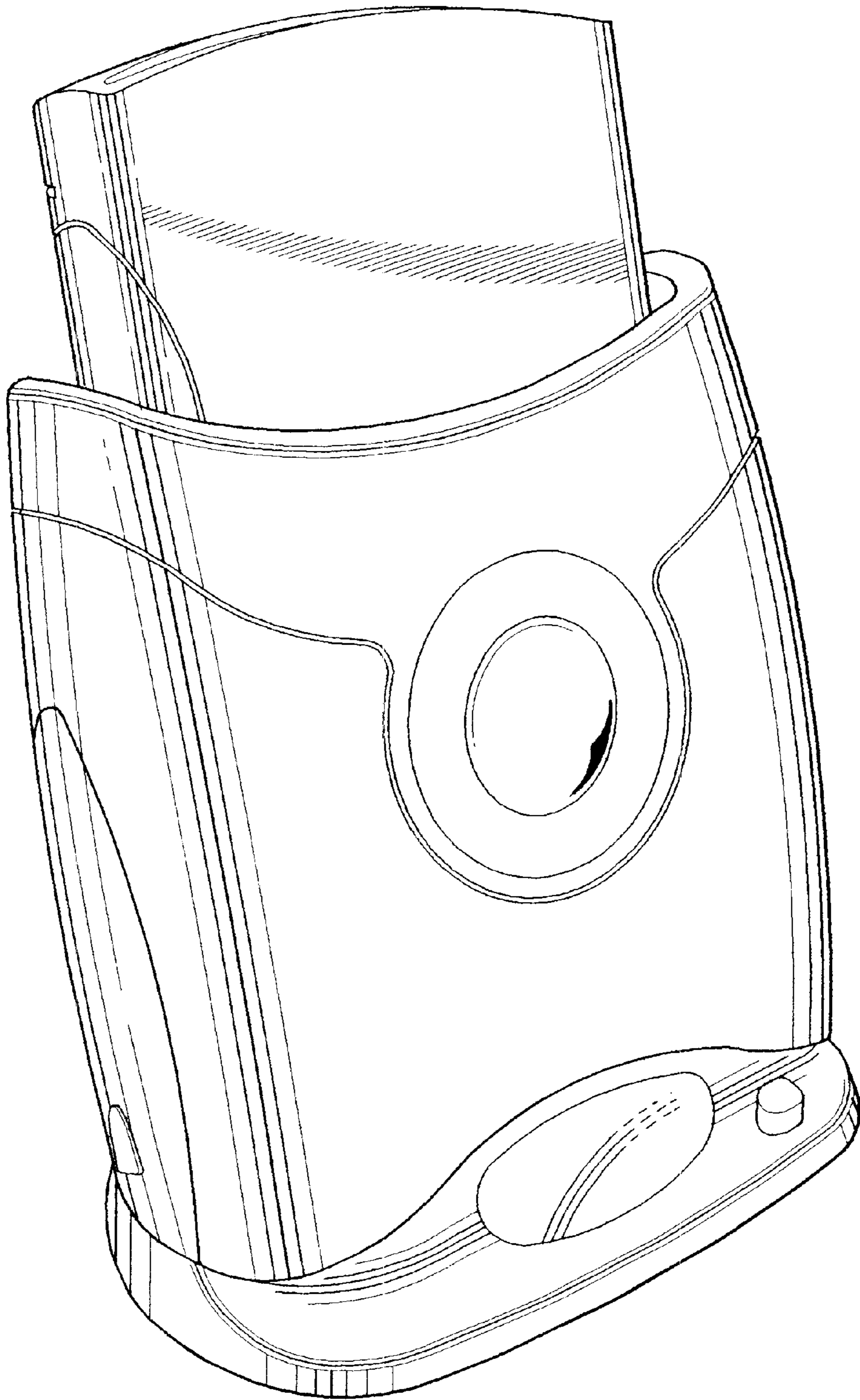


FIG. 7

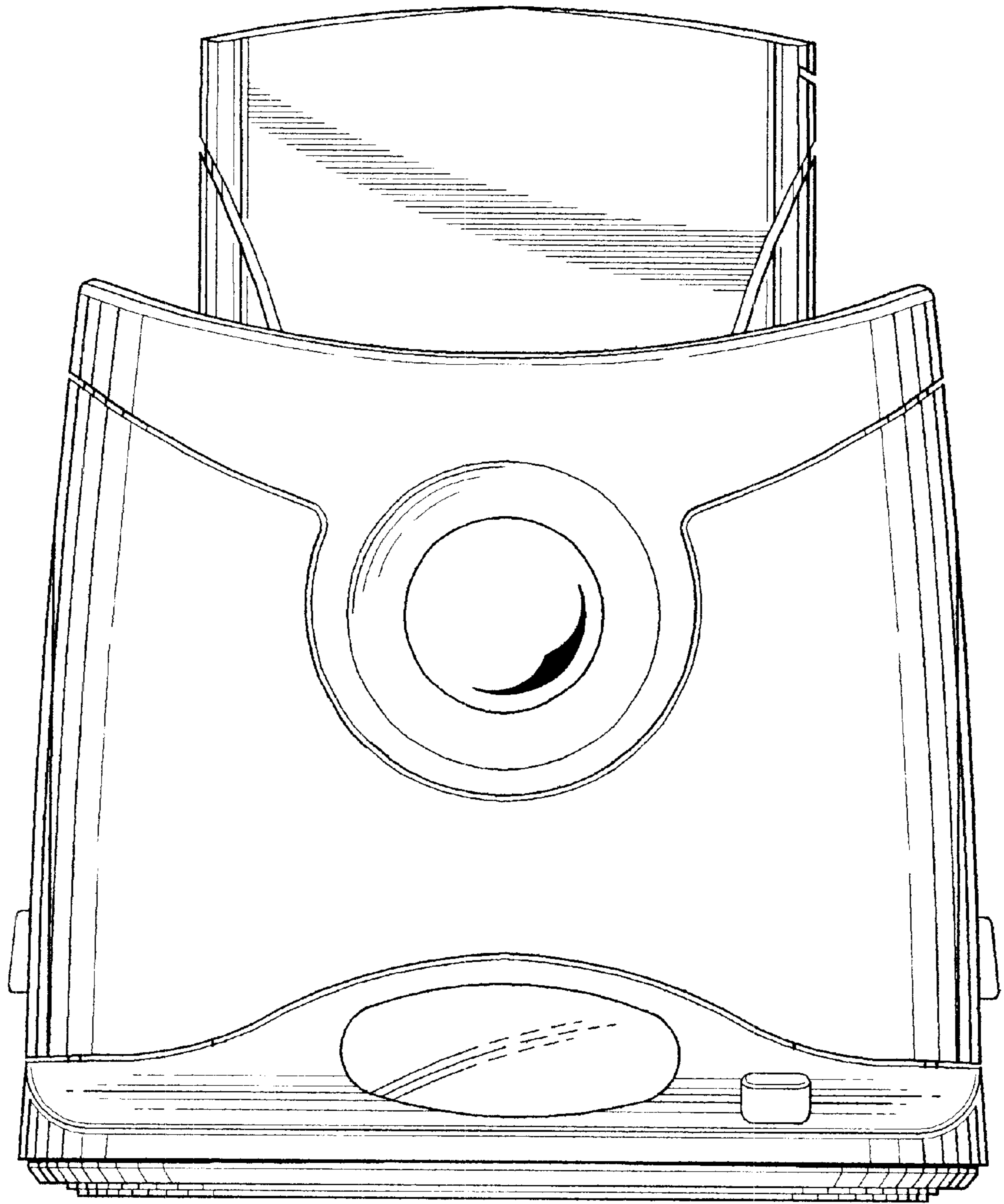


FIG. 8







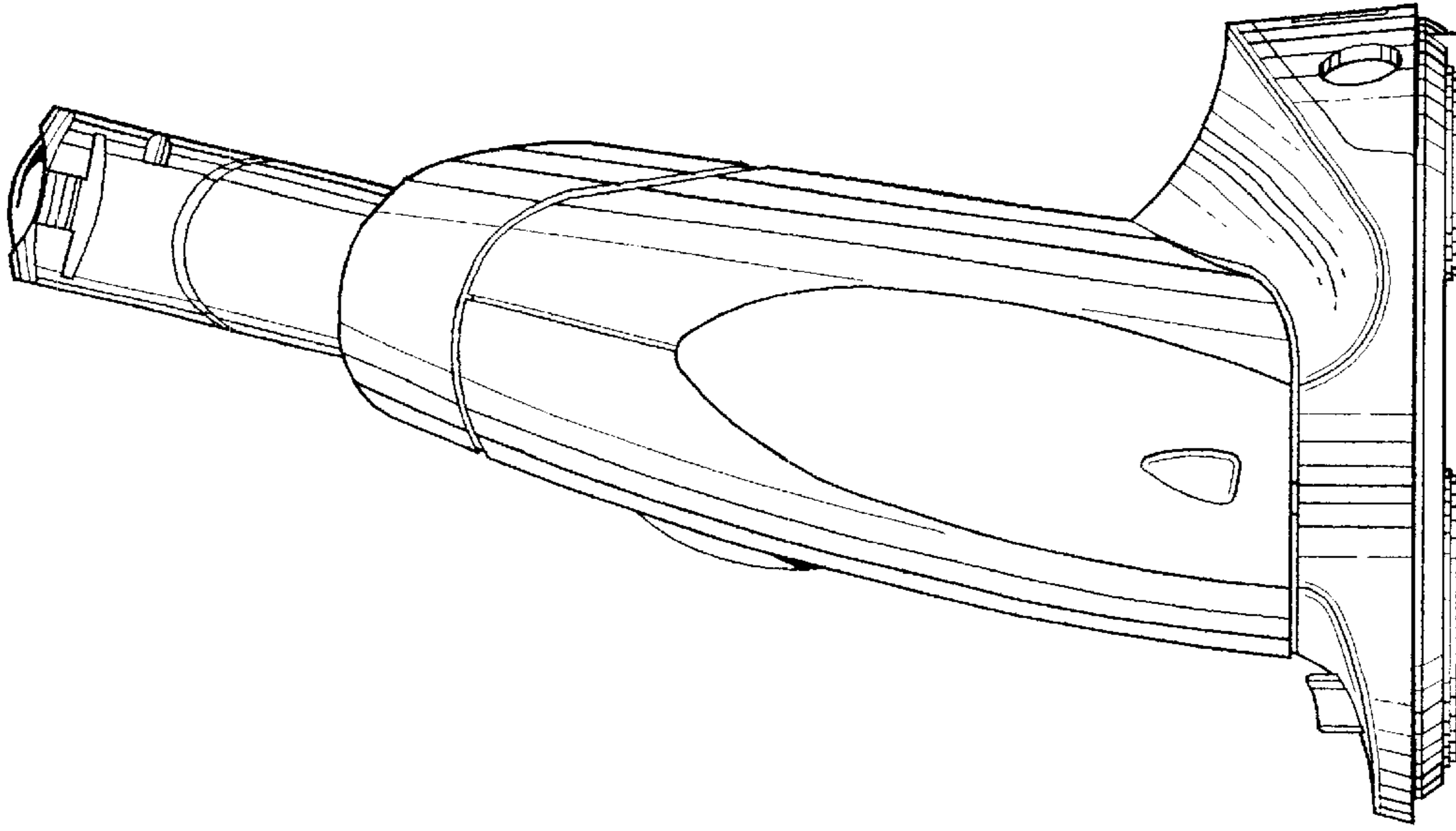


FIG. 11

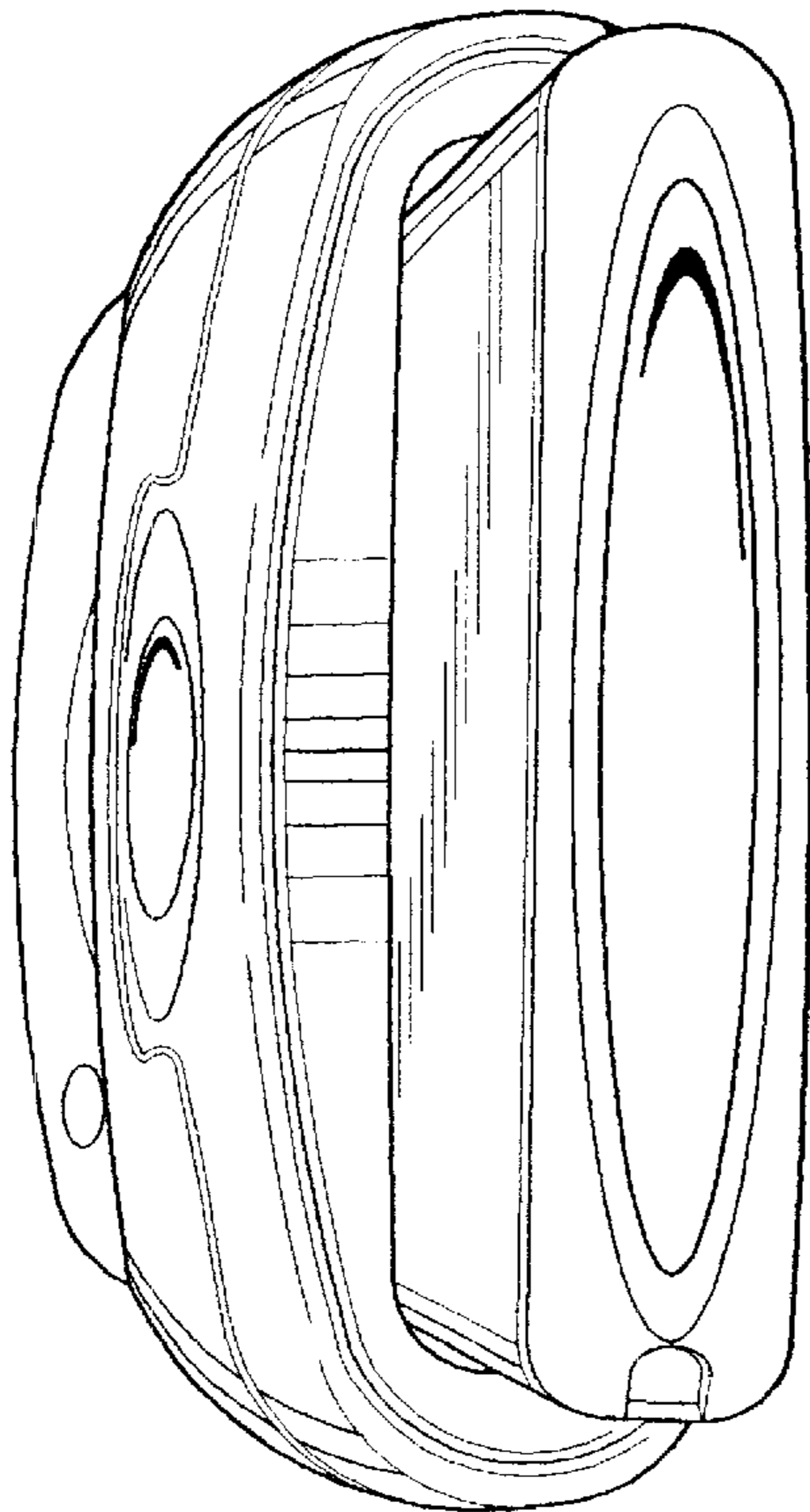


FIG. 10