



US00D460435S

(12) **United States Design Patent**
Carbone

(10) **Patent No.:** **US D460,435 S**

(45) **Date of Patent:** **** Jul. 16, 2002**

(54) **MUSIC CENTER**

(75) Inventor: **Richard J. Carbone**, Sterling, MA
(US)

(73) Assignee: **Bose Corporation**, Framingham, MA
(US)

(**) Term: **14 Years**

(21) Appl. No.: **29/143,926**

(22) Filed: **Jun. 21, 2001**

(51) **LOC (7) Cl.** **14-03**

(52) **U.S. Cl.** **D14/188**

(58) **Field of Search** D14/135-136,
D14/156-157, 160-165, 167-168, 188,
193-198; 381/86, 120; 455/344, 347-351

(56) **References Cited**

U.S. PATENT DOCUMENTS

D322,252 S * 12/1991 Tanaka D14/188
D327,072 S * 6/1992 Christie D14/188

D340,710 S * 10/1993 Ansai et al. D14/137
D343,394 S * 1/1994 Kakizaki D14/188
5,285,500 A * 2/1994 Mantz 455/346
D416,904 S * 11/1999 Rabbani D14/188

* cited by examiner

Primary Examiner—Nanda Bondade

(74) *Attorney, Agent, or Firm*—Fish & Richardson P.C.

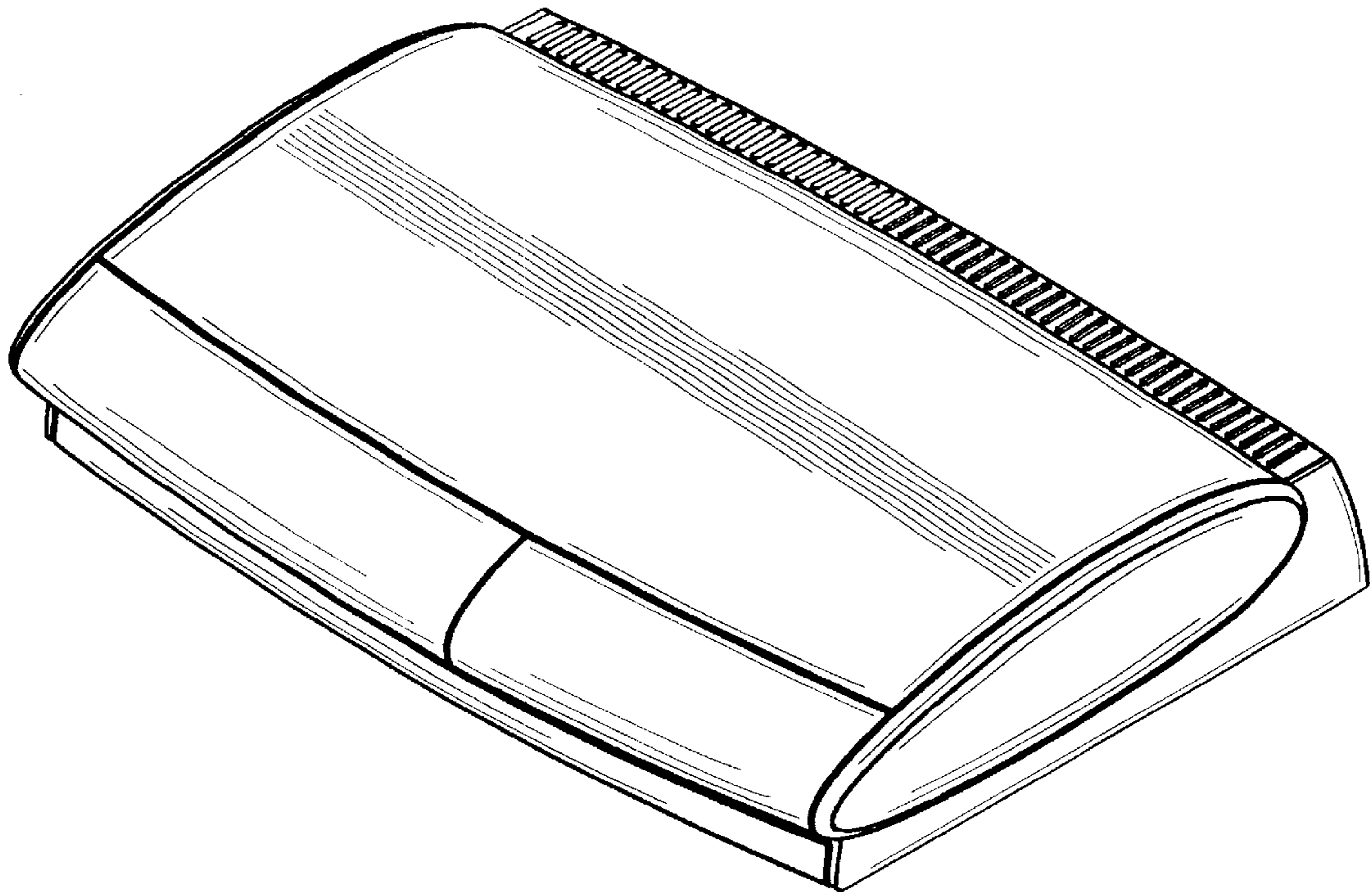
(57) **CLAIM**

The ornamental design for a music center, substantially as shown and described.

DESCRIPTION

FIG. 1 is an isometric view of the music center;
FIG. 2 is a front view of the music center;
FIG. 3 is a rear view of the music center;
FIG. 4 is a left side view of the music center;
FIG. 5 is a right side view of the music center;
FIG. 6 is a top plan view of the music center; and,
FIG. 7 is a bottom plan view of the music center.

1 Claim, 3 Drawing Sheets



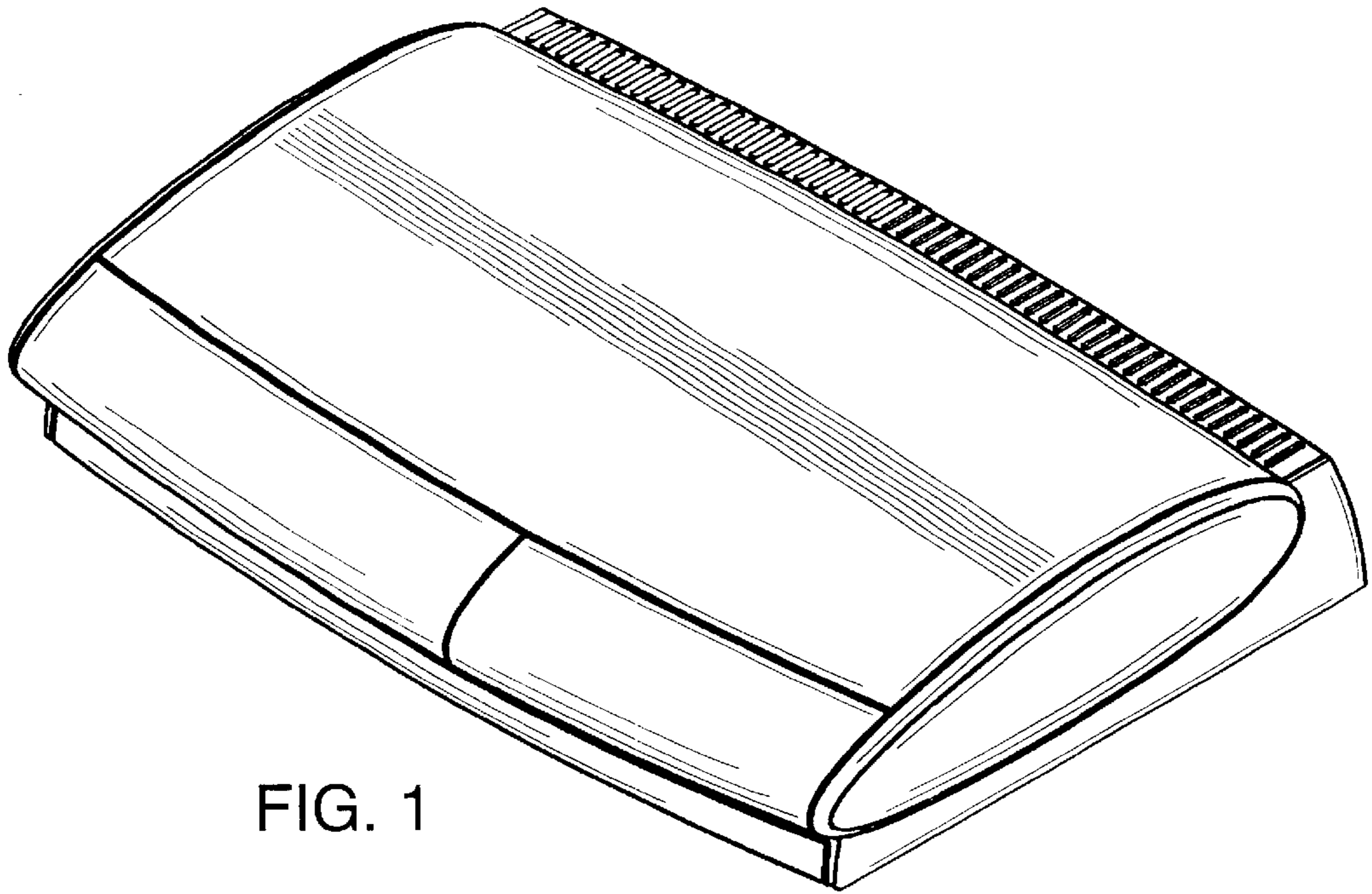


FIG. 1

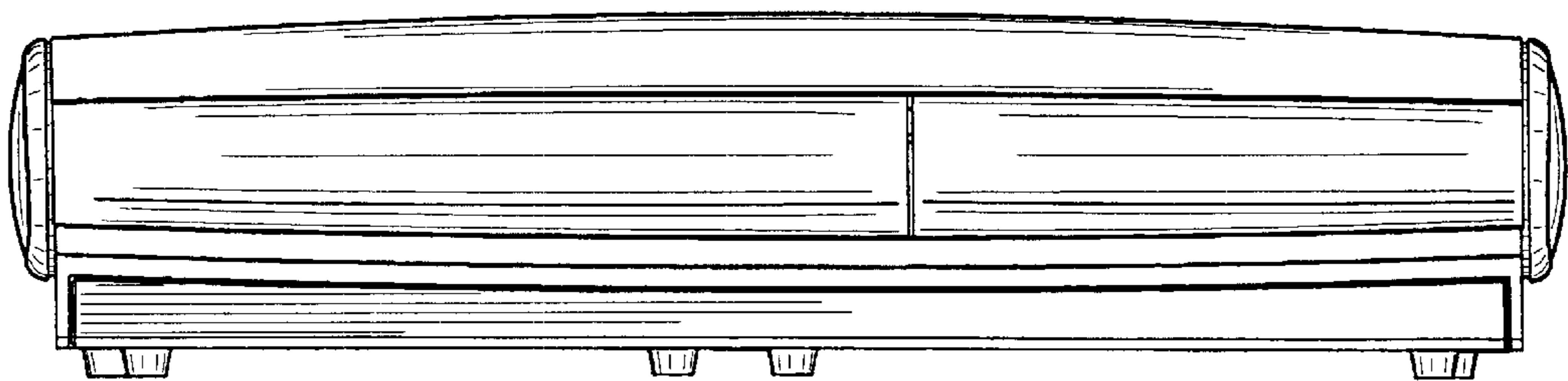


FIG. 2

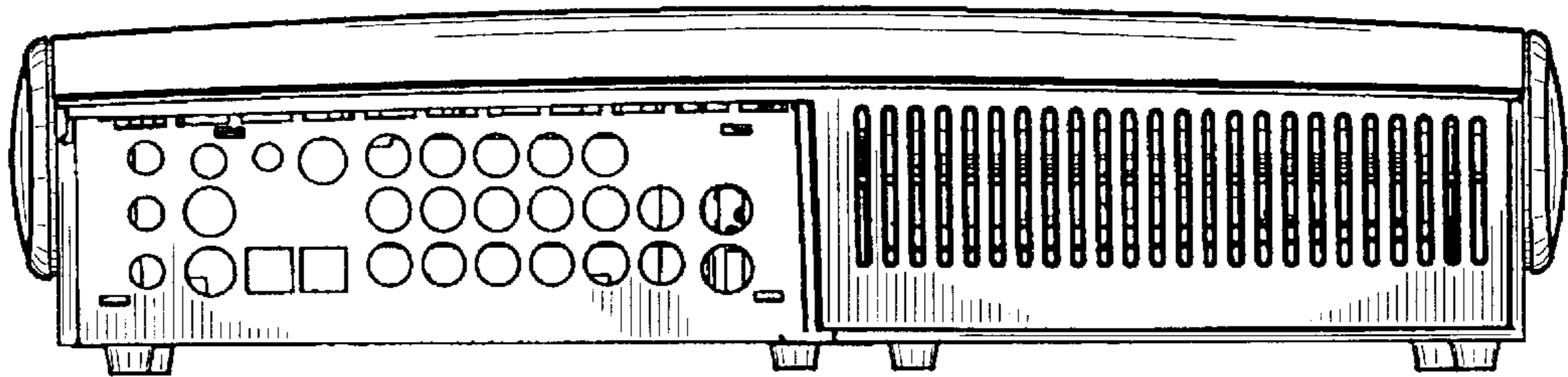


FIG. 3

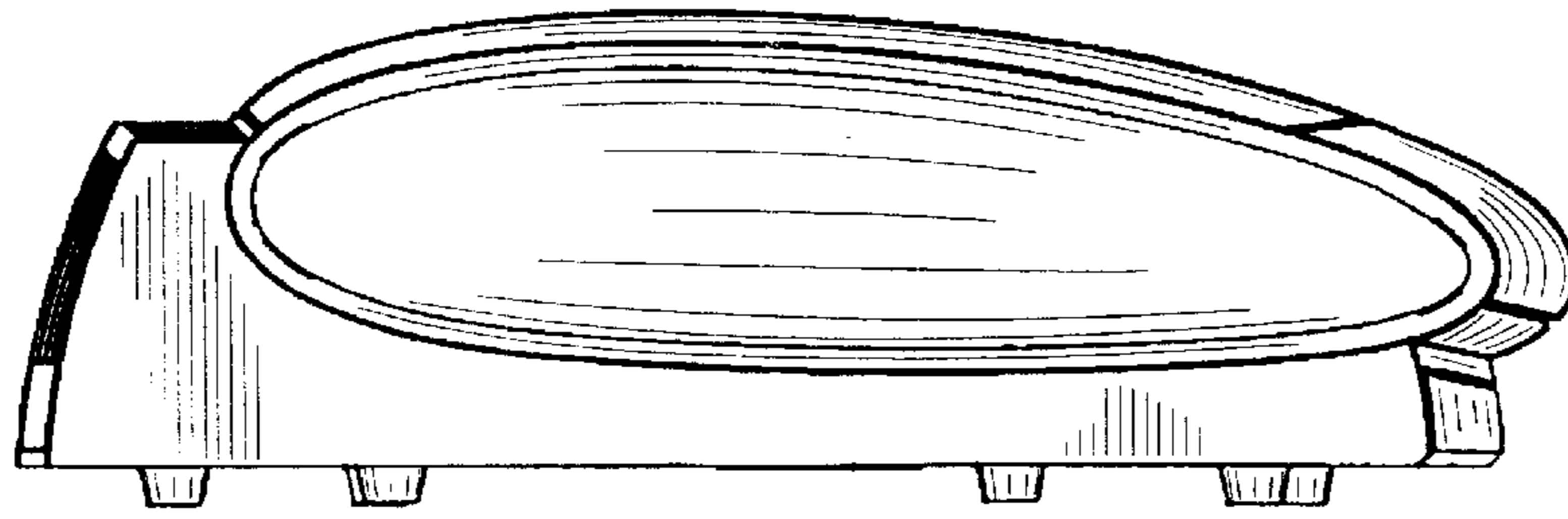


FIG. 4

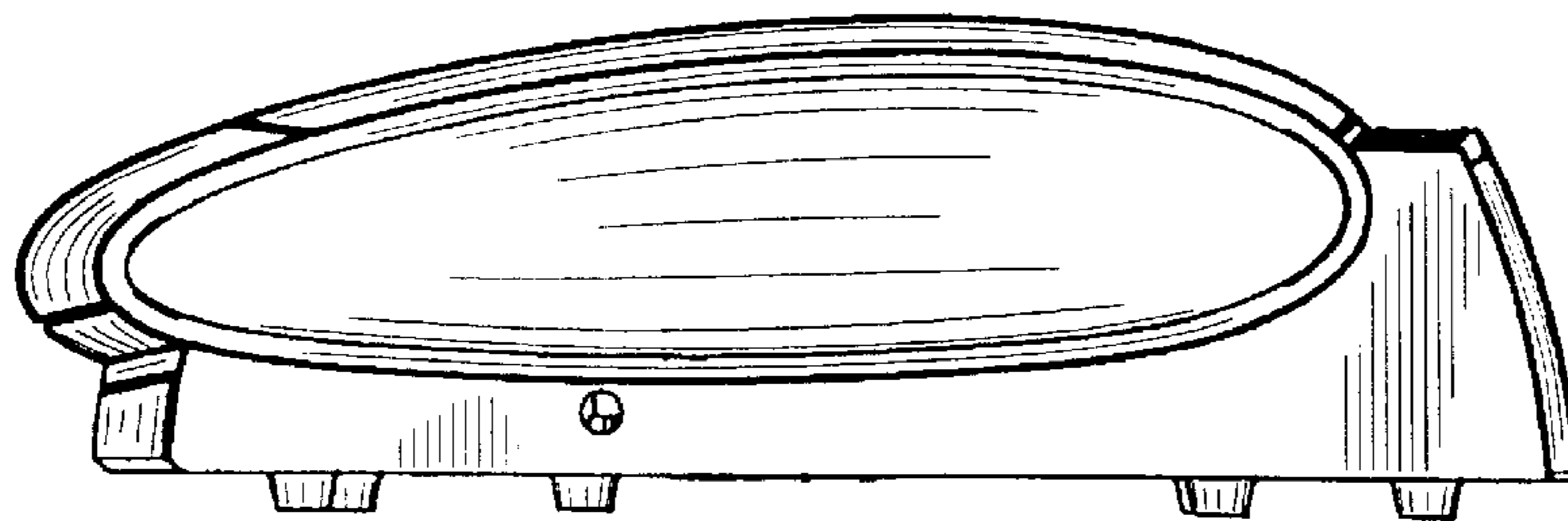


FIG. 5

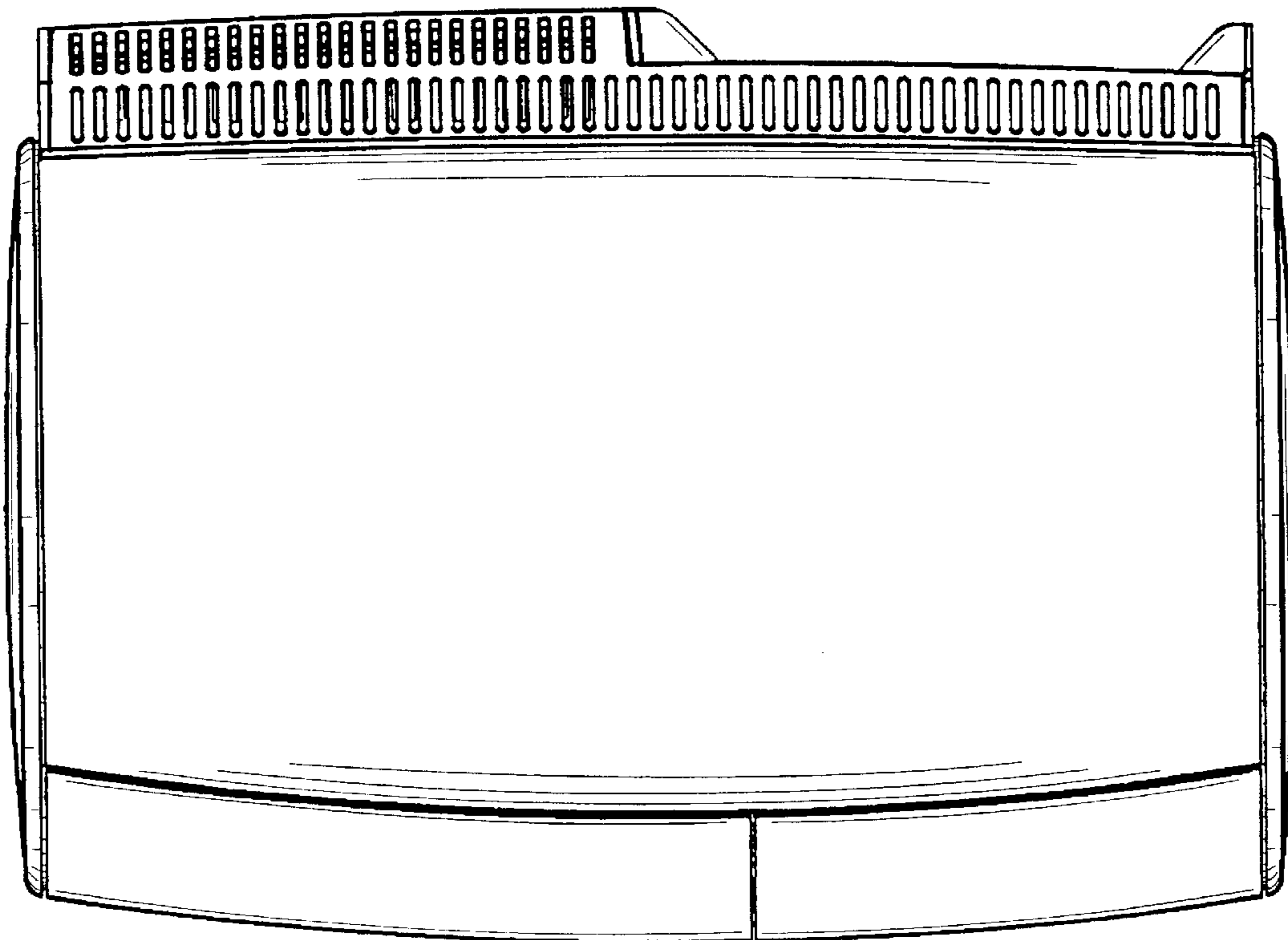


FIG. 6

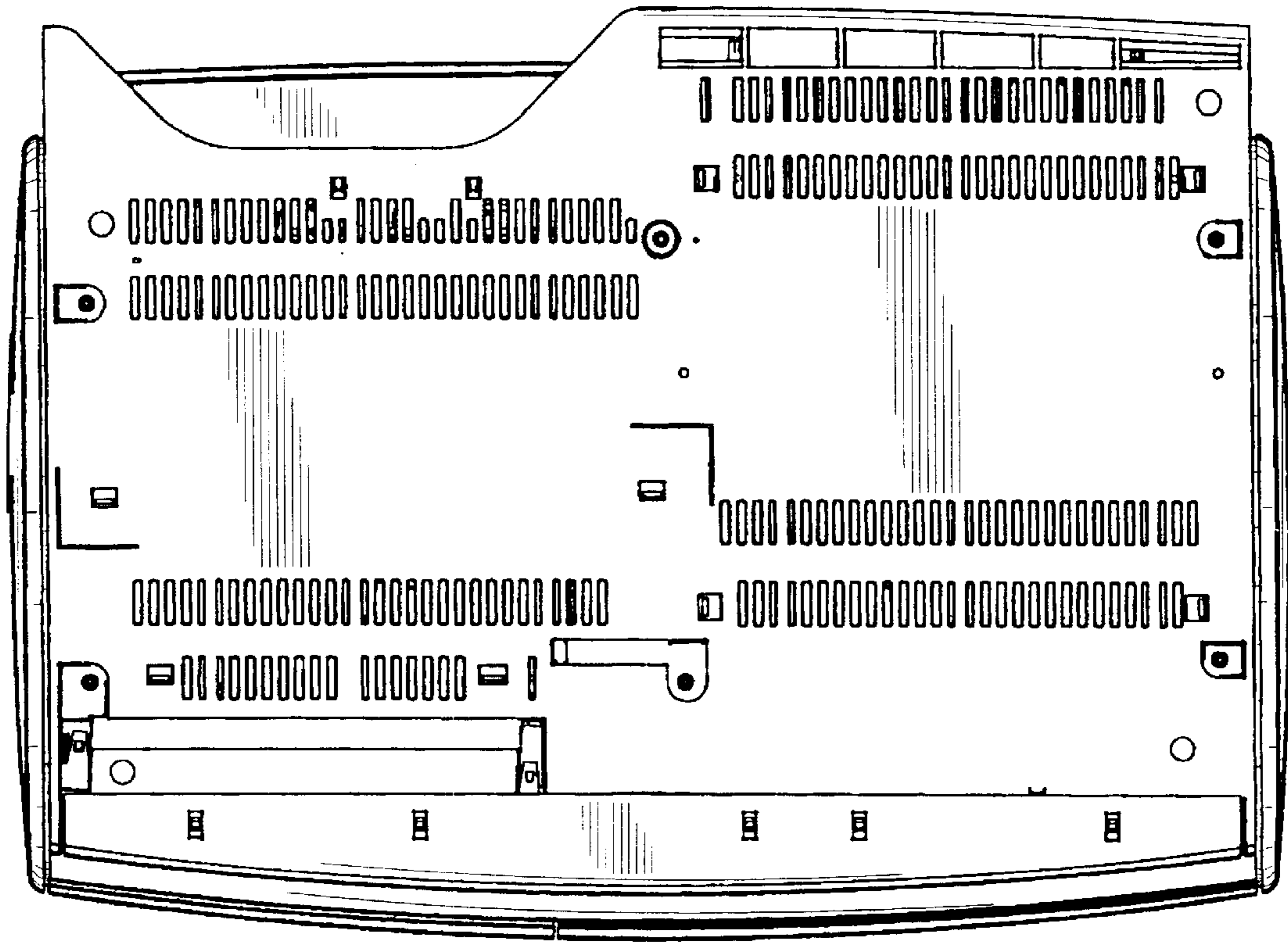


FIG. 7