



US00D460432S

(12) **United States Design Patent**
Brown

(10) **Patent No.:** **US D460,432 S**

(45) **Date of Patent:** **** Jul. 16, 2002**

(54) **PORTABLE MP3 MUSIC PLAYER**

(75) Inventor: **Frank T. Brown**, Beaverton, OR (US)

(73) Assignee: **Intel Corporation**, Santa Clara, CA (US)

(**) Term: **14 Years**

(21) Appl. No.: **29/135,692**

(22) Filed: **Jan. 16, 2001**

(51) **LOC (7) Cl.** **14-01**

(52) **U.S. Cl.** **D14/156; D14/192**

(58) **Field of Search** D14/135, 136, D14/156, 157, 160, 167, 168, 192, 188-189; 369/75.1, 75.2, 77.1, 77.2, 72; 446/408

(56) **References Cited**

U.S. PATENT DOCUMENTS

3,871,112	A	*	3/1975	Licitis	446/408
5,334,254	A	*	8/1994	Gelard et al.	369/72
D413,889	S	*	9/1999	Nakano	D14/167
D420,002	S	*	2/2000	Arcos	D14/189

* cited by examiner

Primary Examiner—Nanda Bondade

(74) *Attorney, Agent, or Firm*—Marger Johnson & McCollom, P.C.

(57) **CLAIM**

The ornamental design for a portable MP3 music player, as shown and described.

DESCRIPTION

FIG. 1 is a perspective view of a portable MP3 music player showing my new design;

FIG. 2 is an enlarged front elevational view thereof;

FIG. 3 is a right side elevation view thereof, the left side being a mirror image of the right;

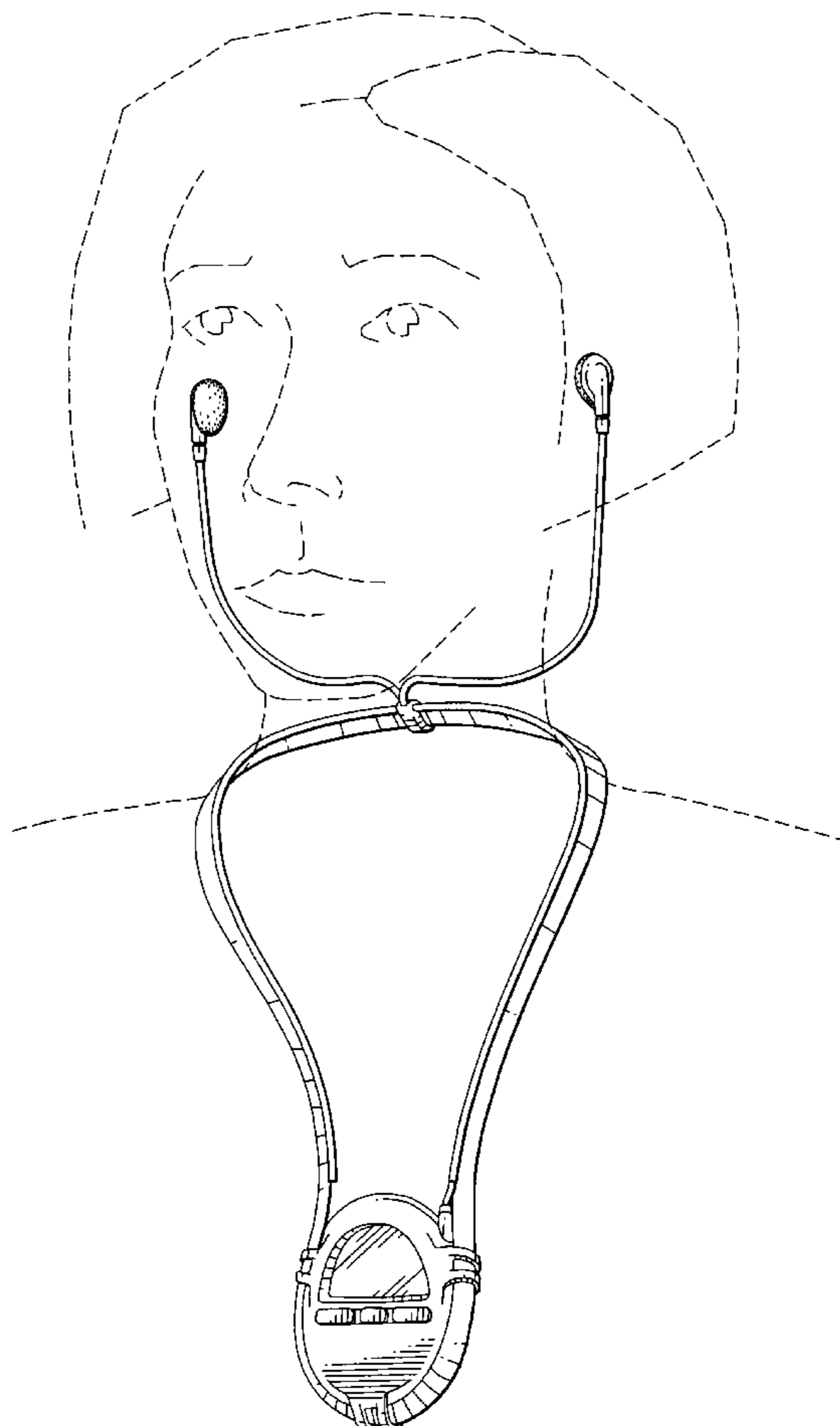
FIG. 4 is back elevation view thereof;

FIG. 5 is a top plan view thereof; and,

FIG. 6 is a bottom plan view thereof.

The broken lines in FIG. 1 are for illustrative purposes only, are solely intended to show the environment in which the invention is used, and form no part of the claimed design.

1 Claim, 5 Drawing Sheets



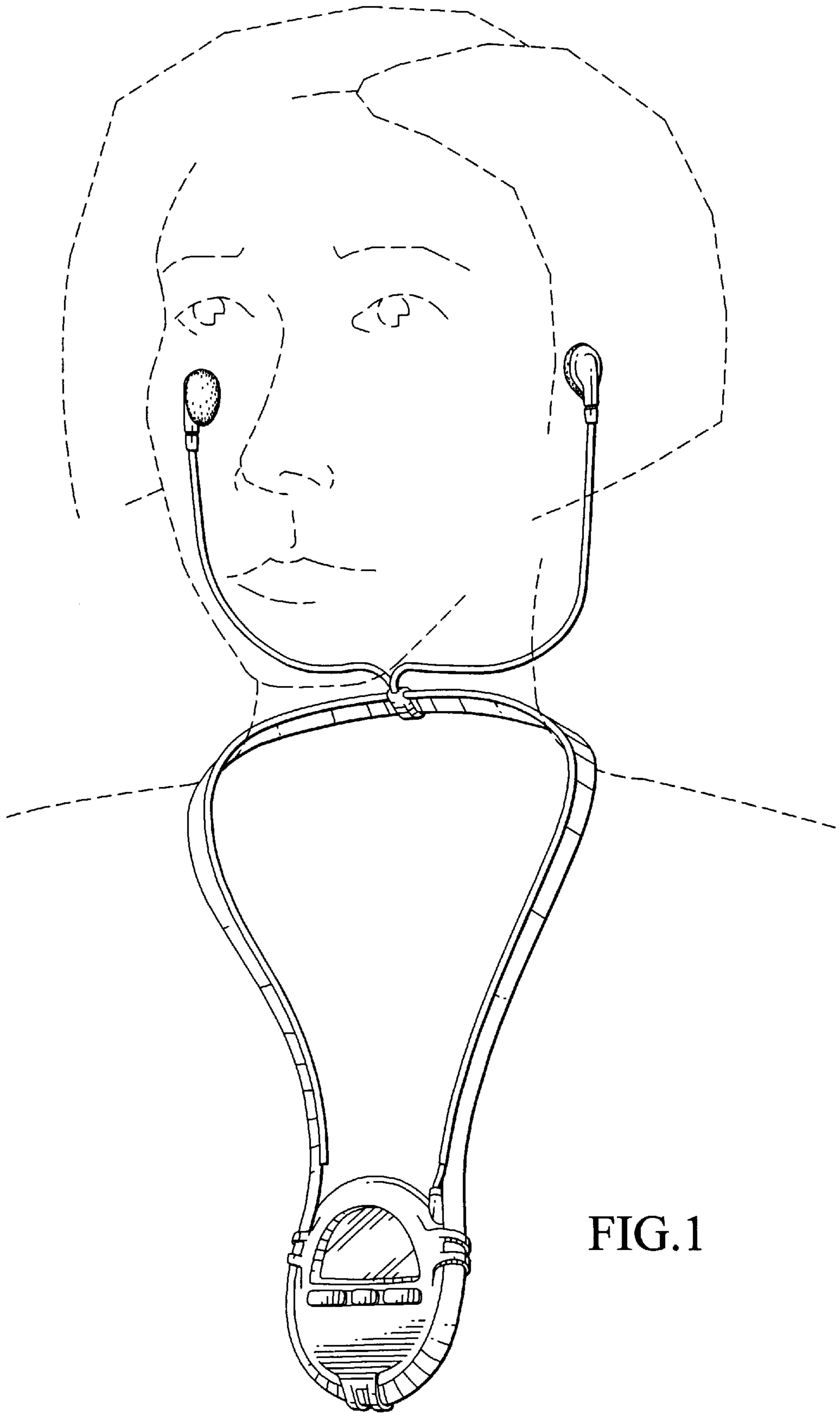


FIG. 1

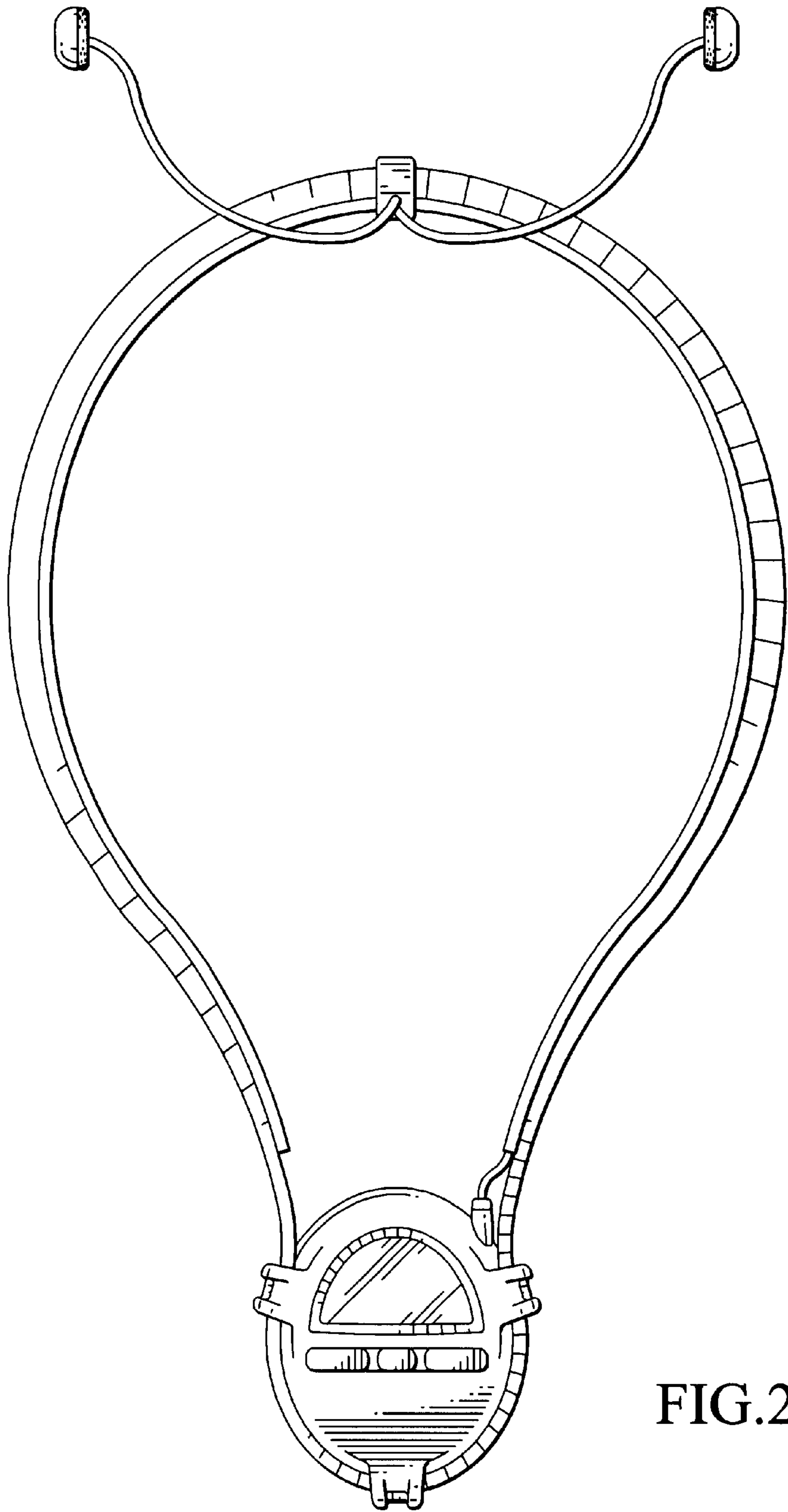


FIG. 2

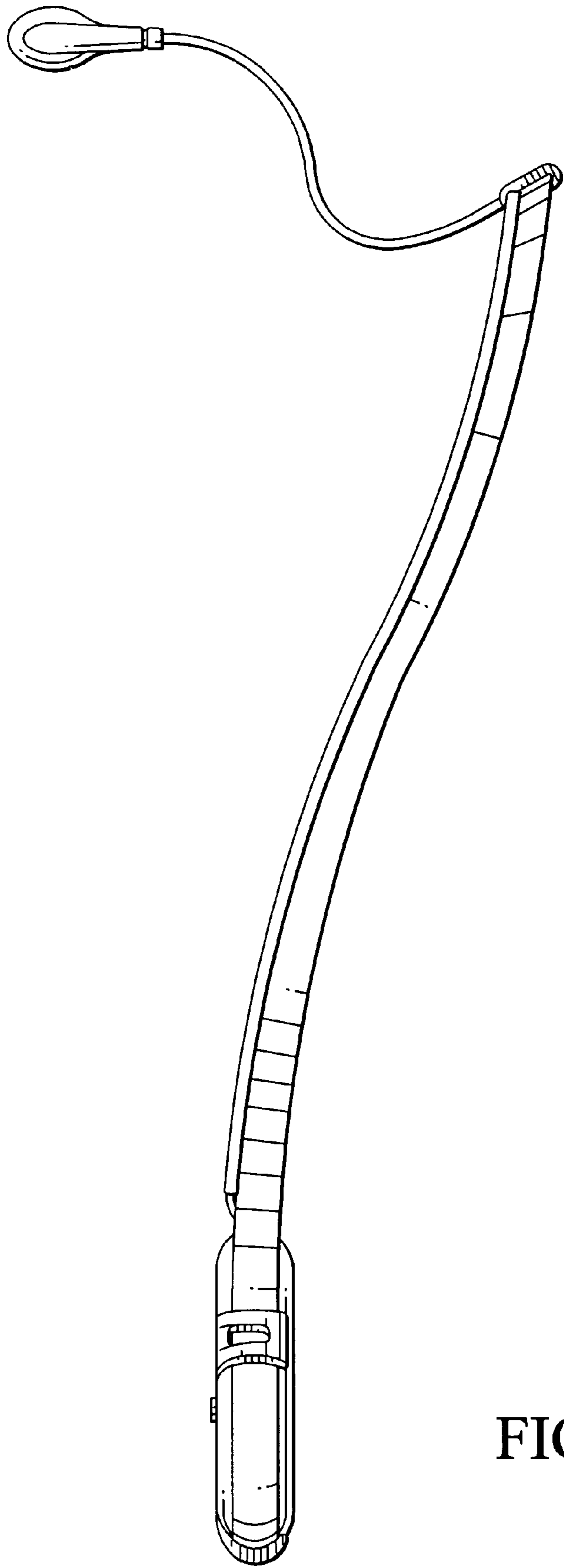


FIG.3

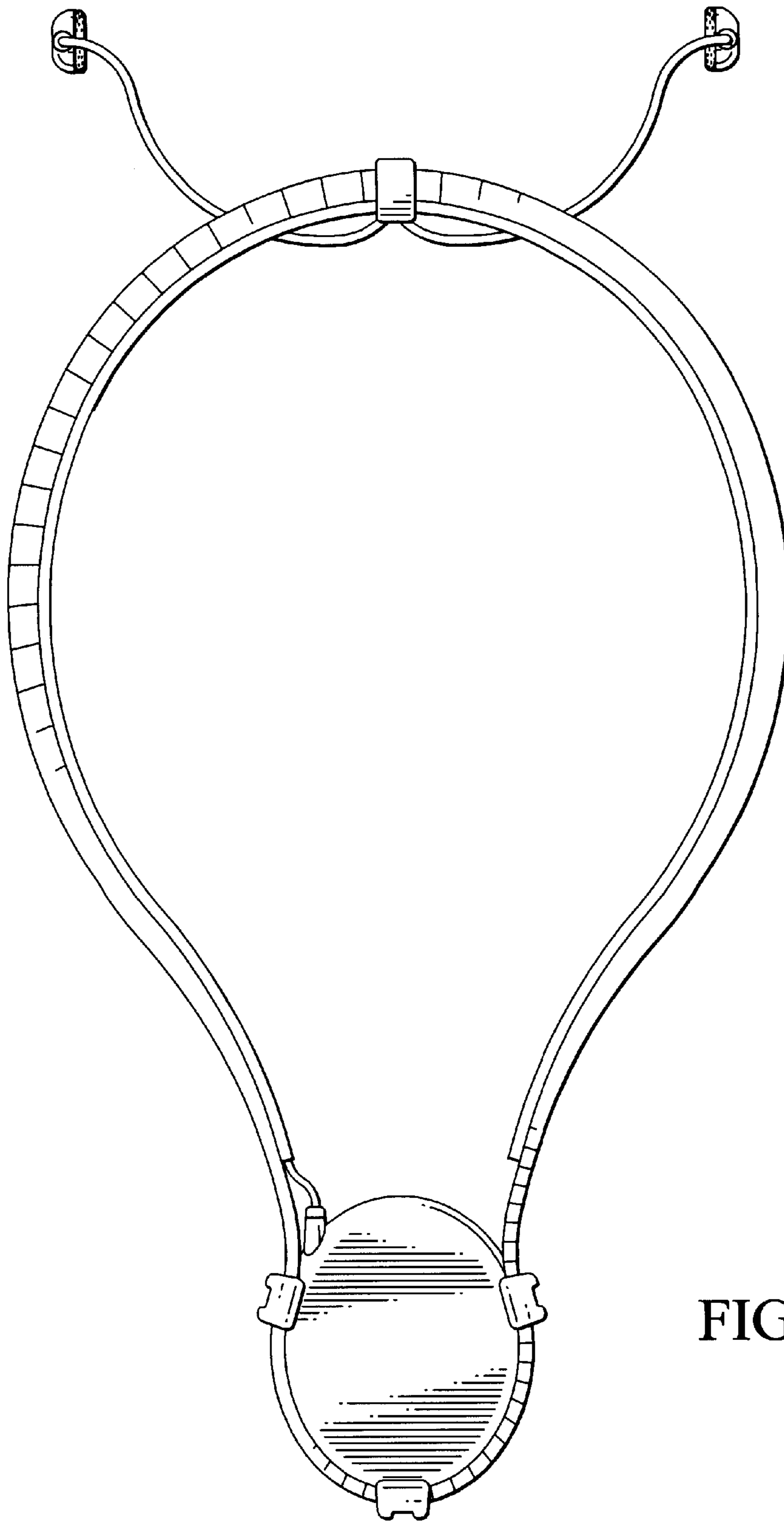


FIG.4

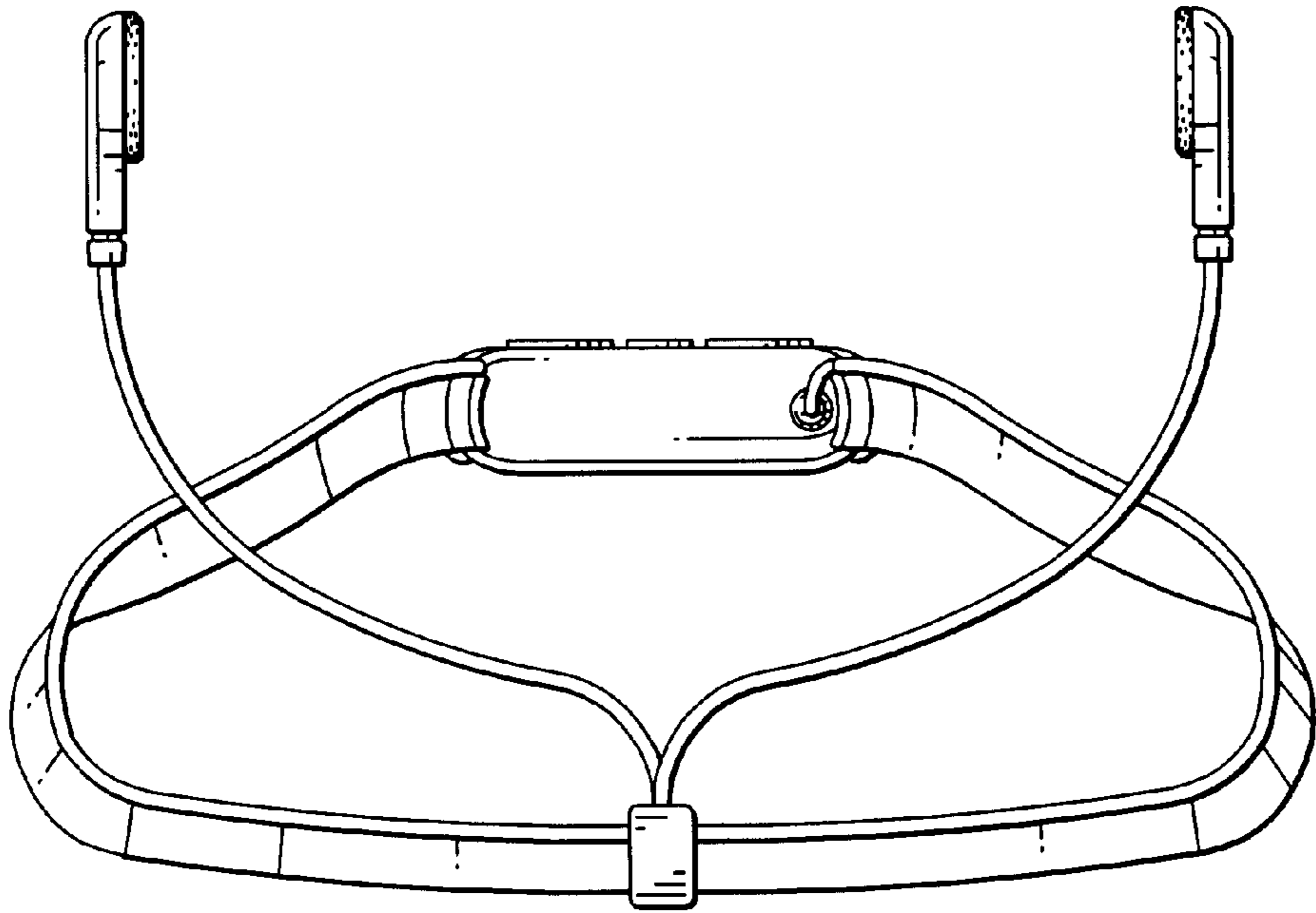


FIG. 5

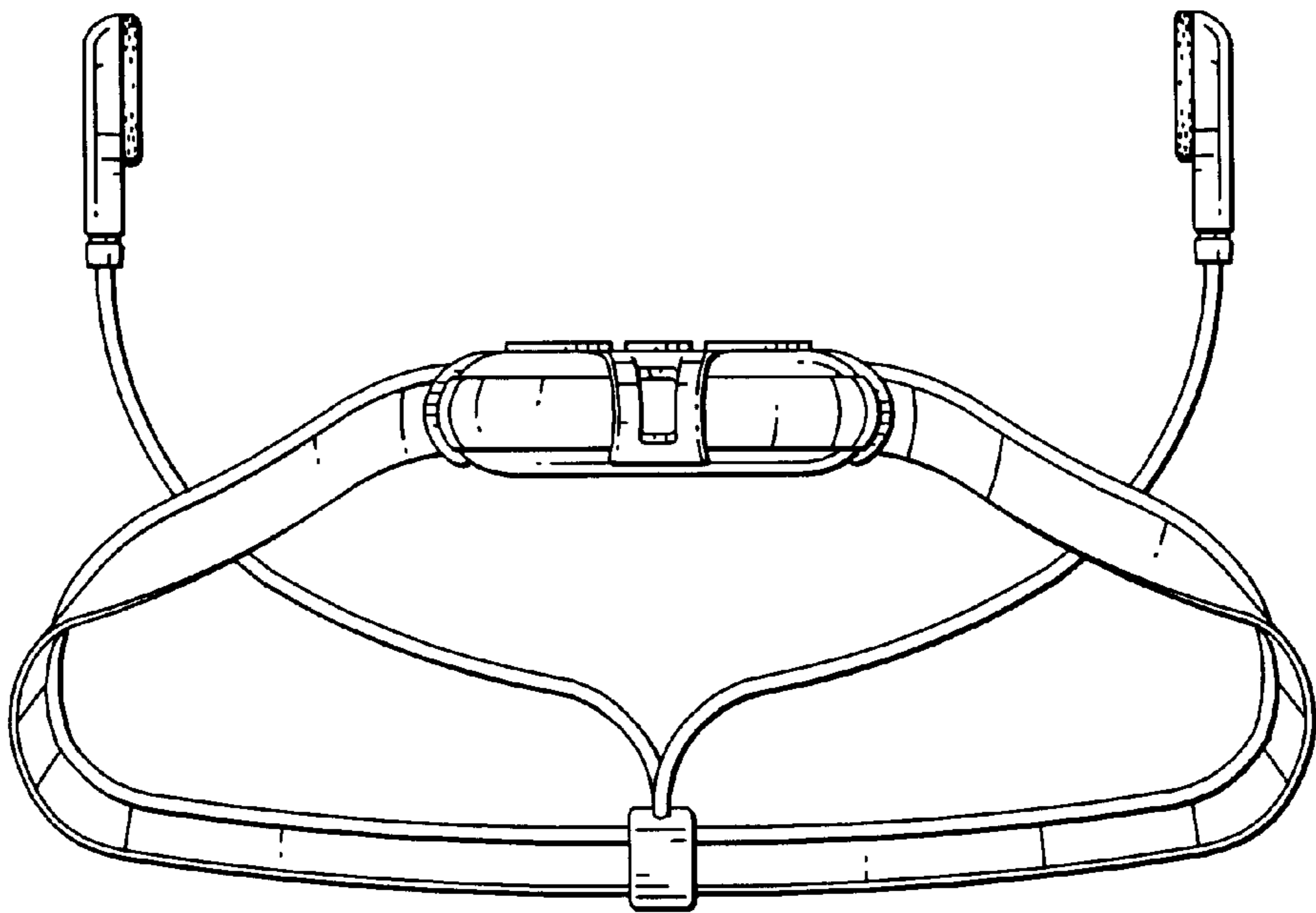


FIG. 6