



US00D460431S

(12) **United States Design Patent**
Narita

(10) **Patent No.:** **US D460,431 S**

(45) **Date of Patent:** **** Jul. 16, 2002**

(54) **ADAPTOR FOR TELEPHONE**

(75) **Inventor:** **Hisanori Narita, Tokyo (JP)**

(73) **Assignee:** **Sony Corporation, Tokyo (JP)**

(**) **Term:** **14 Years**

(21) **Appl. No.:** **29/142,137**

(22) **Filed:** **May 21, 2001**

(51) **LOC (7) Cl.** **14-03**

(52) **U.S. Cl.** **D14/149; D14/240; D14/243;**
D14/253

(58) **Field of Search** **D14/137, 434,**
D14/138, 447, 148, 147, 149-151, 140-142,
240, 241, 251, 253, 451, 243, 245; 379/426,
449, 419, 420.04, 428.01, 440, 454, 455,
446; 455/550-575, 90; D13/107, 108; 320/110,
113, 114, 115; D3/218

(56) **References Cited**

U.S. PATENT DOCUMENTS

D197,011 S	*	12/1963	Gallup	D14/243
D232,226 S	*	7/1974	Bee et al.	D14/241
D233,608 S	*	11/1974	Conway et al.	D14/339
D263,047 S	*	2/1982	Trussler	D14/150
D276,430 S	*	11/1984	Isaacs	D14/149
D277,476 S	*	2/1985	Foggia et al.	D14/241
D277,664 S	*	2/1985	Wilt	D14/251
D284,005 S	*	5/1986	Isaacs	D14/251
D285,072 S	*	8/1986	Hill et al.	D14/151

D285,441 S	*	9/1986	Isaacs	D14/149
D308,522 S	*	6/1990	Swinburne	D14/251
D313,221 S	*	12/1990	Skully et al.	D13/108
D341,133 S	*	11/1993	Miyake et al.	D14/357
D347,222 S	*	5/1994	Hino et al.	D14/149
D348,062 S	*	6/1994	Iseli et al.	D14/149
D369,163 S	*	4/1996	Leung et al.	D14/150
D377,015 S	*	12/1996	Ford et al.	D14/149
D413,118 S	*	8/1999	Waldner	D14/149
D415,153 S	*	10/1999	Fitzgerald	D14/150
D431,034 S	*	9/2000	Crowe et al.	D14/240

* cited by examiner

Primary Examiner—Jeffrey Asch

(74) *Attorney, Agent, or Firm*—Rader, Fishman & Grauer, PLLC

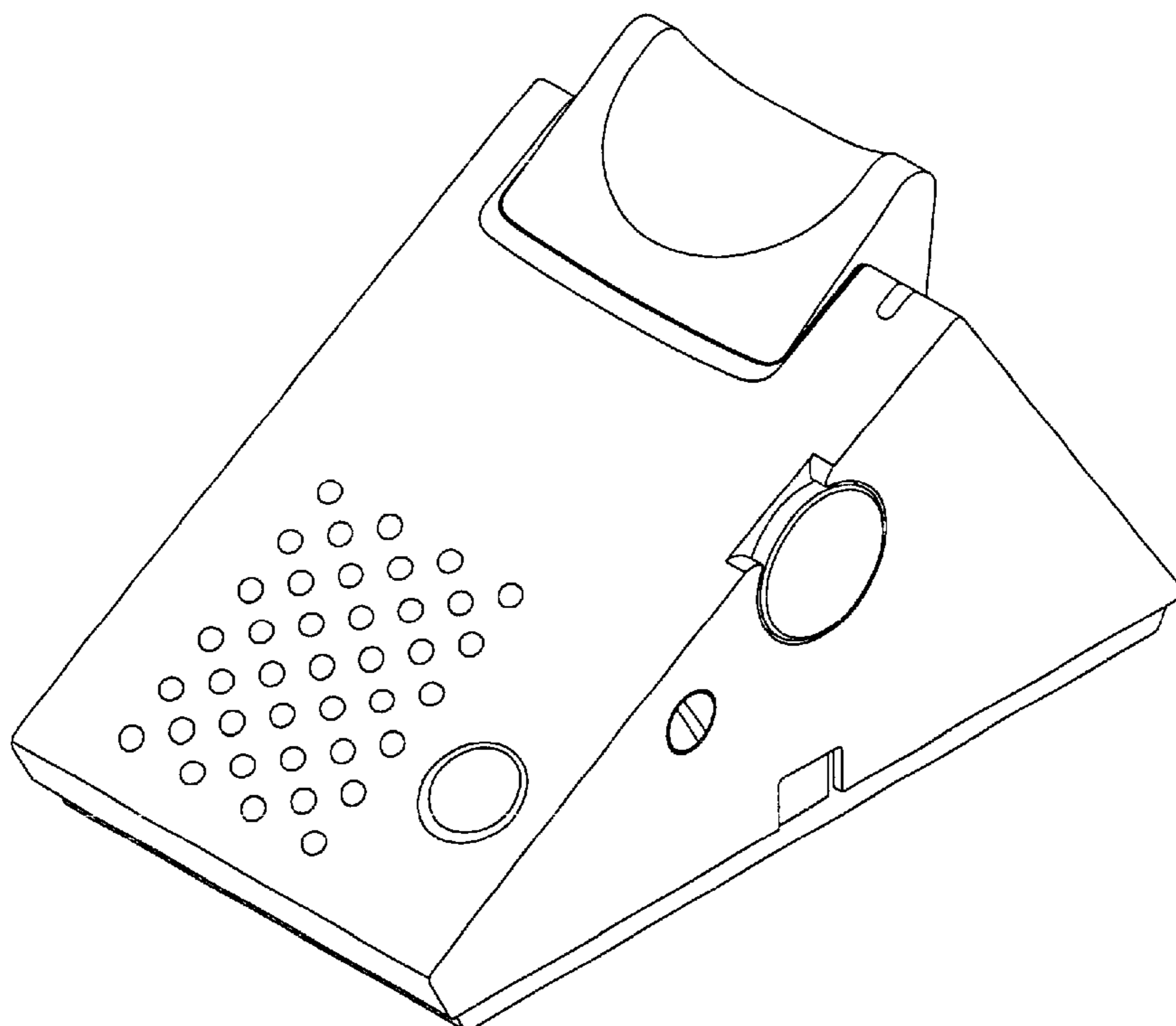
(57) **CLAIM**

The ornamental design for an adaptor for telephone, as shown and described.

DESCRIPTION

FIG. 1 is a perspective view of an adaptor for a telephone showing my new design;
FIG. 2 is a top plan view thereof;
FIG. 3 is a bottom plan view thereof;
FIG. 4 is a left side elevational view thereof;
FIG. 5 is a right side elevational view thereof;
FIG. 6 is a front elevational view thereof; and,
FIG. 7 is a rear elevational view thereof.

1 Claim, 4 Drawing Sheets



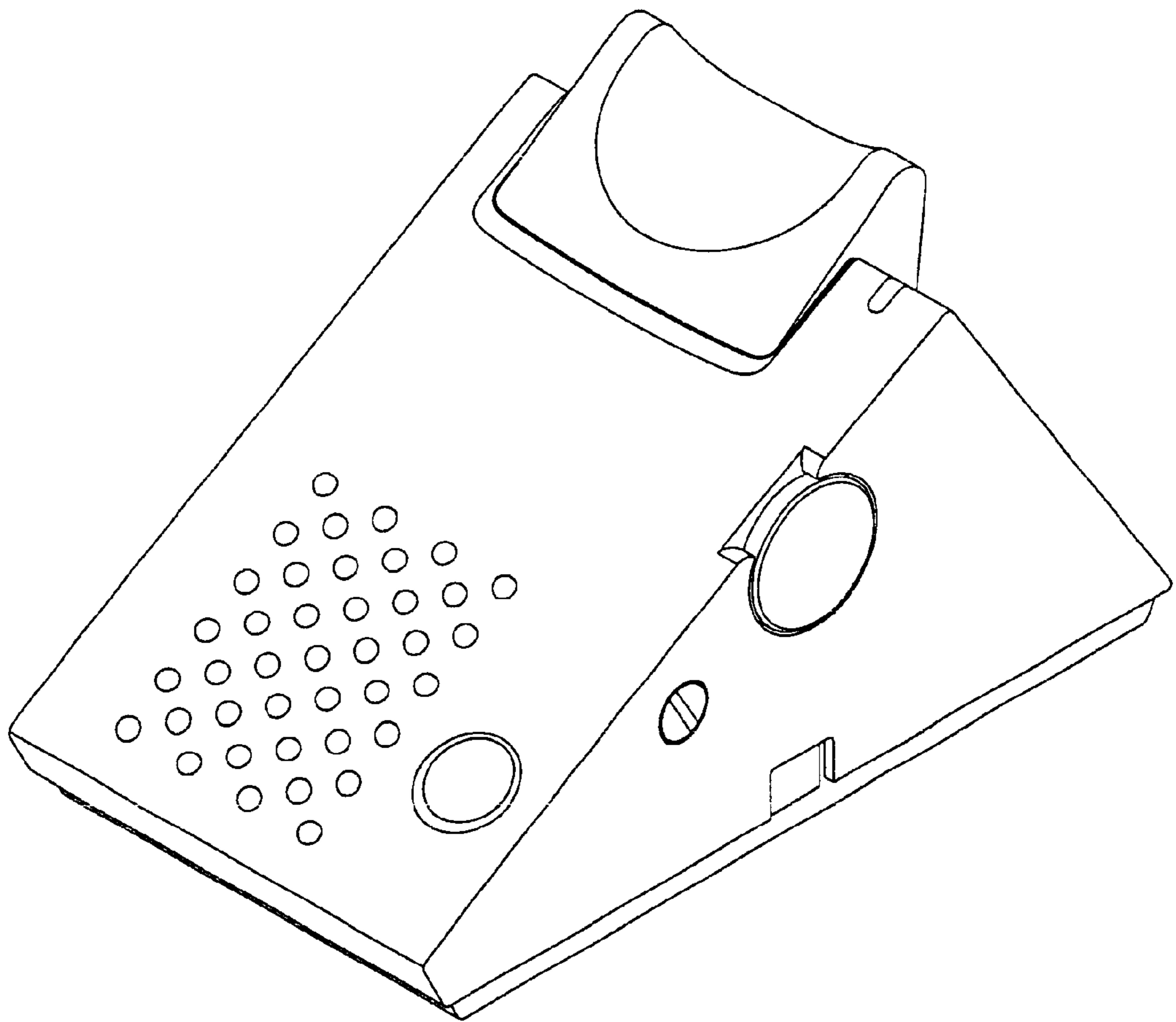


FIG. 1

FIG. 2

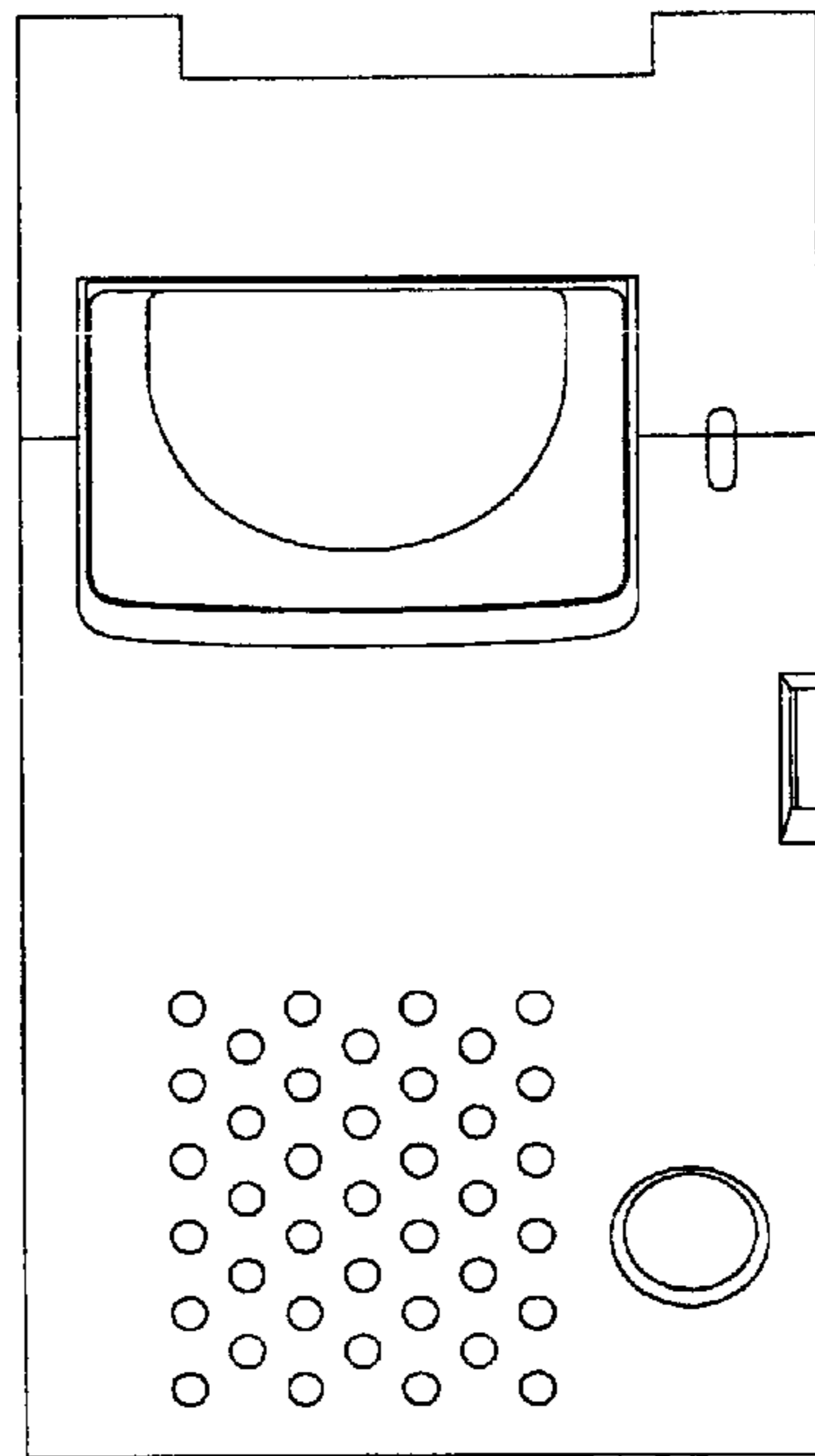


FIG. 3

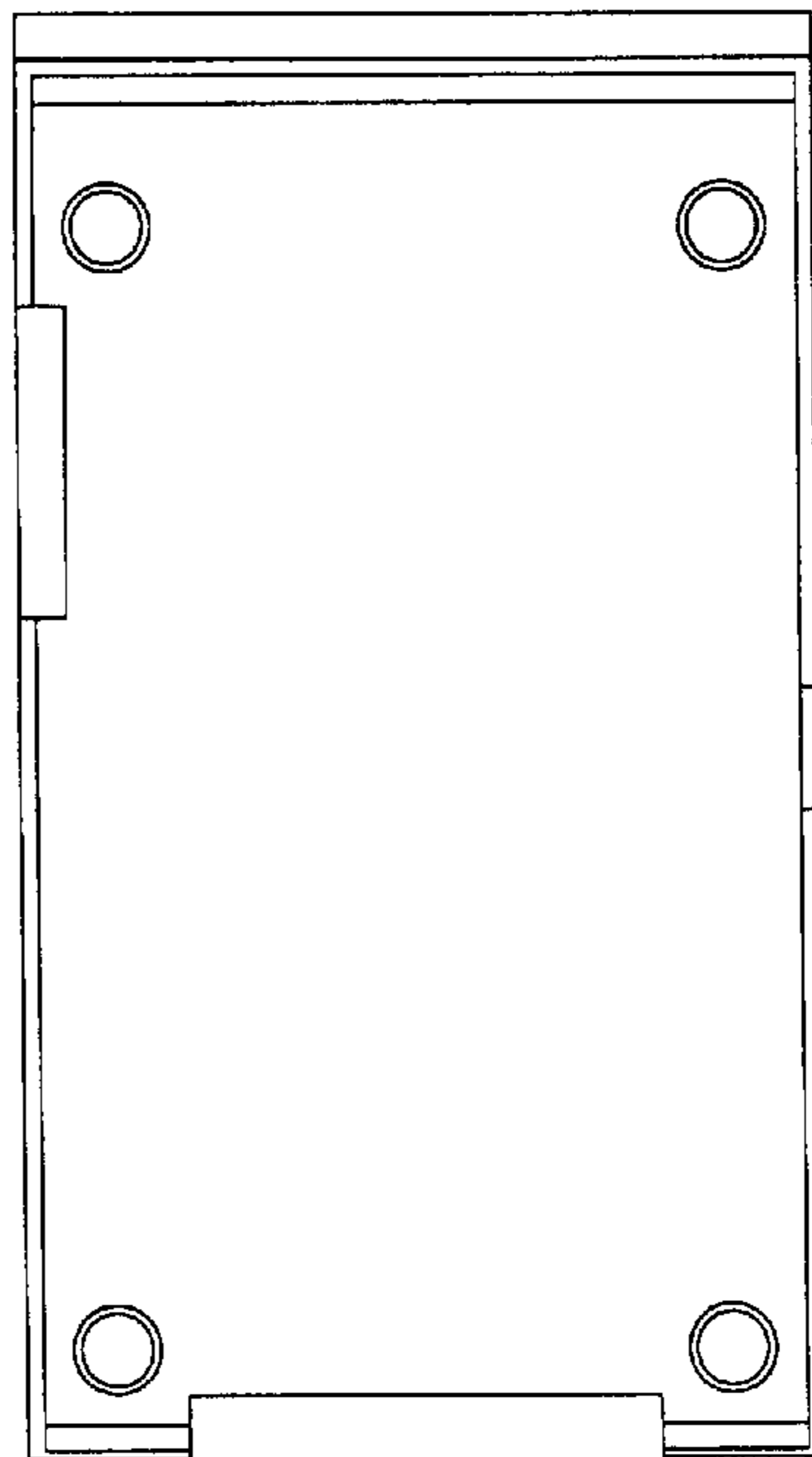


FIG. 4

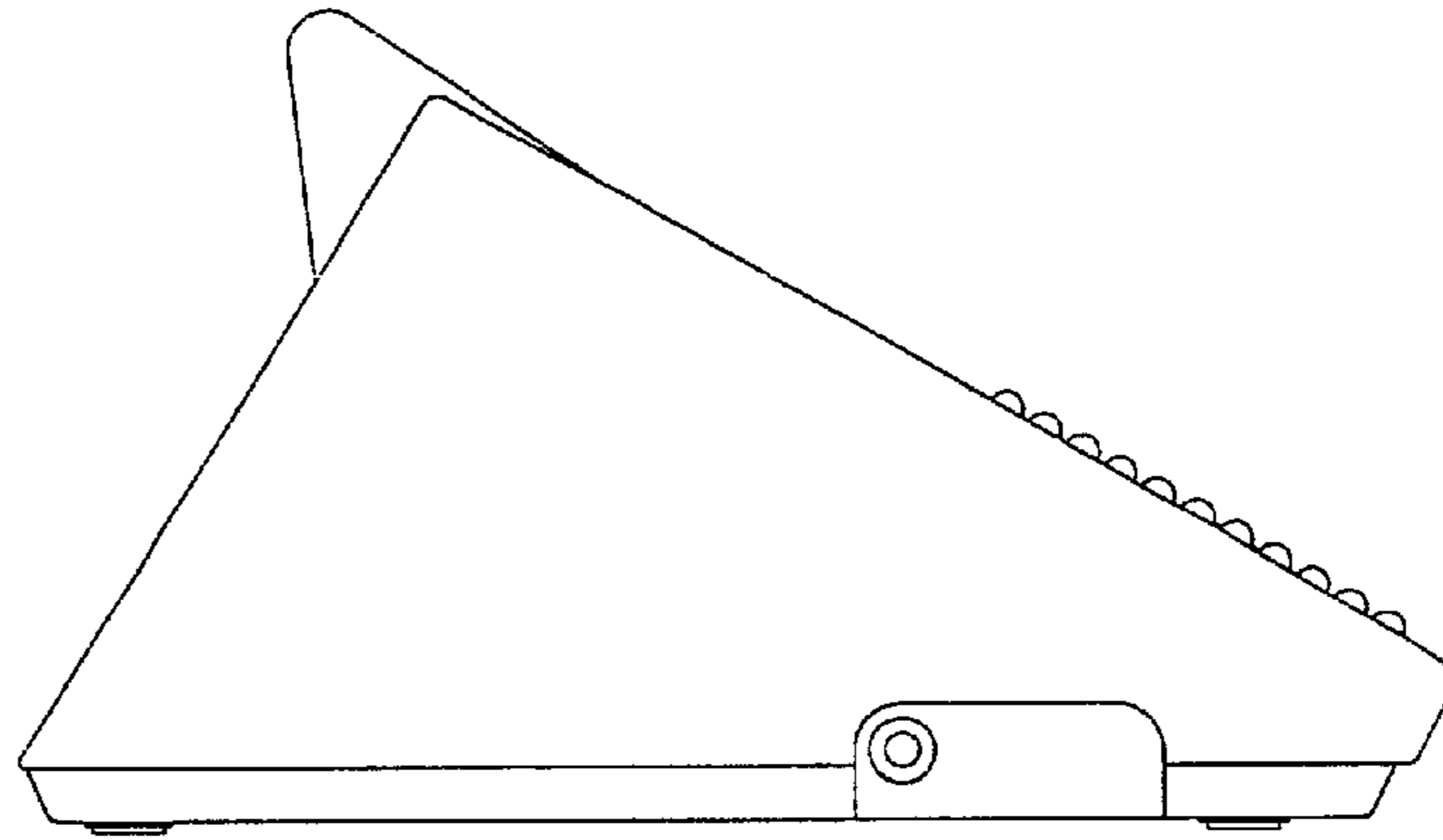


FIG. 5

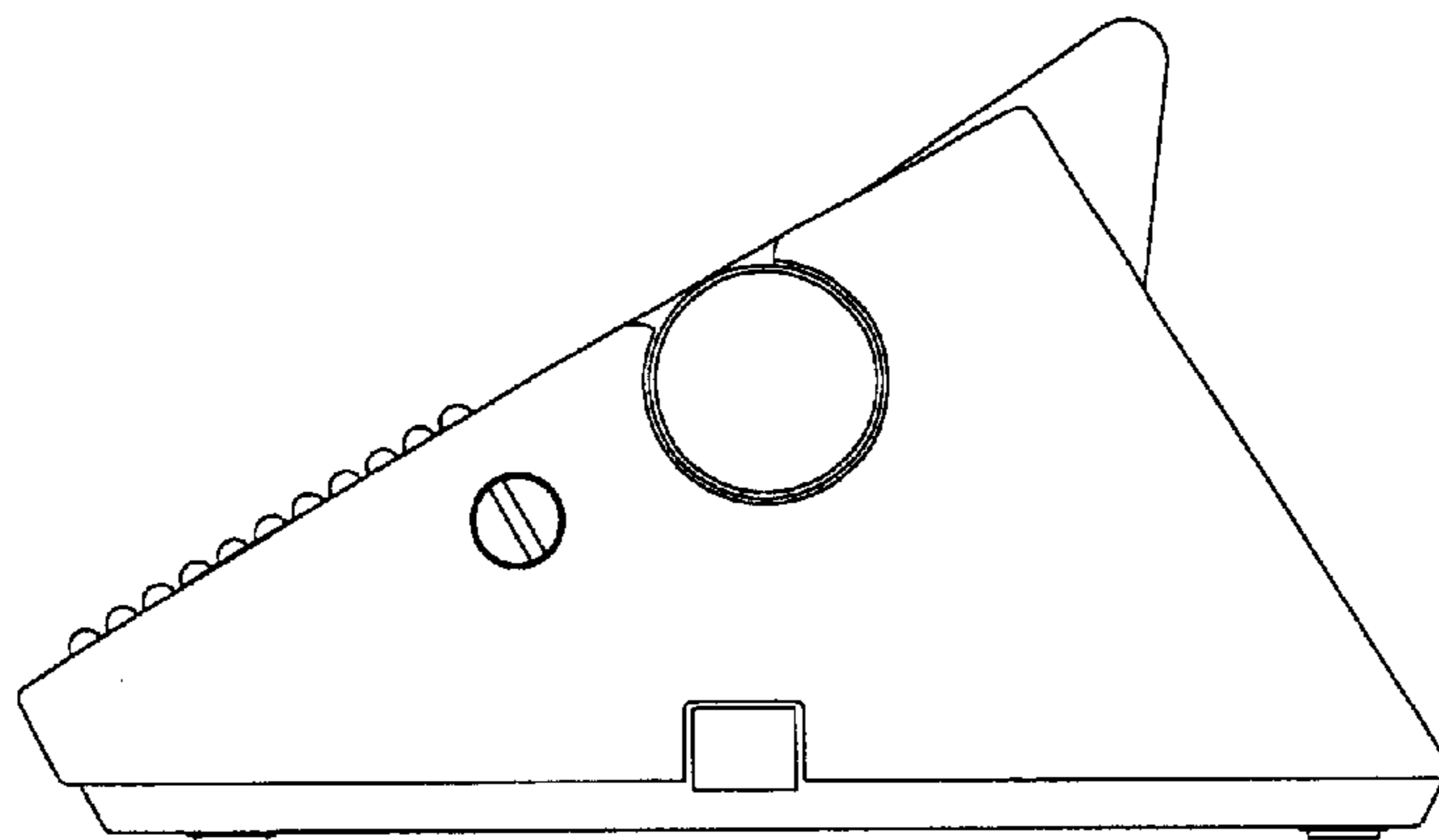


FIG. 6

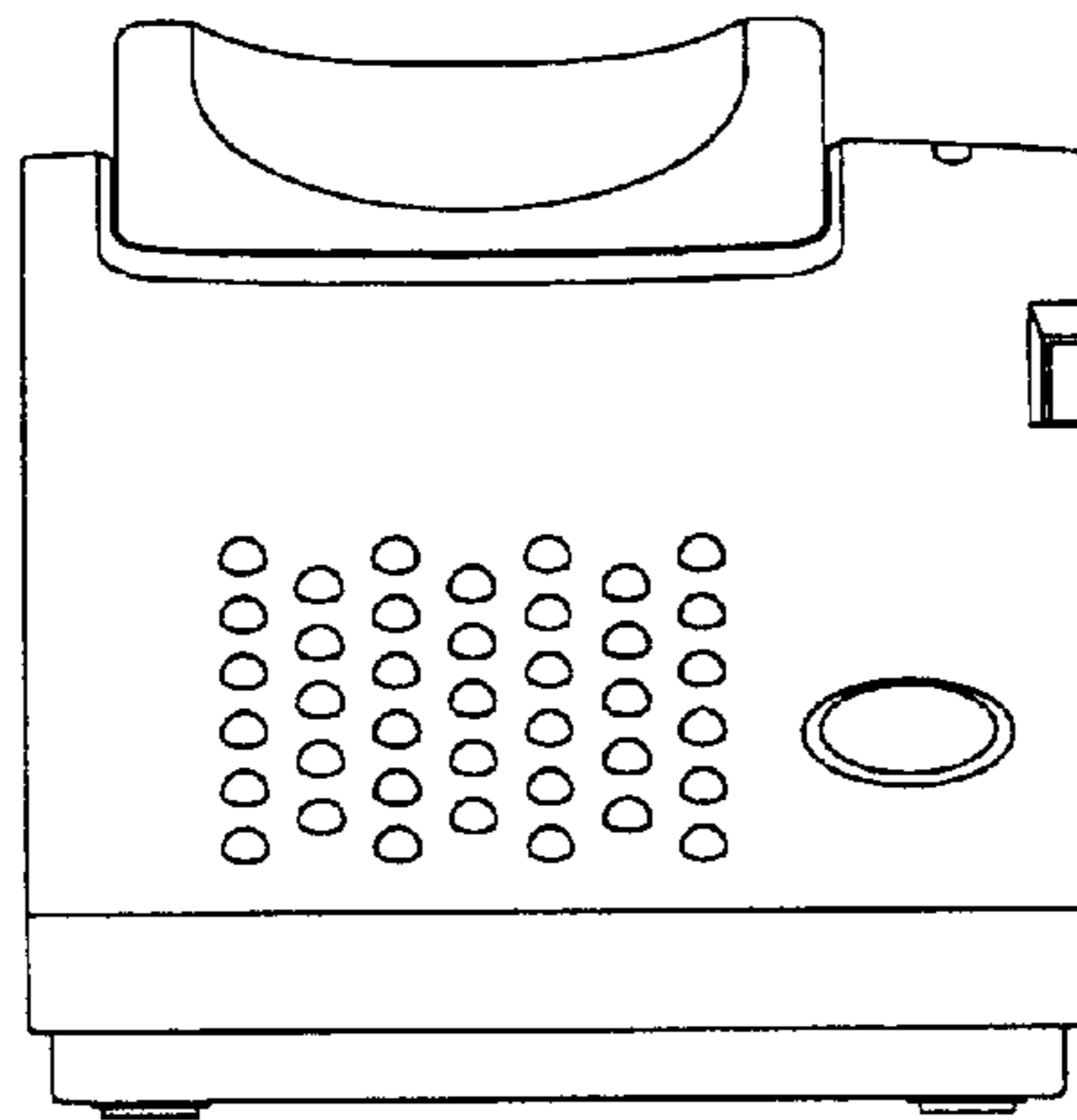


FIG. 7

