



US00D460423S

(12) **United States Design Patent**
Sadowski

(10) **Patent No.:** **US D460,423 S**

(45) **Date of Patent:** **** Jul. 16, 2002**

(54) **ROCKER SWITCH BEZEL**

(75) Inventor: **Walter A. Sadowski**, Newington, CT (US)

(73) Assignee: **Carling Technologies, Inc.**, Plainville, CT (US)

(**) Term: **14 Years**

(21) Appl. No.: **29/135,054**

(22) Filed: **Jan. 4, 2001**

(51) **LOC (7) Cl.** **13-03**

(52) **U.S. Cl.** **D13/169**

(58) **Field of Search** D8/353; D13/156, D13/158, 160, 169, 173, 177; 200/553, 237, 295, 296, 302.3, 315, 329, 339

(56) **References Cited**

U.S. PATENT DOCUMENTS

3,706,869	A	*	12/1972	Sorenson	200/295
D284,261	S	*	6/1986	Sorenson	D8/353
D323,613	S	*	2/1992	Cummins	D8/353
D369,143	S	*	4/1996	Sorenson	D13/169
D408,792	S	*	4/1999	Hwang	D13/171
D416,871	S	*	11/1999	Todd	D13/169
D447,123	S	*	8/2001	Winkler	D13/158

* cited by examiner

Primary Examiner—Ted Shooman

Assistant Examiner—Selina Sikder

(74) *Attorney, Agent, or Firm*—McCormick, Paulding & Huber LLP

(57) **CLAIM**

The ornamental design for a rocker switch bezel, as shown and described.

DESCRIPTION

FIG. 1. Top upper right perspective view of a rocker switch bezel incorporating my new design, and shows a typical switch case and rocker with which the bezel design might be used.

FIG. 2. Is a front elevational view thereof.

FIG. 3. Is a top plan view thereof.

FIG. 4. Is a left-hand side elevational view thereof; and,

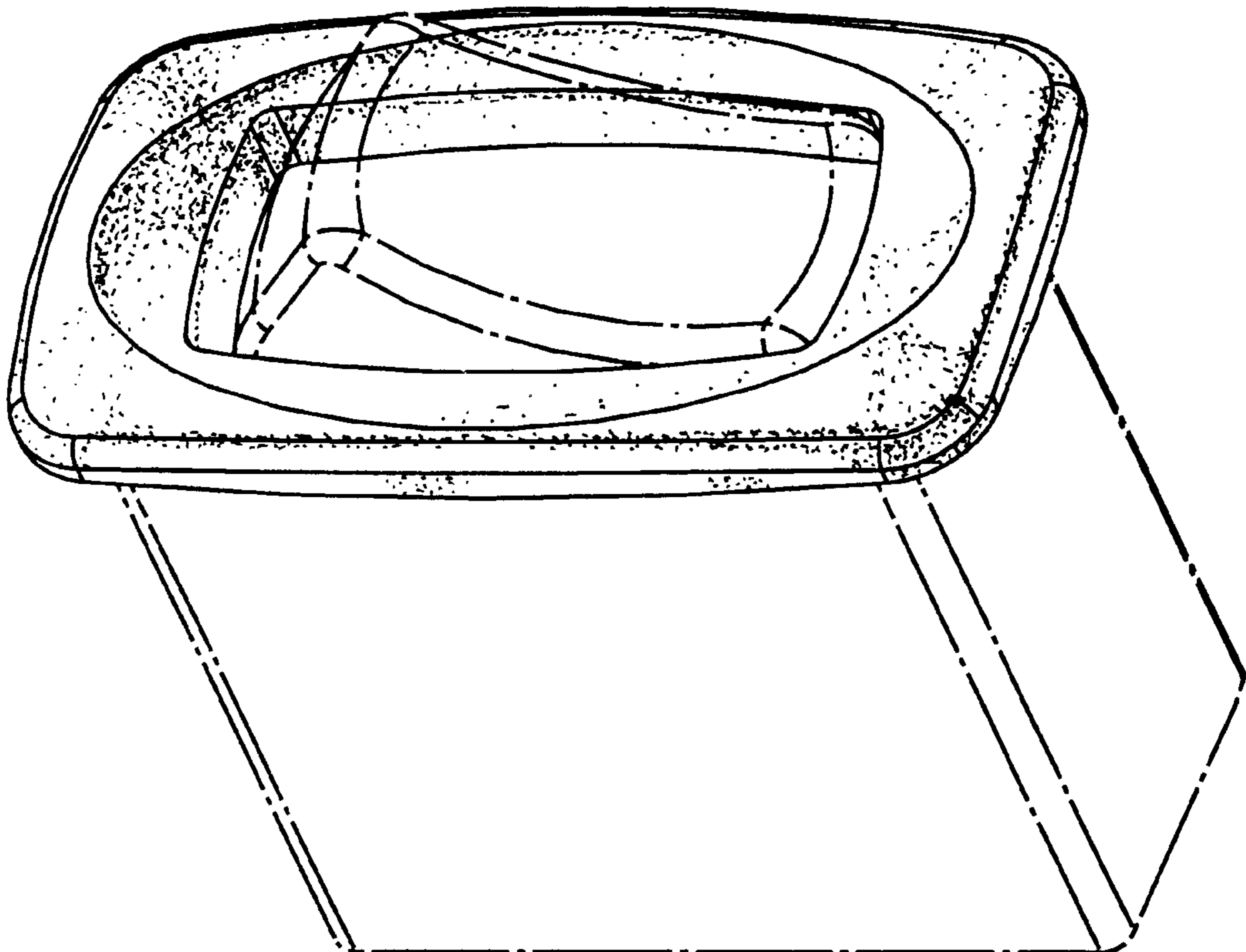
FIG. 5. Is right-hand side elevational view thereof.

No bottom view is shown as the bottom of the article would not readily appear, but would be obscured by the switch housing.

The broken line showing of the environment is for illustrative purposes only and forms no part of the claimed design.

The bottom view of the rocker switch bezel is not shown as it forms no part of the claimed design.

1 Claim, 2 Drawing Sheets



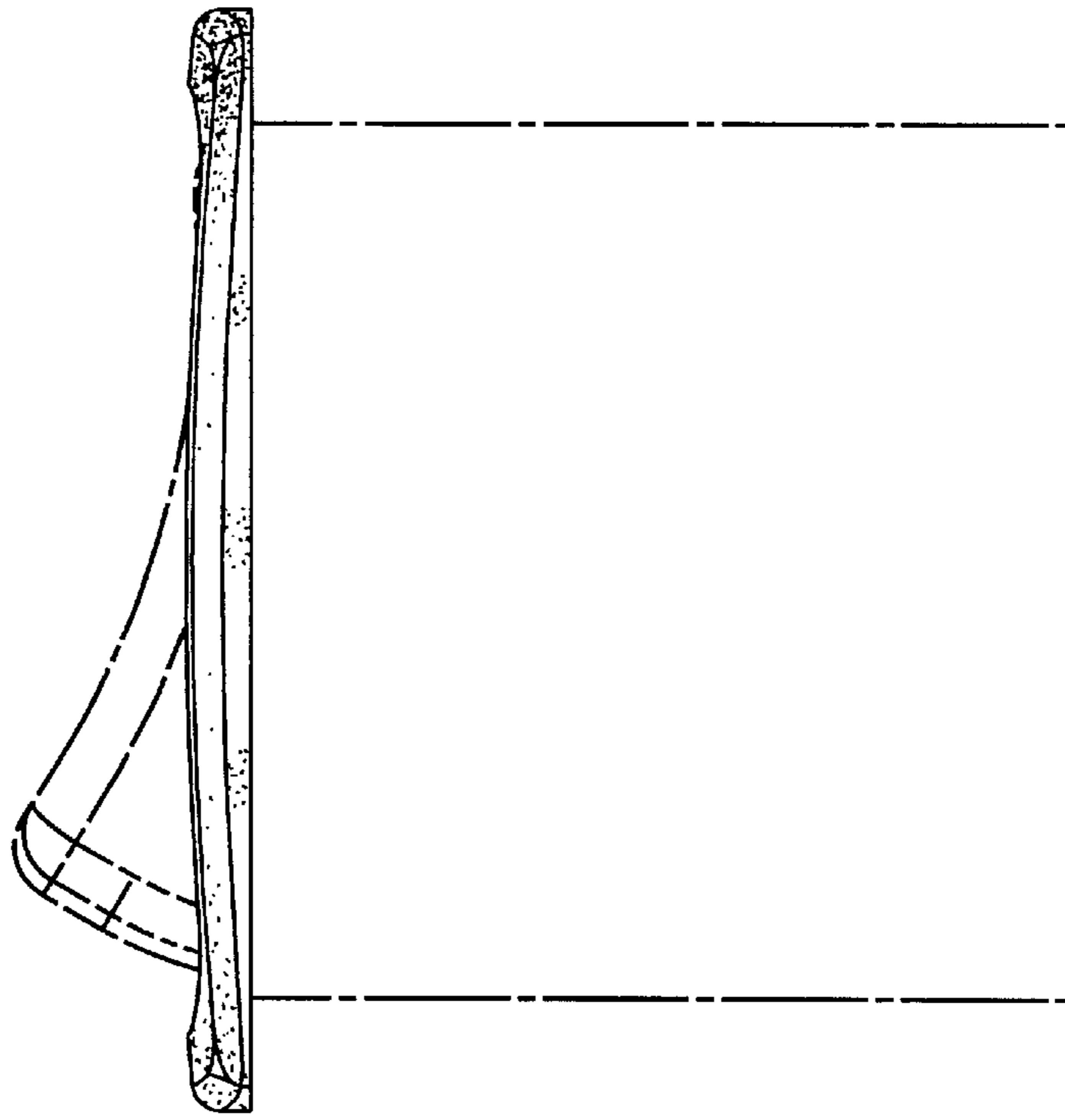


FIG. 2

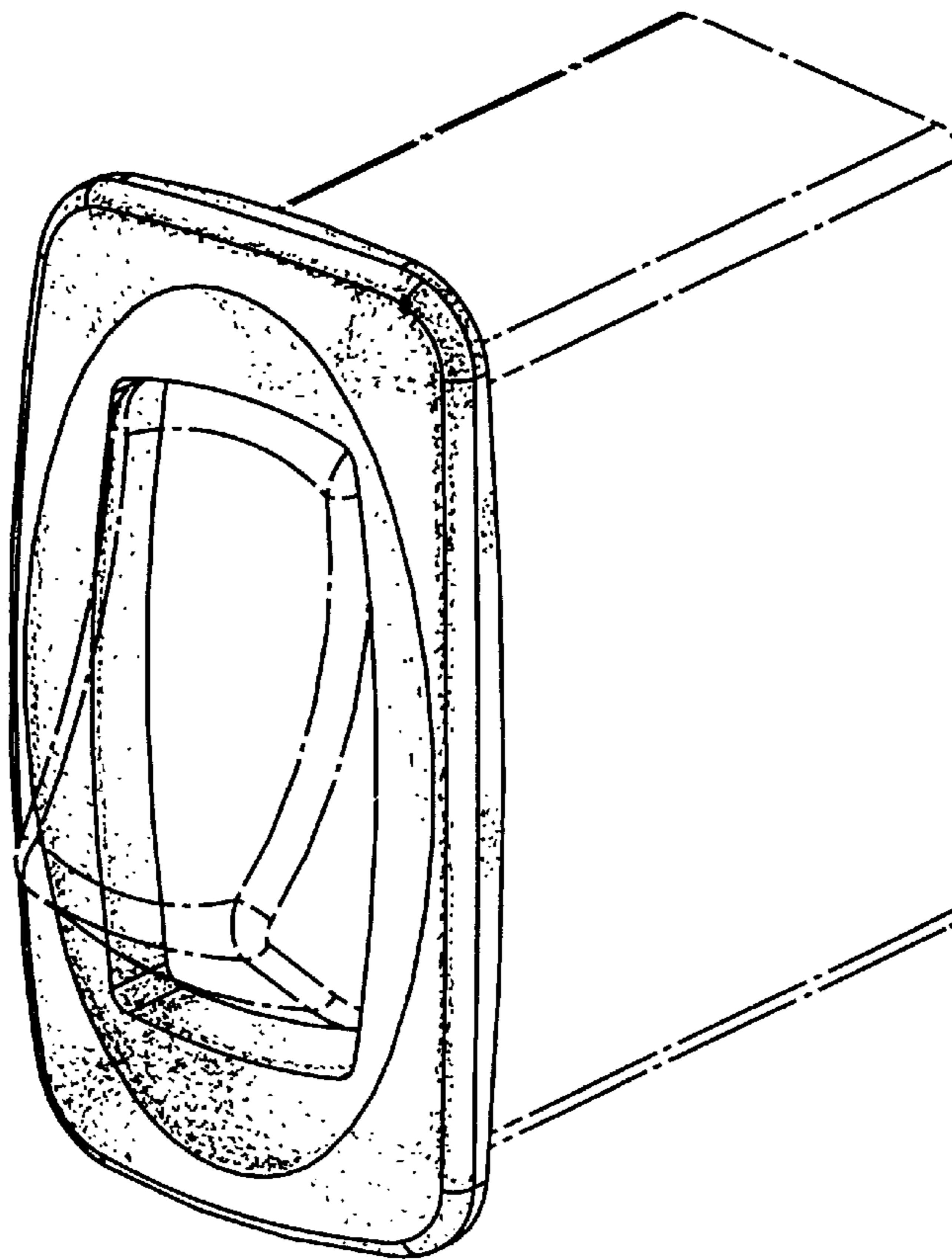


FIG. 1

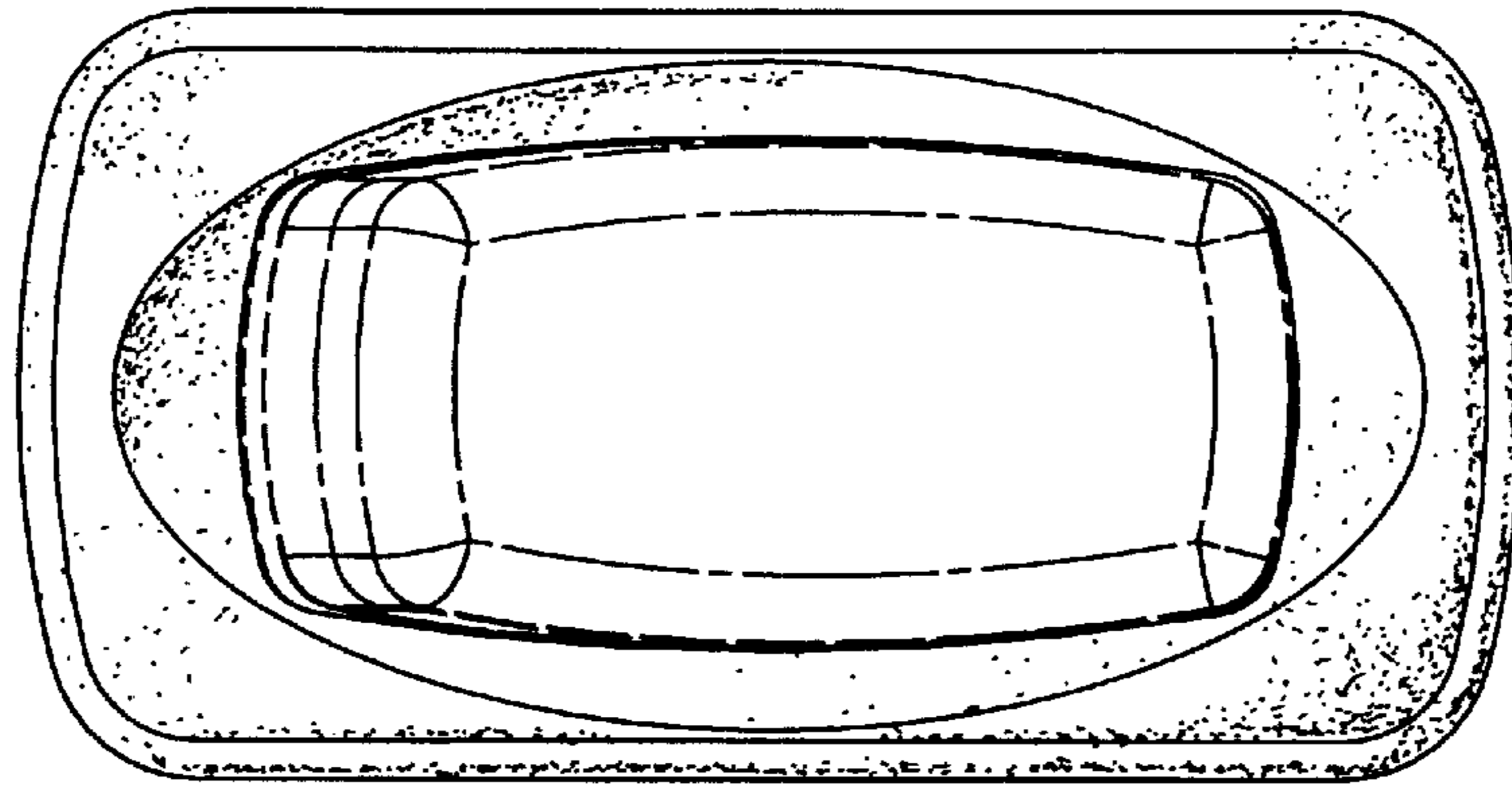


FIG. 3

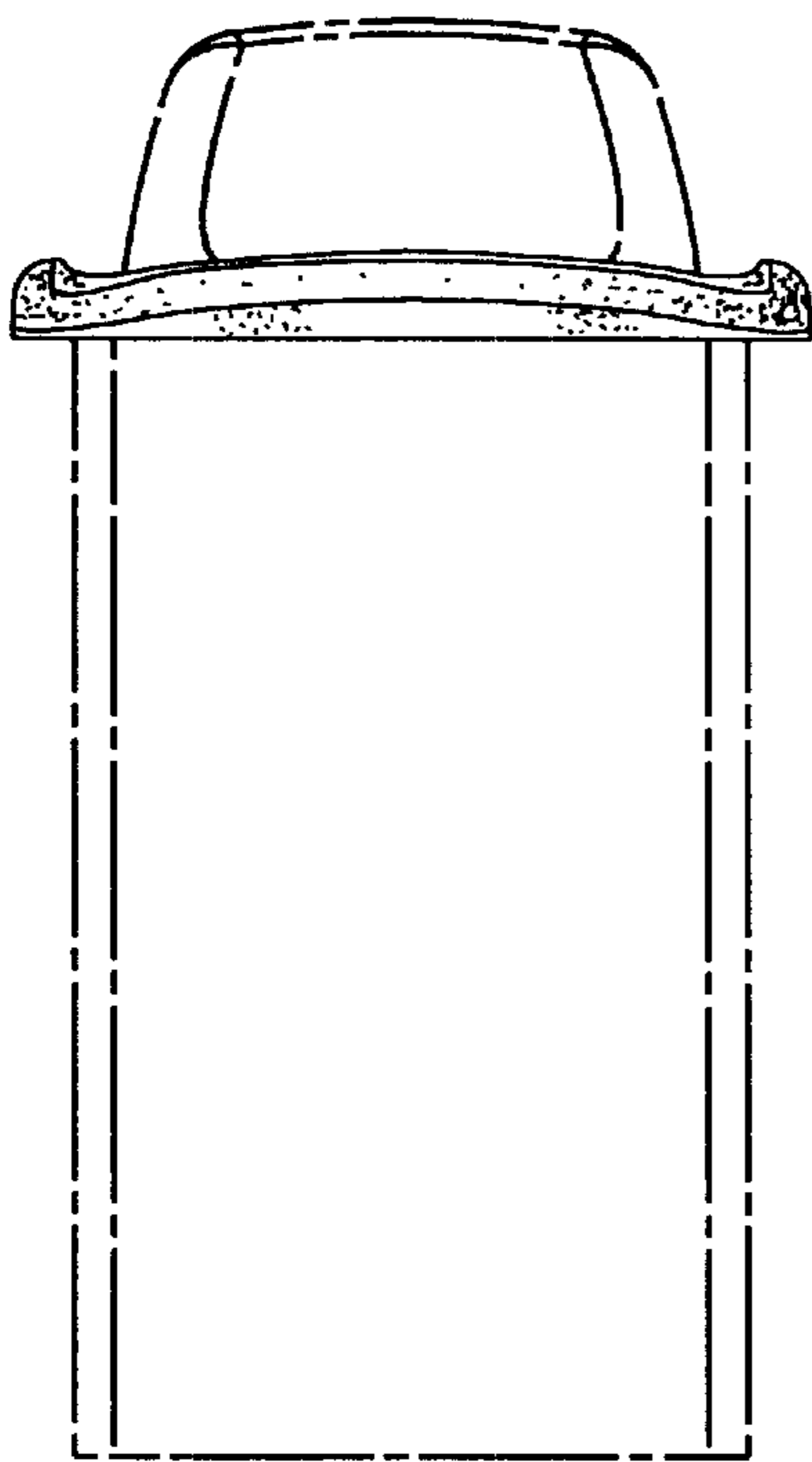


FIG. 4

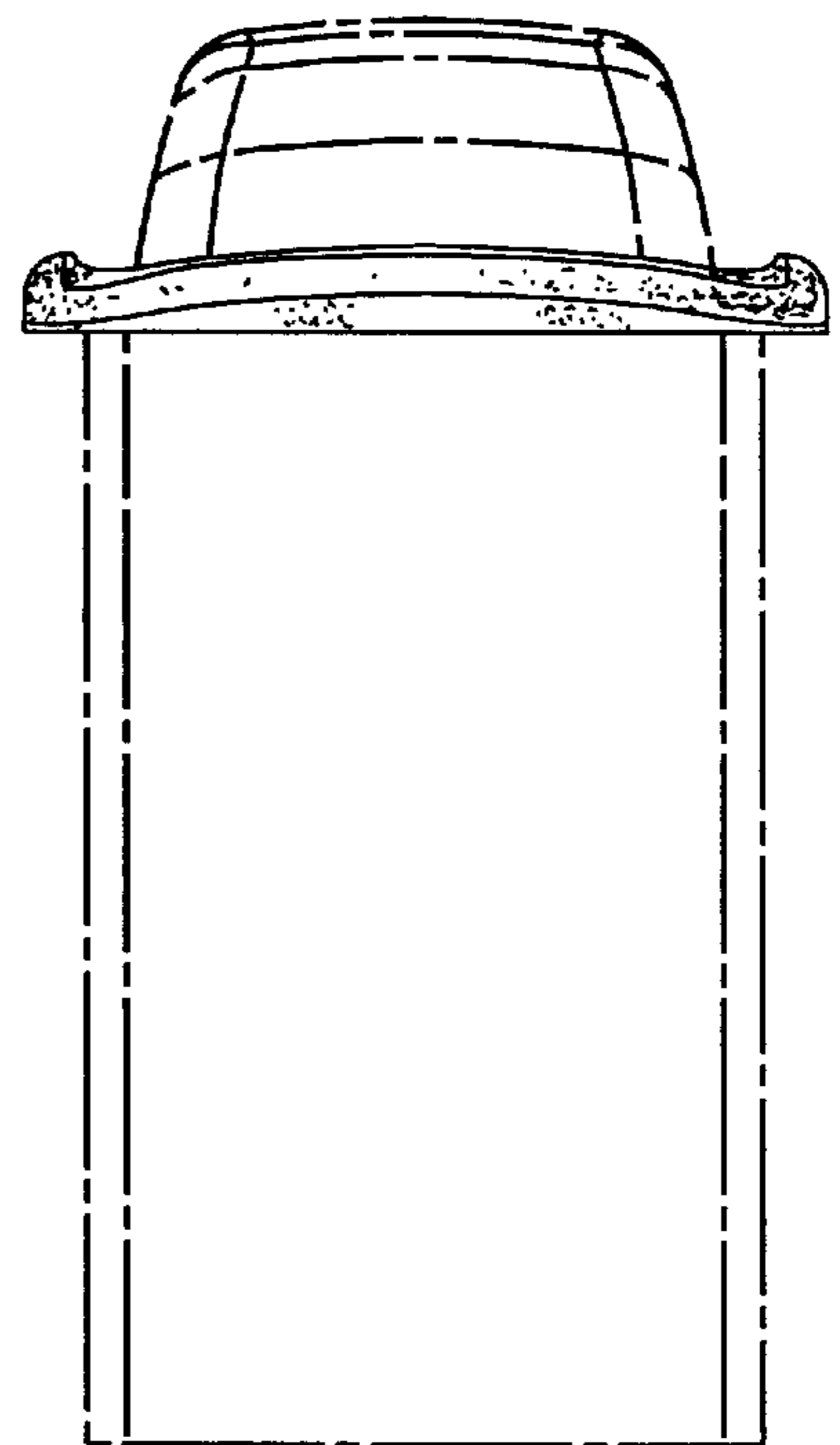


FIG. 5