



US00D460420S

(12) **United States Design Patent**
Whipple

(10) **Patent No.:** **US D460,420 S**

(45) **Date of Patent:** **** Jul. 16, 2002**

(54) **TRAILER WIRING HARNESS**

(76) **Inventor:** **William F. Whipple**, 966 Wages Way,
Orlando, FL (US) 32825

(**) **Term:** **14 Years**

(21) **Appl. No.:** **29/144,719**

(22) **Filed:** **Jul. 10, 2001**

(51) **LOC (7) Cl.** **13-03**

(52) **U.S. Cl.** **D13/154; D13/137.4**

(58) **Field of Search** D9/447; D12/400;
D13/137.4, 139.7, 154, 184, 199; 174/137 R,
138 R, 138 F; 191/12 R; 439/4, 146, 501;
242/370, 398

(56) **References Cited**

U.S. PATENT DOCUMENTS

1,931,949 A	*	10/1933	Lockyer	439/522
2,142,107 A	*	1/1939	Brown	174/138 R
2,643,362 A	*	6/1953	Johansson	439/146
D202,745 S	*	11/1965	Santore	D9/447
3,528,049 A	*	9/1970	Orr	439/146

3,937,552 A	*	2/1976	Parsons	439/738
D335,865 S	*	5/1993	Sanders	D13/137.4
D387,776 S	*	12/1997	Chan	D13/139.7
5,925,854 A	*	7/1999	Sugiyama	174/138 F

* cited by examiner

Primary Examiner—Robert M. Spear

(74) *Attorney, Agent, or Firm*—William M. Hobby, III

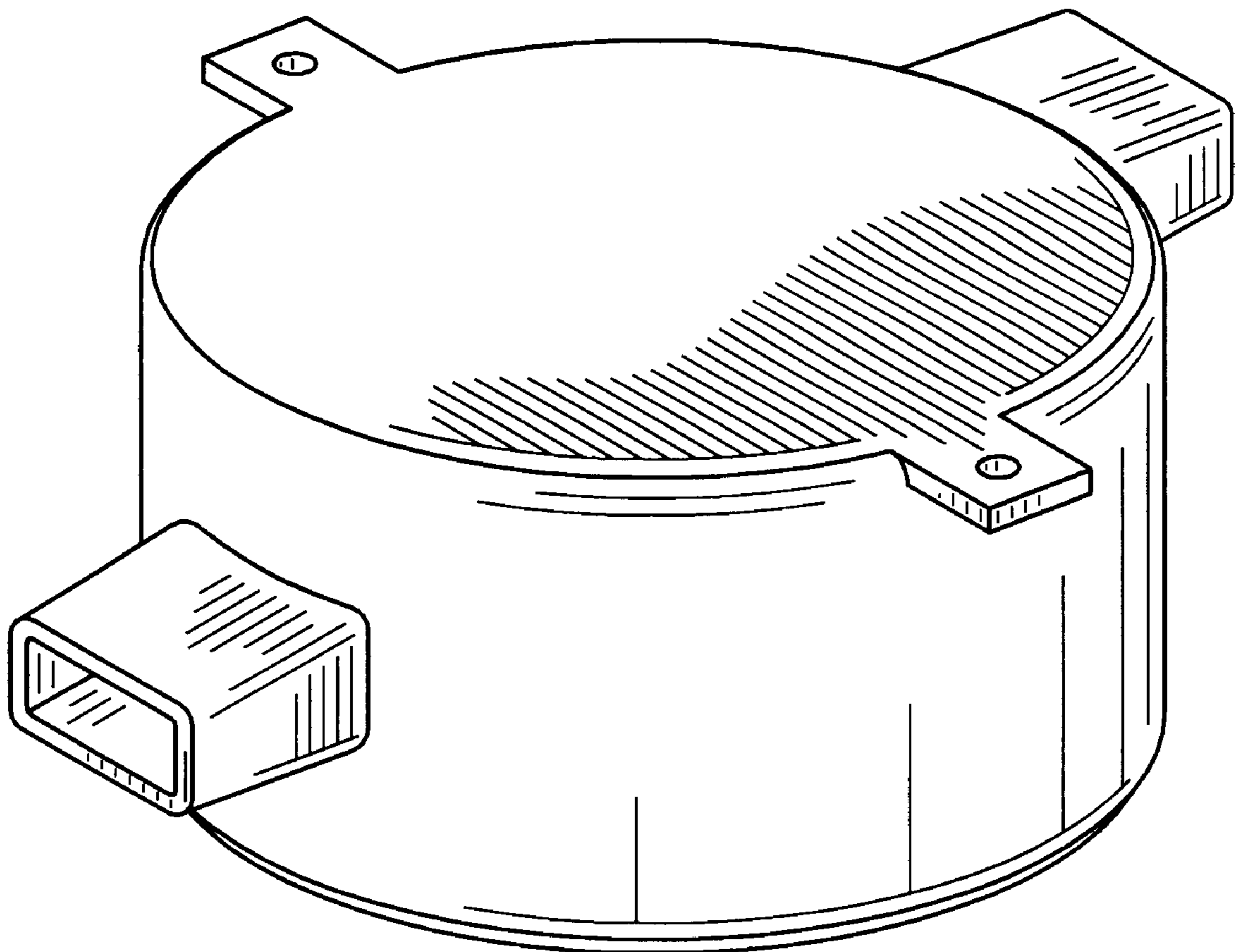
(57) **CLAIM**

The ornamental design for a trailer wiring harness, as shown and described.

DESCRIPTION

FIG. 1 is a top front perspective view of my new trailer wiring harness;
FIG. 2 is a front elevation;
FIG. 3 is a rear elevation;
FIG. 4 is a right side elevation;
FIG. 5 is a left side elevation;
FIG. 6 is a top plan view; and,
FIG. 7 is a bottom plan view.

1 Claim, 2 Drawing Sheets



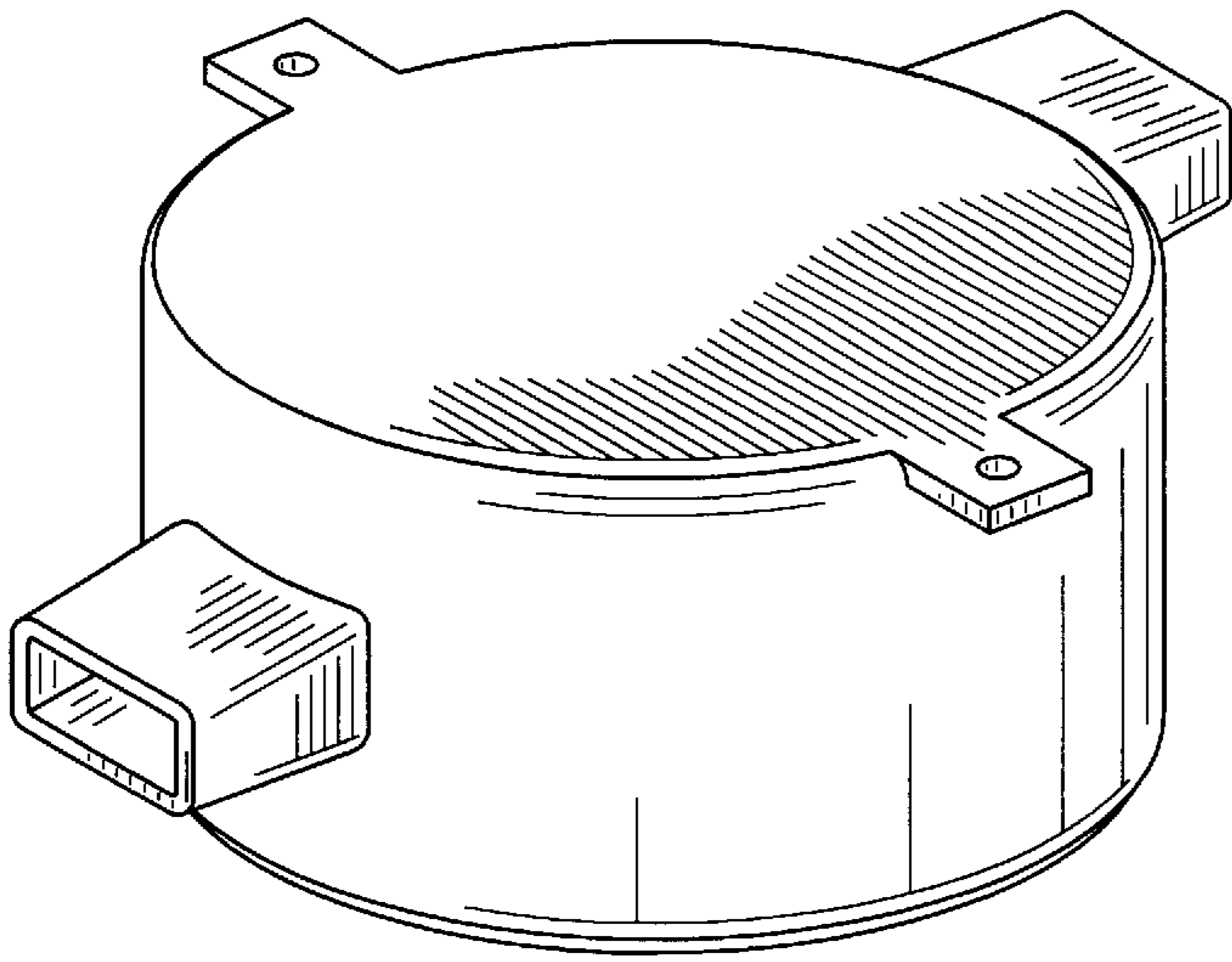


FIG. 1

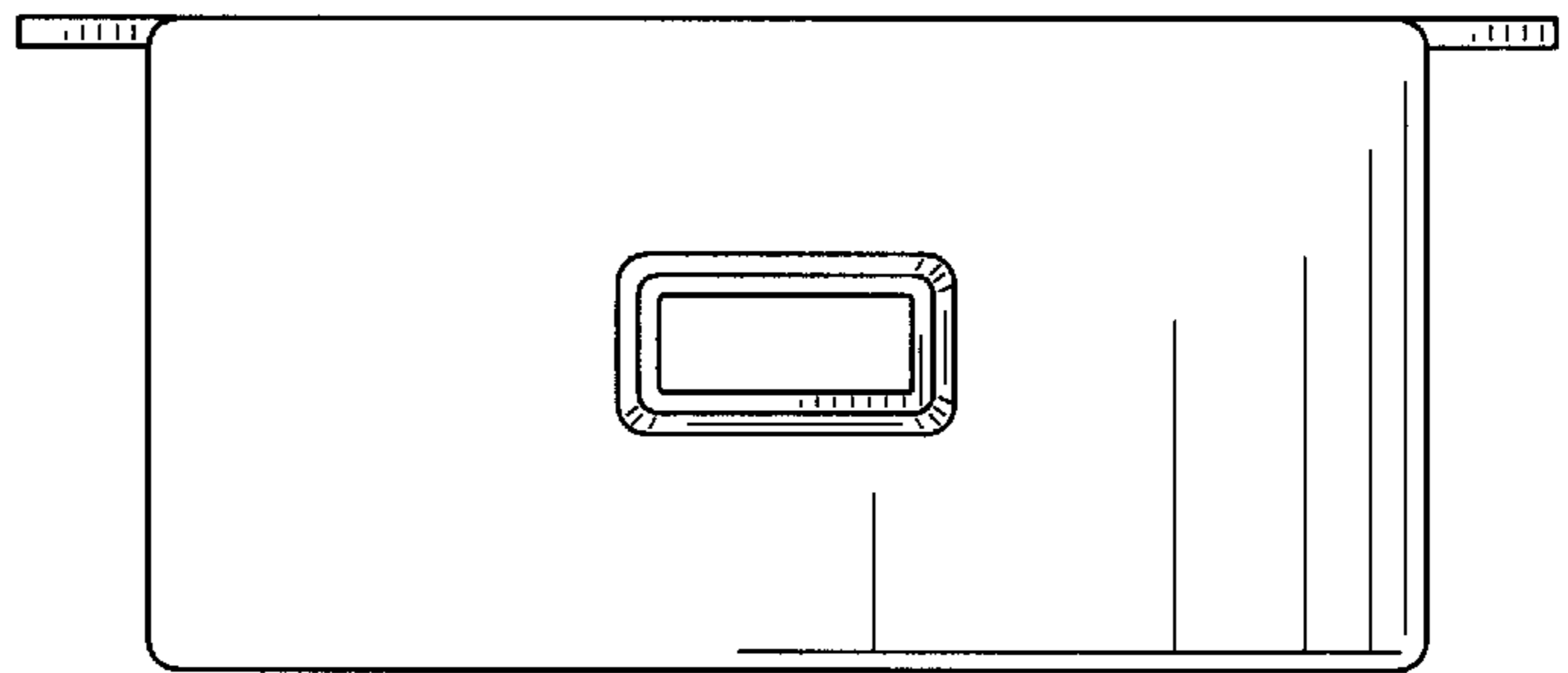


FIG. 2

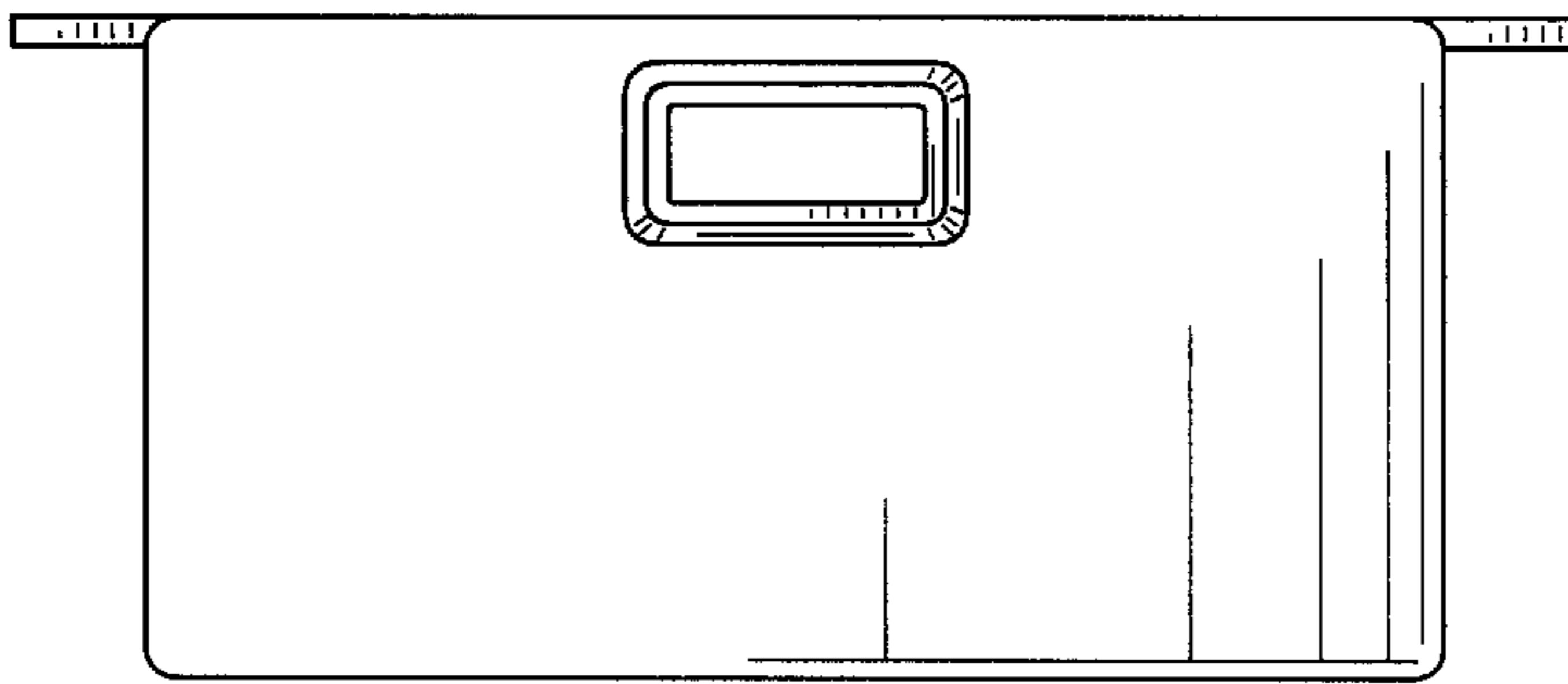


FIG. 3

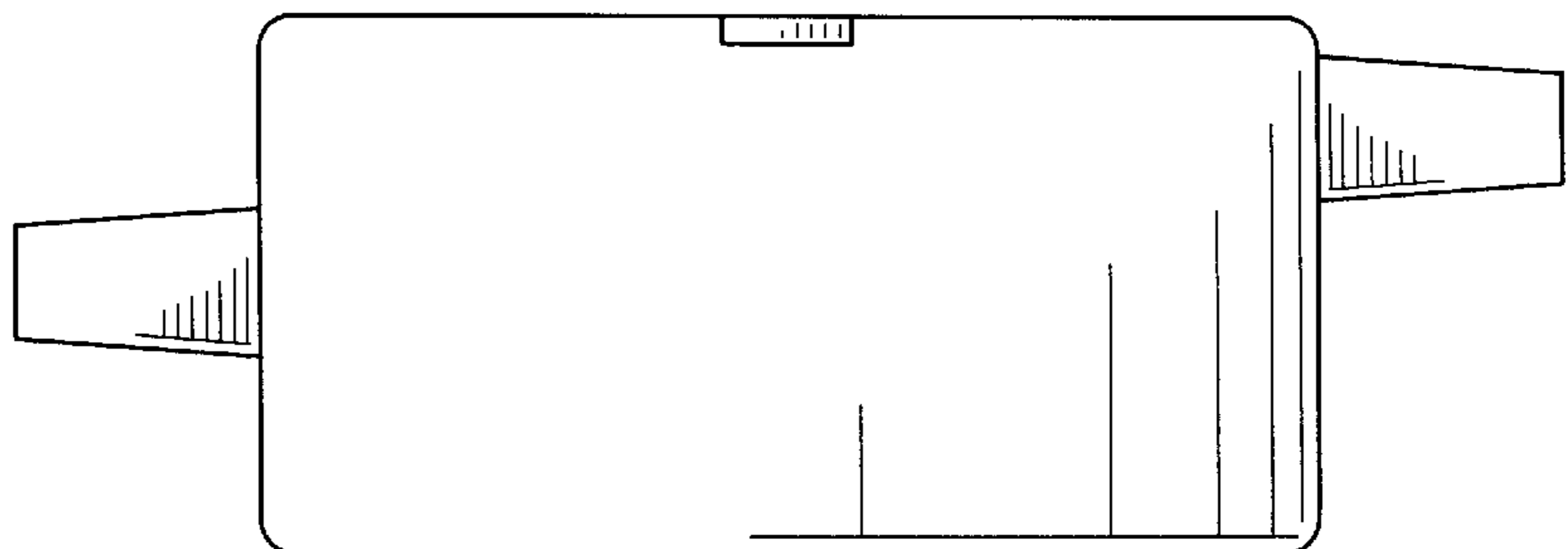


FIG. 4

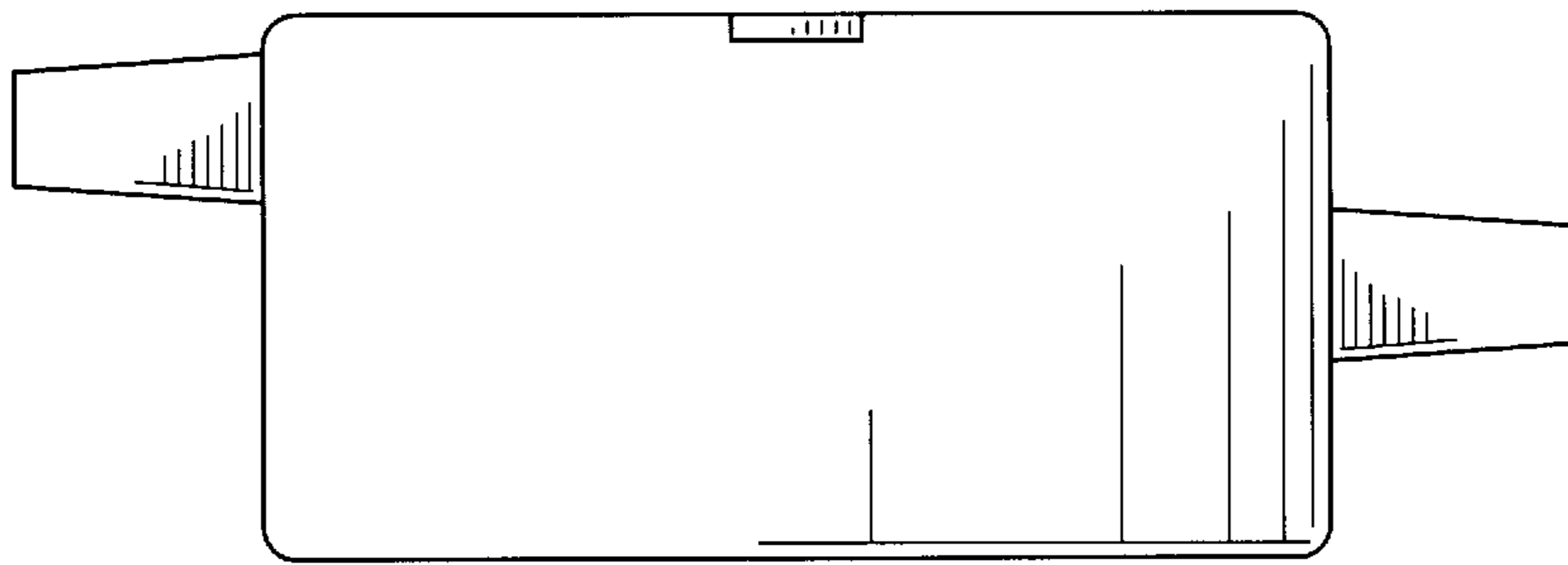


FIG. 5

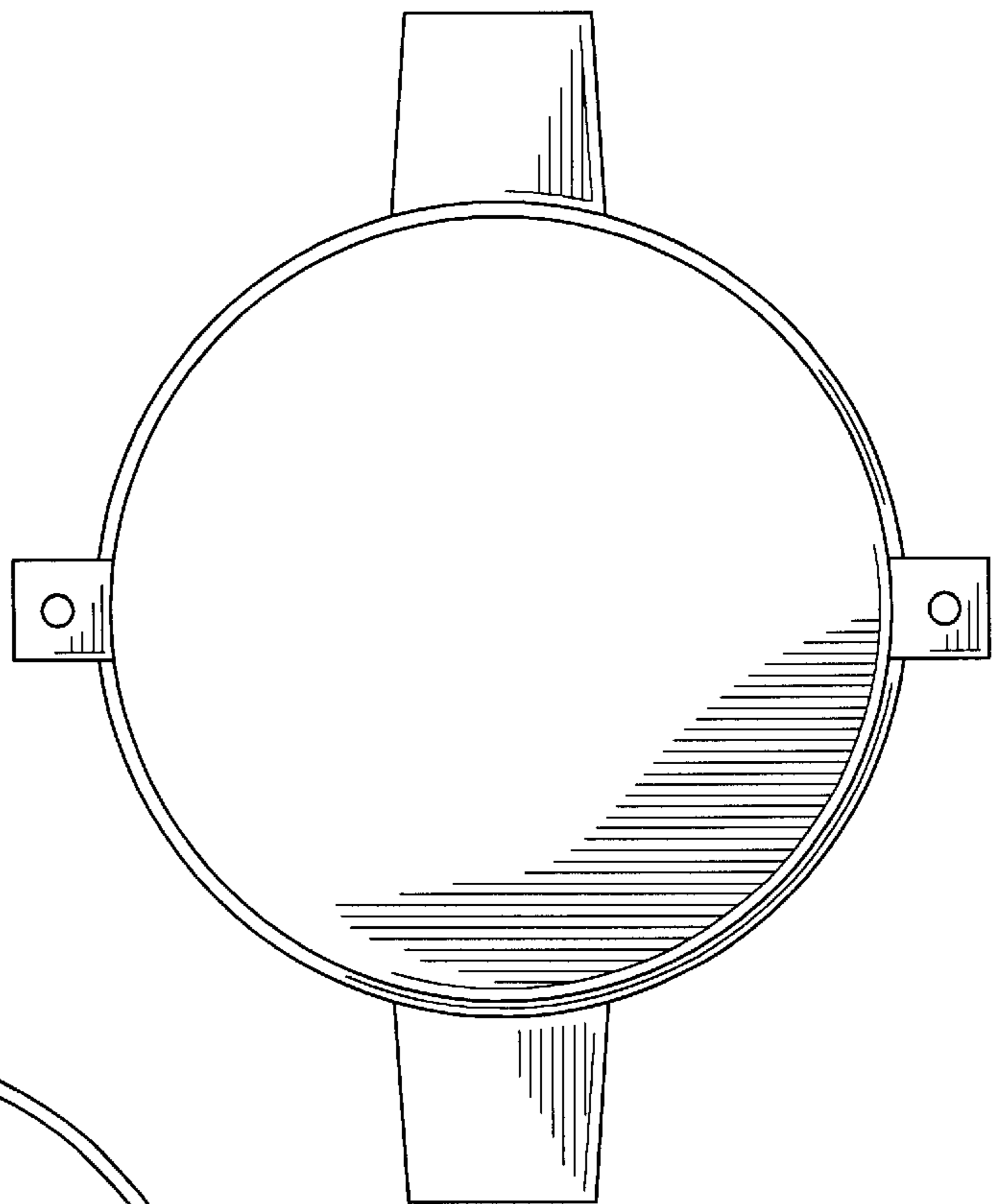


FIG. 6

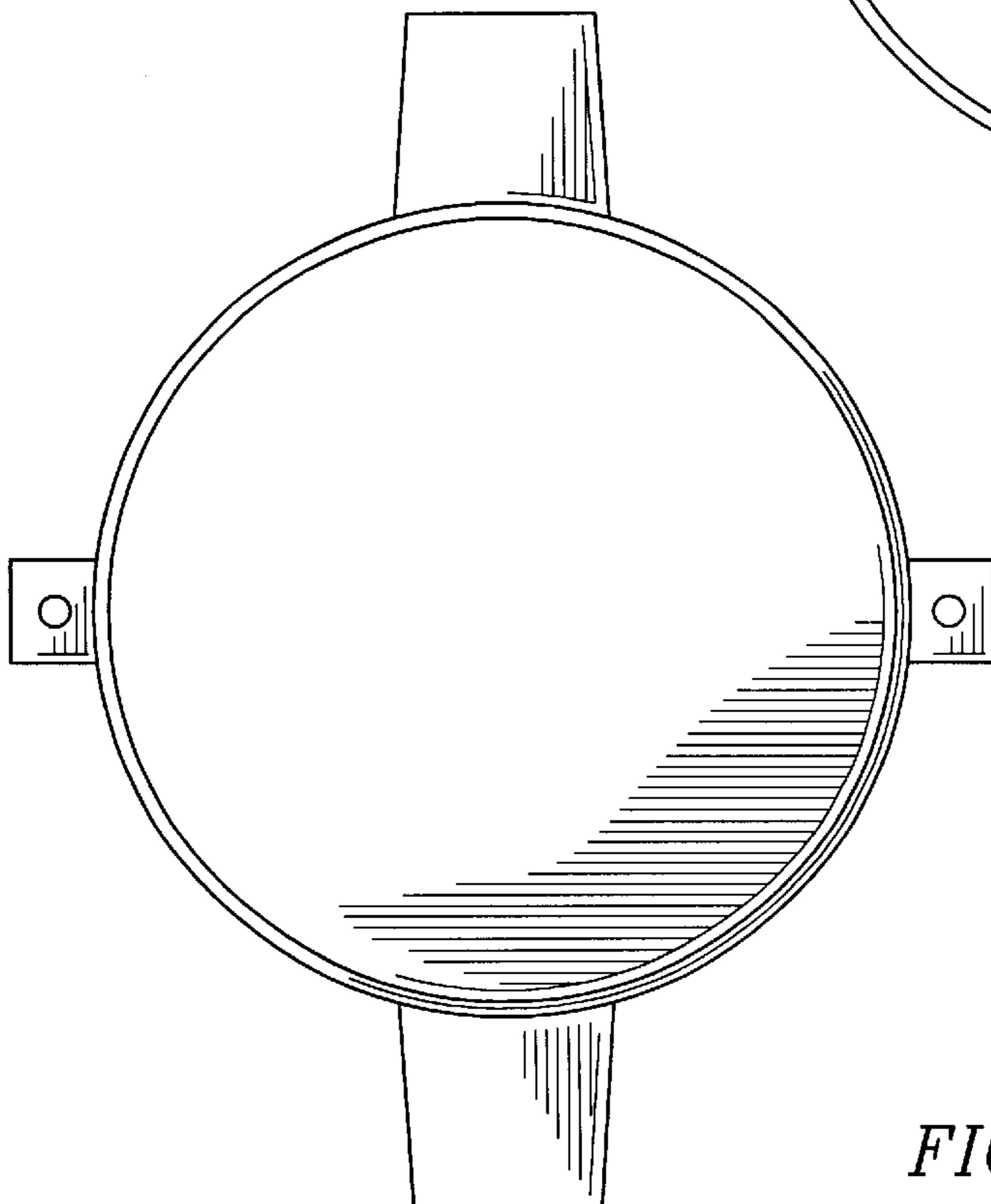


FIG. 7