



US00D460419S

(12) **United States Design Patent**
Zielke et al.

(10) **Patent No.:** **US D460,419 S**
(45) **Date of Patent:** **** Jul. 16, 2002**

(54) **HOUSING FOR ELECTRICAL CONNECTOR**

(75) Inventors: **Darrell W. Zielke; Philip R. Mansur,**
both of Bothell, WA (US)

(73) Assignee: **Leviton Manufacturing Co., Inc.,**
Little Neck, NY (US)

(**) Term: **14 Years**

(21) Appl. No.: **29/144,985**

(22) Filed: **Jul. 12, 2001**

(51) **LOC (7) Cl.** **13-03**

(52) **U.S. Cl.** **D13/147**

(58) **Field of Search** D13/146, 147;
439/224, 402, 403, 404, 942

(56) **References Cited**

U.S. PATENT DOCUMENTS

3,611,264	A	*	10/1971	Ellis, Jr.	439/403
4,964,812	A	*	10/1990	Siemon et al.	439/403
5,409,404	A	*	4/1995	Reed	439/736
5,458,503	A	*	10/1995	Below	439/404
5,496,191	A	*	3/1996	Reed et al.	439/404
5,591,045	A	*	1/1997	Pepe et al.	439/404 X
5,624,267	A	*	4/1997	Johnston	439/54
5,645,445	A	*	7/1997	Siemon et al.	439/395

5,722,850	A	*	3/1998	White	439/404
D408,013	S	*	4/1999	Zimmer et al.	D13/147
5,893,763	A	*	4/1999	O'Connor et al.	439/76.1
5,897,383	A	*	4/1999	Johnston	439/54
D409,147	S	*	5/1999	Zimmer et al.	D13/147
6,050,842	A	*	4/2000	Ferrill et al.	439/404
6,135,821	A	*	10/2000	Liu	439/404 X

* cited by examiner

Primary Examiner—Joel Sincavage

(74) *Attorney, Agent, or Firm*—Seed Intellectual Property Law Group PLLC

(57) **CLAIM**

The ornamental design for a housing for electrical connector, as shown and described.

DESCRIPTION

FIG. 1 is a front isometric view of a housing for an electrical connector showing our new design.

FIG. 2 is a front elevational view thereof.

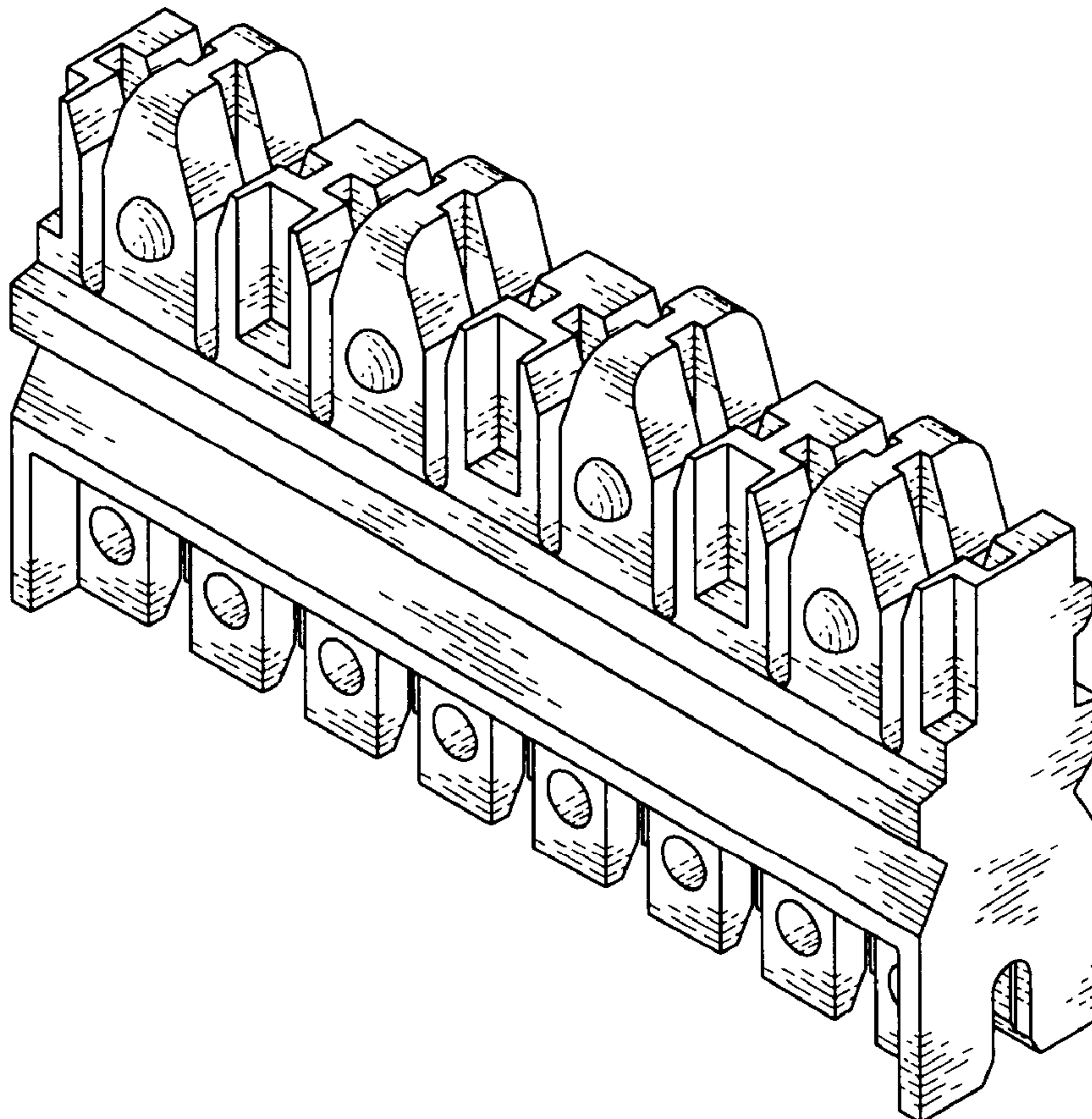
FIG. 3 is a rear elevational view thereof.

FIG. 4 is a top plan view thereof.

FIG. 5 is a bottom plan view thereof; and,

FIG. 6 is a right side elevational view thereof, the left side elevational view being a mirror image thereto.

1 Claim, 3 Drawing Sheets



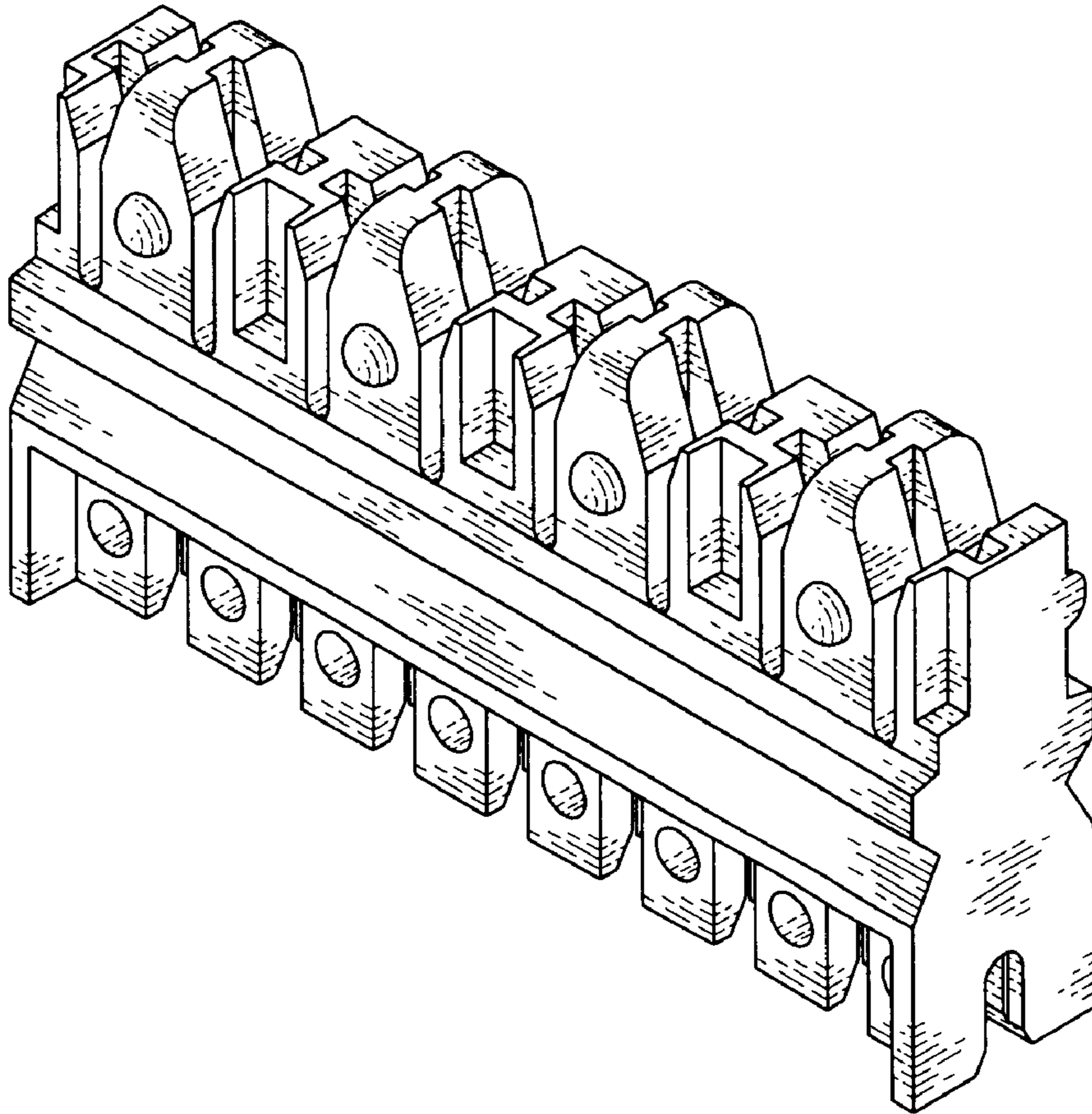


Fig. 1

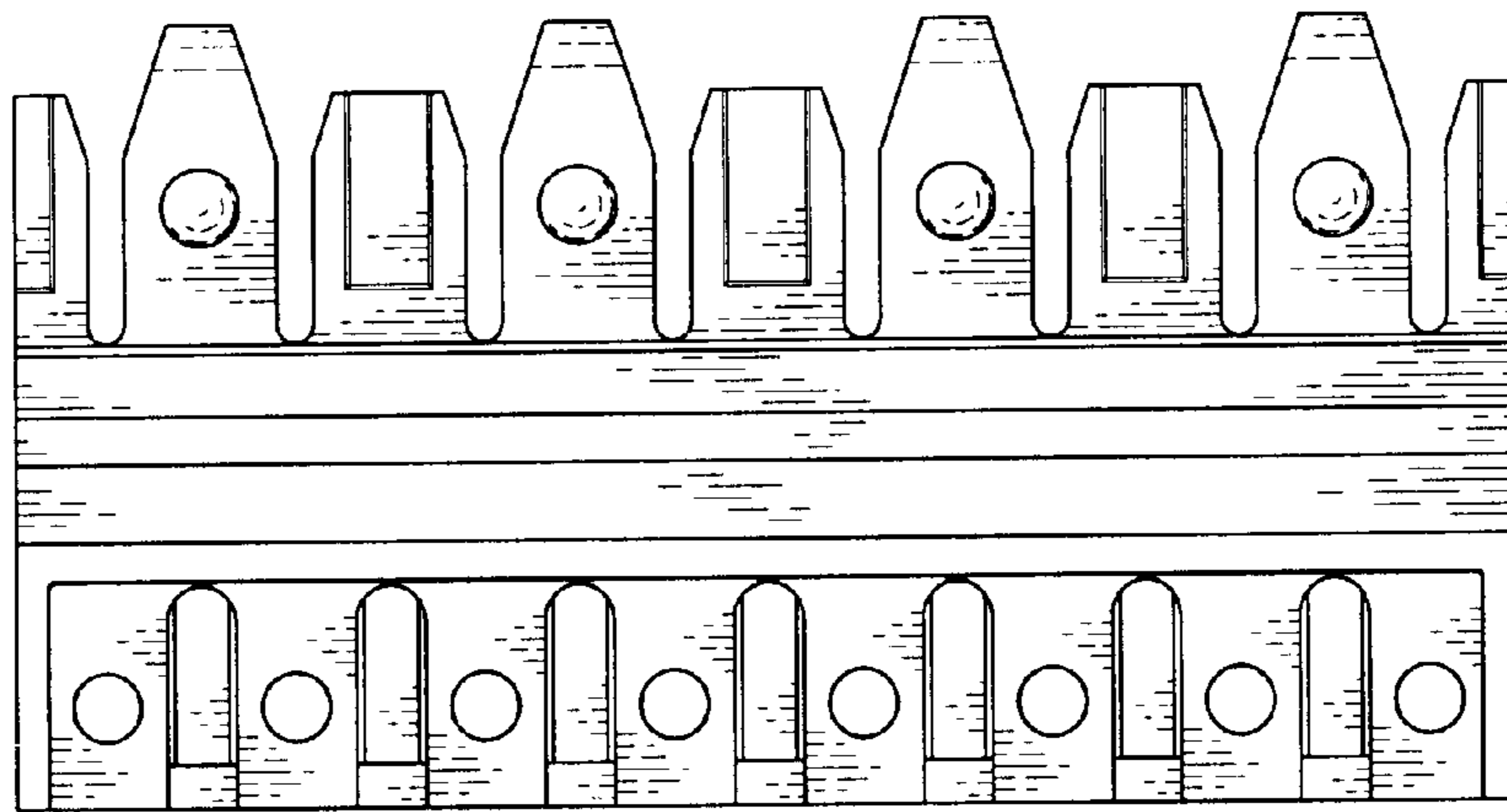


Fig. 2

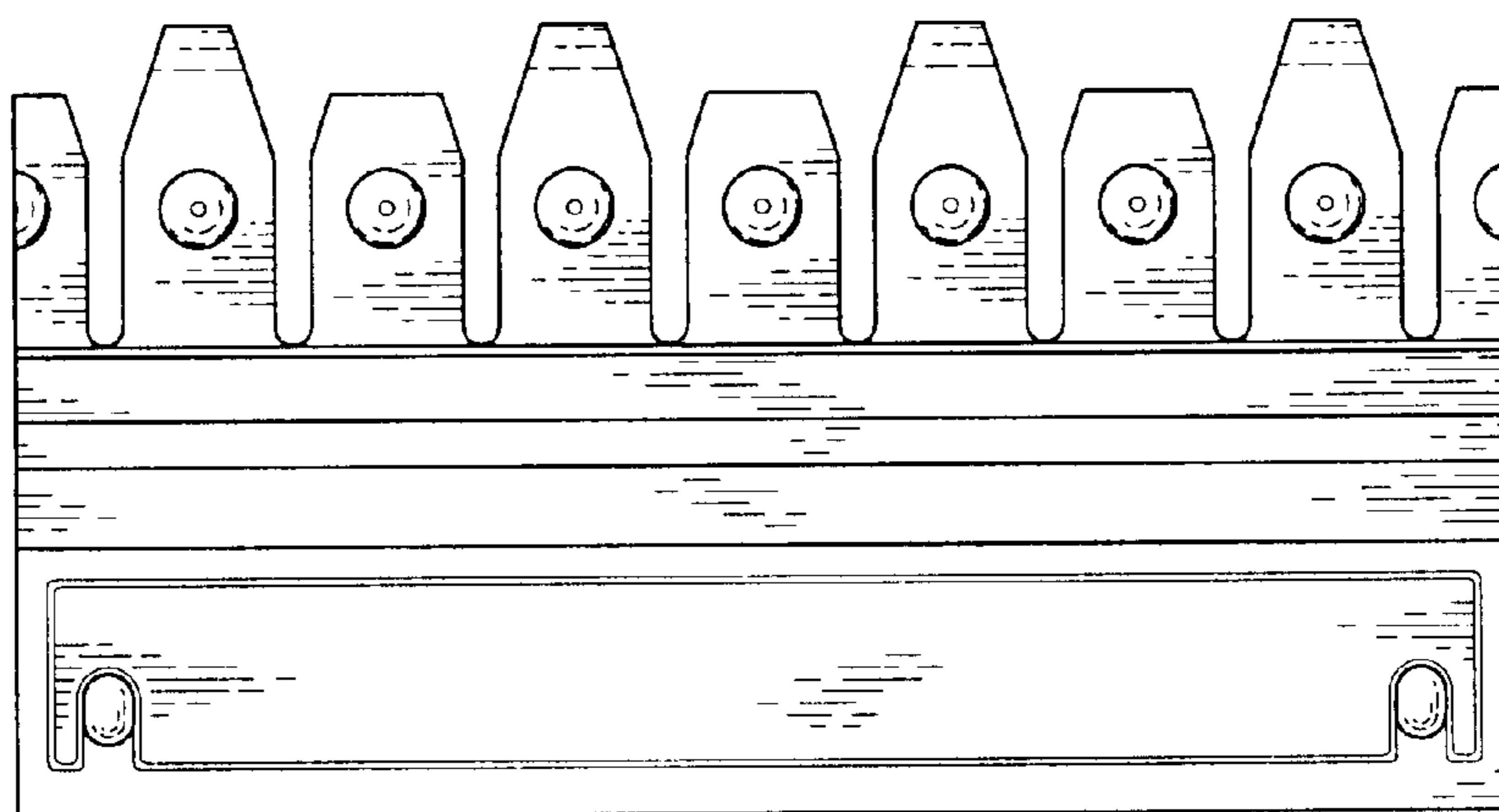


Fig. 3

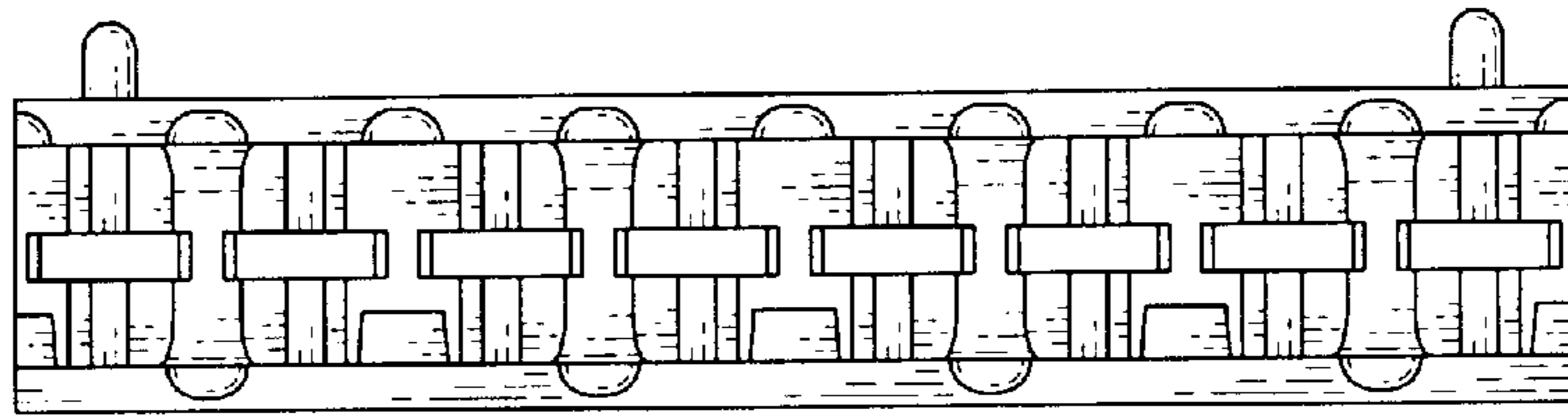


Fig. 4

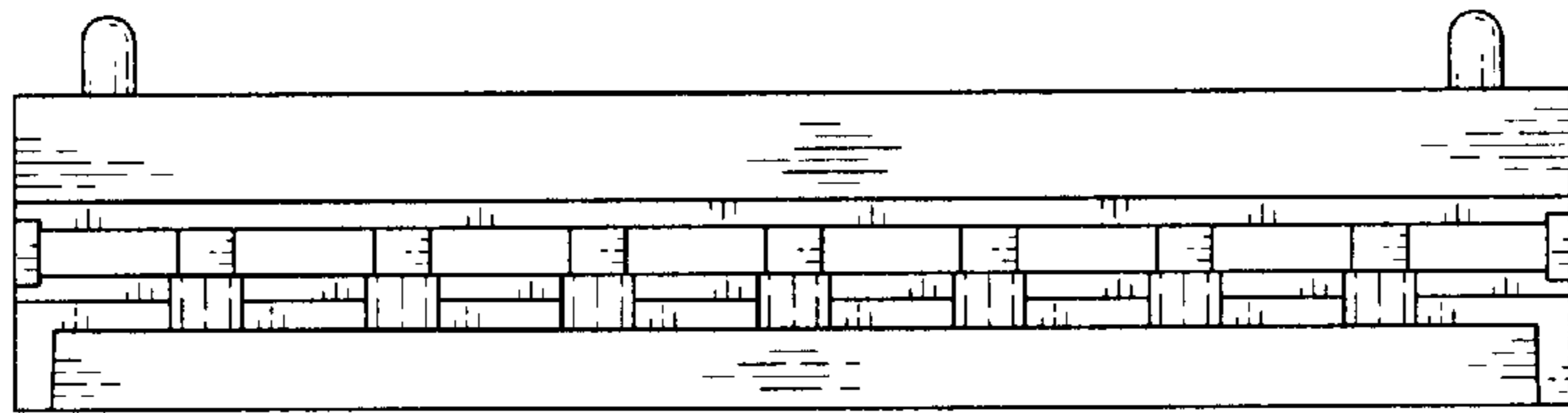


Fig. 5

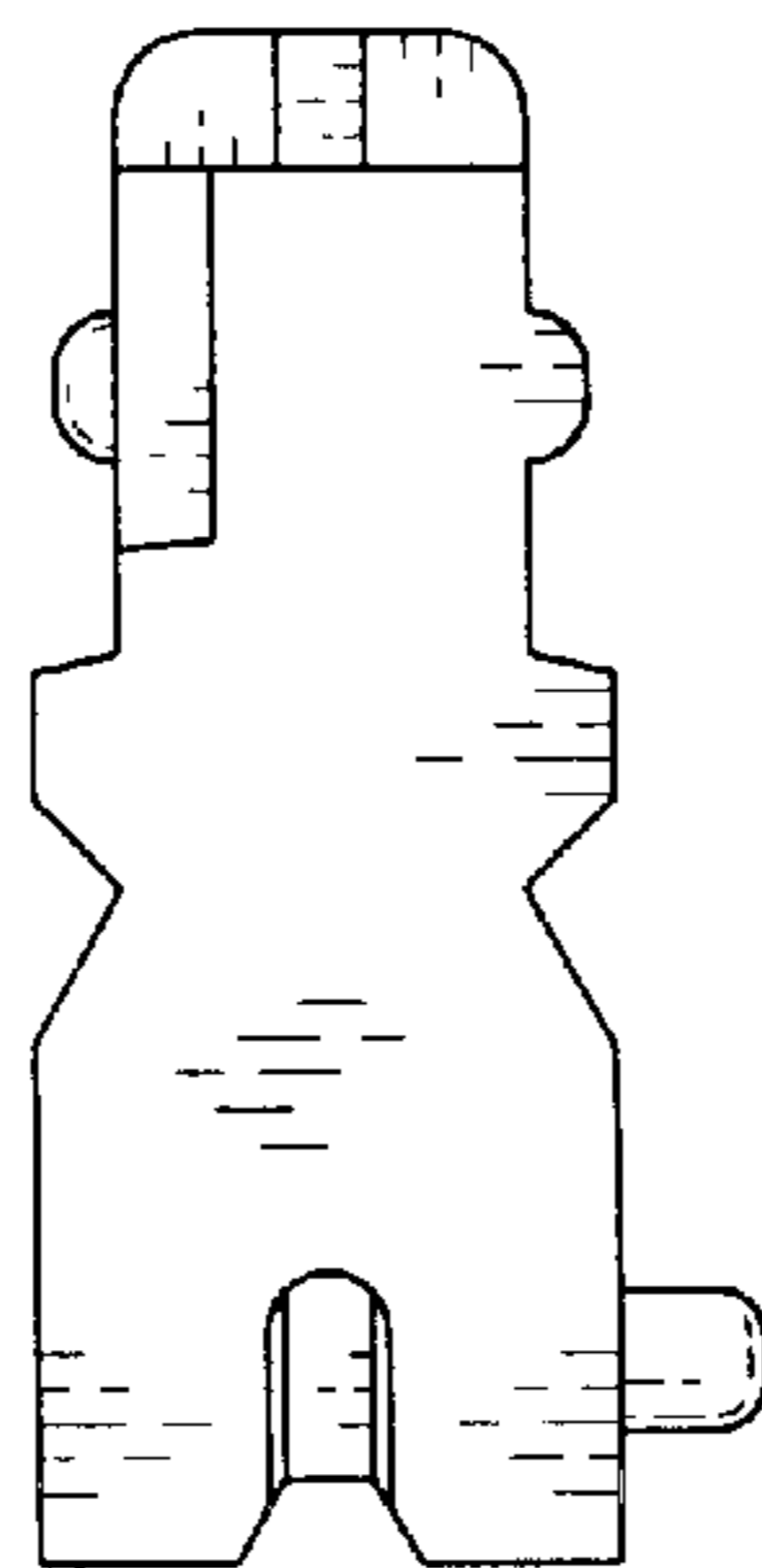


Fig. 6